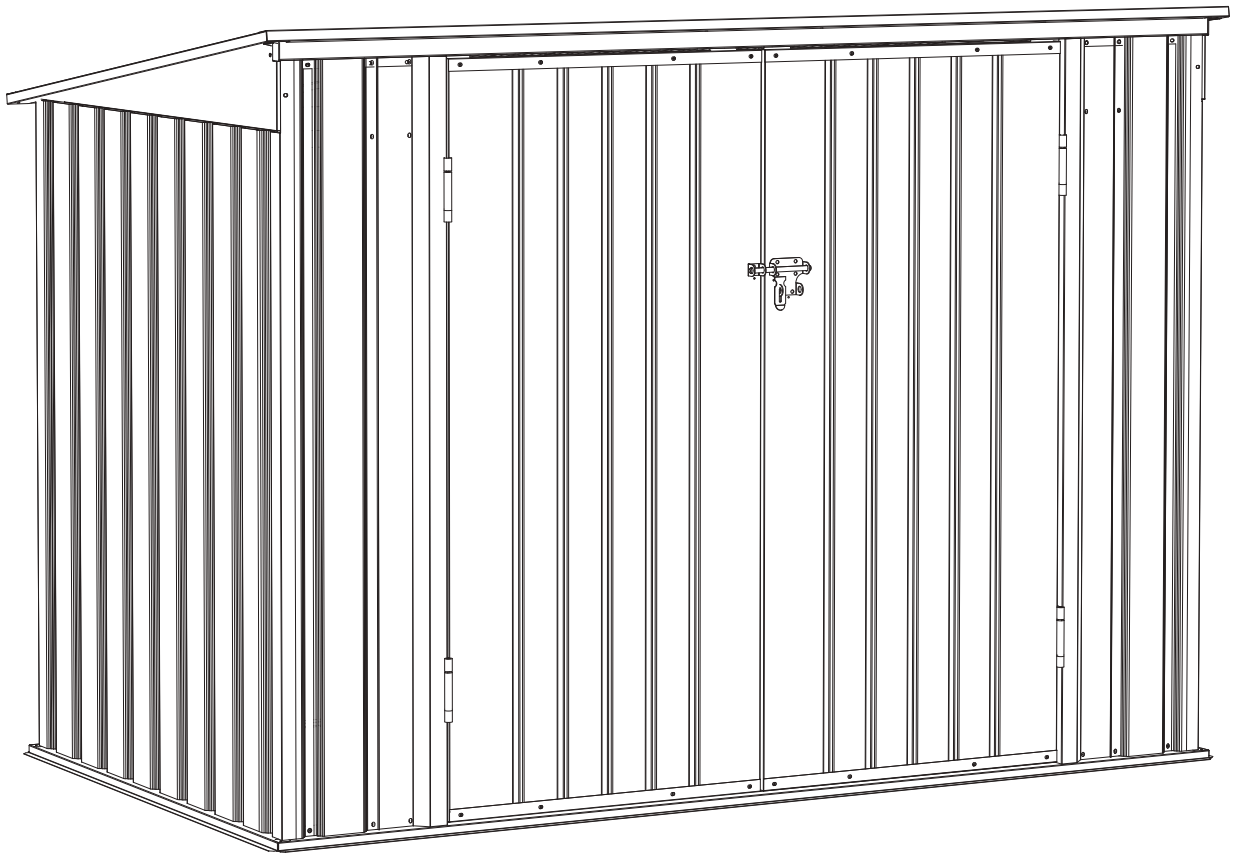


ASSEMBLY INSTRUCTIONS

METAL STORAGE SHED

SKU: T-PS22-0080-BK



E-mail:
hofficeservice@gmail.com



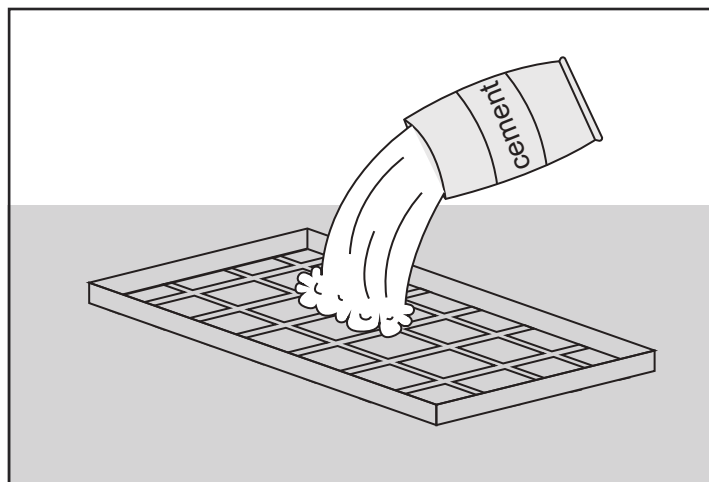
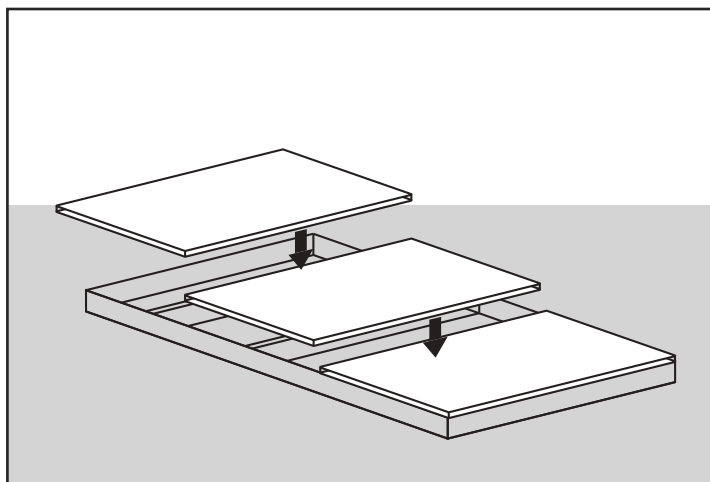
Be careful to wear gloves to prevent cuts.

SITE PREPARATION

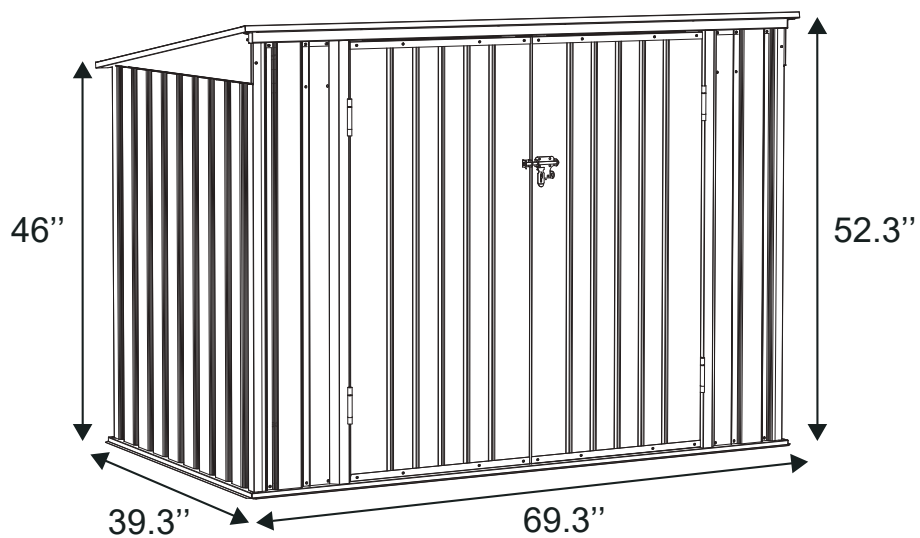
Level the ground surface.



Recommendation: Construct a wooden or concrete base as a foundation.



The external dimensions of the product :



BEFORE STARTING ASSEMBLY

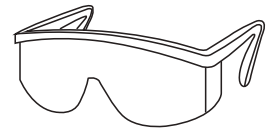
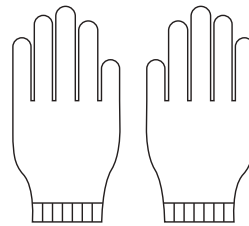
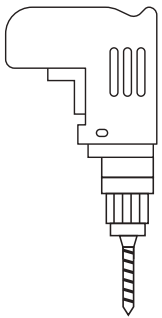
Remove all of the pieces from the package and spread them out on the ground. Before installation, please check the type and quantity of parts first.

It is recommended to use a clean work surface to spread the parts out and for pre-assembly steps. Review all instructions before you begin, continue to refer to instructions during assembly.

Be sure to follow all steps thoroughly.

Please prepare these components in advance at the beginning of each stage.

REQUIRED TOOLS



CAUTION


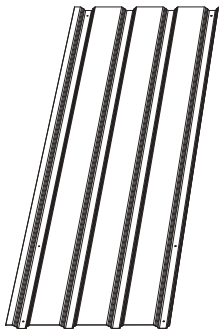

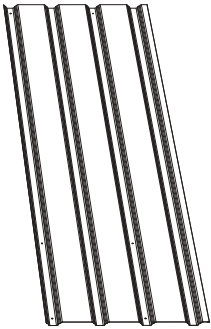


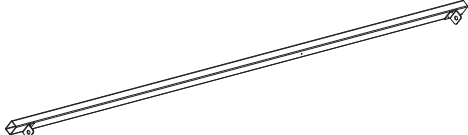
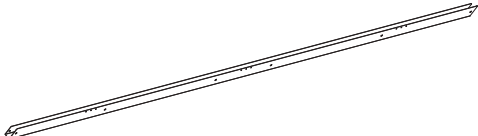
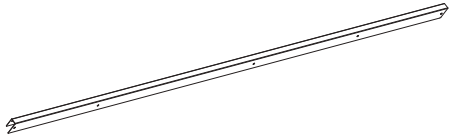
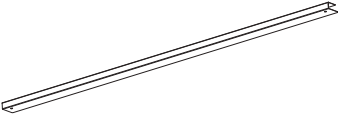

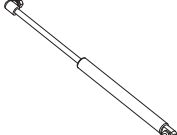


Some parts have steel edges. Please be careful when handling components. Always wear work gloves, eye protection and long sleeves when assembling or performing any maintenance on your shed. Do not attempt assembly on days with strong winds or low temperatures.




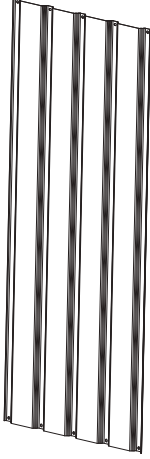




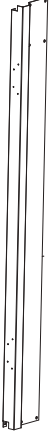





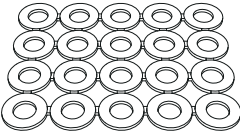
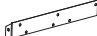



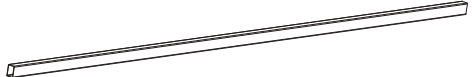

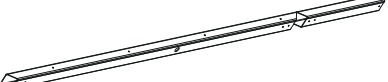


Requires two people and takes 2-3 hours for Installation. Recommended to wear gloves to avoid scratches. Please read the manual carefully before installation.

**DO NOT RETURN YOUR UNIT
TO THE STORE**
Contact us first
hofficeservice@gmail.com

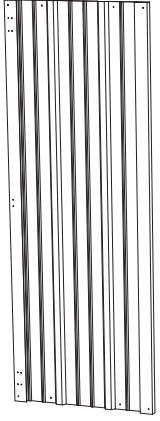
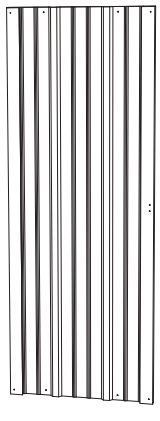


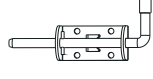

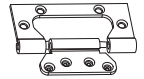



ROOF PARTS

<p>P5 X2</p> 	<p>P6 X1</p> 	<p>P7 X1</p> 
<p>P8 X1</p> 	<p>21L X1</p> 	<p>21R X1</p> 
<p>8 X1</p> 	<p>15 X1</p> 	
<p>16 X1</p> 	<p>18 X2</p> 	
<p>B1 X2</p> 	<p>G3 X2</p> 	
<p>DK X3</p> 	<p>DJ X4</p> 	

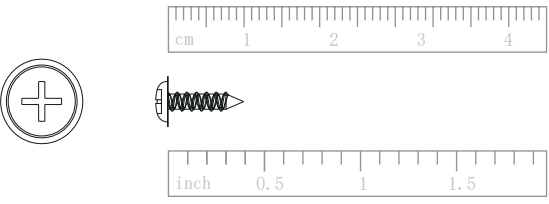
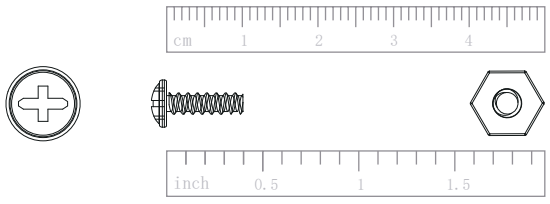
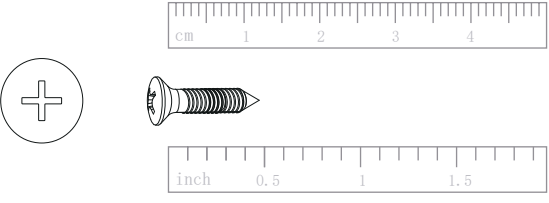
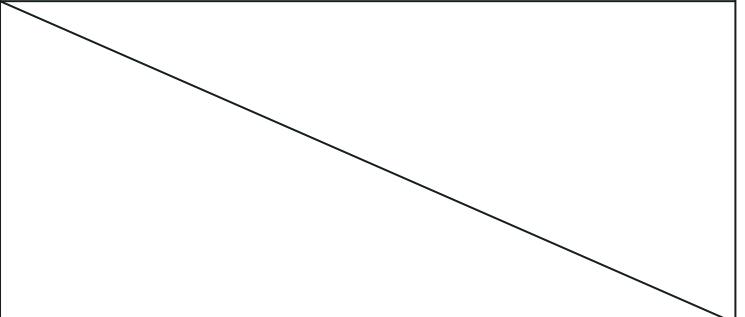
WALL PARTS

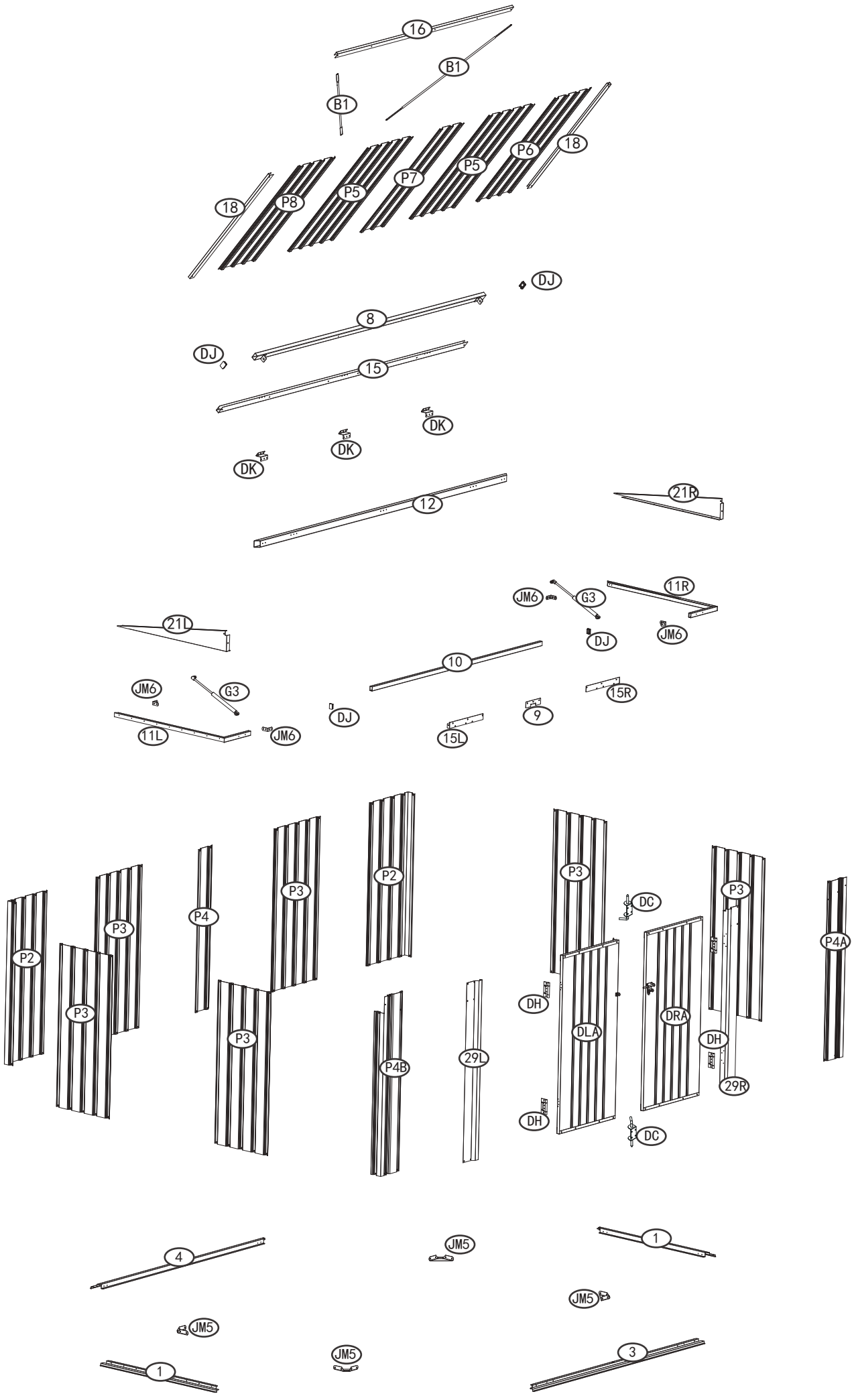
 <p>P2 X2</p>	 <p>P3 X6</p>	 <p>P4 X1</p>	 <p>P4B X1</p>
 <p>P4A X1</p>	 <p>29L X1</p>	 <p>29R X1</p>	 <p>JM5 X4</p>
			 <p>JM6 X4</p>
			 <p>9 X1</p>
			 <p>15R X1</p>
 <p>1 X2</p>	 <p>V2 X185</p>		 <p>15L X1</p>
 <p>3 X1</p>			<p>Please see page 27.</p>  <p>S1 X50</p>
 <p>4 X1</p>	 <p>10 X1</p>		
 <p>11L X1</p>	 <p>11R X1</p>		
 <p>12 X1</p>			

DOOR PARTS

 <p>DLA X1</p>	 <p>DRA X1</p>	 <p>20U X2</p>	 <p>20D X2</p>
		 <p>DC X2</p>	 <p>DG X1</p>
		 <p>DH X4</p>	 <p>DF X1</p>
 <p>DX2 X4</p>	 <p>M8 X2</p>		

SCREW

 <p>F1(X235) M4*10</p>	 <p>F2(X10) M4*10</p>
 <p>F3(X32) M5*12</p>	

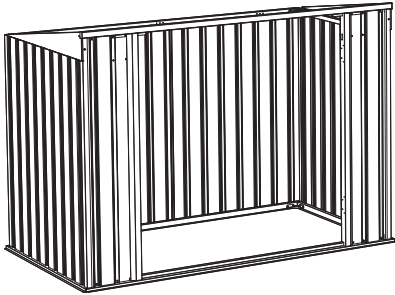


CONTENTS



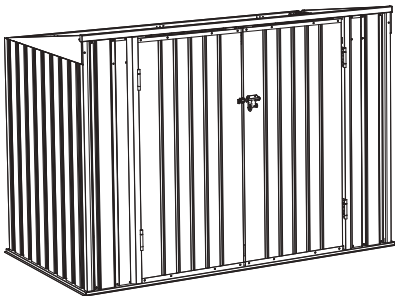
Bottom frame

09-10
(page)



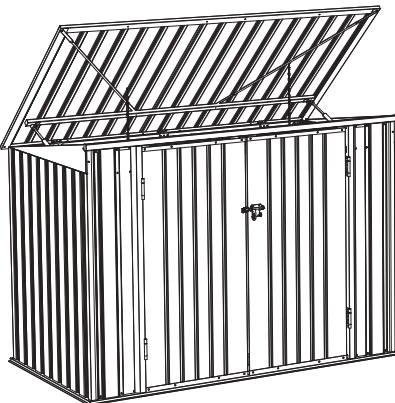
Wall

11-19
(page)



Door

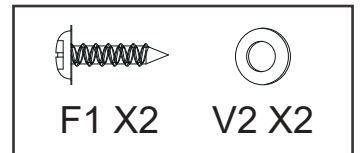
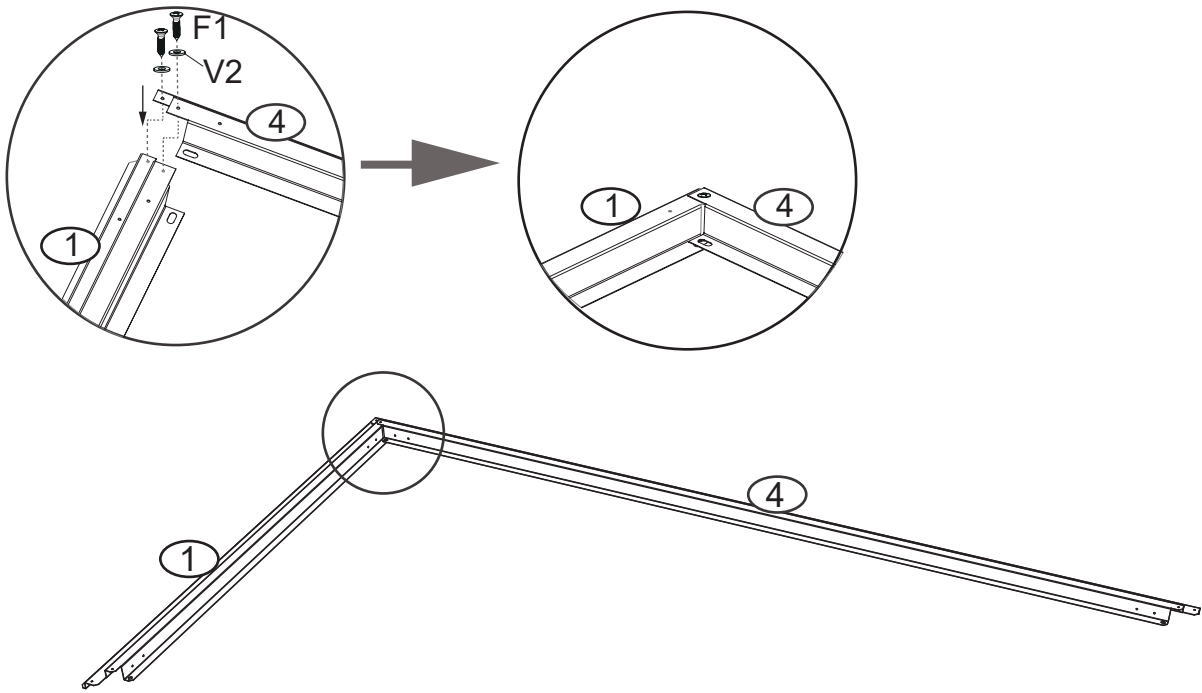
19-22
(page)



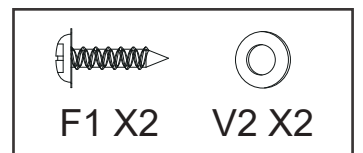
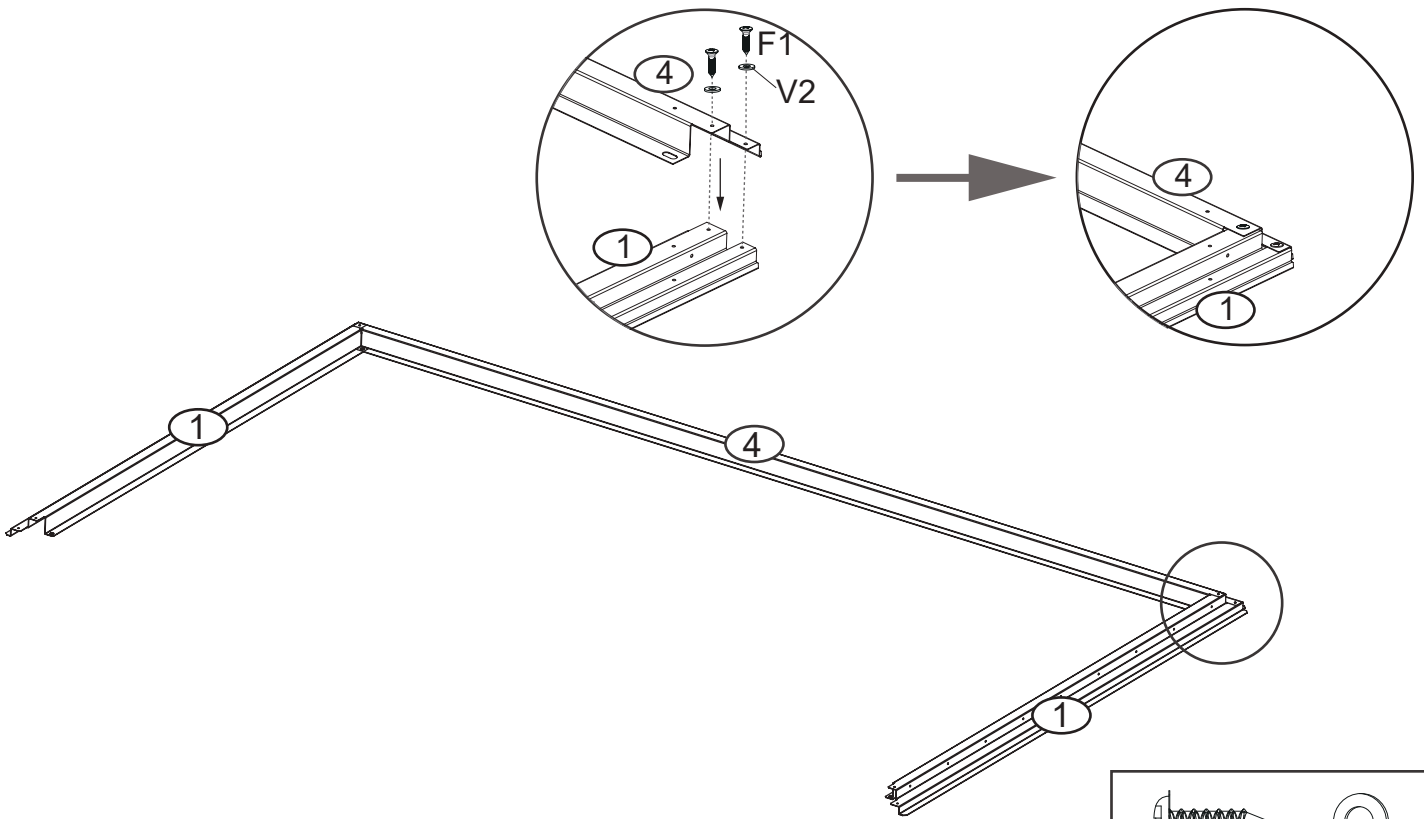
Roof

23-26
(page)

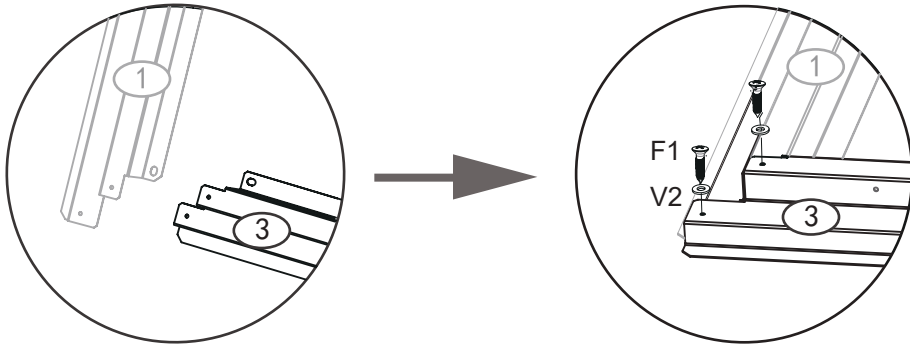
STEP 1



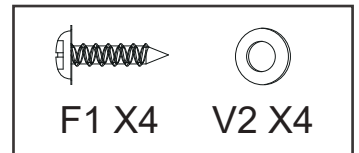
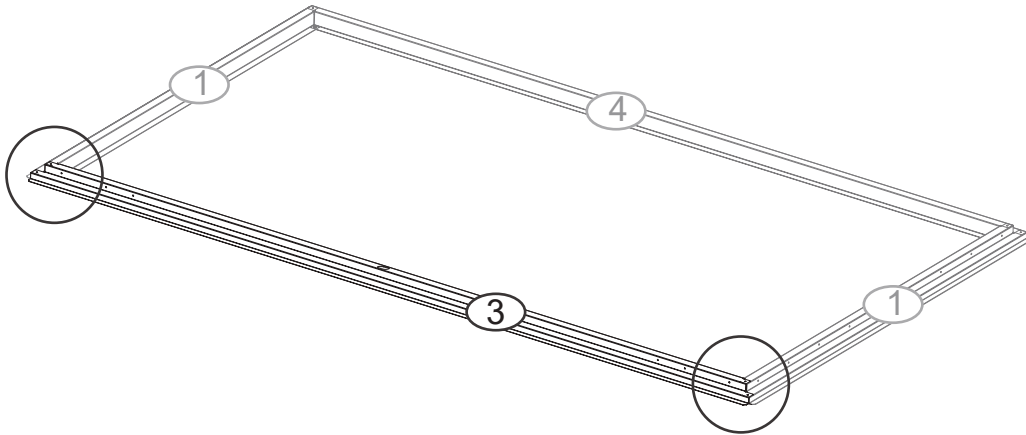
STEP 2



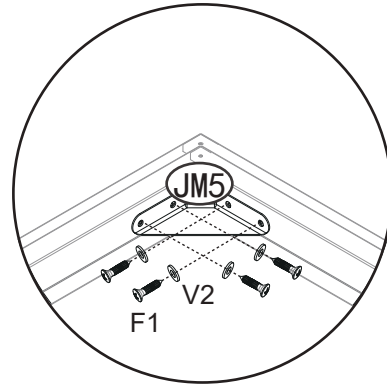
STEP 3



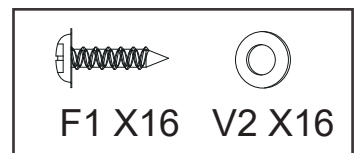
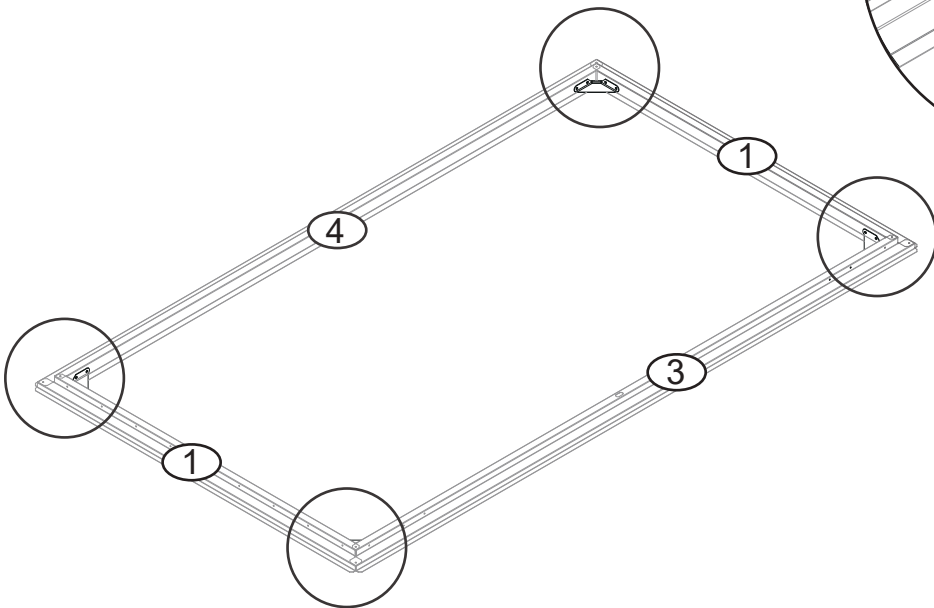
X2



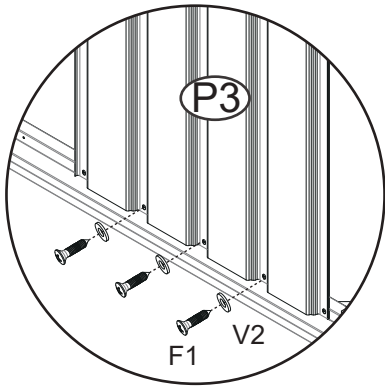
STEP 4



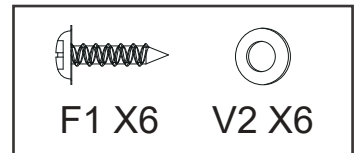
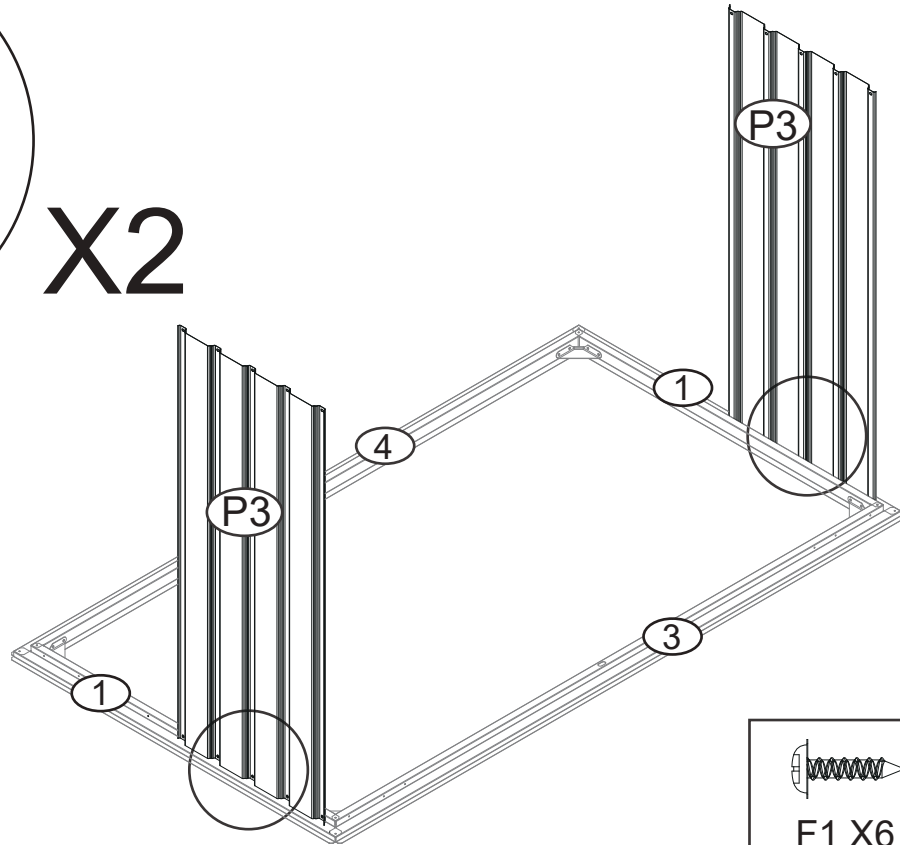
X4



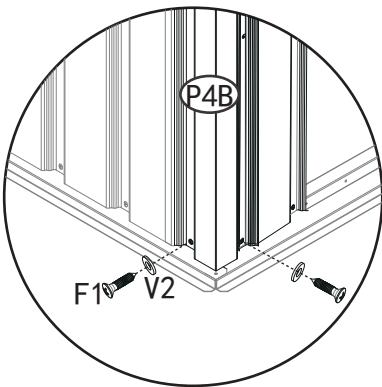
STEP 5



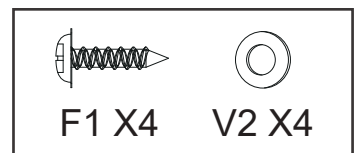
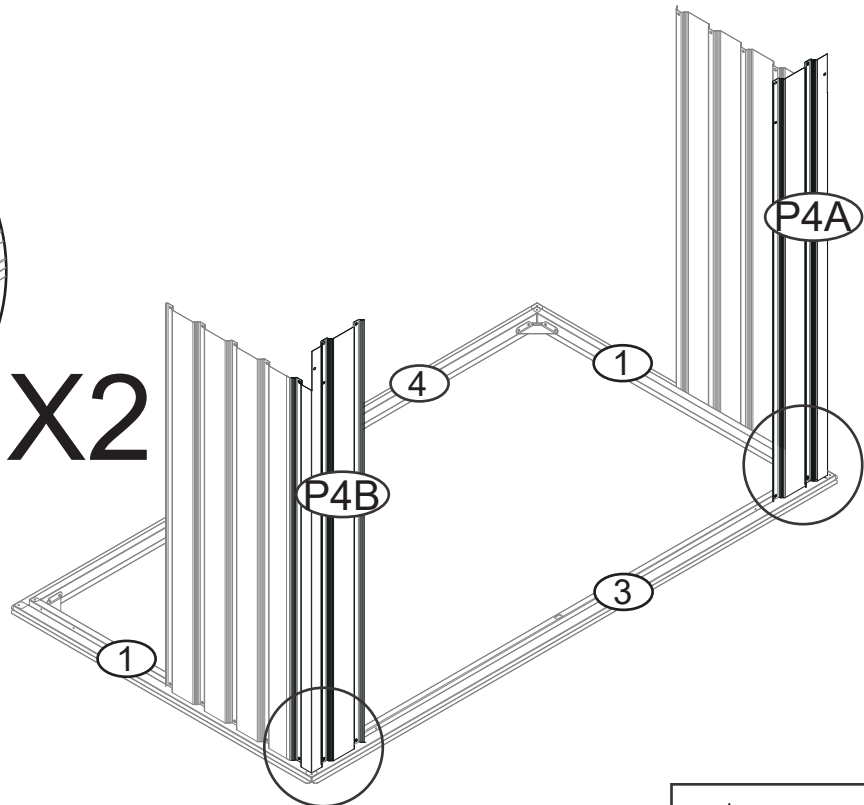
X2



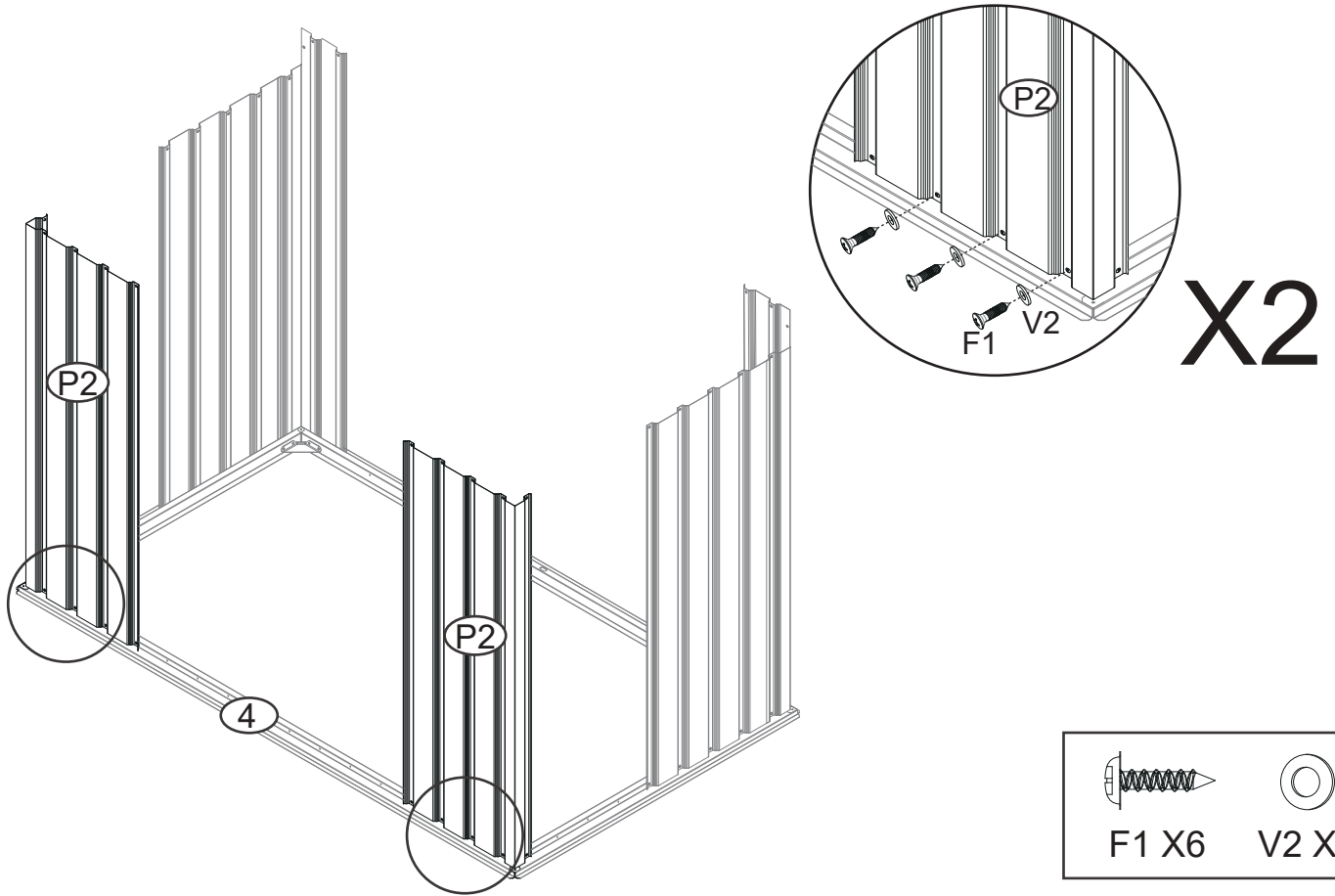
STEP 6



X2

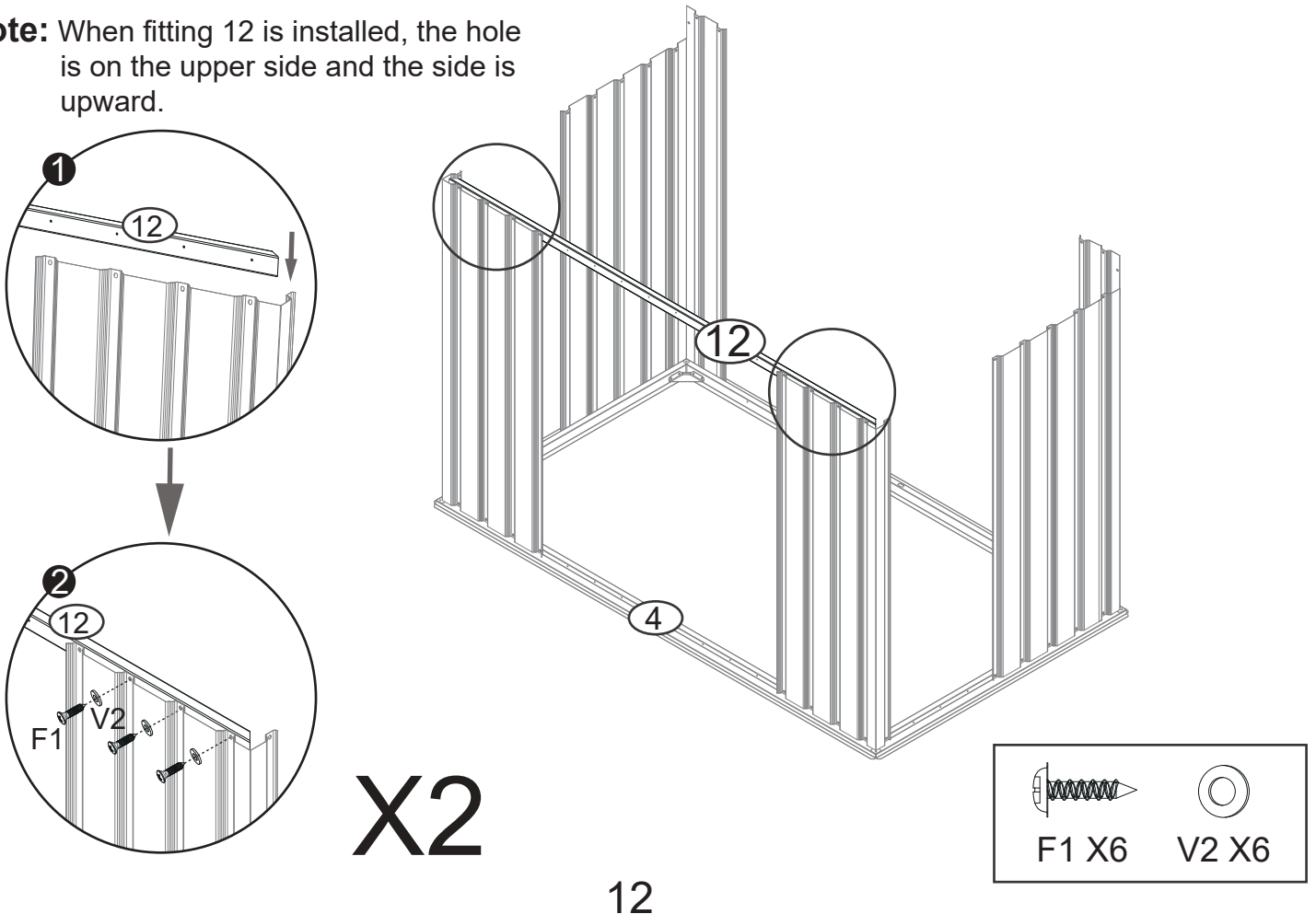


STEP 7

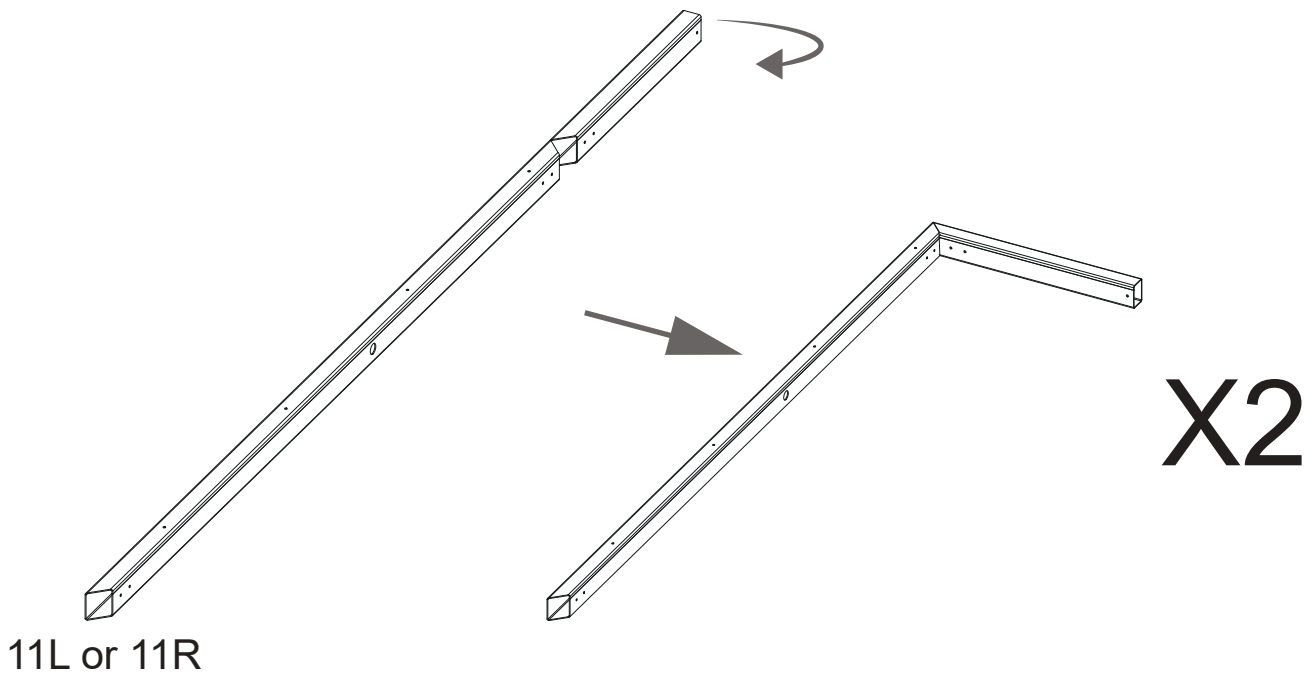


STEP 8

Note: When fitting 12 is installed, the hole is on the upper side and the side is upward.

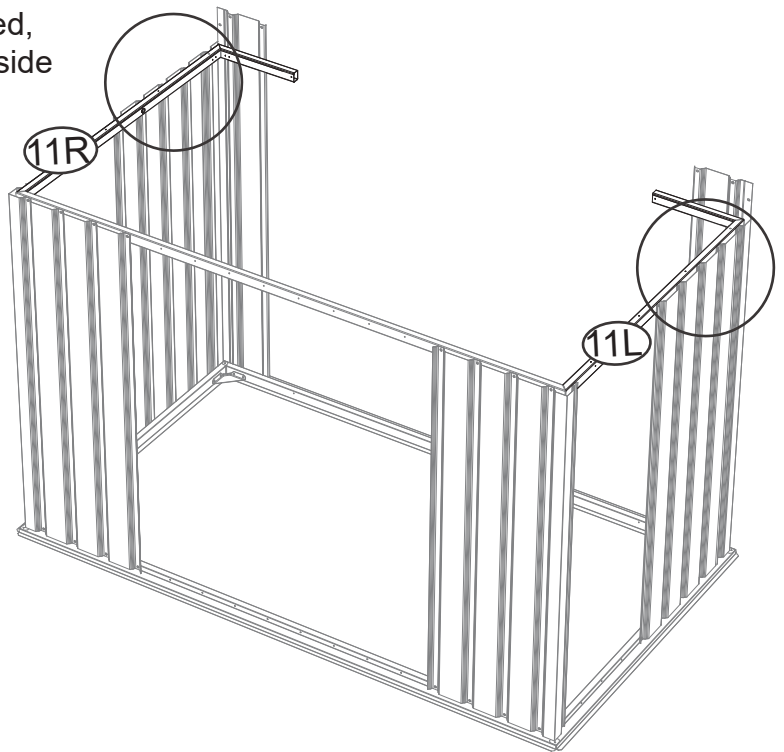
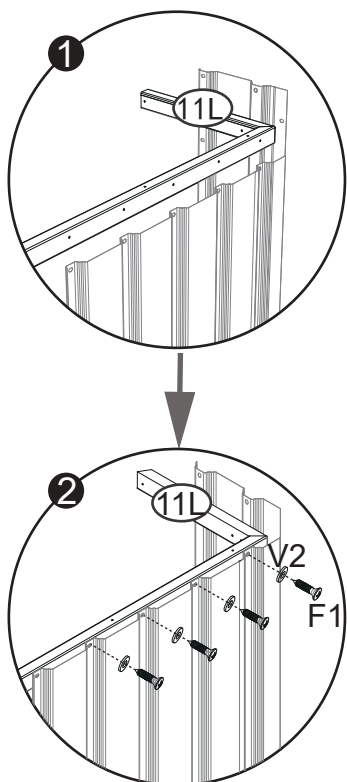


STEP 9

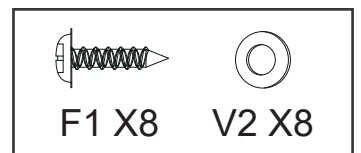


STEP 10

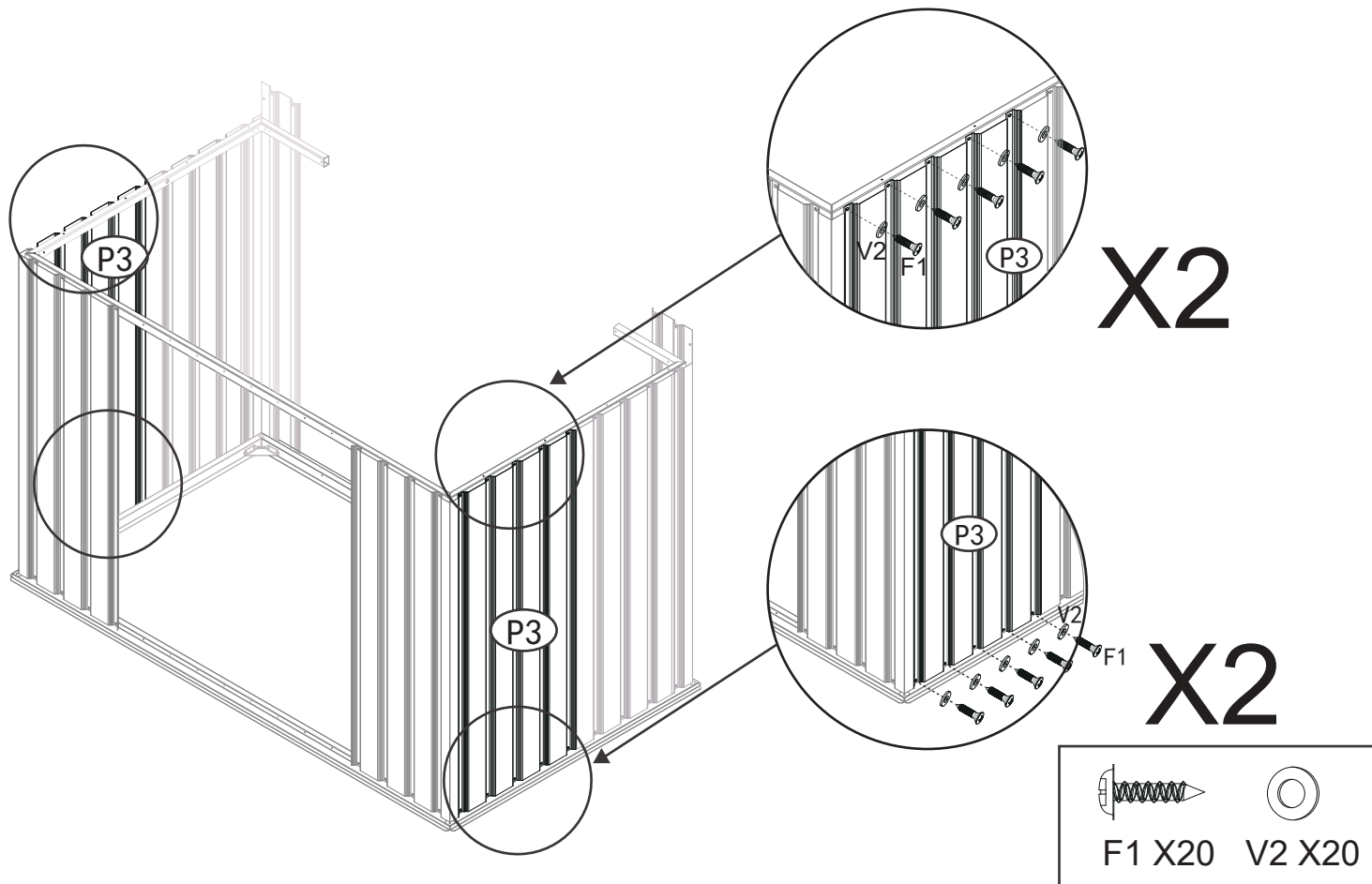
Note: When fitting 11R and 11L are installed, the hole position is upward and the side is upward.



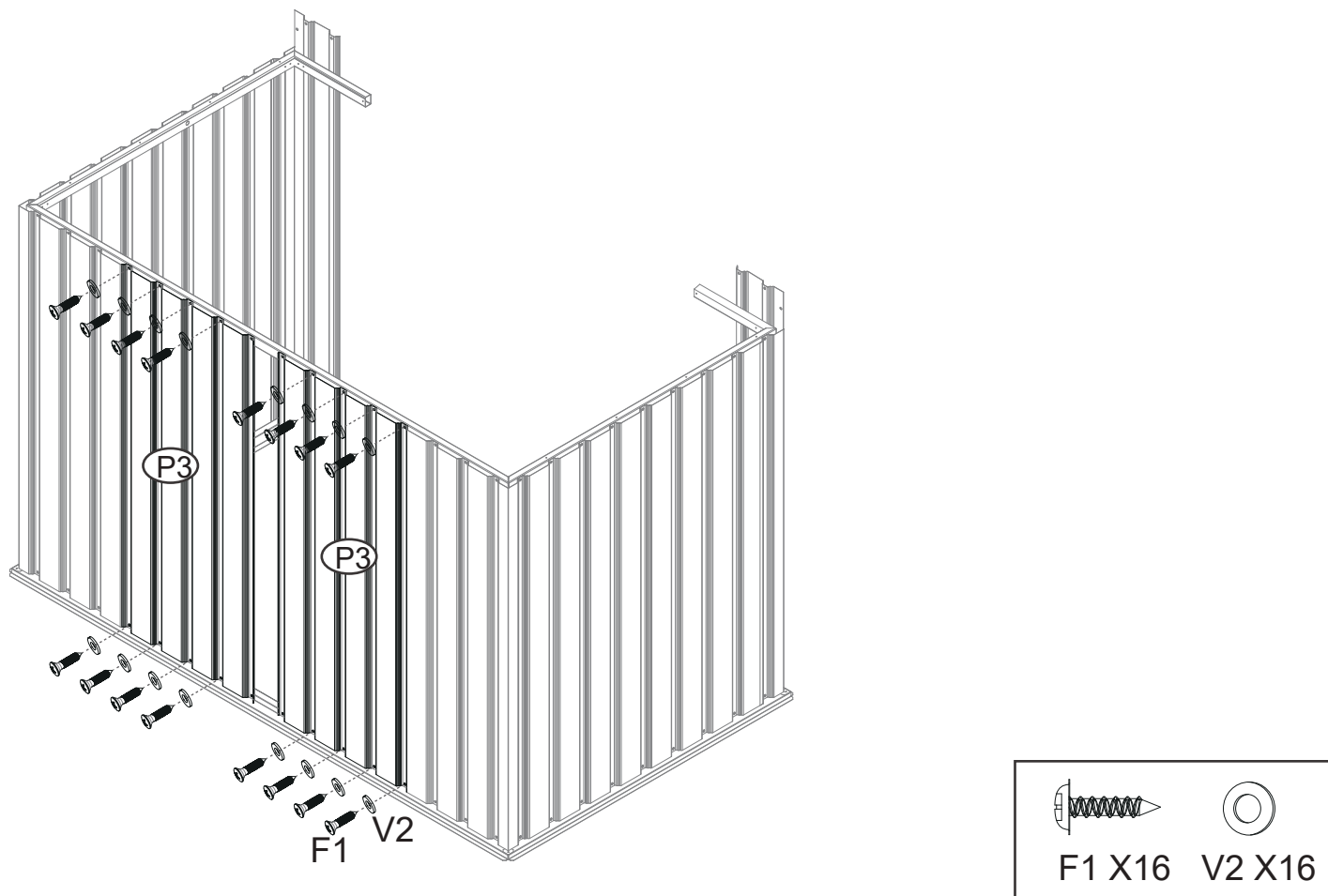
X2



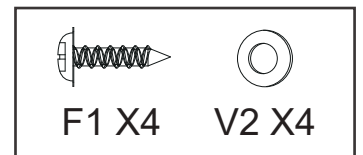
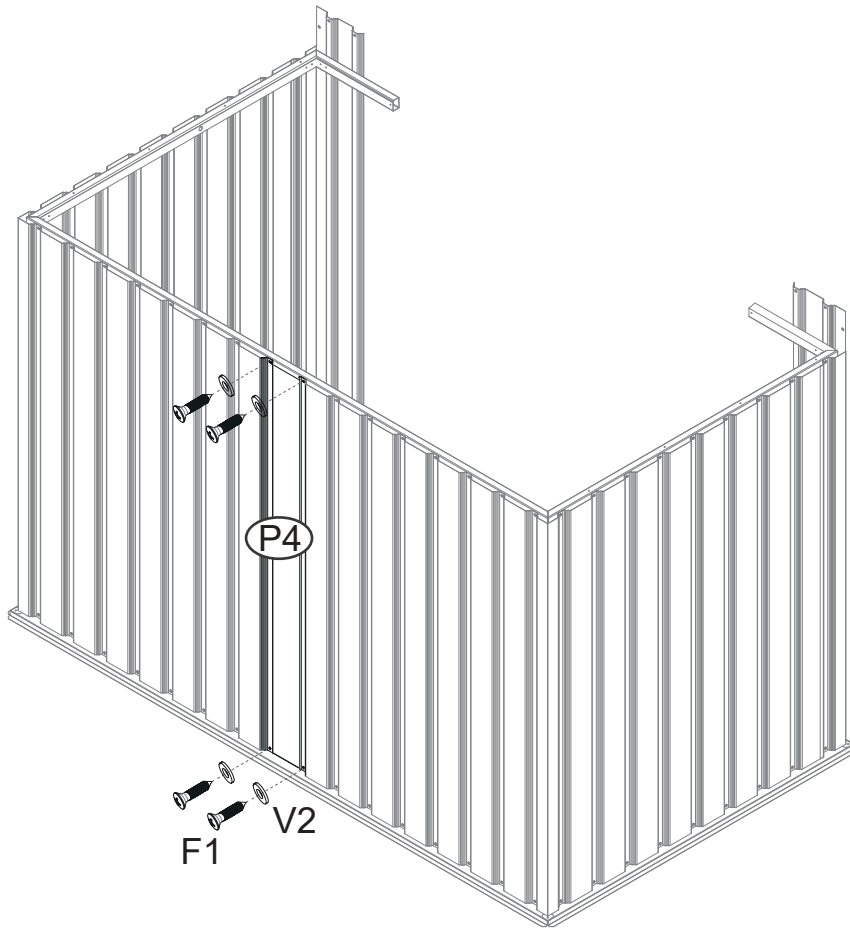
STEP 11



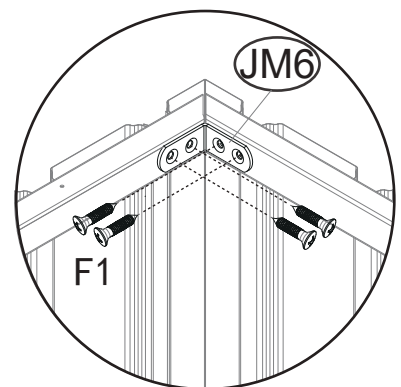
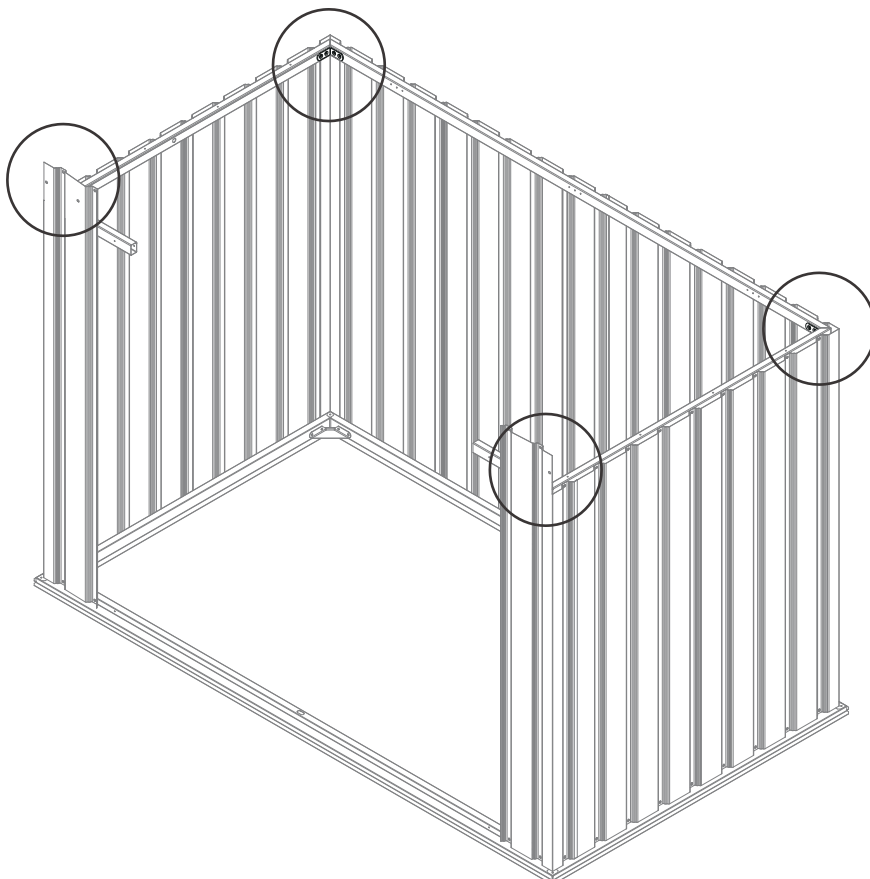
STEP 12



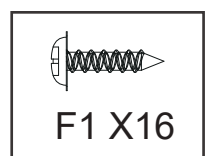
STEP 13



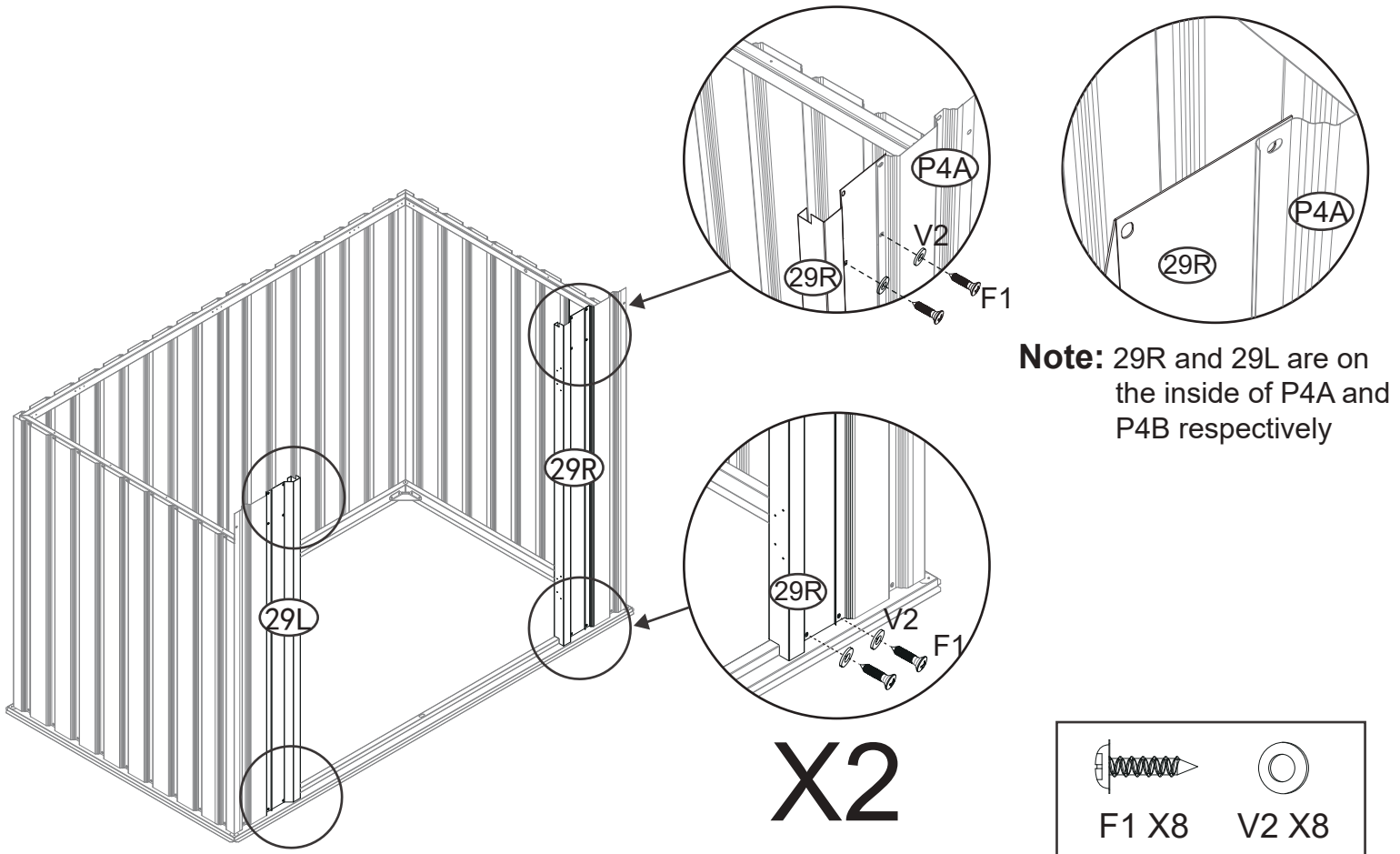
STEP 14



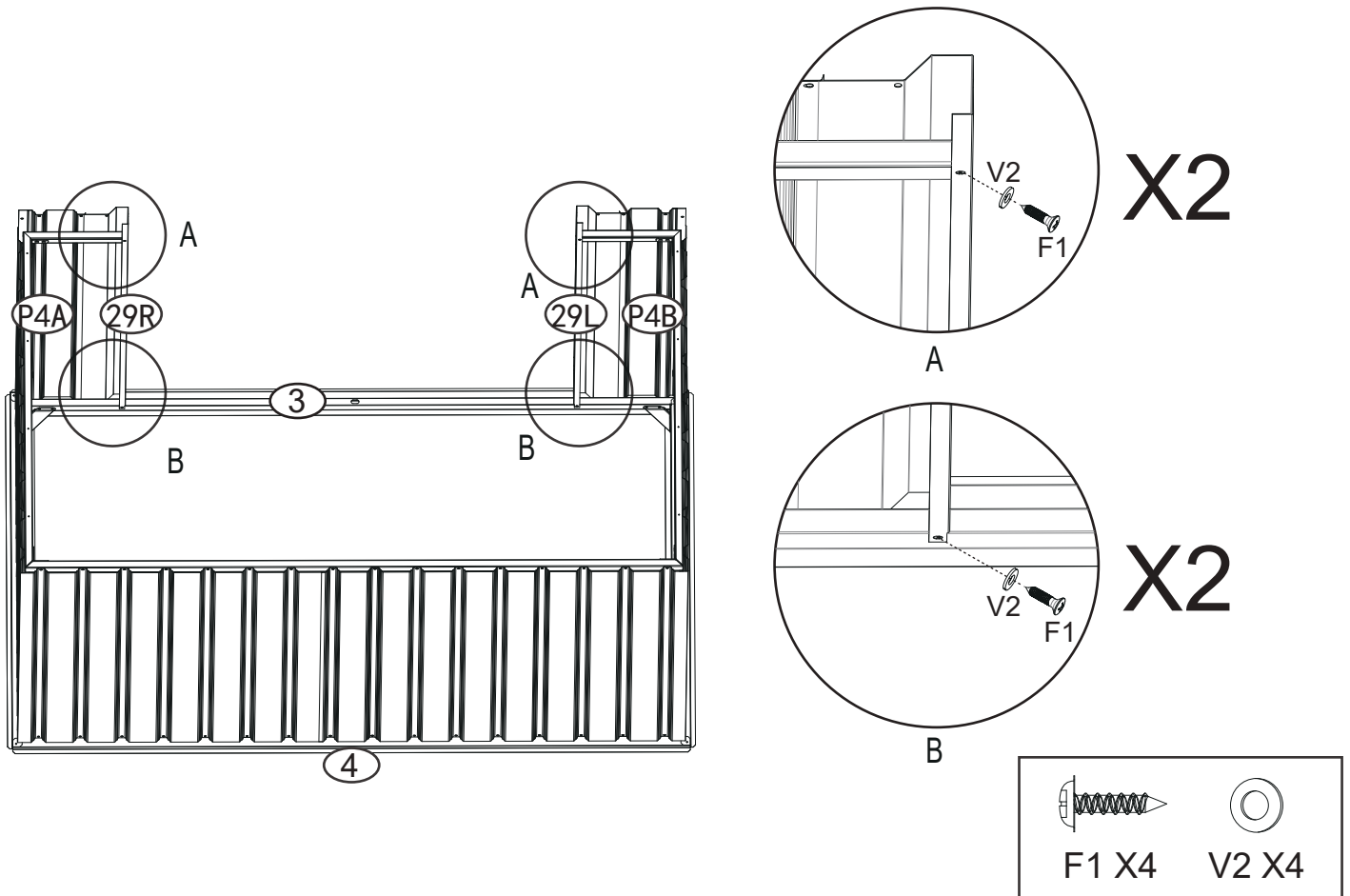
X4



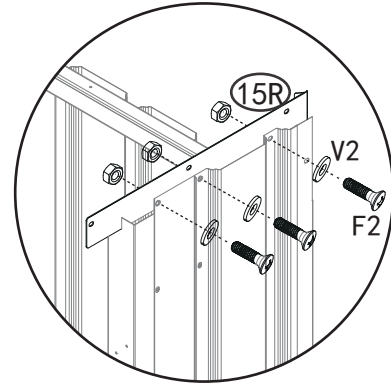
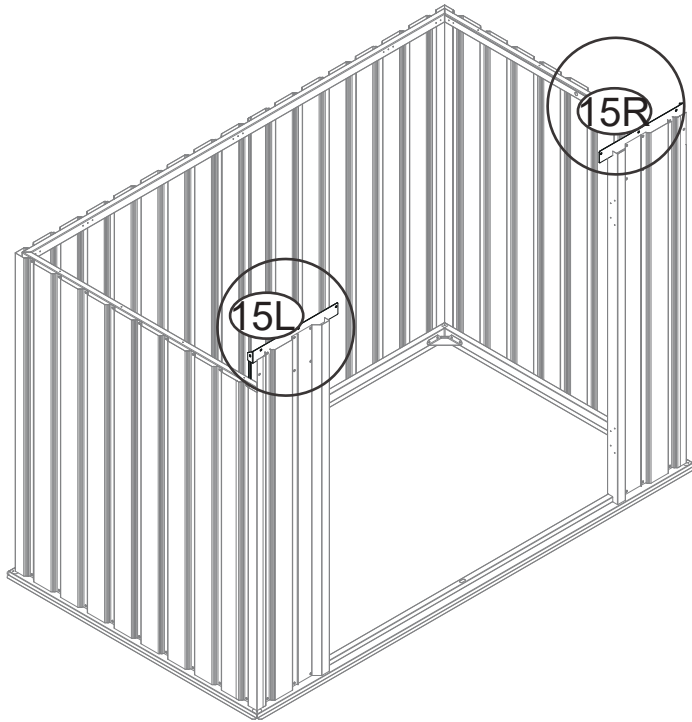
STEP 15



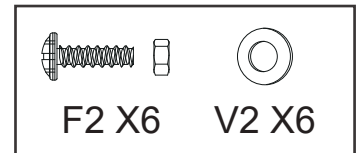
STEP 16



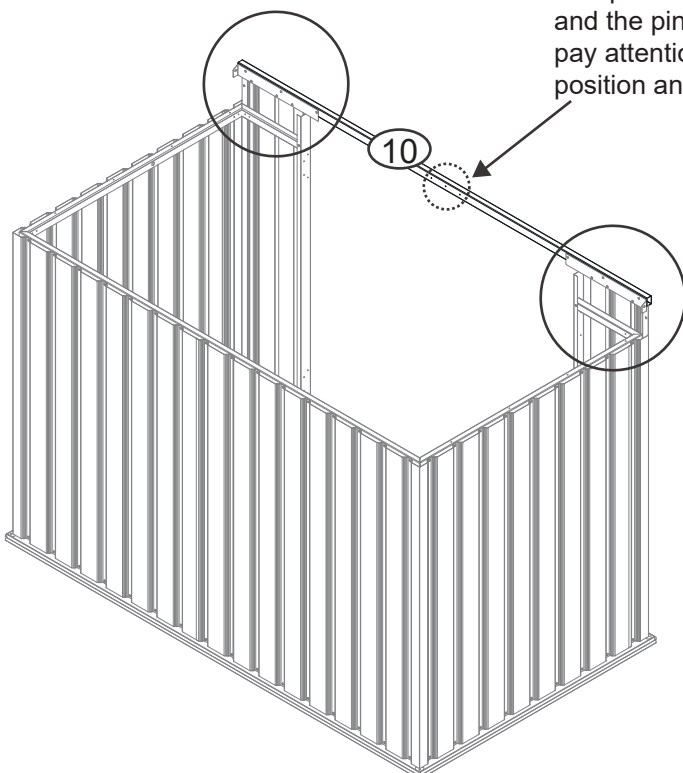
STEP 17



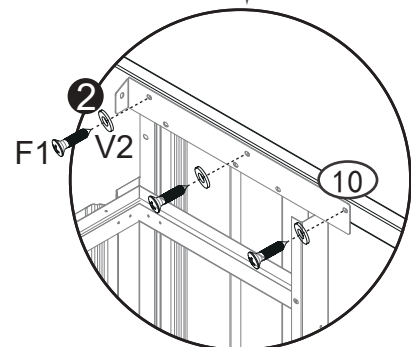
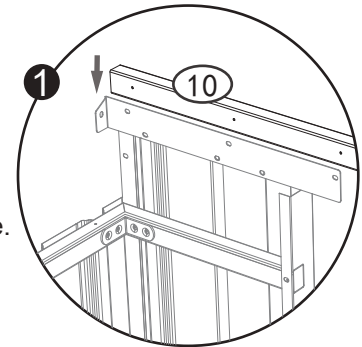
X2



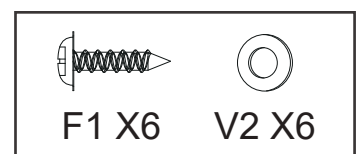
STEP 18



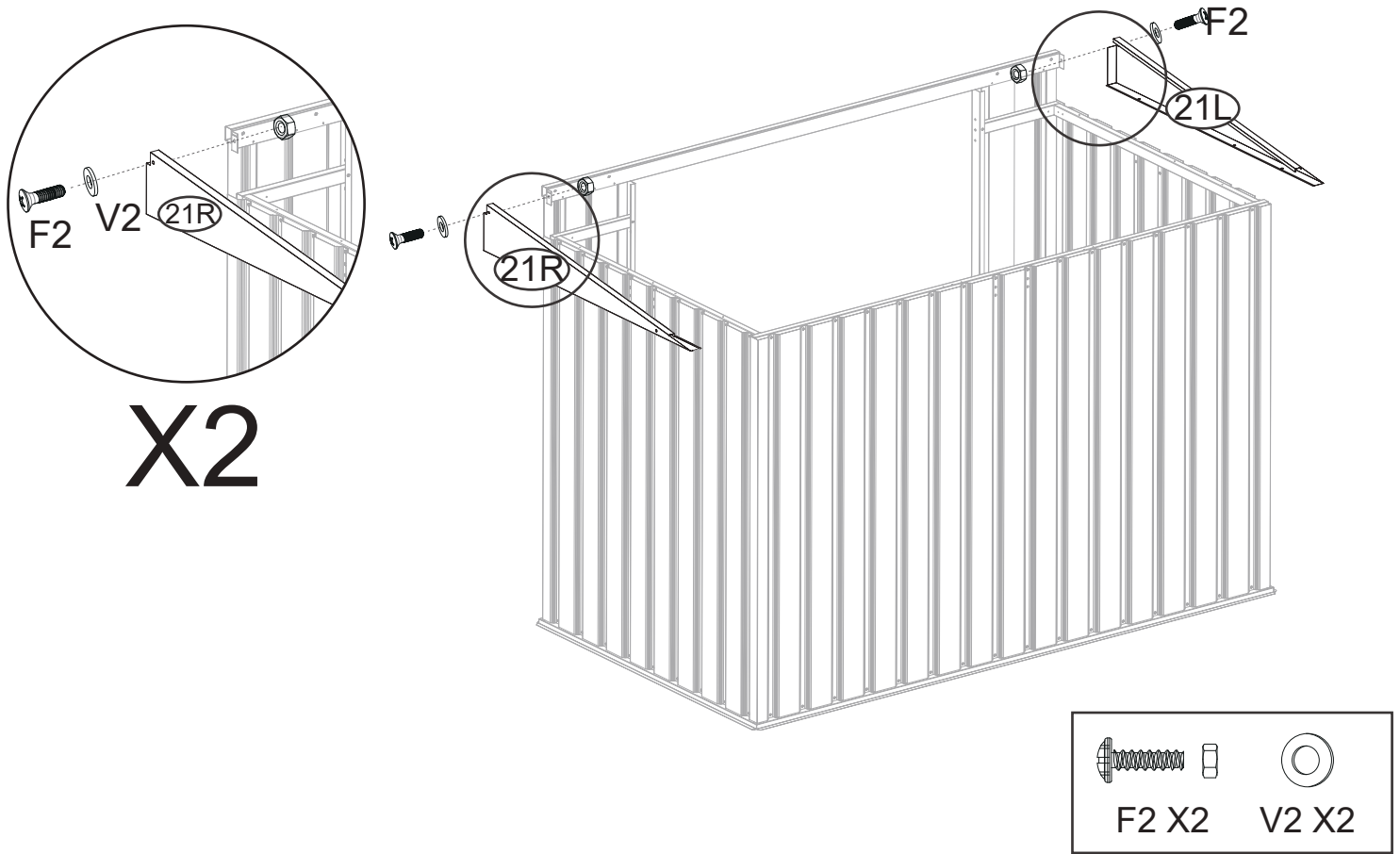
Note: The pin hole is on the left door, and the pin hole on 10 should pay attention to the installation position and incline to the left side.



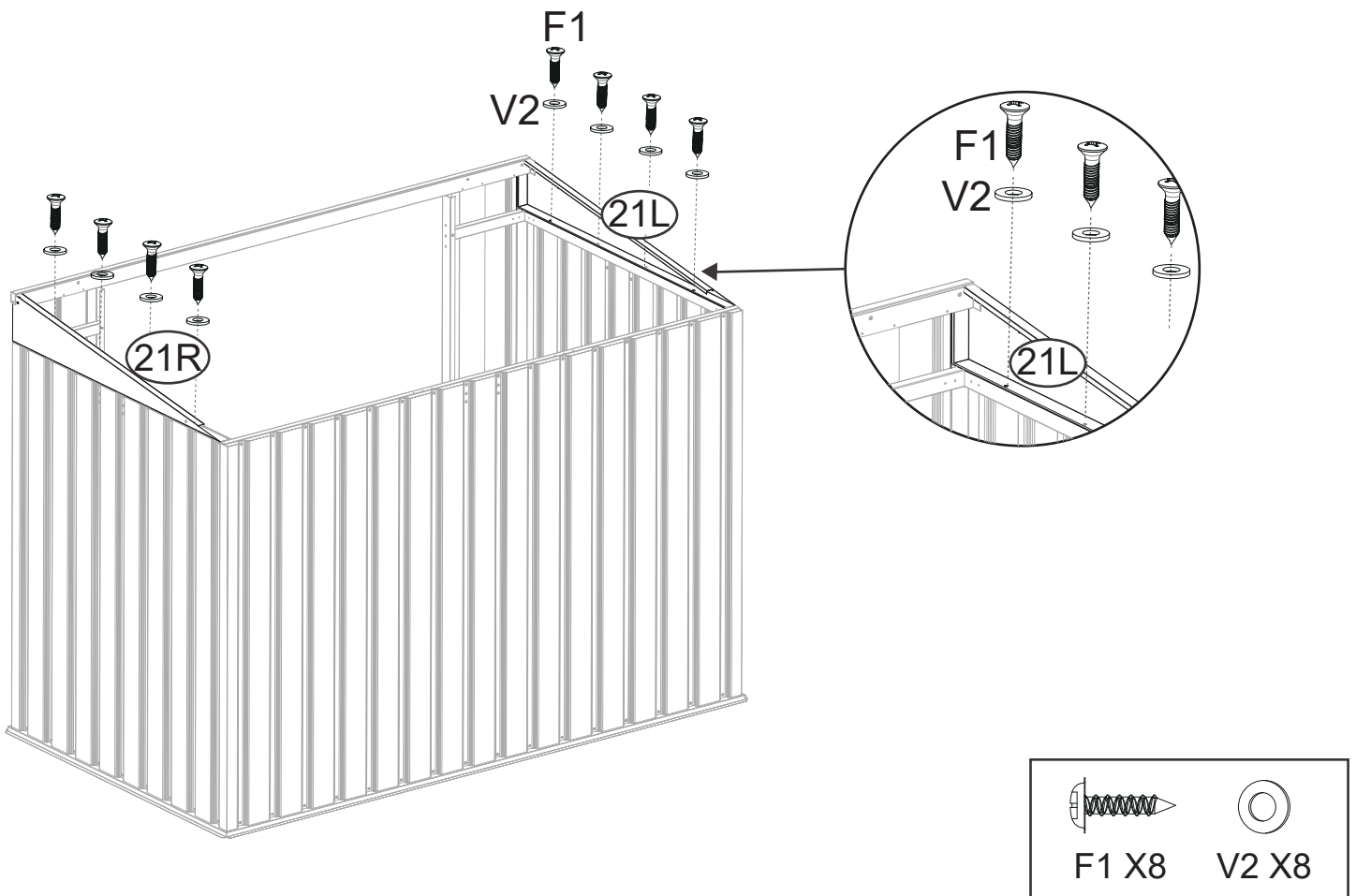
X2



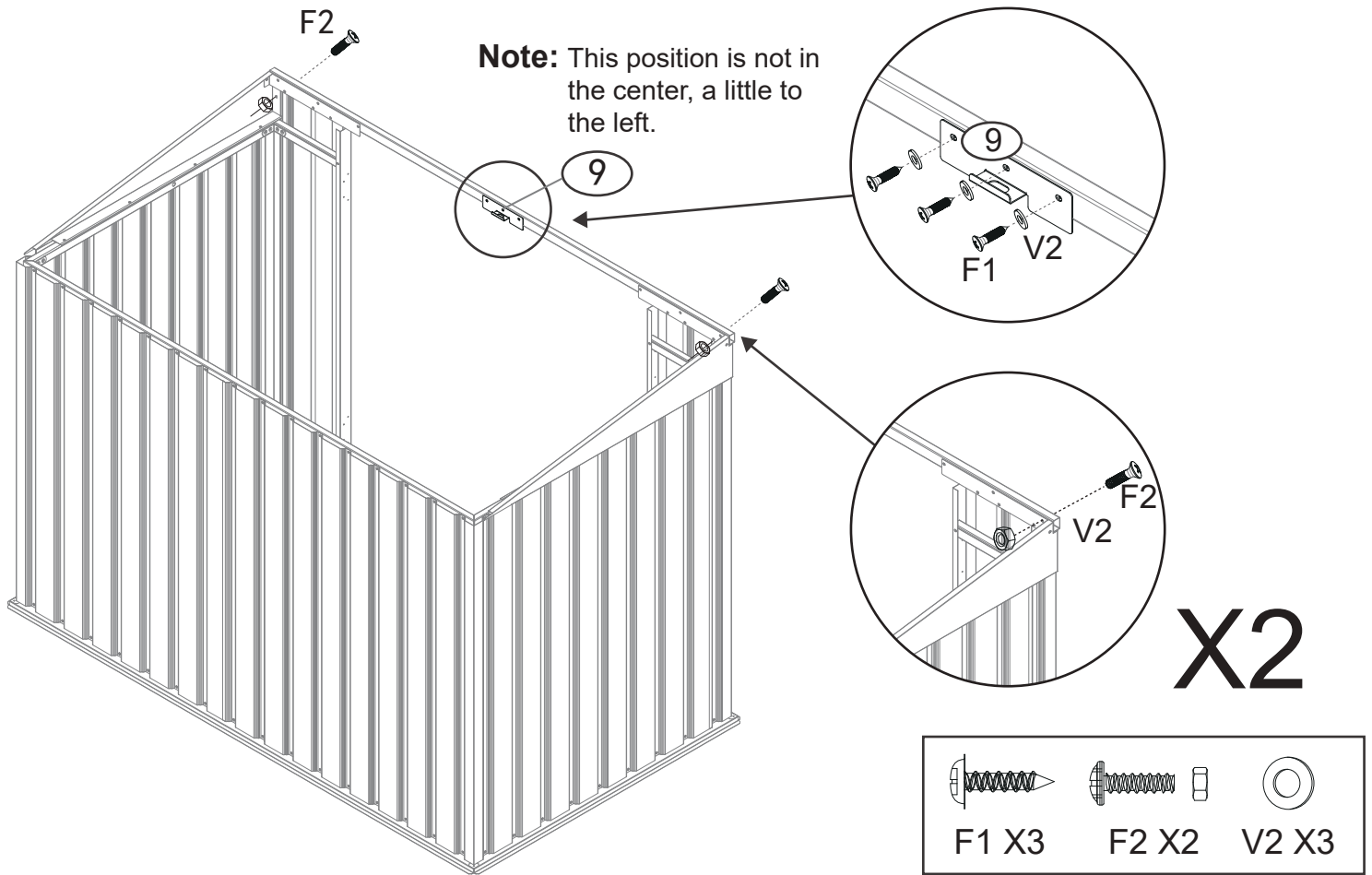
STEP 19



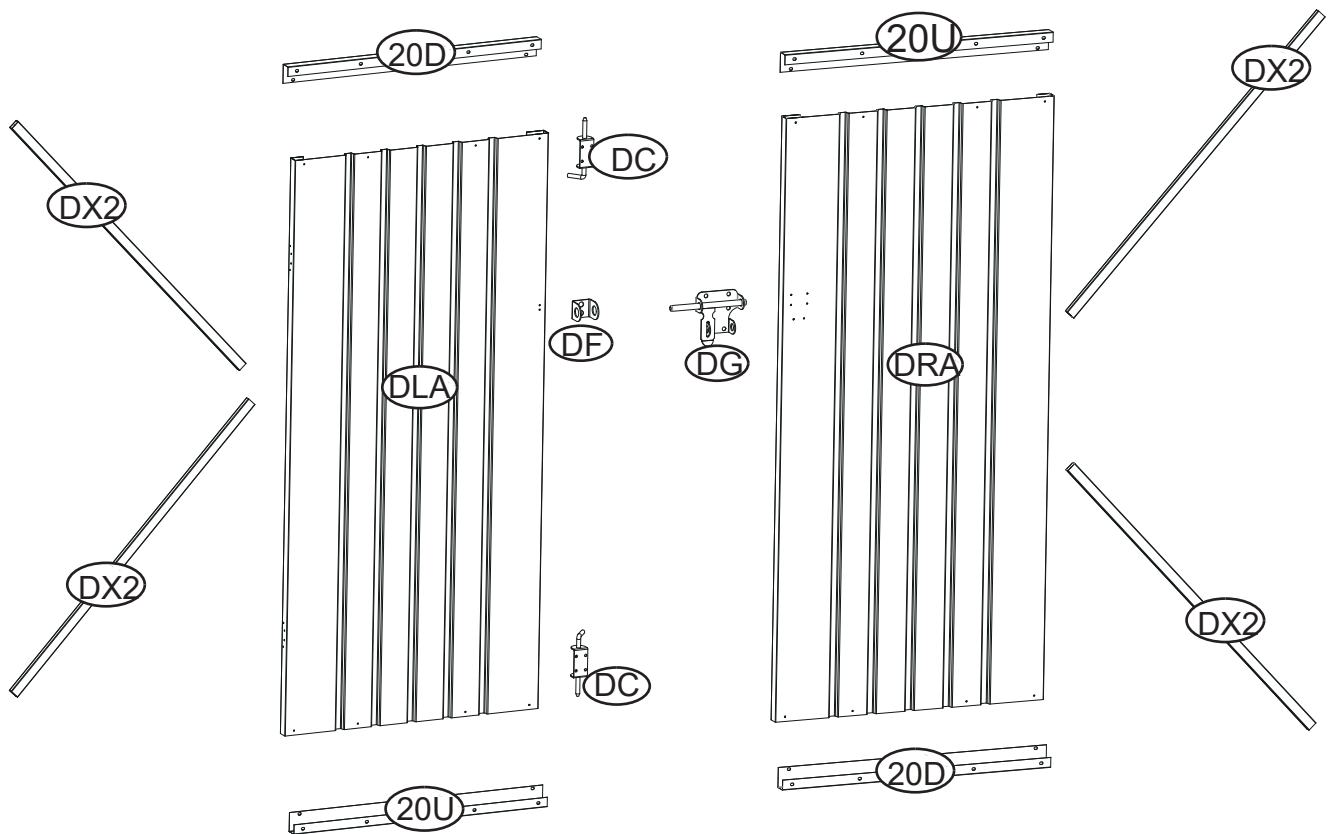
STEP 20



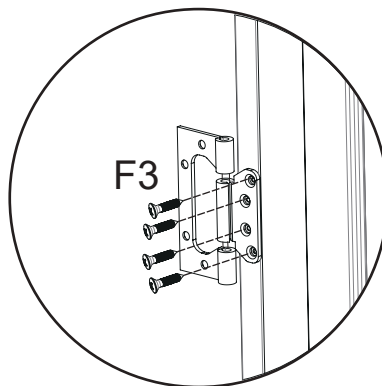
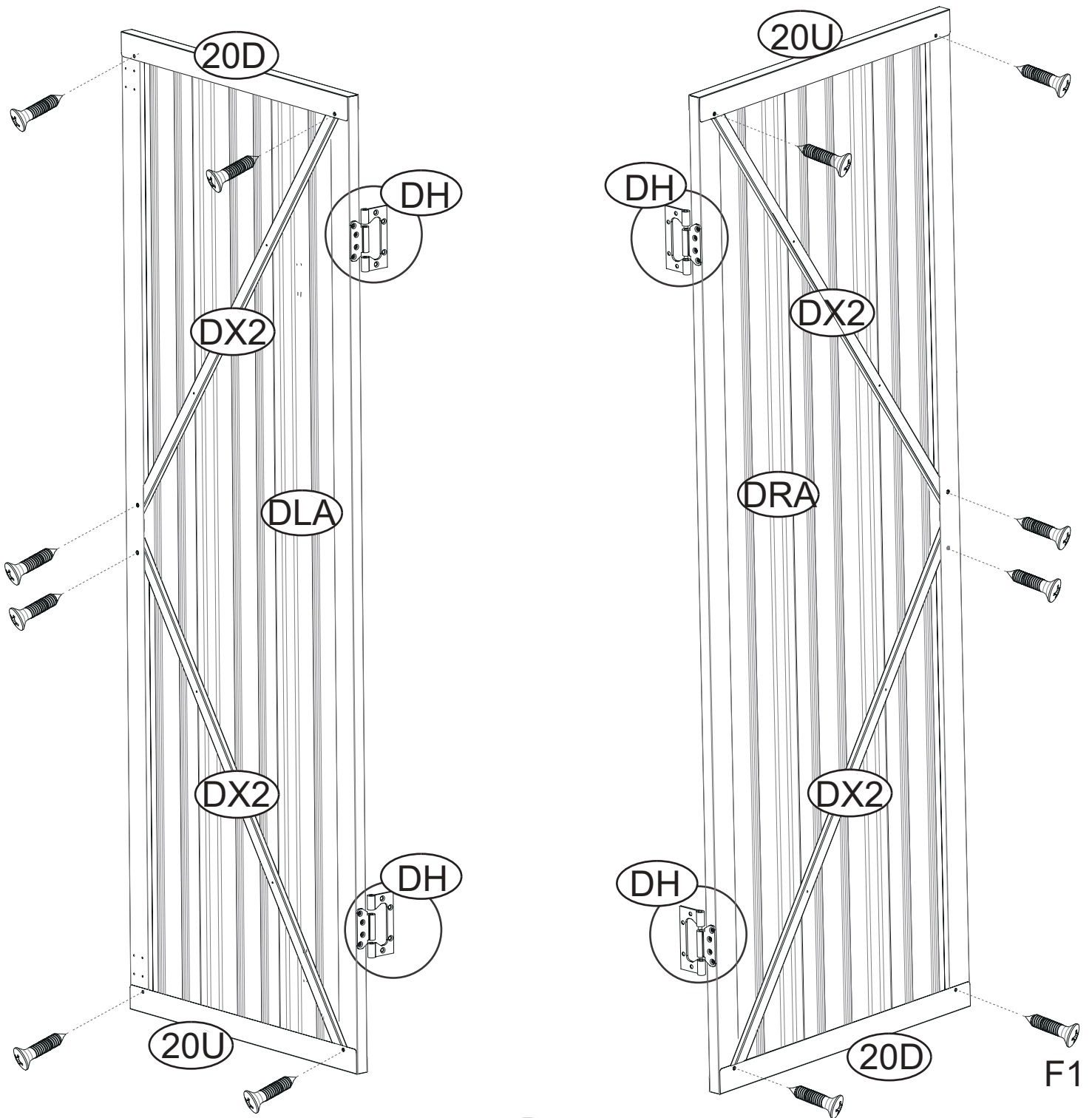
STEP 21



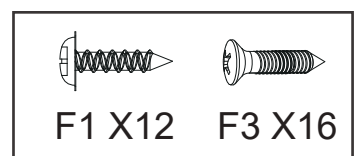
STEP 22



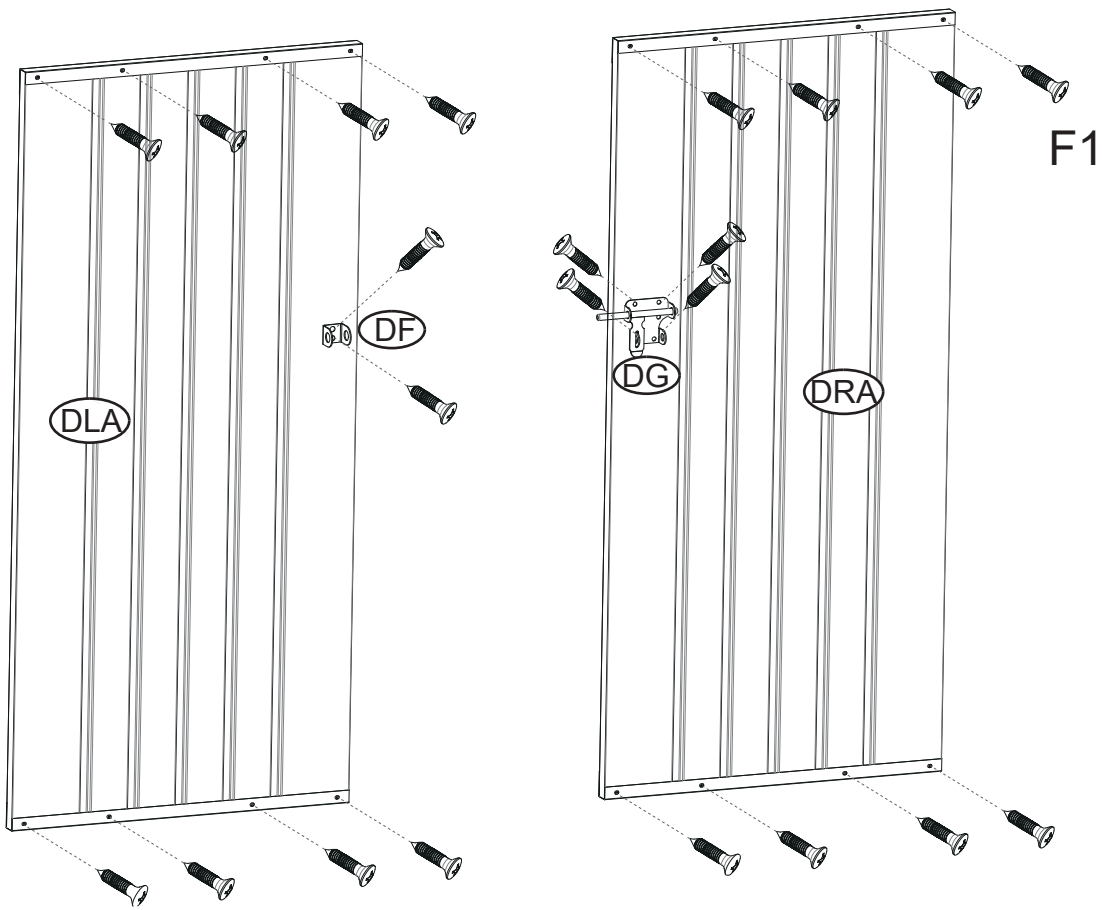
STEP 23



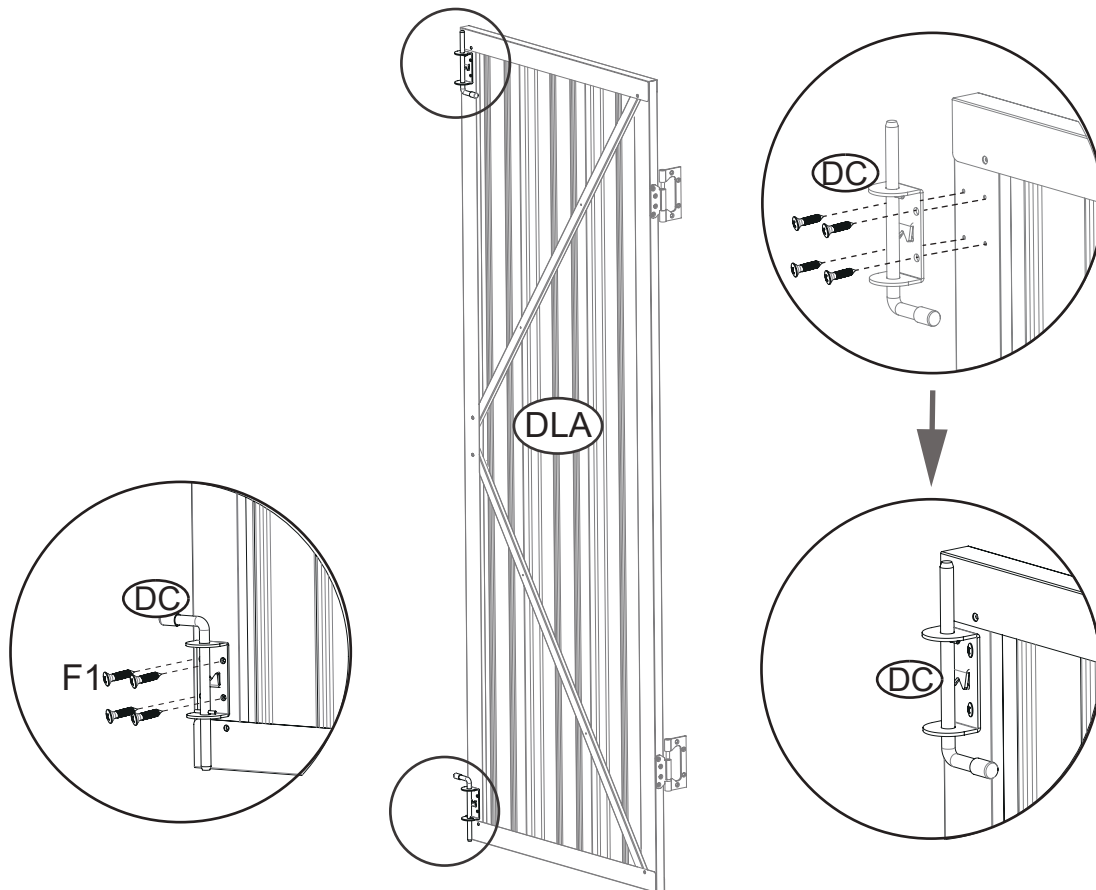
X4



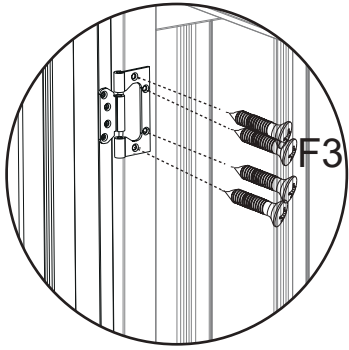
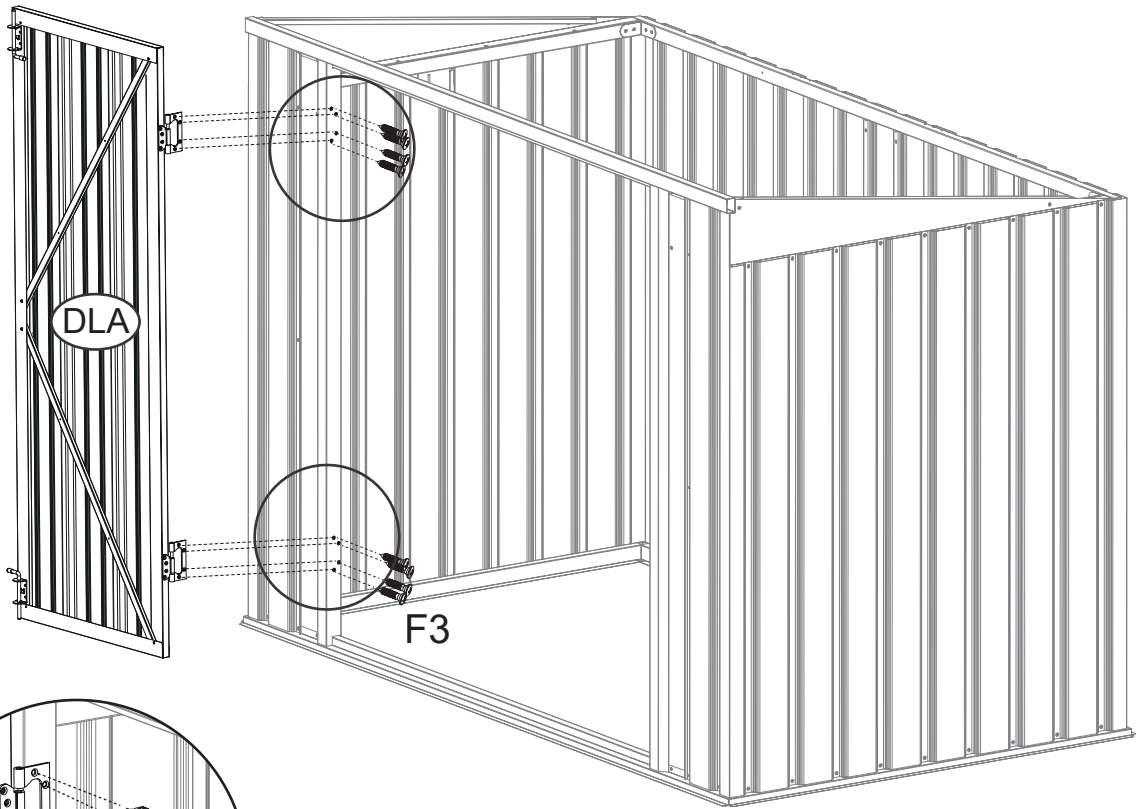
STEP 24



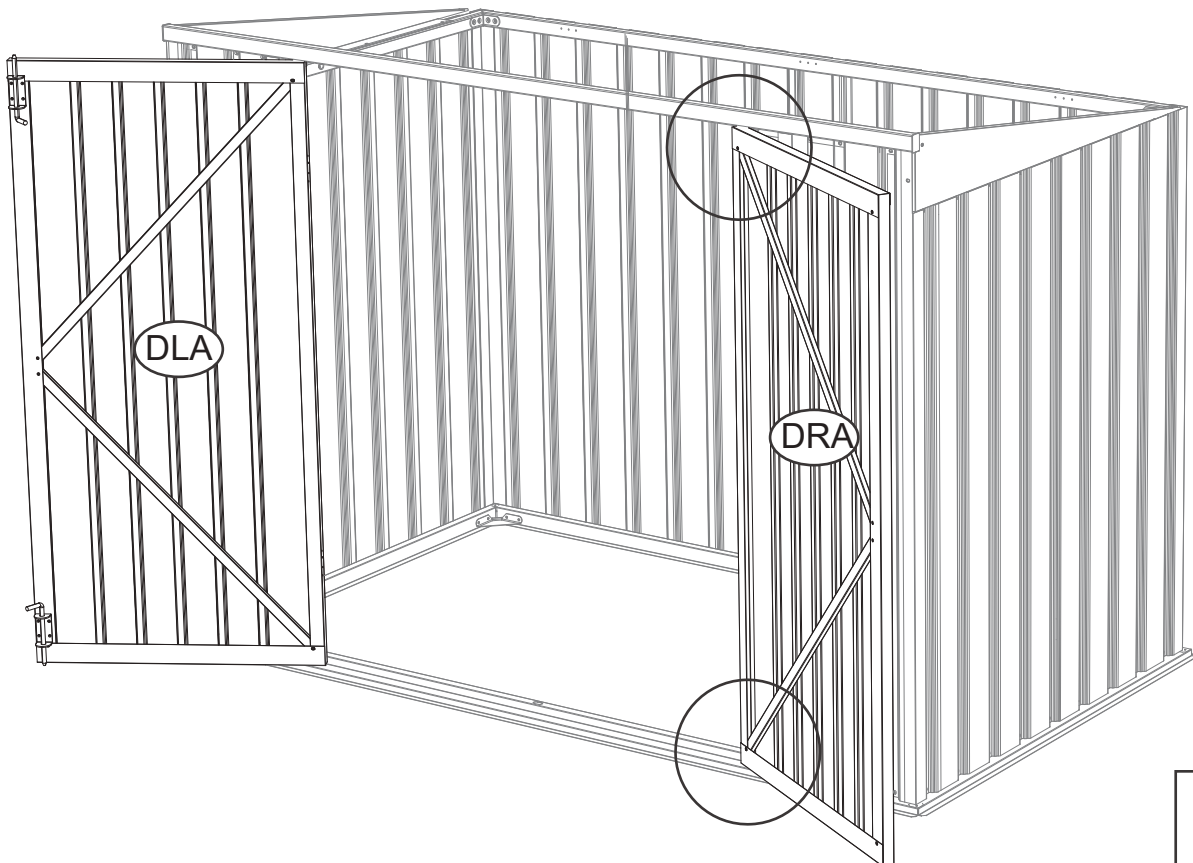
STEP 25



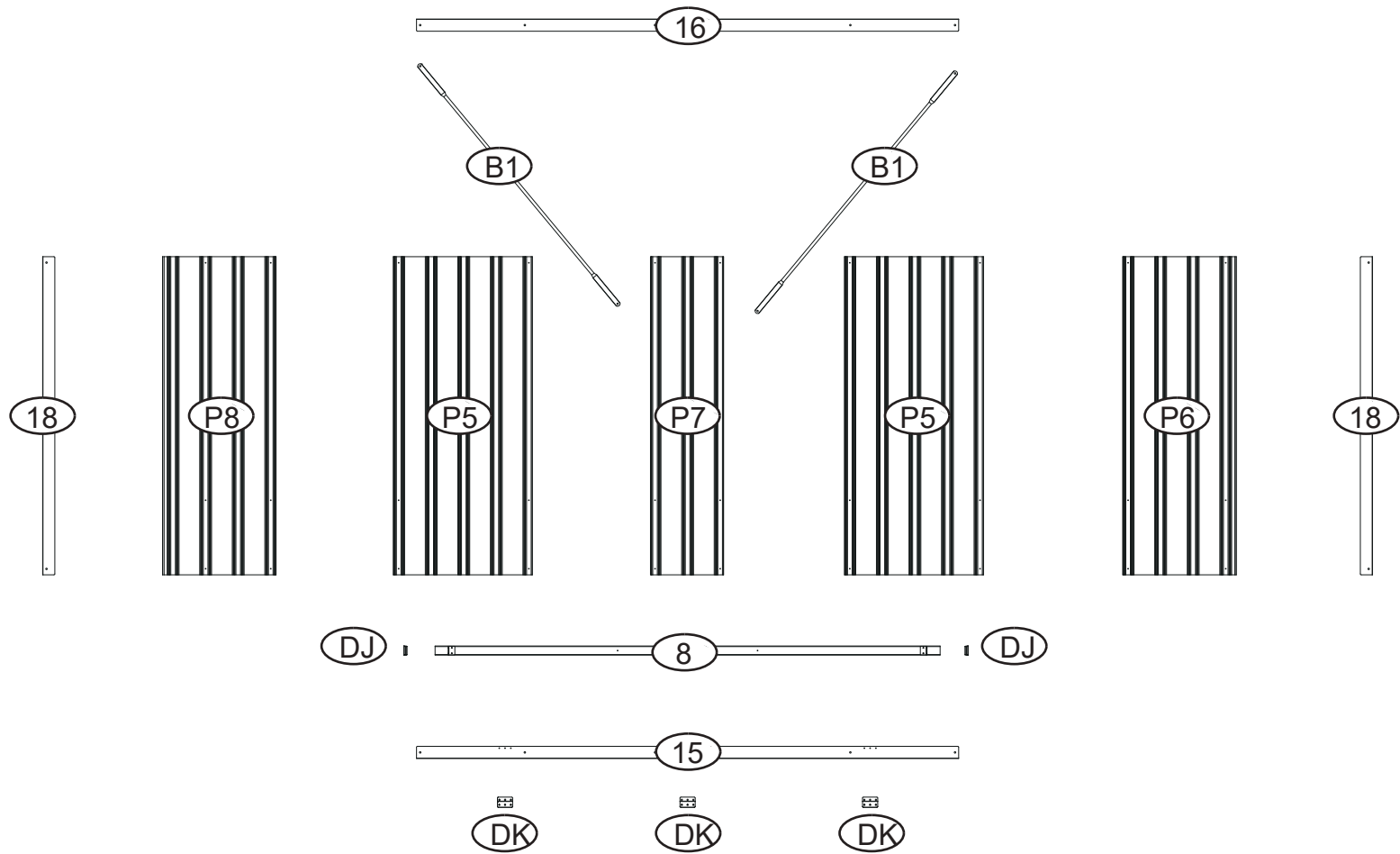
STEP 26



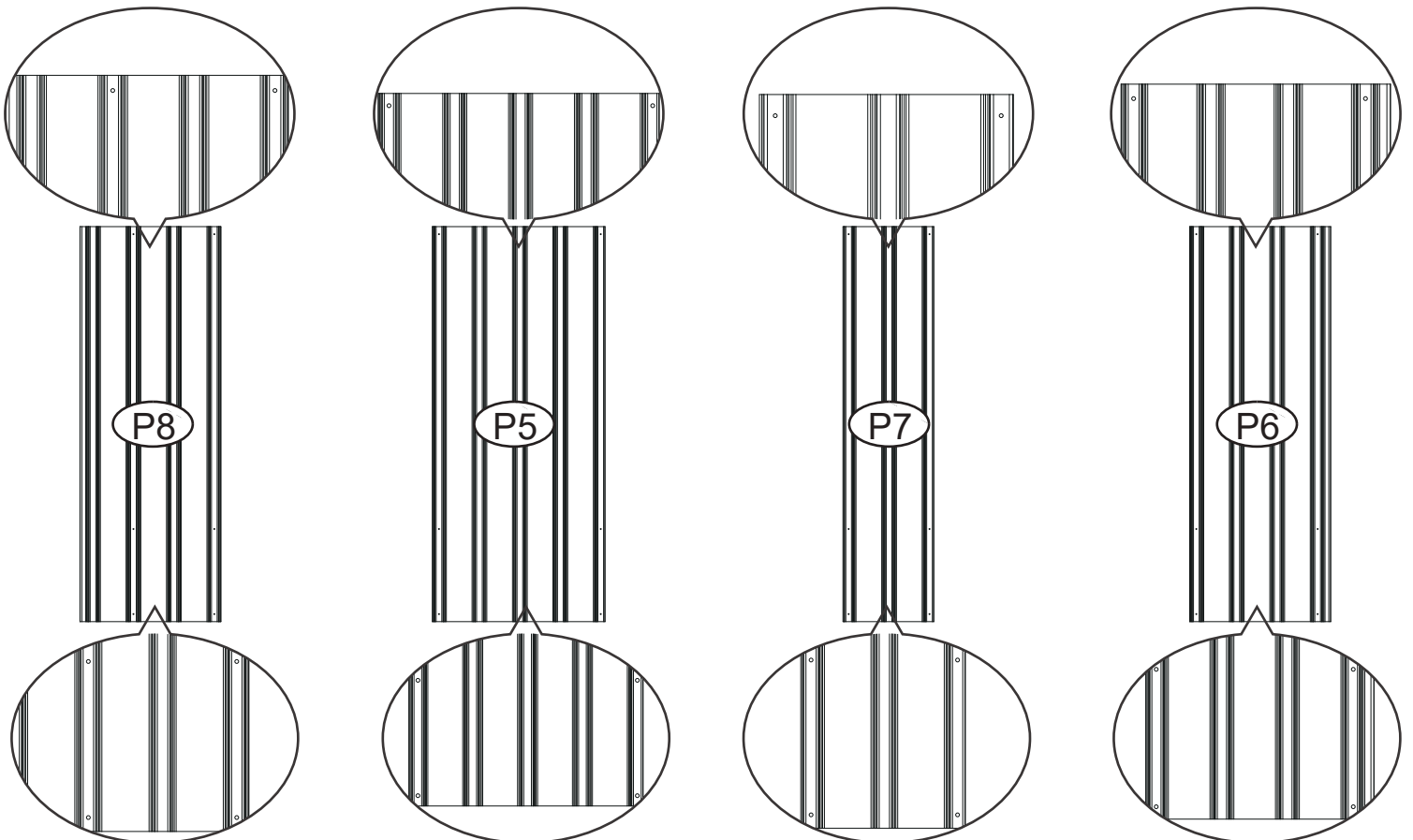
X4



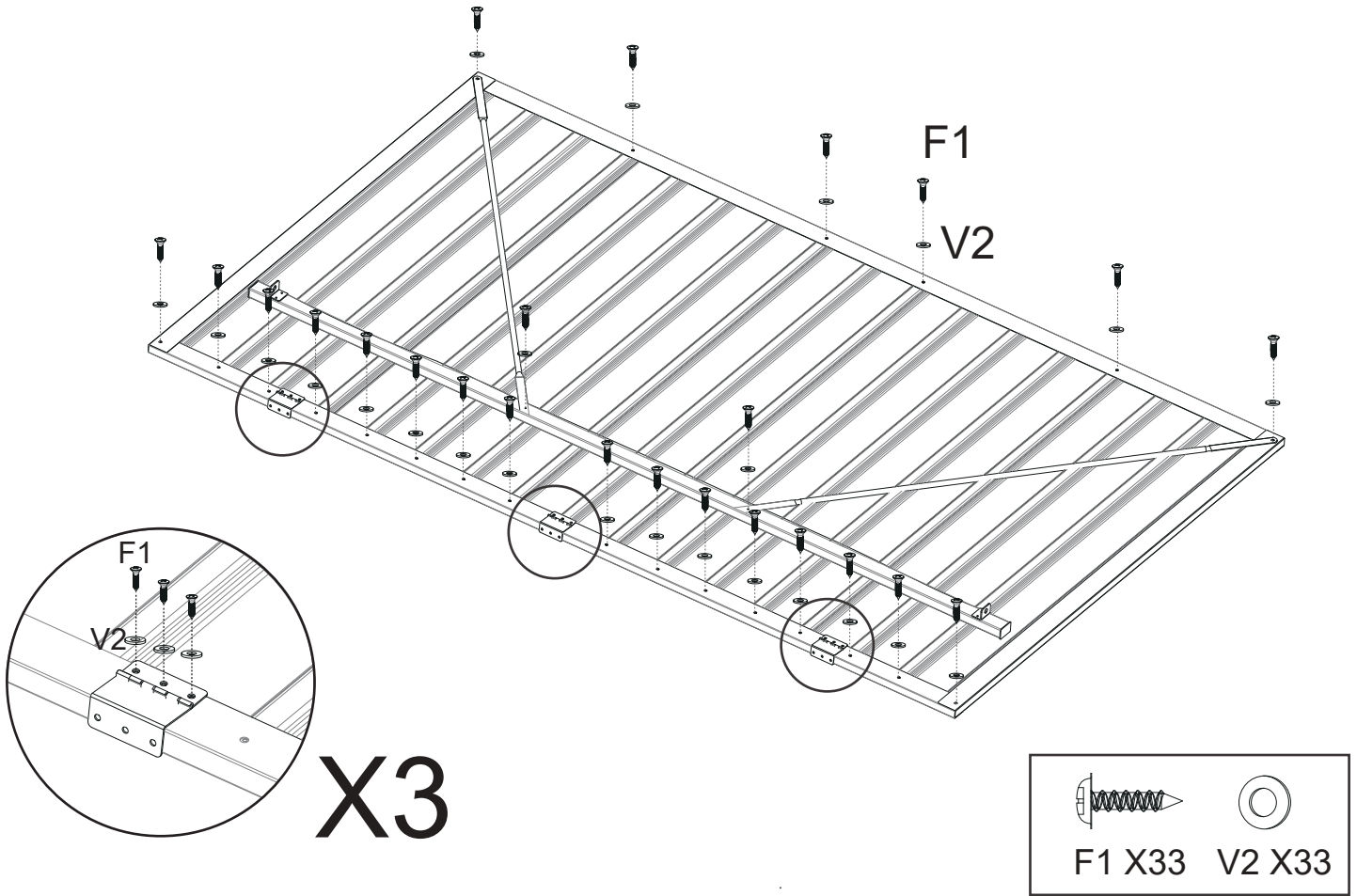
STEP 27



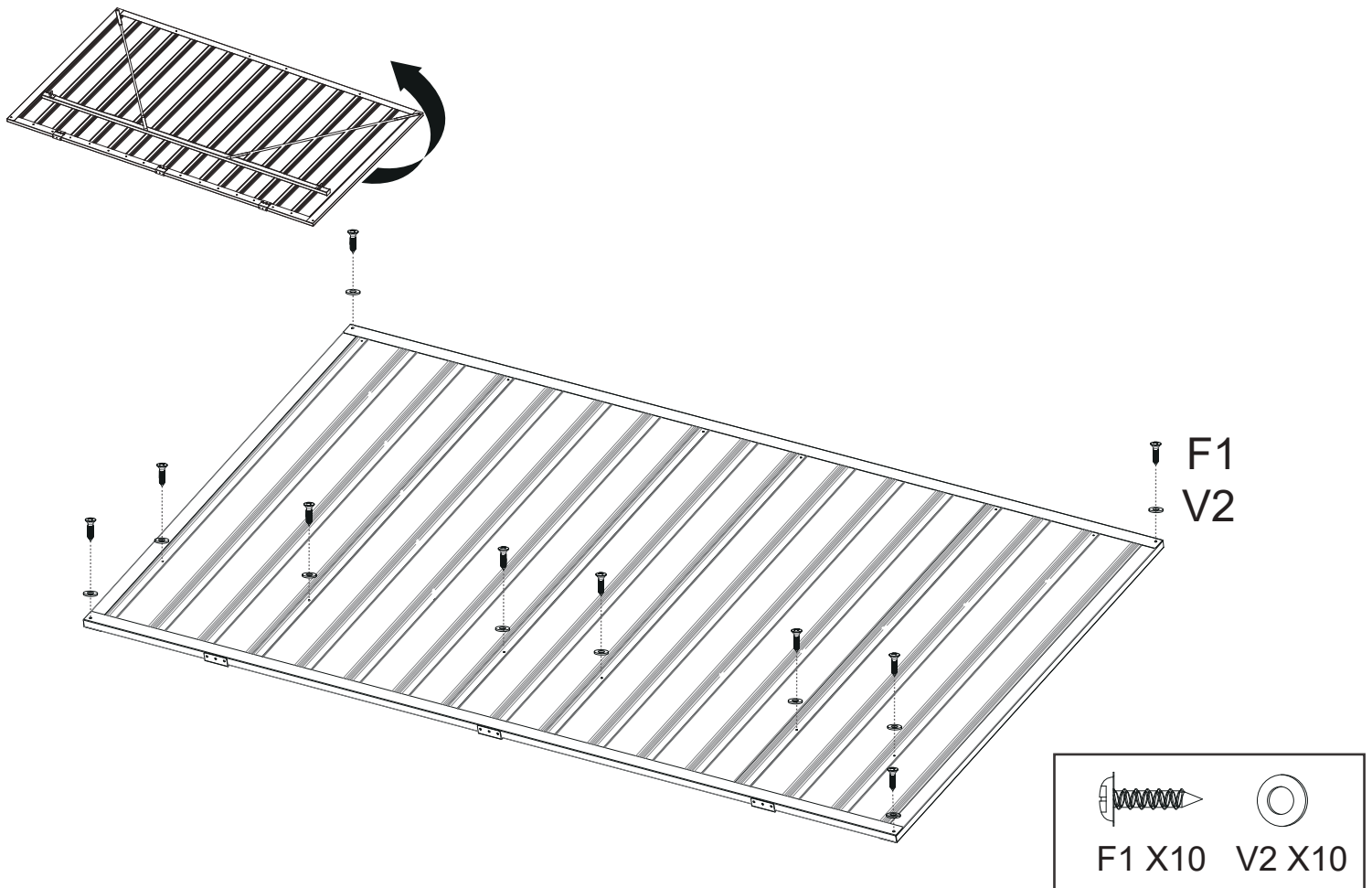
DETAIL DISPLAY



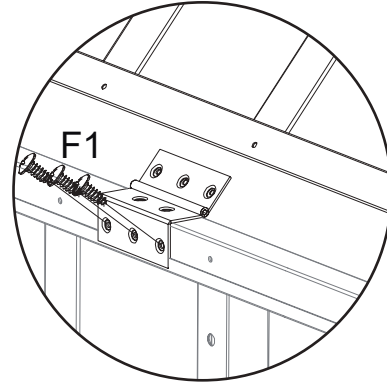
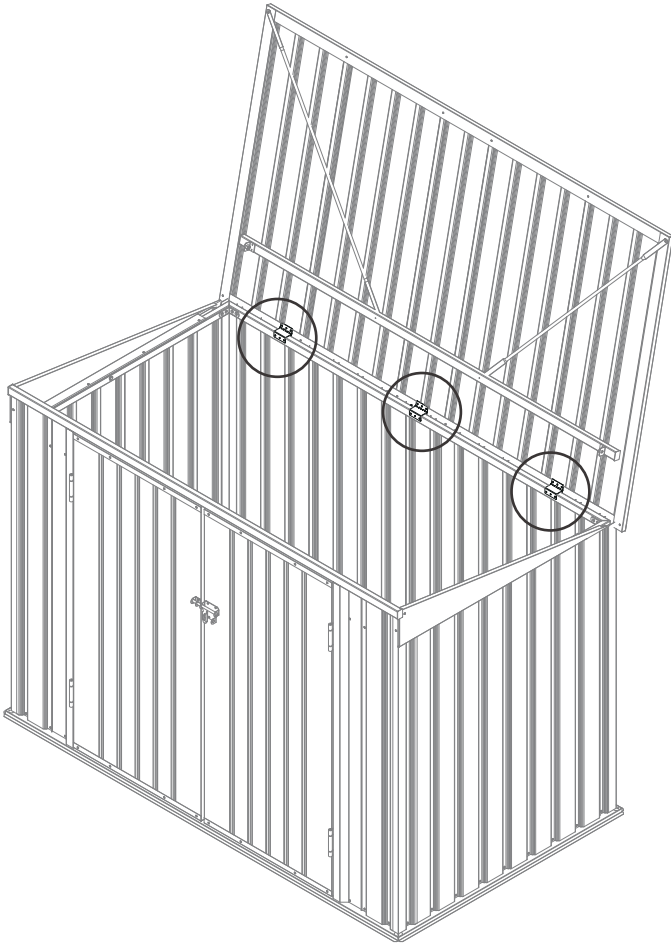
STEP 28



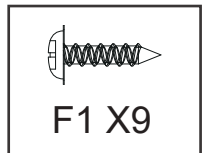
STEP 29



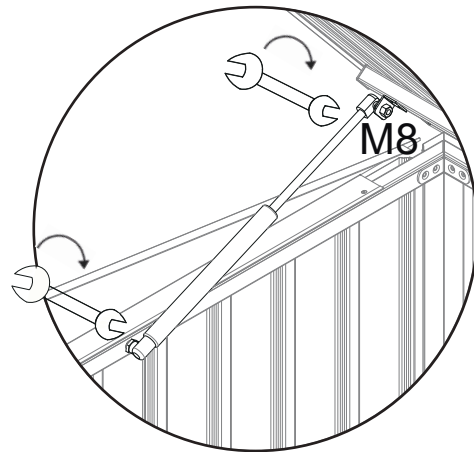
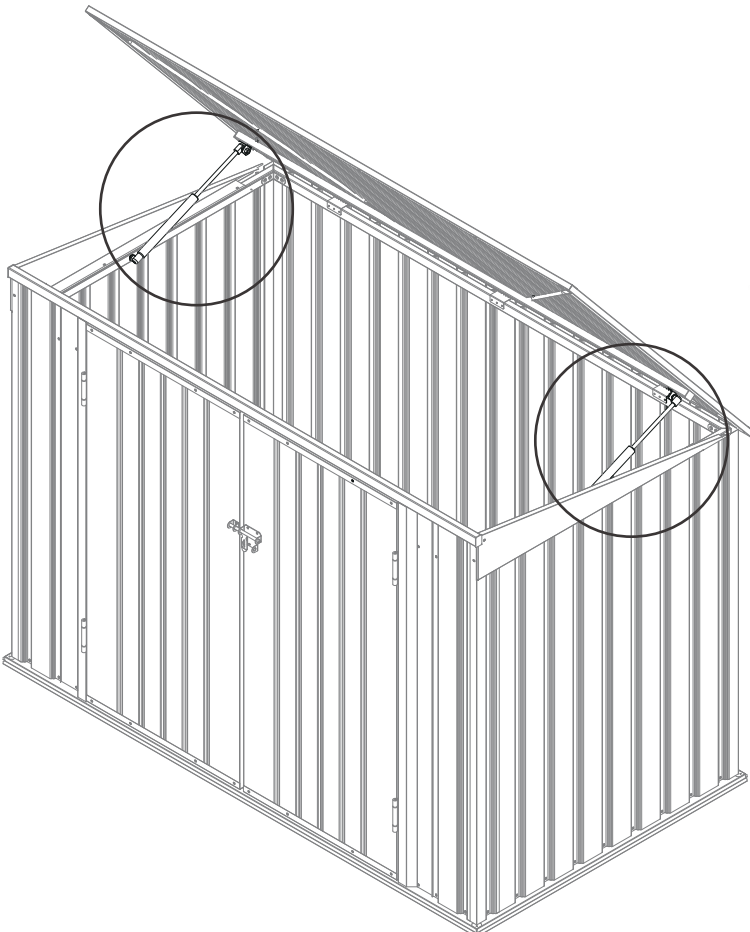
STEP 30



X3

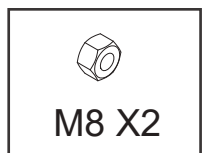


STEP 31

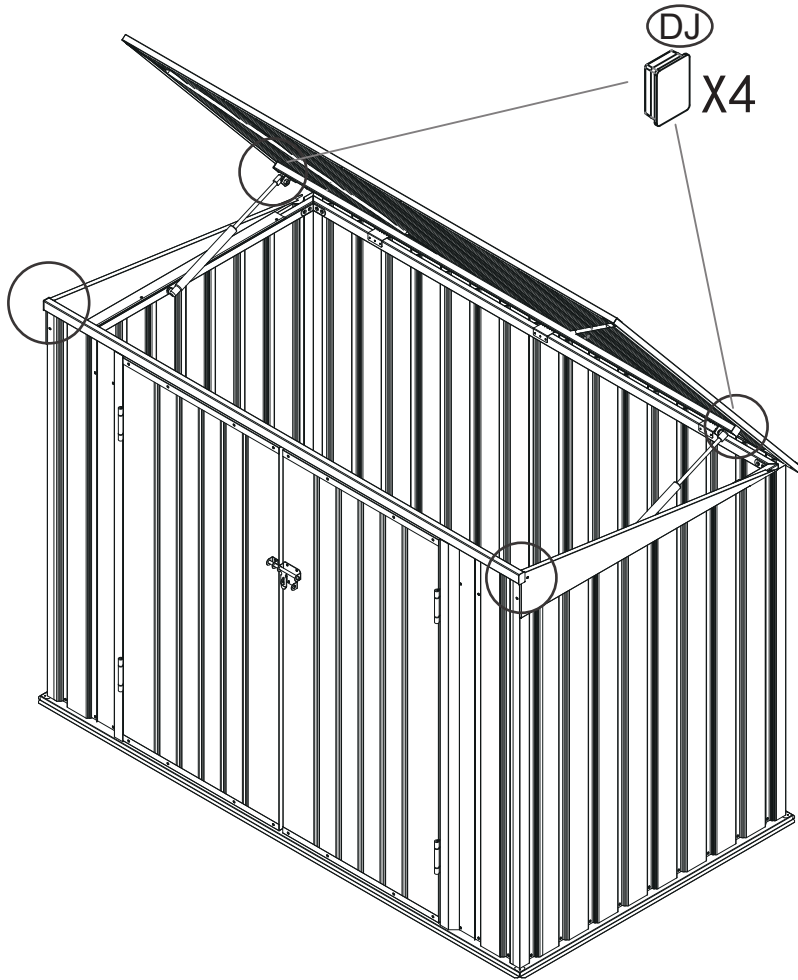


X2

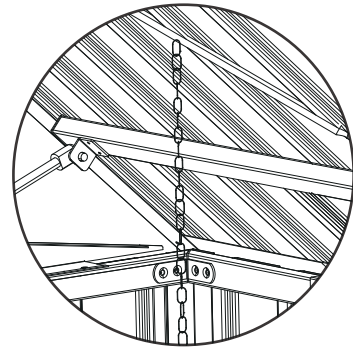
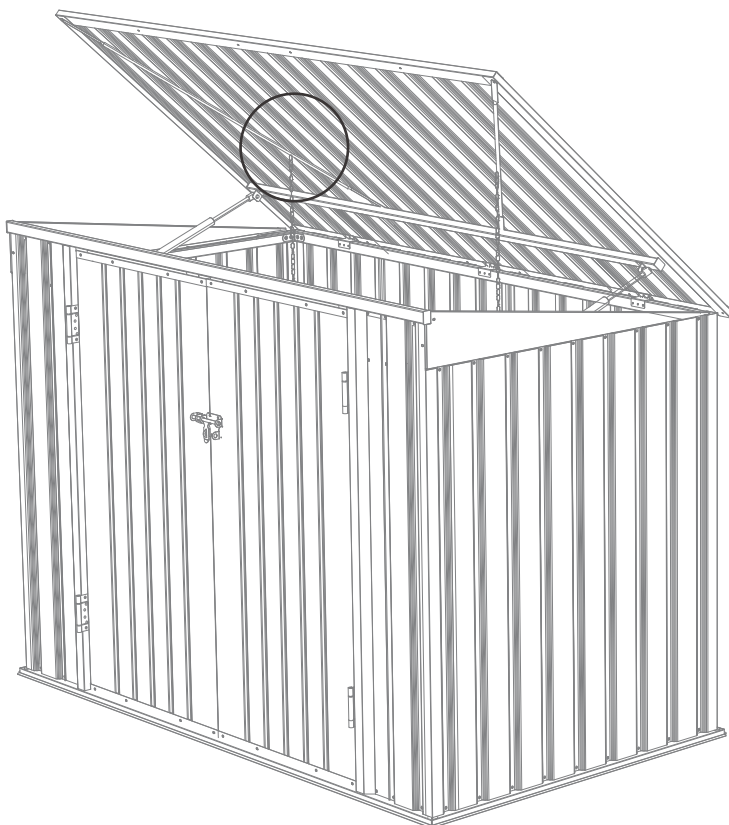
Note: Tighten the bolts with a wrench according to the position shown in the figure.



STEP 32

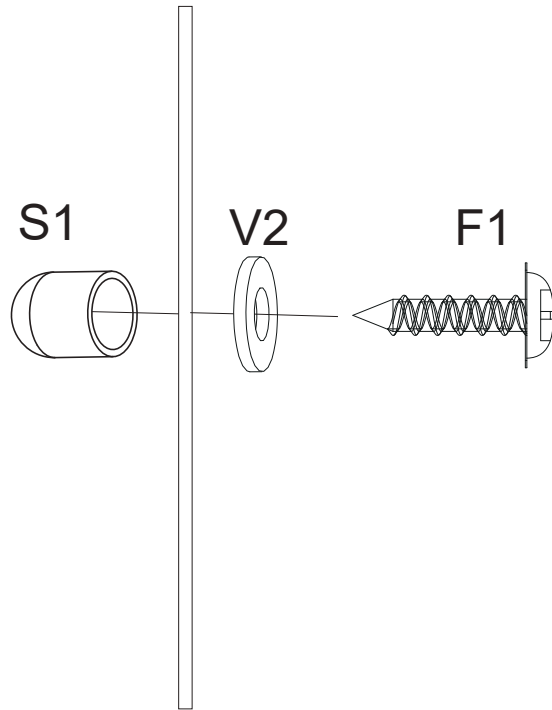


STEP 33

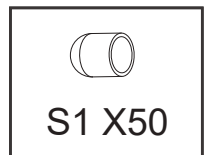


Note: The chains for the garbage can lid.

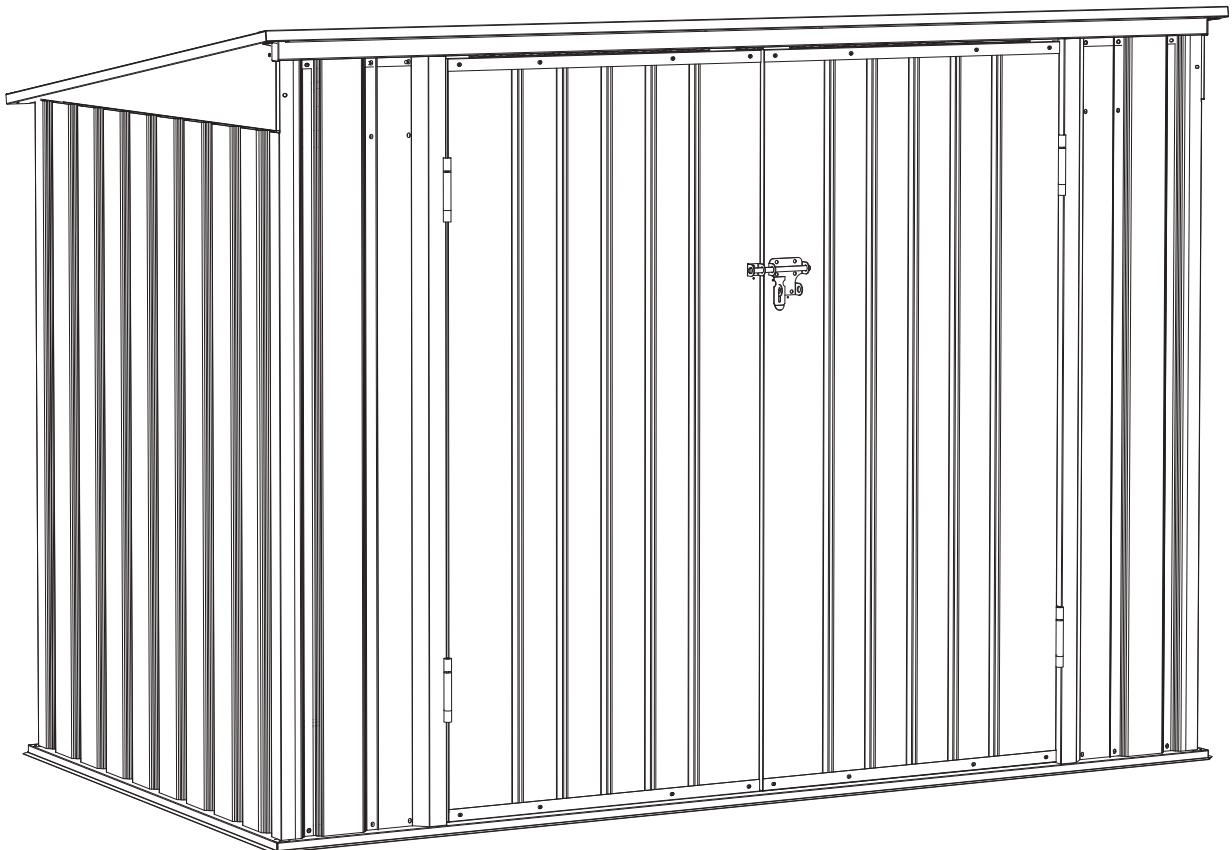
STEP 34



Put it on the screw tip to prevent injury.



FINISH



CARE & SAFETY

- Unsuitable for storage of flammable or corrosive substances.
- It is of utmost importance to assemble all of the parts according to the directions. Do not skip any step.
- Please consult your local authorities if any permits are required to erect shed.
- Periodically check shed to assure that it remains stable and that the site remains level.
- It is highly recommended to secure the shed to an immovable object or to the ground by drilling holes in the floor at the pre-marked locations and inserting proper screws into the ground (screws are not included).
- Wear safety-goggles and always follow the manufacturer's instructions when using power tools.
- Wash shed with garden hose or a mild detergent solution. Using a stiff brush or abrasive cleaner could damage shed.
- Hot items such as recently used grills, blowtorches, etc. Must not be stored in the shed.
- Heavy articles should not be leaned against the walls, as this may cause distortion.
- Keep roof clean of snow and leaves. Heavy amounts of snow on roof can damage the shed making it unsafe to enter.
- Although wind direction varies, it is an important factor when taking into account where to place your shed. Therefore, it is recommended to reduce wind exposure of the shed in general, and the door side in particular.
- Keep doors closed and locked to prevent wind damage.
- Do not stand on the roof.