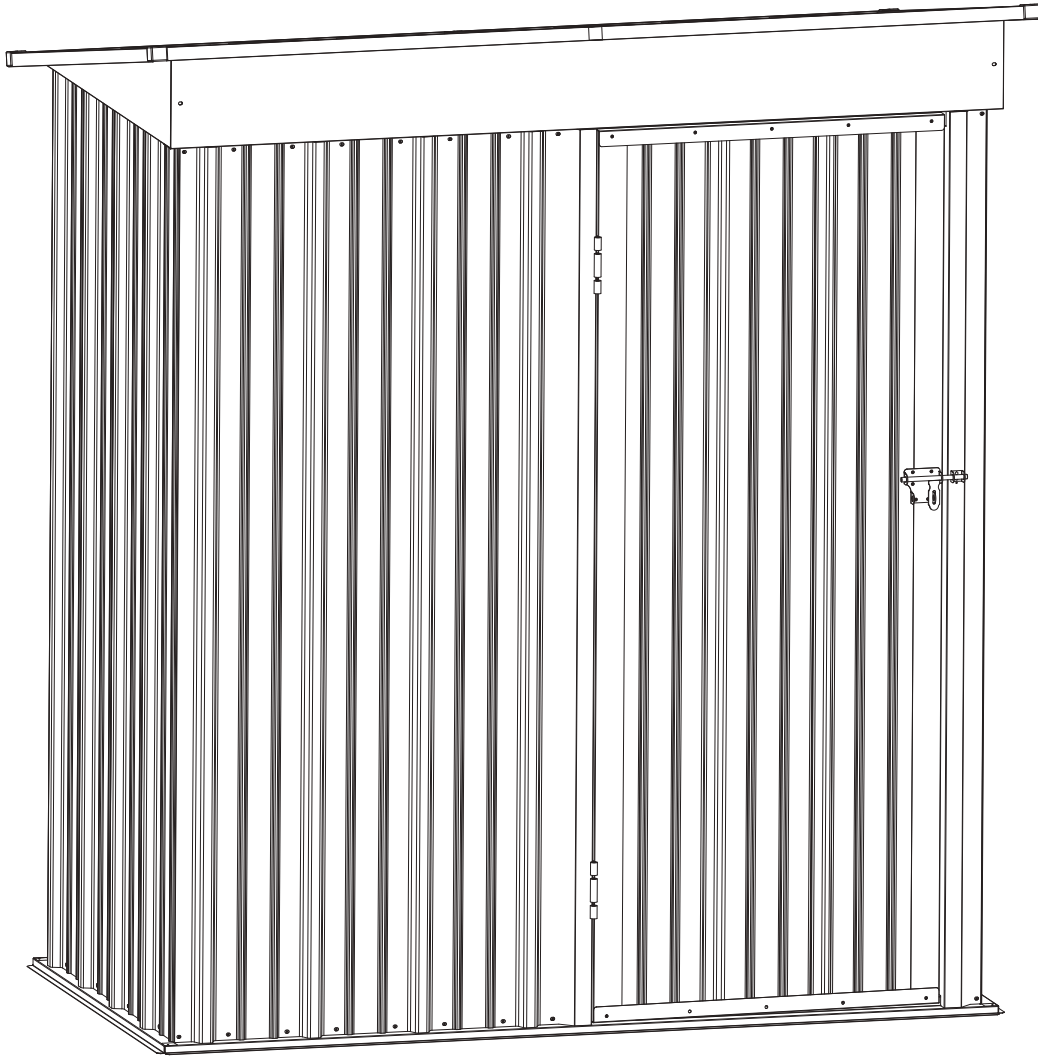


Metal Garden Shed

ASSEMBLY INSTRUCTIONS



Requires two people and takes 2-3 hours for Installation.

Recommended to wear gloves to avoid scratches

Dear Customers,

Thank you for purchasing our product. Please read this instruction manual carefully after receiving this product. It will help you assemble this product quickly, safely and correctly. You can keep this manual for future reference.

PLAN AHEAD

Before beginning installation, check local building codes regarding footings, location and other requirements.

Study and understand this instruction.

Important information and helpful tips will make your installation easier and more enjoyable.

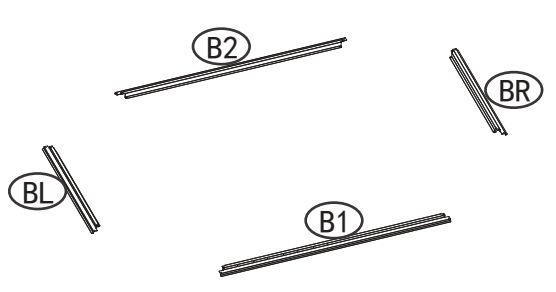
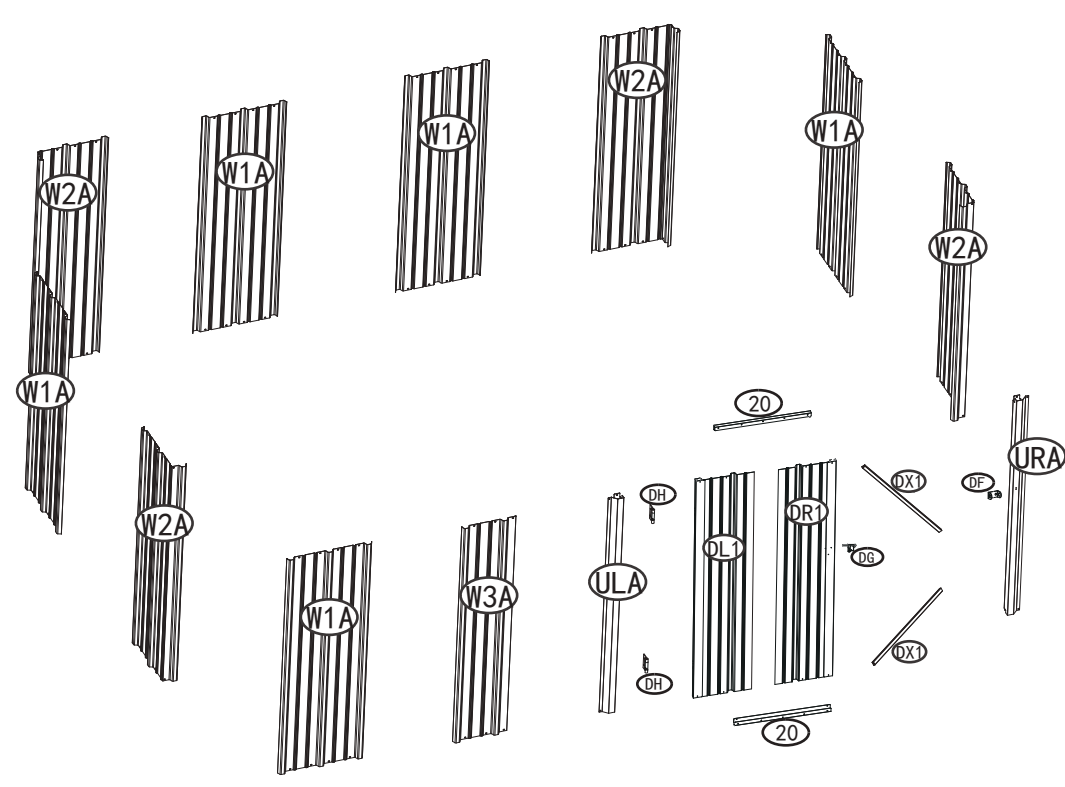
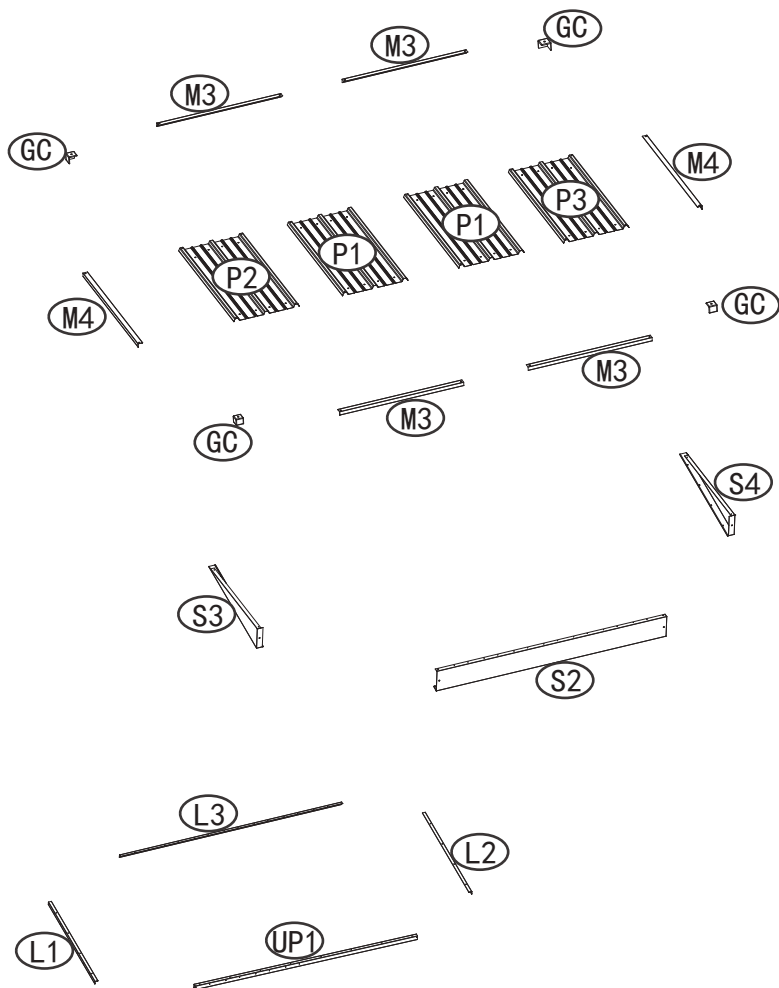
Tools and Materials: There are some basic tools and materials you will need for the installation. Decide which method of anchoring and the type of foundation you wish to use in order to form a complete list of the materials you will need.

BEFORE YOU BEGIN

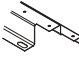
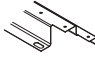
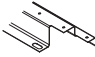
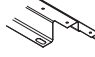

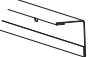








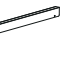



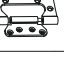
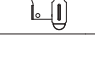

Assembly Instruction: Instructions are supplied in this manual and contain all appropriate information for your installation. Review all instructions before you begin, and during assembly, follow the step sequence carefully for correct results.








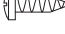




Parts List: Check to be sure that you have all the necessary parts and quantities in your package. These are packaged within the carton. Note that extra fasteners have been supplied for your convenience.

Explosion Diagram: All parts besides screws and bolts are shown in this diagram, review all parts before you begin. Familiarize yourself with the hardware and fasteners for easier use during installation.

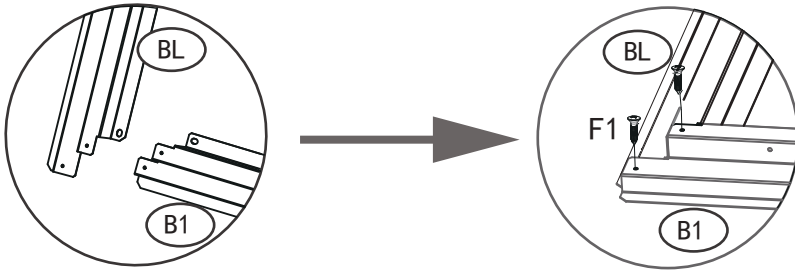
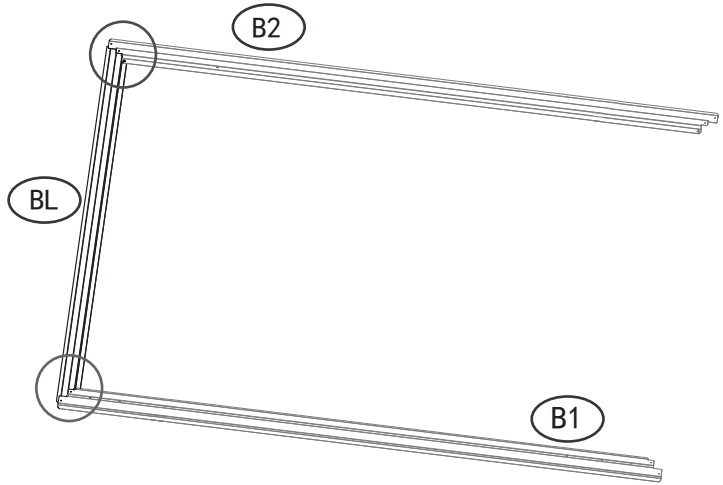
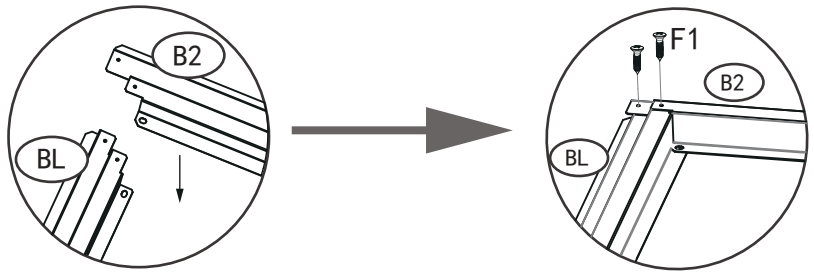


PARTS LIST

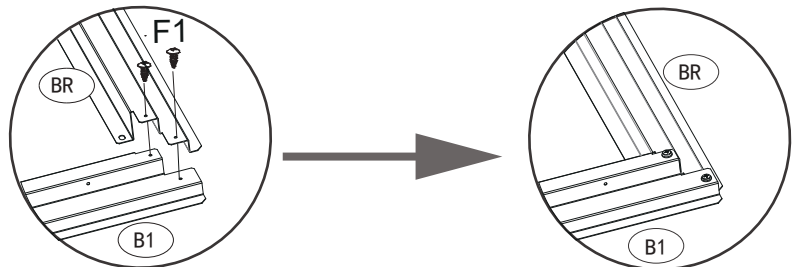
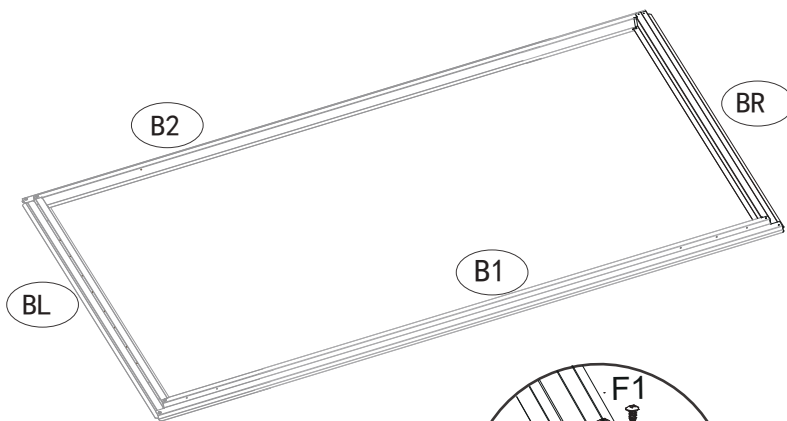
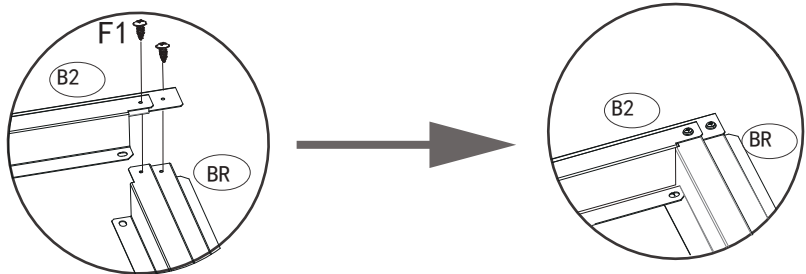
NO.	PART	Qty.
B1		1
B2		1
BL		1
BR		1
L1		1
L2		1
L3		1
UP1		1
M3		4
M4		2
W1A		5
W2A		4
W3A		1
ULA		1
URA		1
20		2
DL1		1
DR1		1
DF		1
DX1		2
DH		2
DG		1


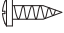

NO.	PART	Qty.
S2		1
S4		1
S3		1
P1		2
P2		1
P3		1
GC		4
F1		160
F2		8
F3		16
V2		150
V1		80

NO.	PART	Qty.
B1		1
B2		1
BL		1
F1		4

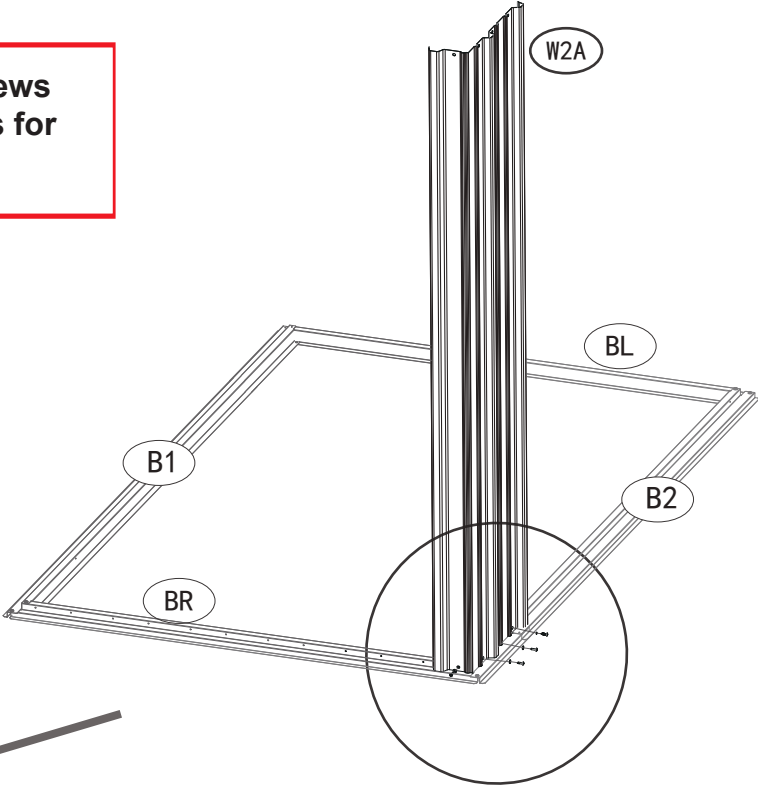
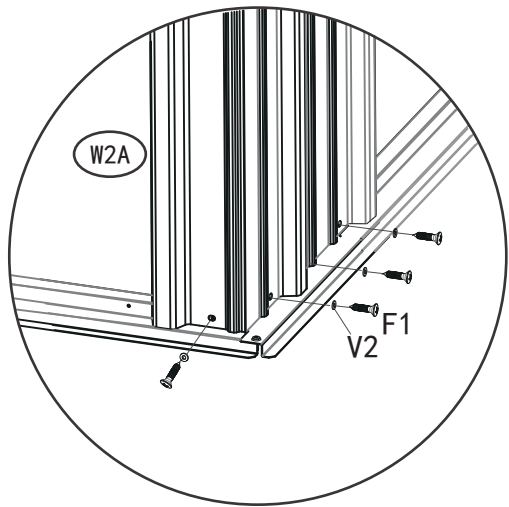





NO.	PART	Qty.
BR		1
F1		4

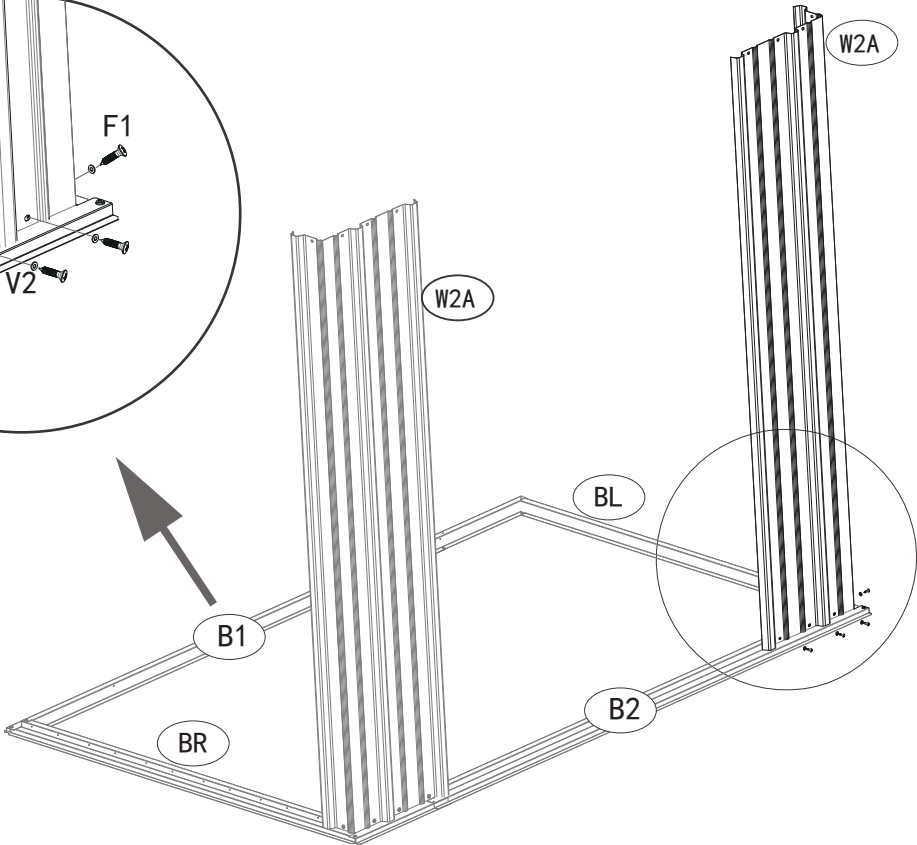
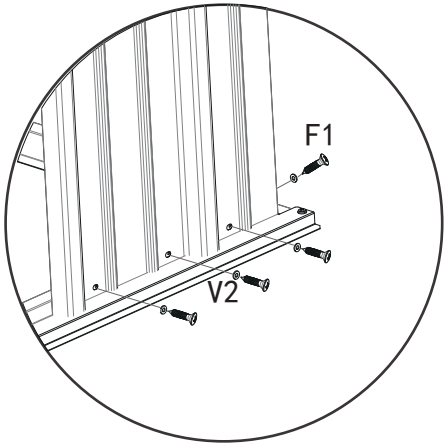


NO.	PART	Qty.
W2A		1
F1		4
V2		4

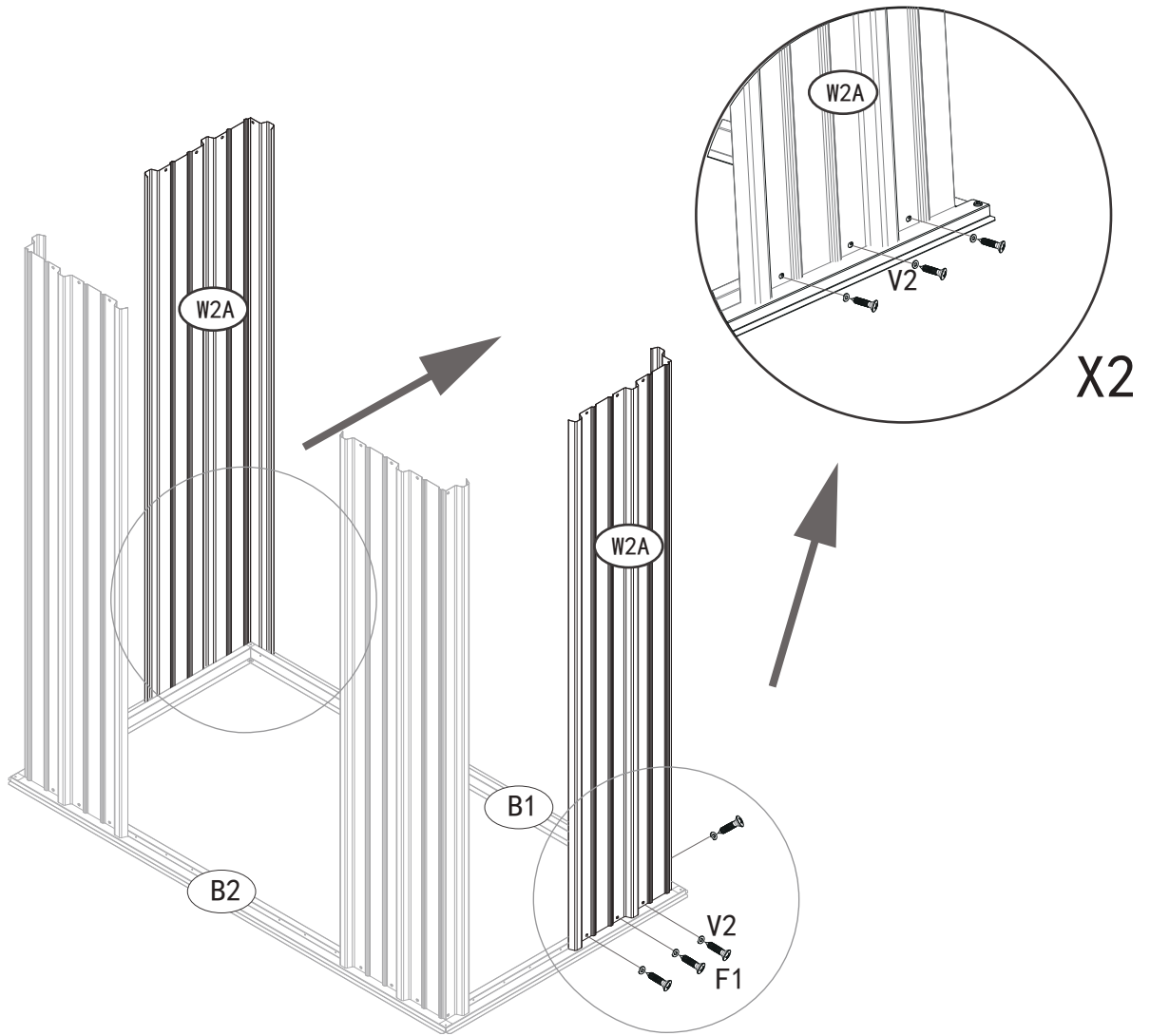
Please align the screws with the screw holes for installation



NO.	PART	Qty.
W2A		1
F1		4
V2		4

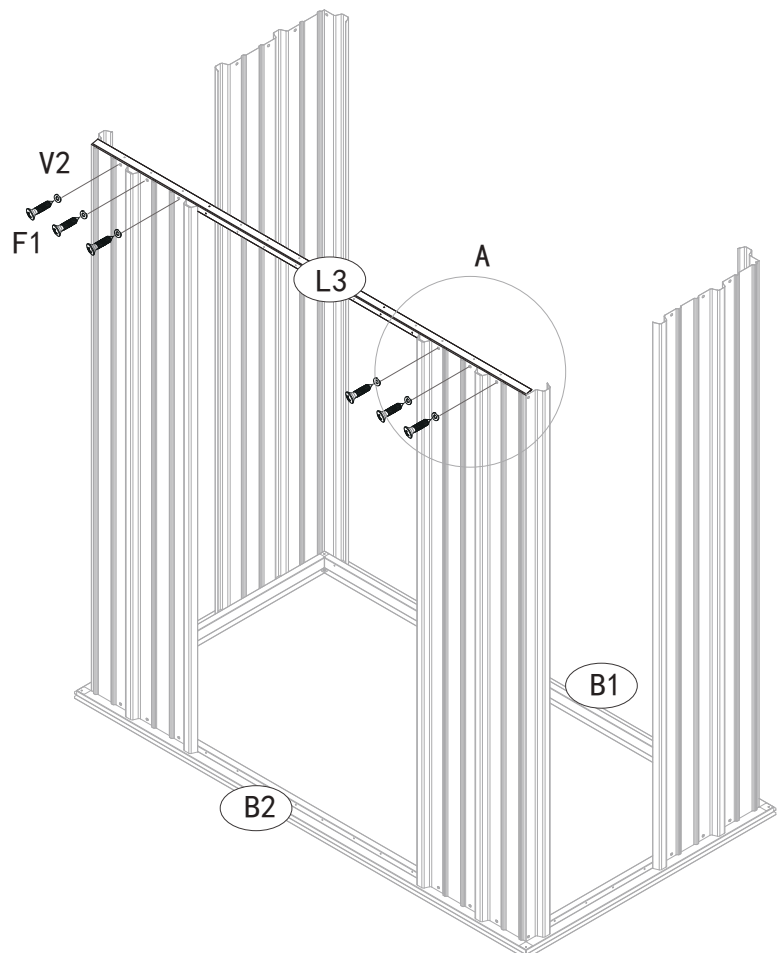
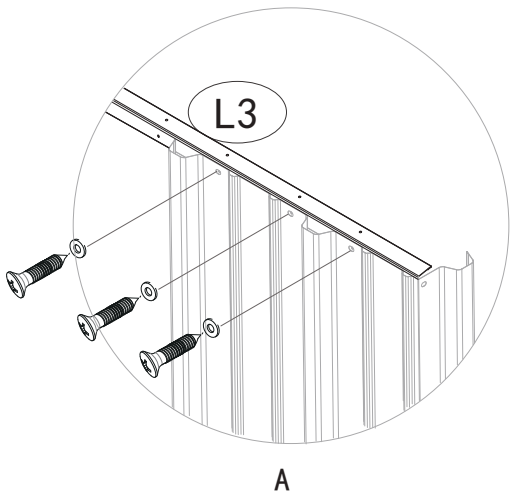




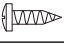

NO.	PART	Qty.
W2A		2
F1		7
V2		7



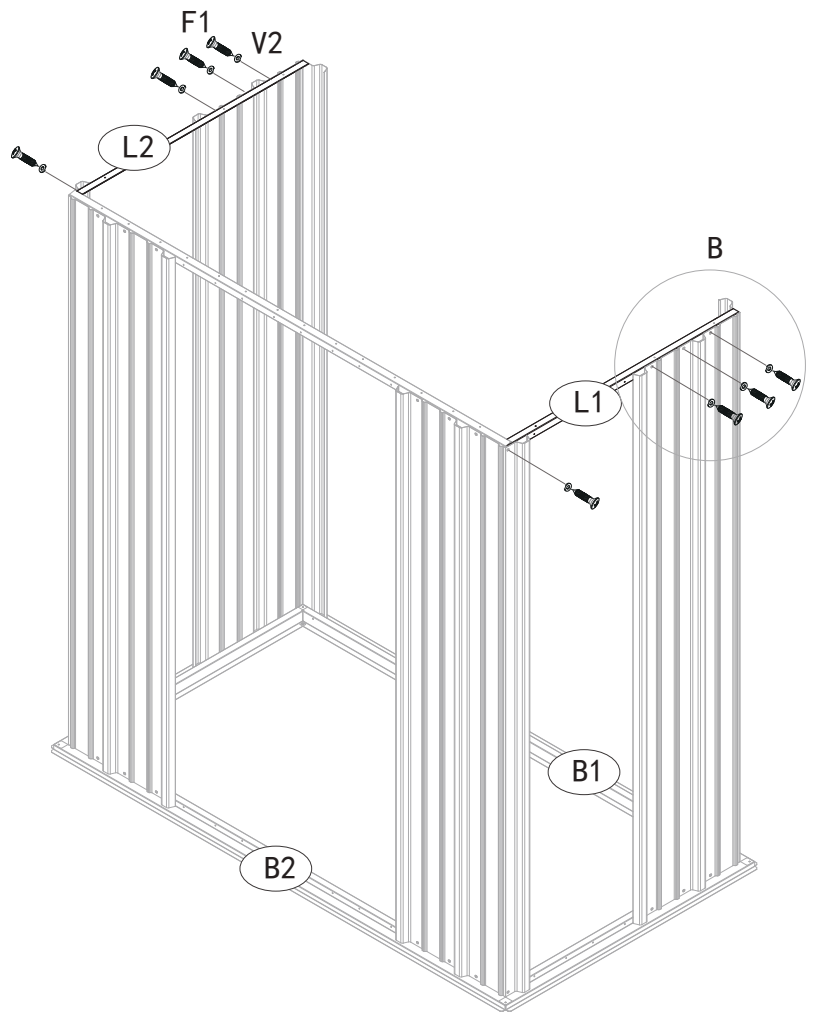
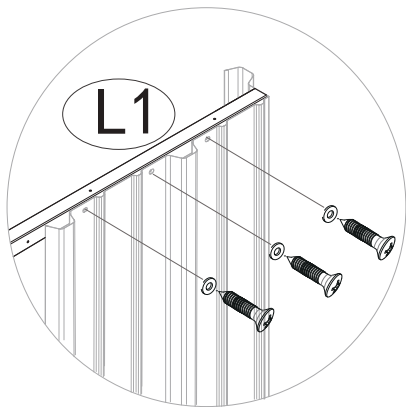
NO.	PART	Qty.
L3		1
F1		6
V2		6

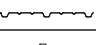
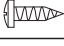

Pay attention to distinguishing the direction when installing

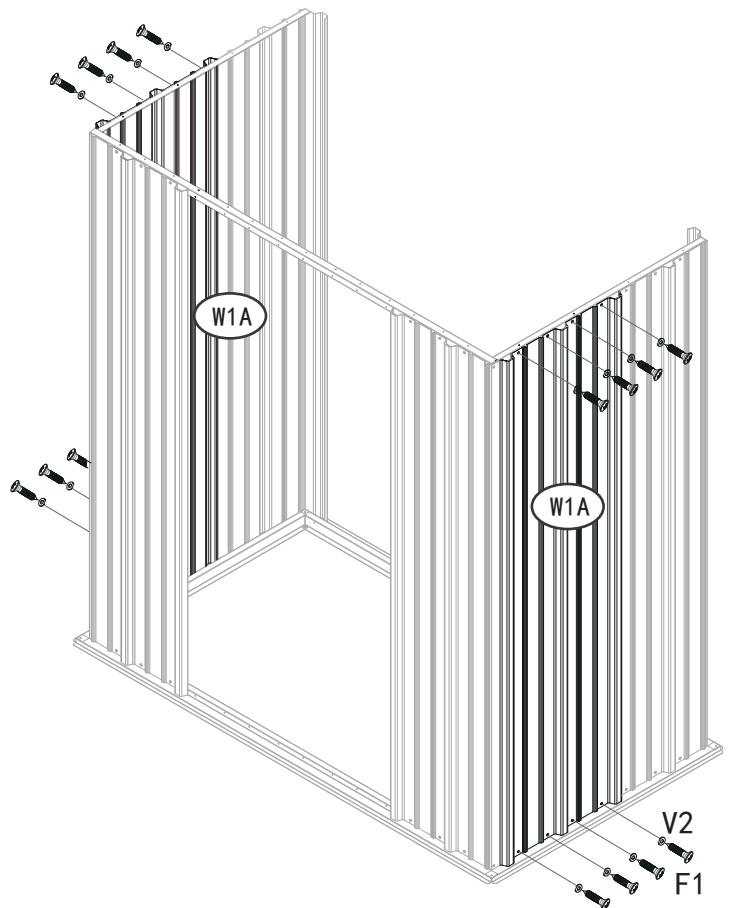





NO.	PART	Qty.
L1		1
L2		1
F1		8
V2		8

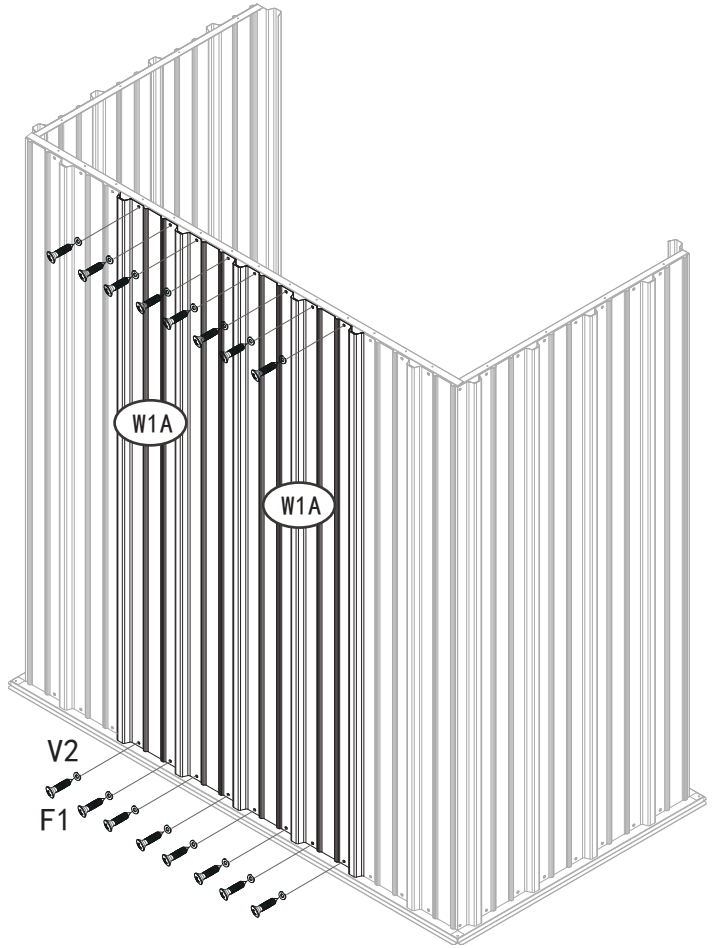
Pay attention to distinguishing the direction when installing






NO.	PART	Qty.
W1A		2
F1		16
V2		16






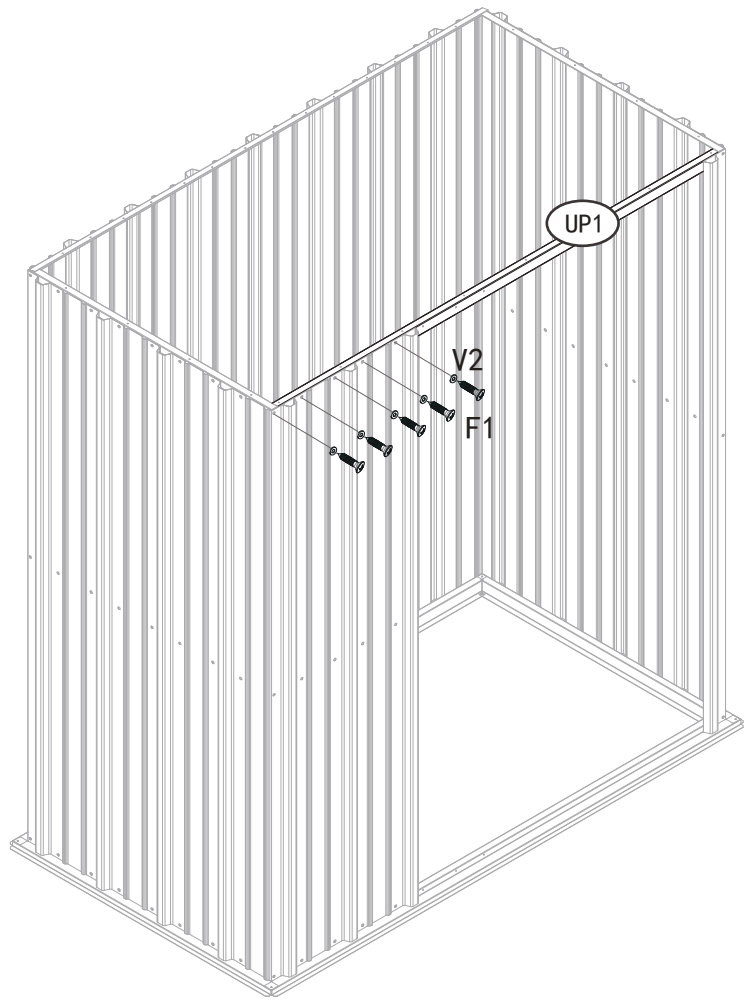
NO.	PART	Qty.
W1A		2
F1		16
V2		16

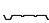




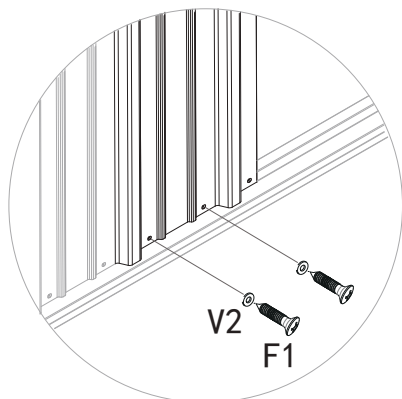
NO.	PART	Qty.
W1A		1
F1		4
V2		4



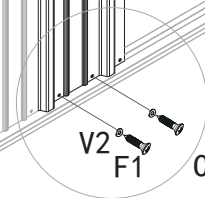
NO.	PART	Qty.
UP1		1
F1		5
V2		5





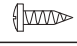

NO.	PART	Qty.
W3A		1
F1		4
V2		4

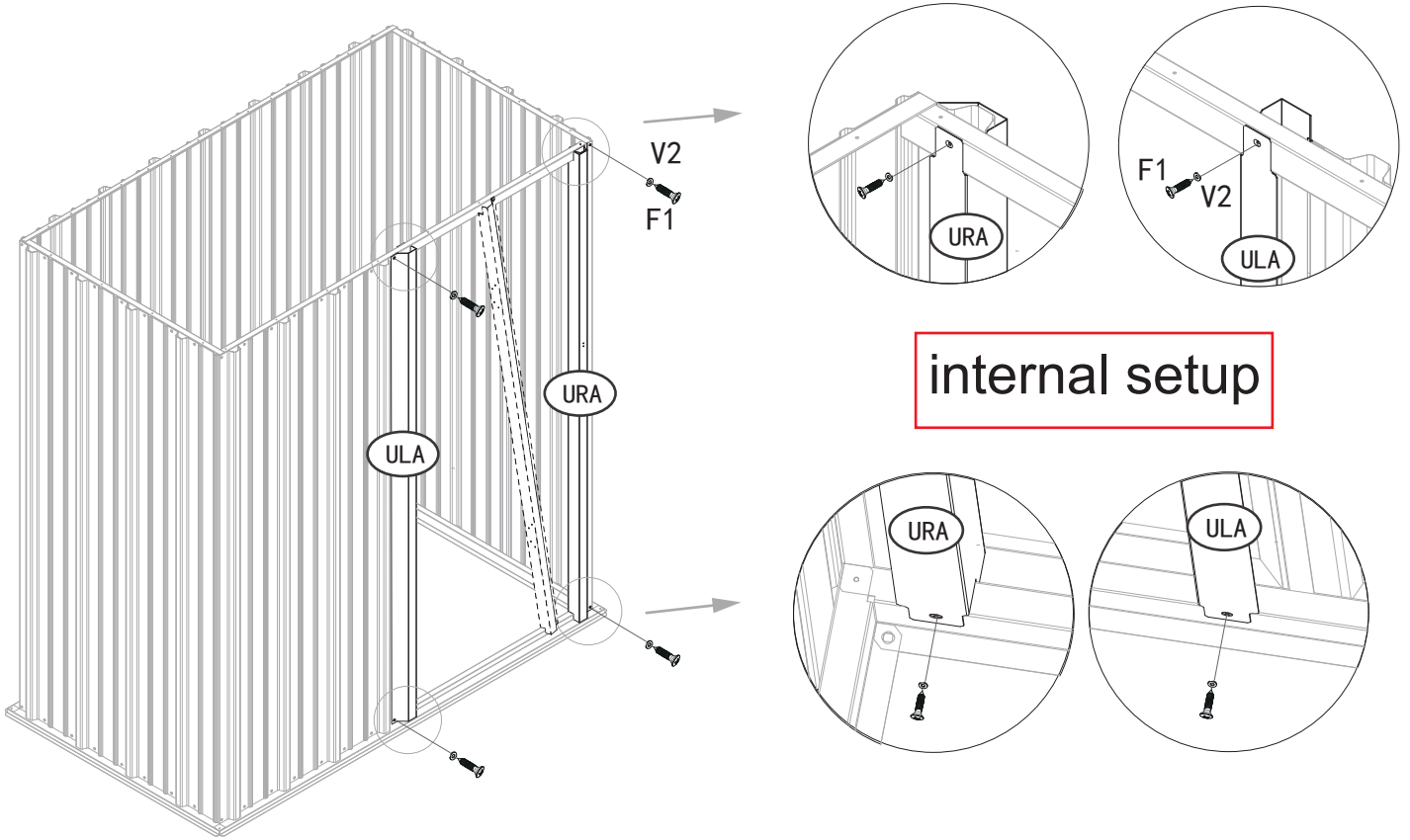


C






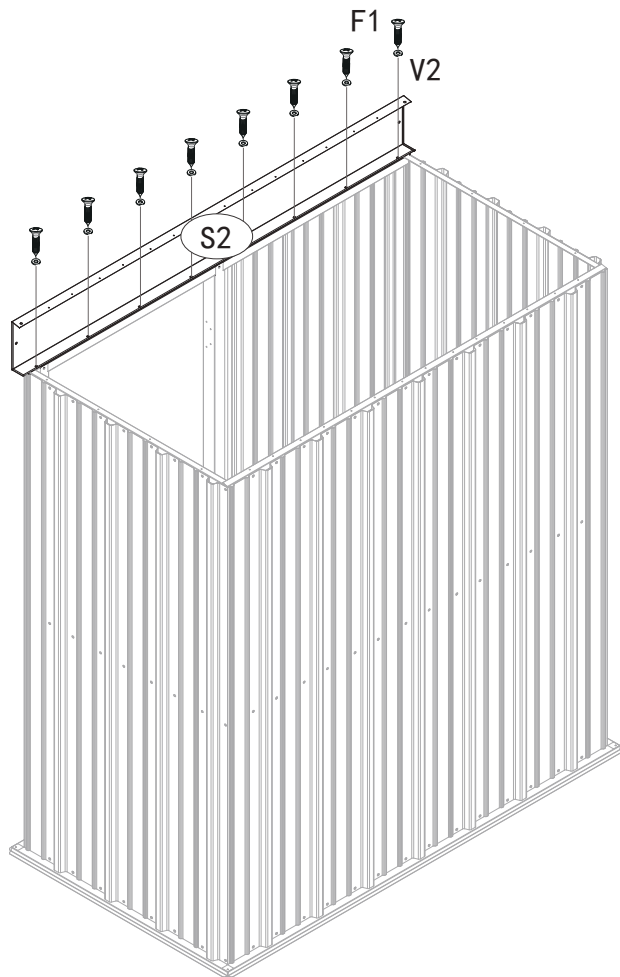
C

NO.	PART	Qty.
URA		1
ULA		1
F1		8
V2		8

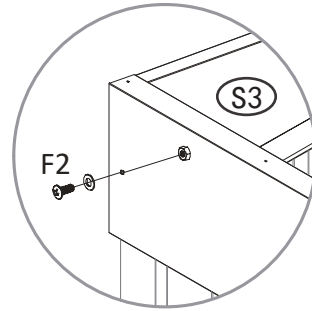
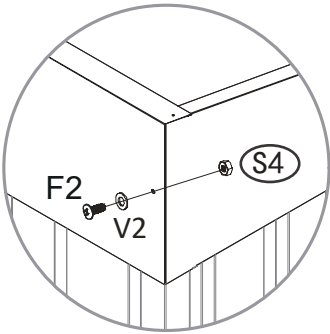
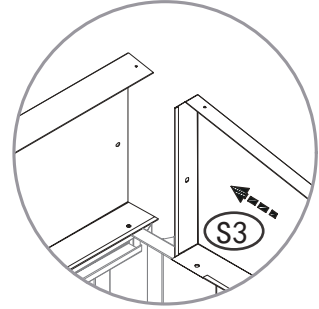
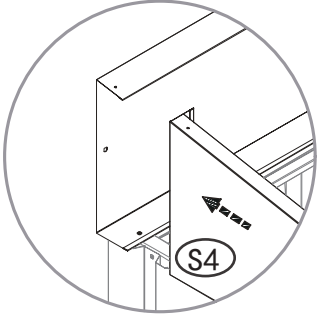
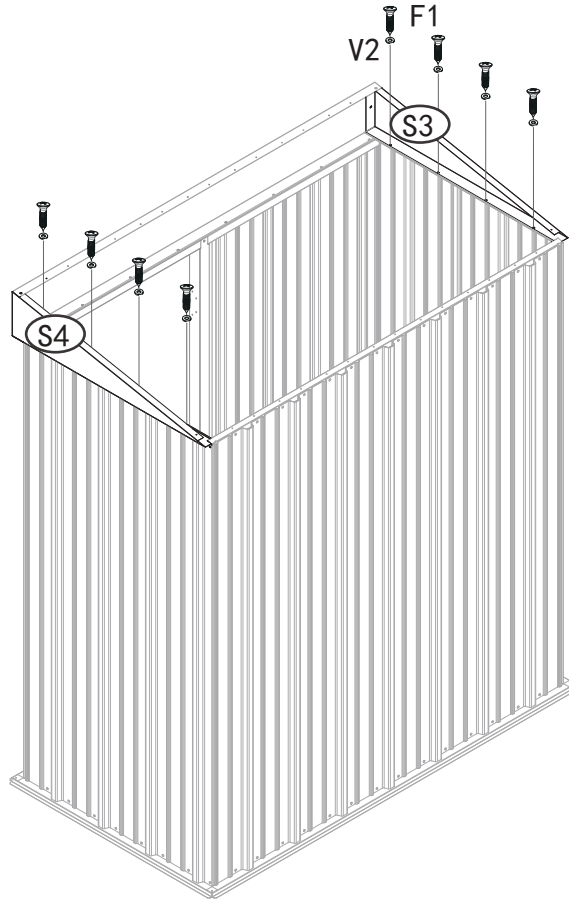


internal setup

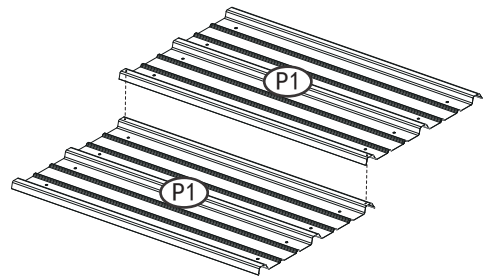
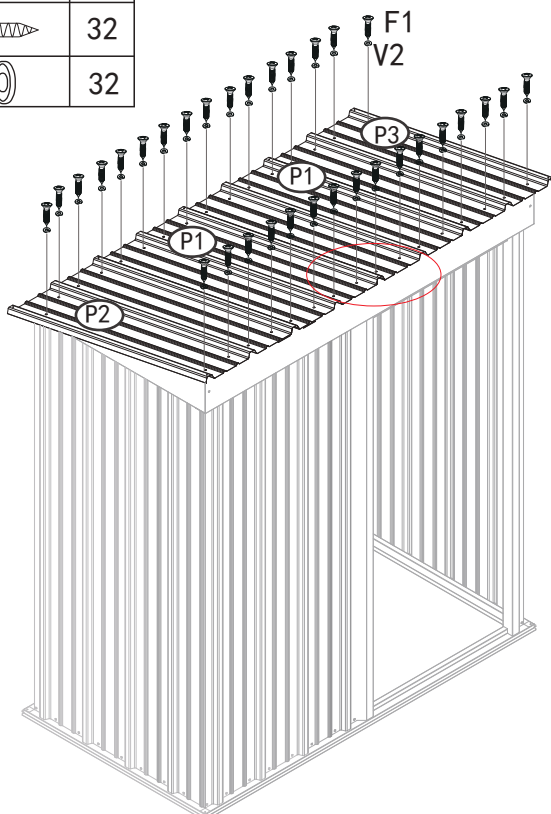
NO.	PART	Qty.
S2		1
F1		8
V2		8



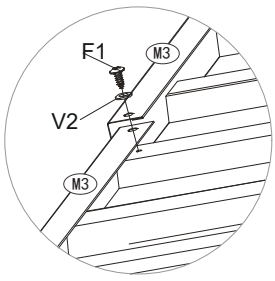
NO.	PART	Qty.
S3		1
S4		1
F1		8
V2		10
F2		2



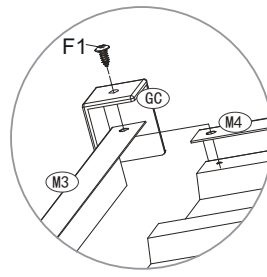
NO.	PART	Qty.
P1		2
P2		1
P3		1
F1		32
V2		32



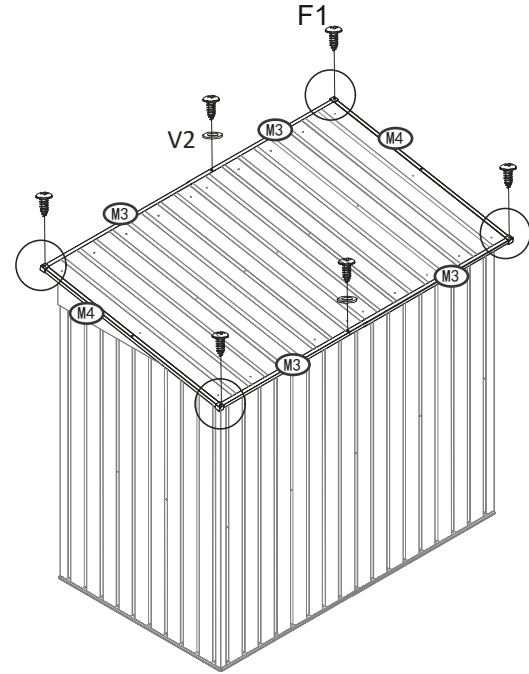
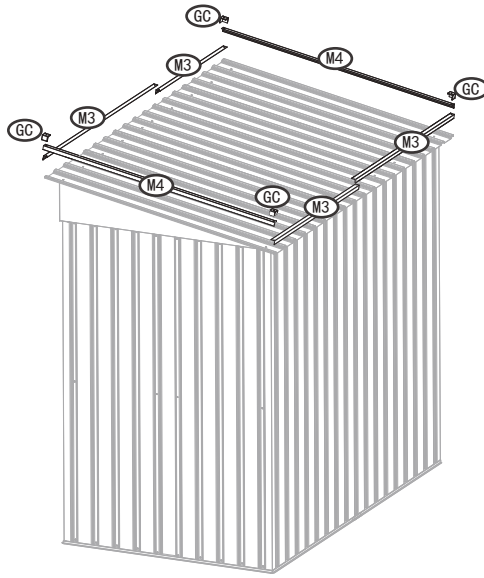
When installing P1, please note that these two holes need to be aligned installed



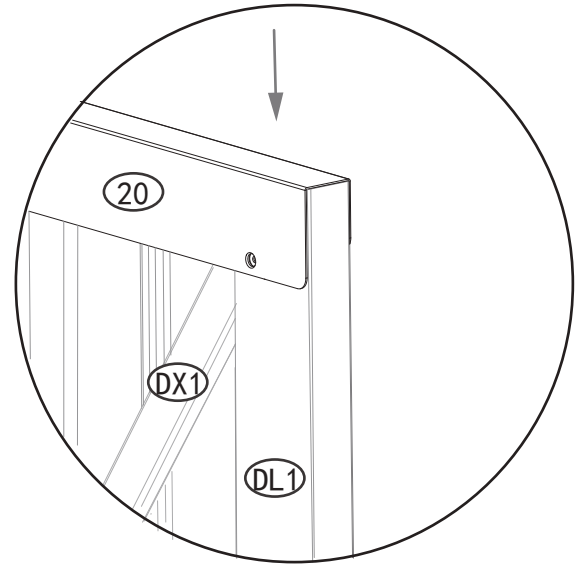
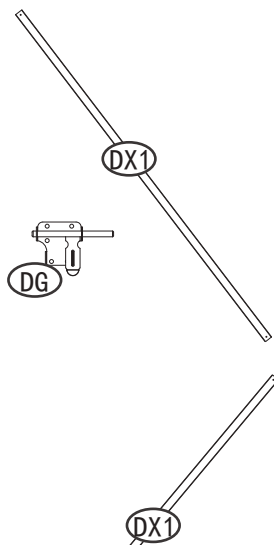
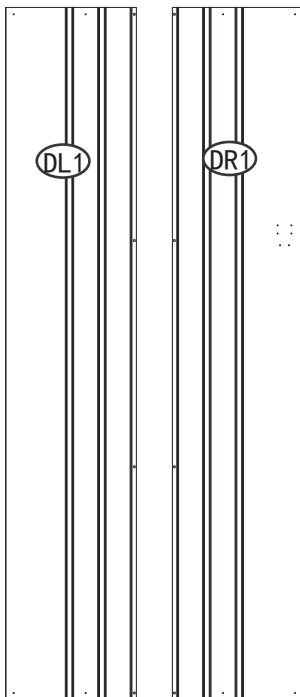
x2











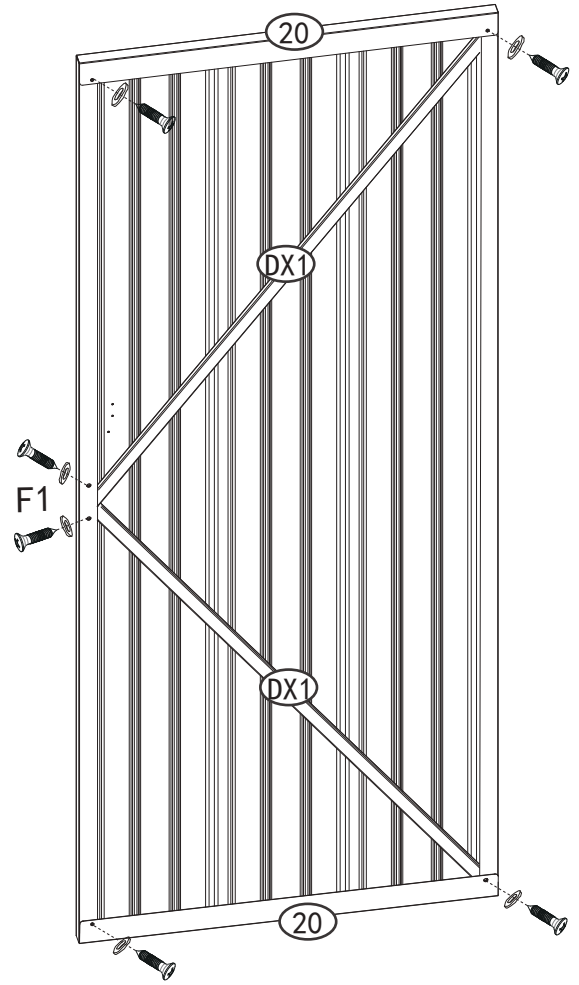
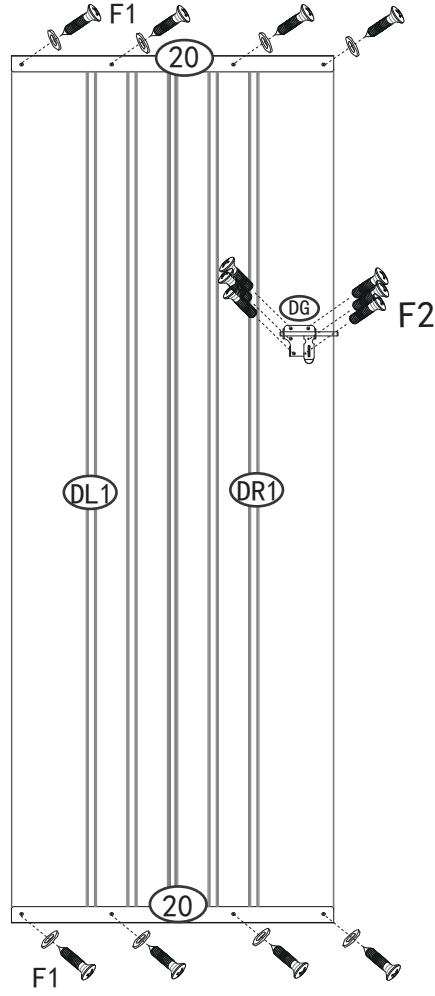
x4





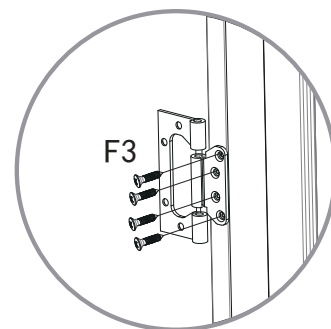
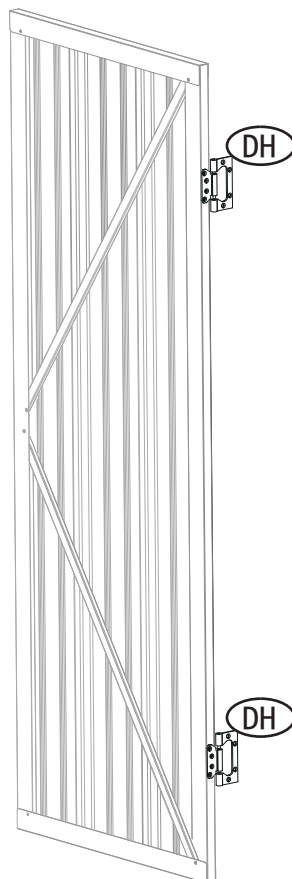
NO.	PART	Qty.
M3		4
M4		2
GC		4
F1		6
V2		2



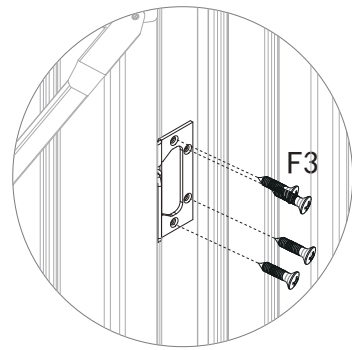
NO.	PART	Qty.
DX1		2
20		2
DL1		1
DR1		1
DG		1
F1		14
F2		6
V2		14



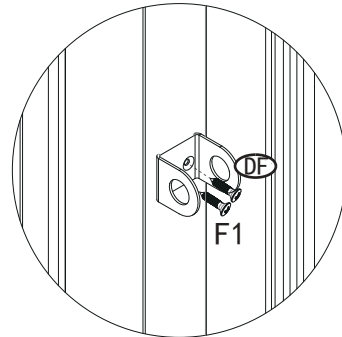
NO.	PART	Qty.
DH		2
F3		8



X2

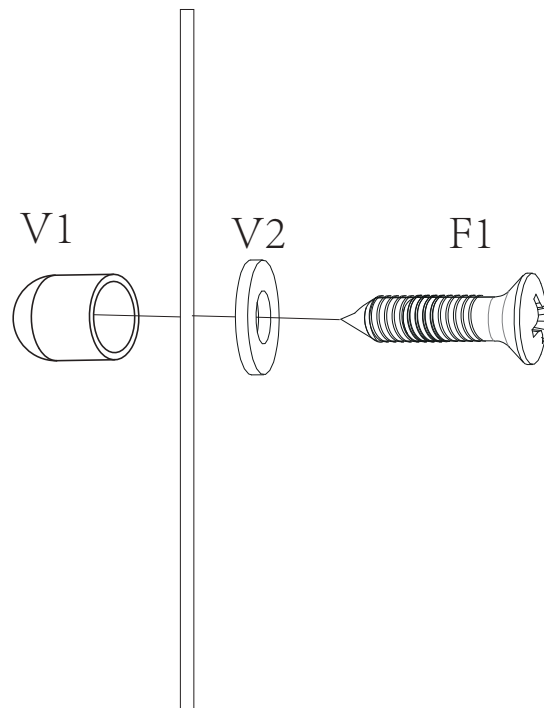


X2



NO.	PART	Qty.
DF		1
F3		8
F1		2

NO.	PART	Qty.
V1		80



Put it on the screw tip to prevent injury

