

## ASSEMBLY INSTRUCTIONS

---

# DECK BOXES

---

BE  
YOUR  
LIFE BUILDER

[www.patiowell.com](http://www.patiowell.com)



 Patiowell

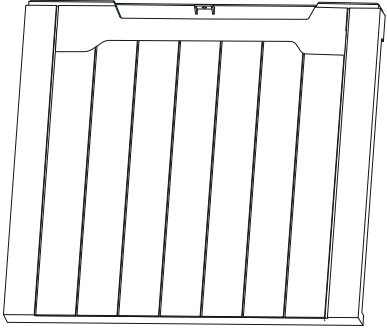
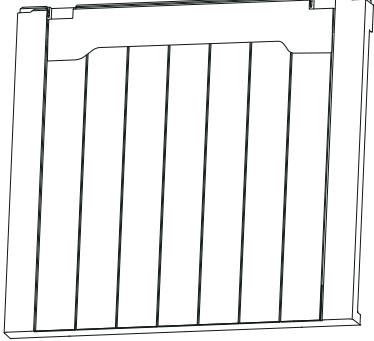
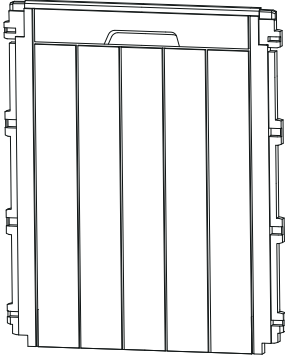
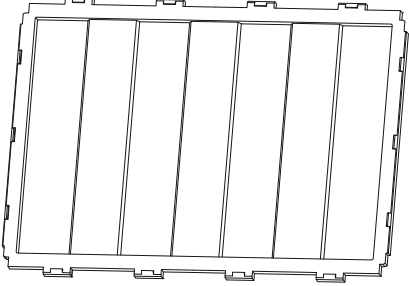
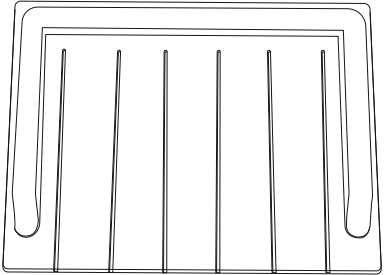
Deck Boxes  
Installation Tutorial

[https://www.patiowell.com/  
pages/video-v-psb22-0063a](https://www.patiowell.com/pages/video-v-psb22-0063a)

 [saleservice@patiowell.com](mailto:saleservice@patiowell.com)

# Parts

Check and make sure you get the components on the list, contact us for any missing

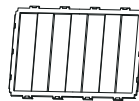
A	 <p>Front box piece</p>	X1	B	 <p>Rear box piece</p>	X1
C	 <p>Side box piece</p>	X2	D	 <p>Bottom plate</p>	X1
E	 <p>Cover</p>	X1			

# Assembly steps

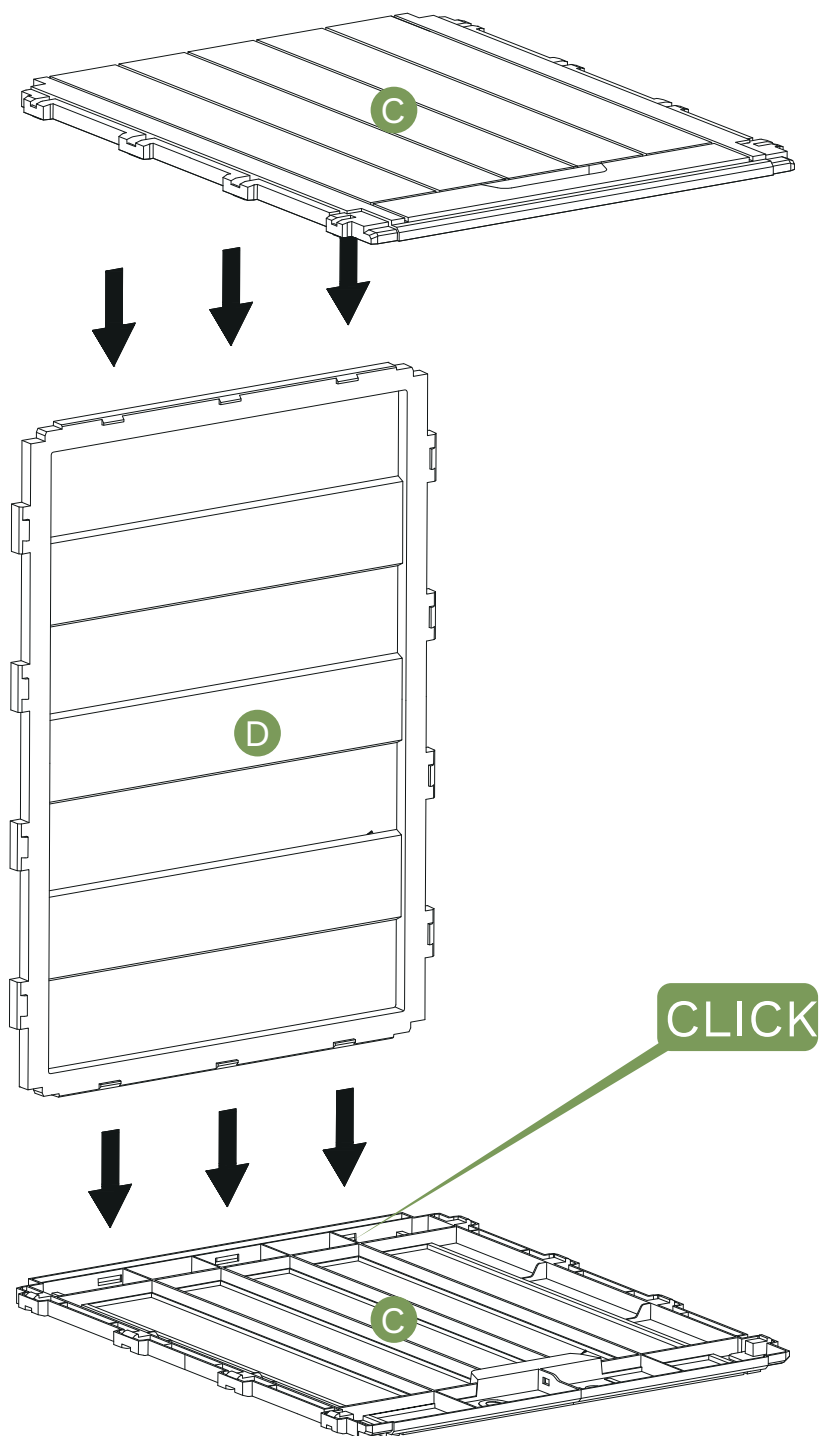
Step 1



C (X2)

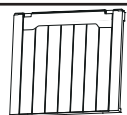


D (X1)

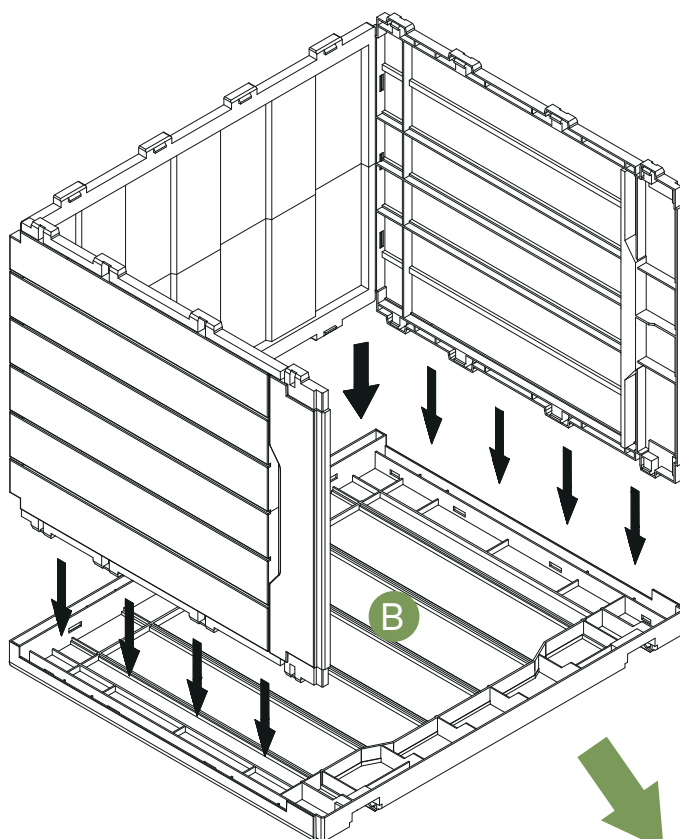


# Assembly steps

## Step 2



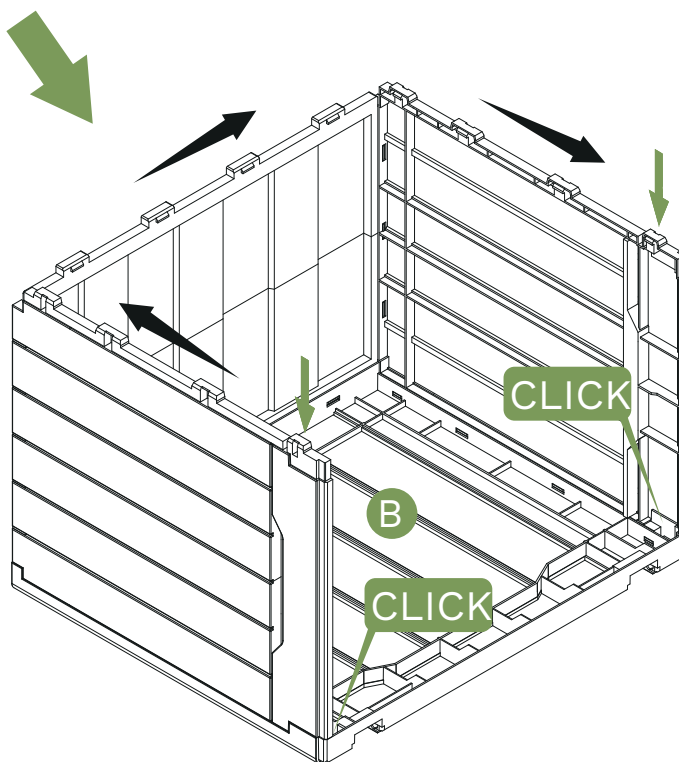
B (X1)



1. Align the slots on board B.

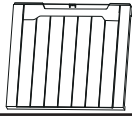
2. Fasten the two buckles on the front left and right.

3. Fasten the other buckles.

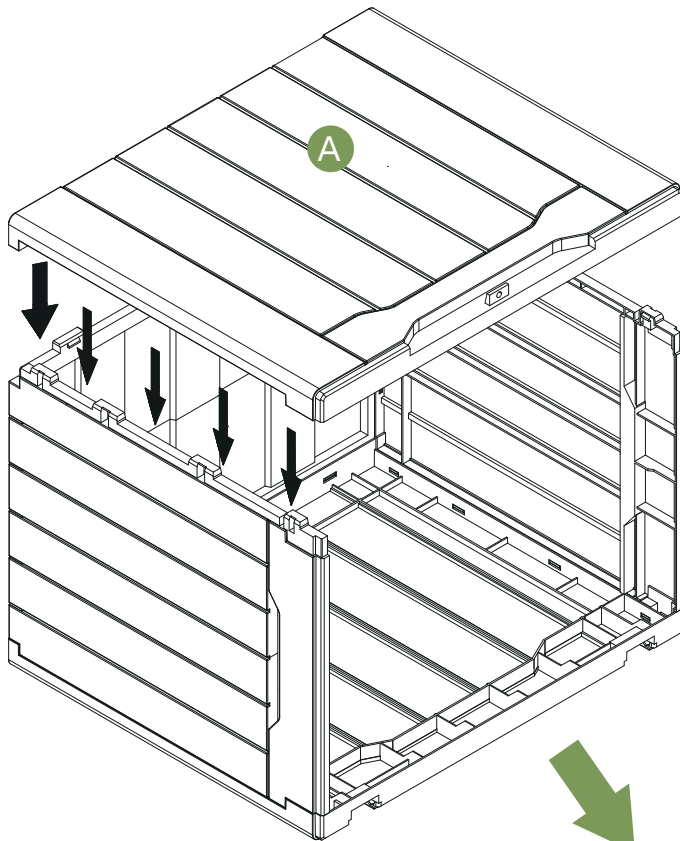


# Assembly steps

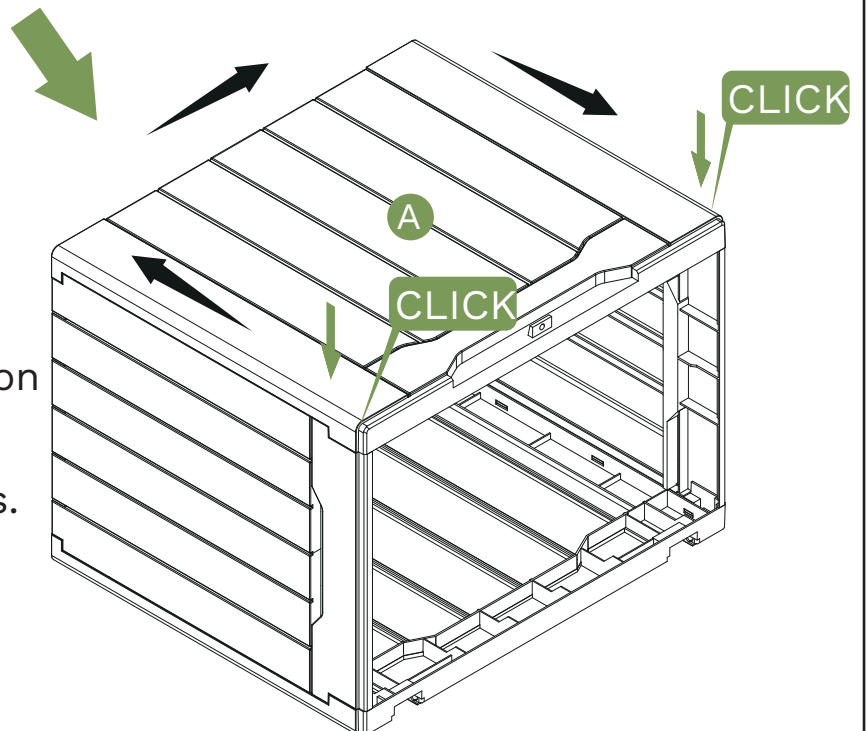
Step 3



A (X1)



1. Align the slots on board A.

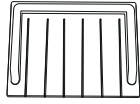


2. Fasten the two buckles on the front left and right.

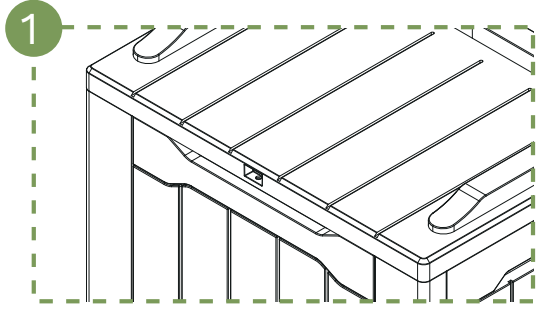
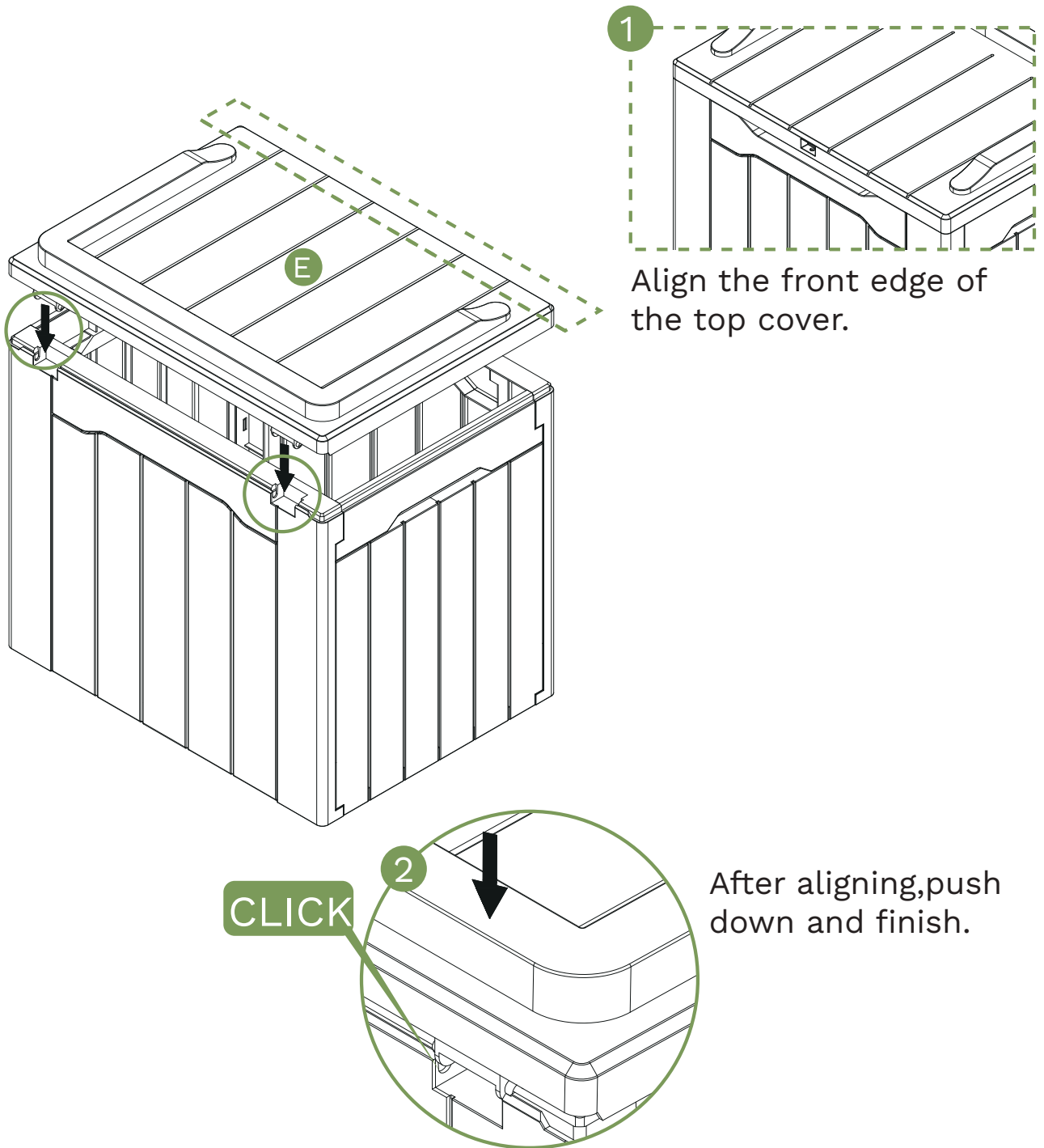
3. Fasten the other buckles.

# Assembly steps

Step 4



E (X1)



Align the front edge of the top cover.

After aligning, push down and finish.

# Assembly steps

## Step 5

