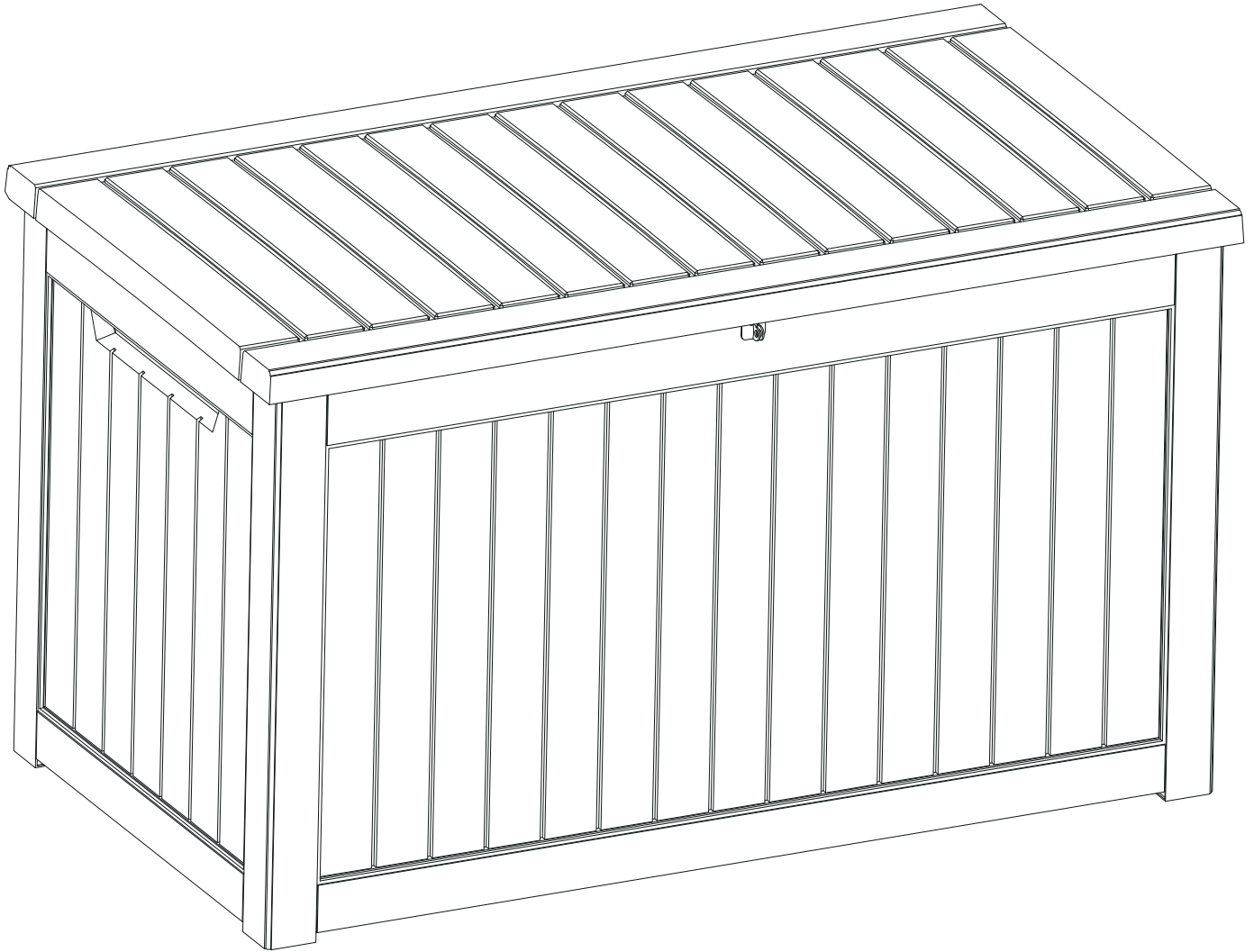


ASSEMBLY INSTRUCTIONS

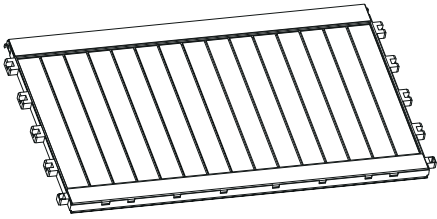
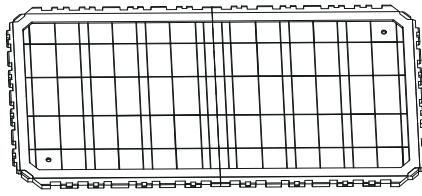
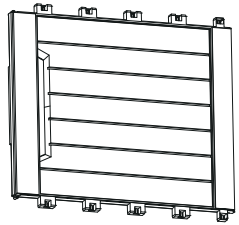
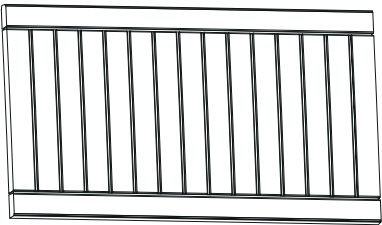
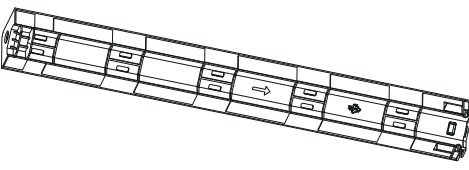
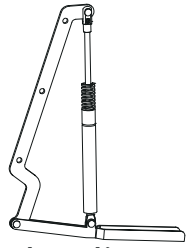


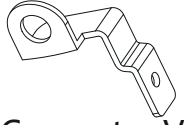
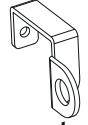

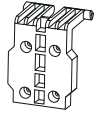
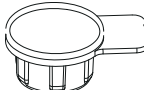
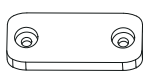

■ 1-Piece

Deck Box



Parts

Check and make sure you get the components on the list, contact us for any missing

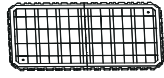
A	 Front box piece	X2	B	 Bottom plate	X1			
C	 Side box piece	X2	J	 Cover	X1			
G	 Box feet	X4	H1	 Hydraulic Rod	X2			
L	 Iron tube L (1460*20*25)	X1	L1	 Iron tube L1(1370*30*15)	X2			
V	 Connector V	X1	I	 Connector I	X1	G2	 Supporting item G2	X4
E	 Hinge	X1	Q	 Plug	X2	T	 Card	X1
M3.9 *16	 Self-tapping screws	X30						



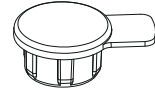
Tips: DO NOT tighten any screws until all the parts are put together.

Assembly steps

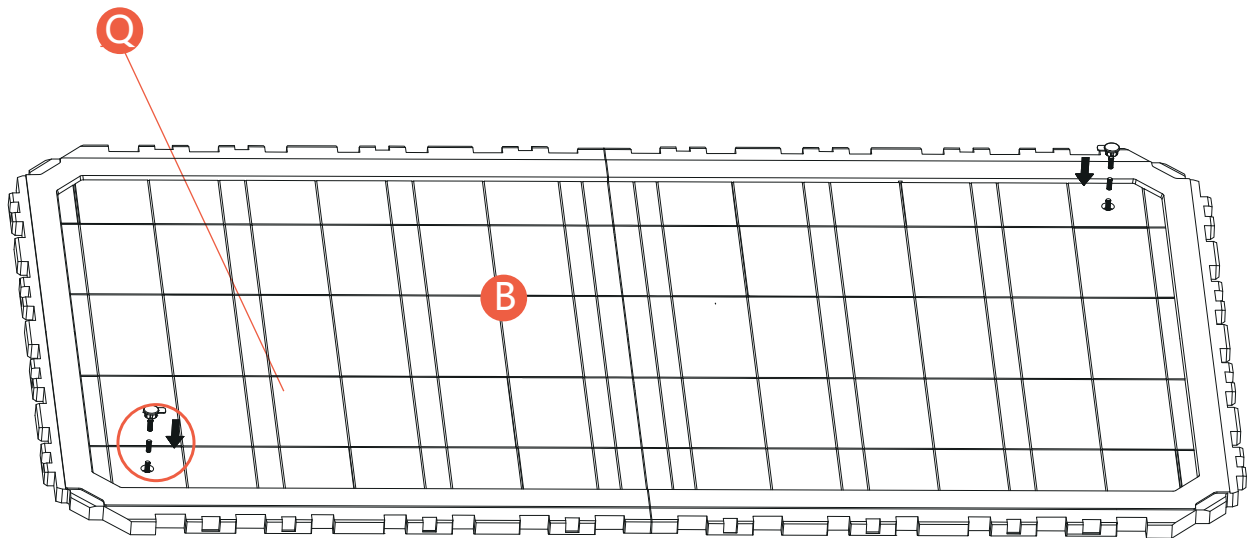
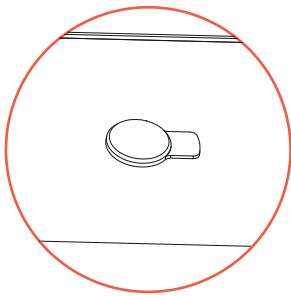
Step 1



B (X1)

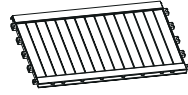


Q (X2)

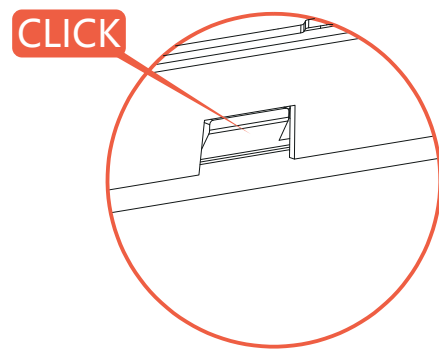
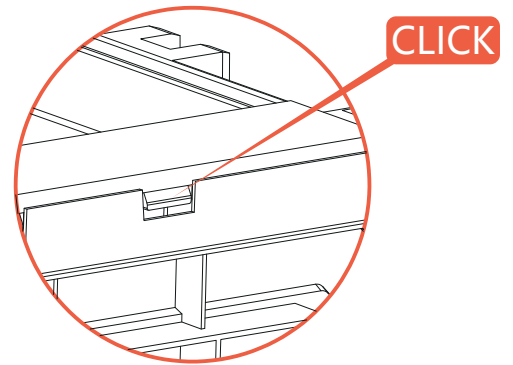
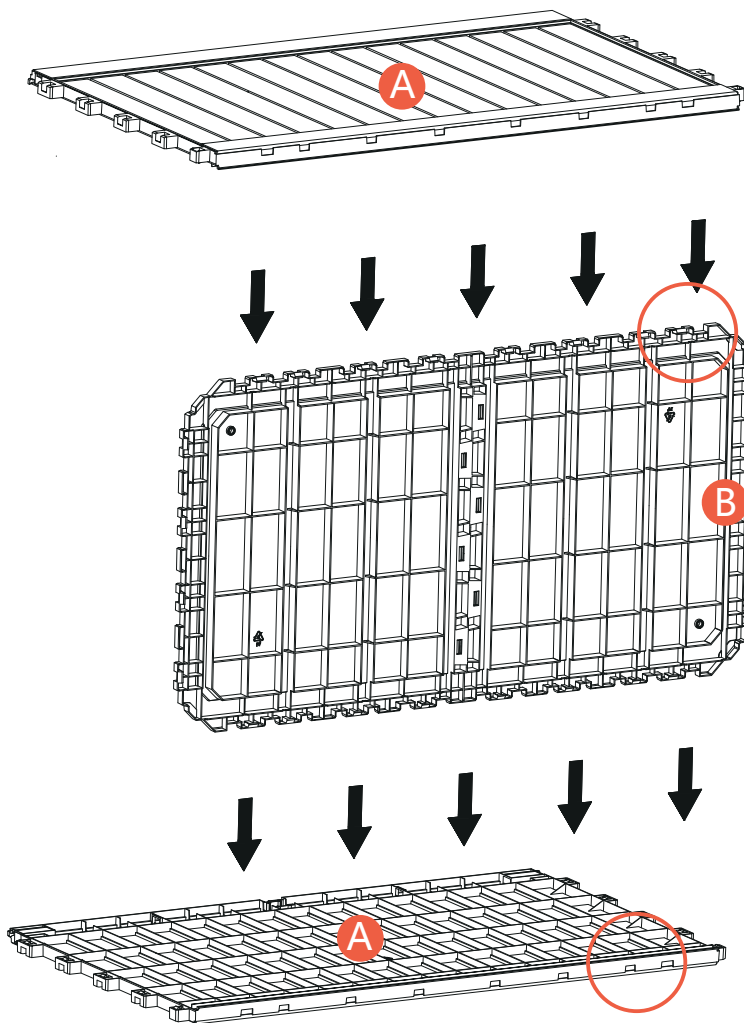


Assembly steps

Step 2



A (X2)

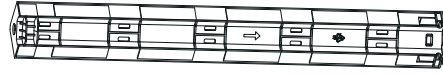


Assembly steps

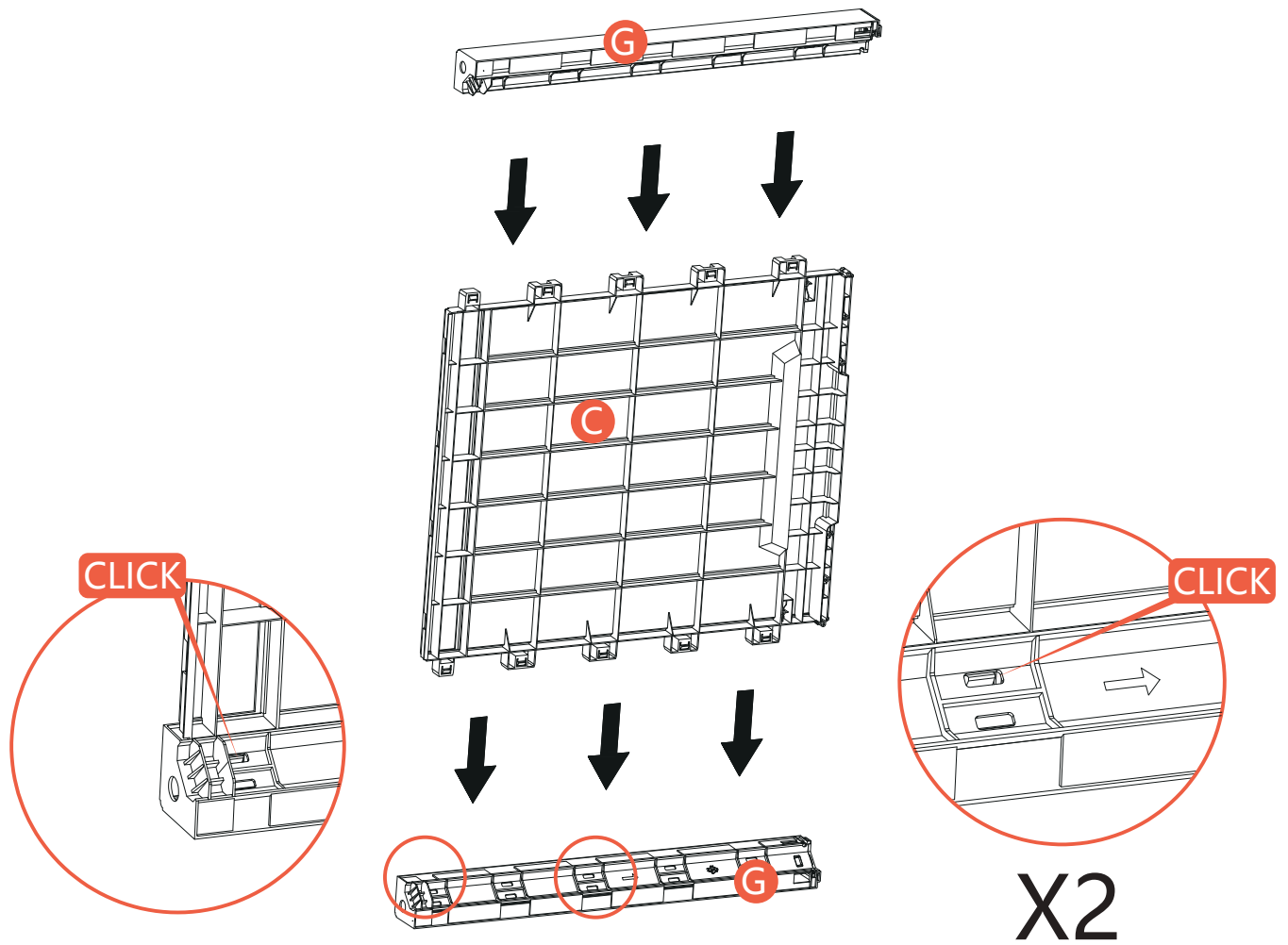
Step 3



C (X2)

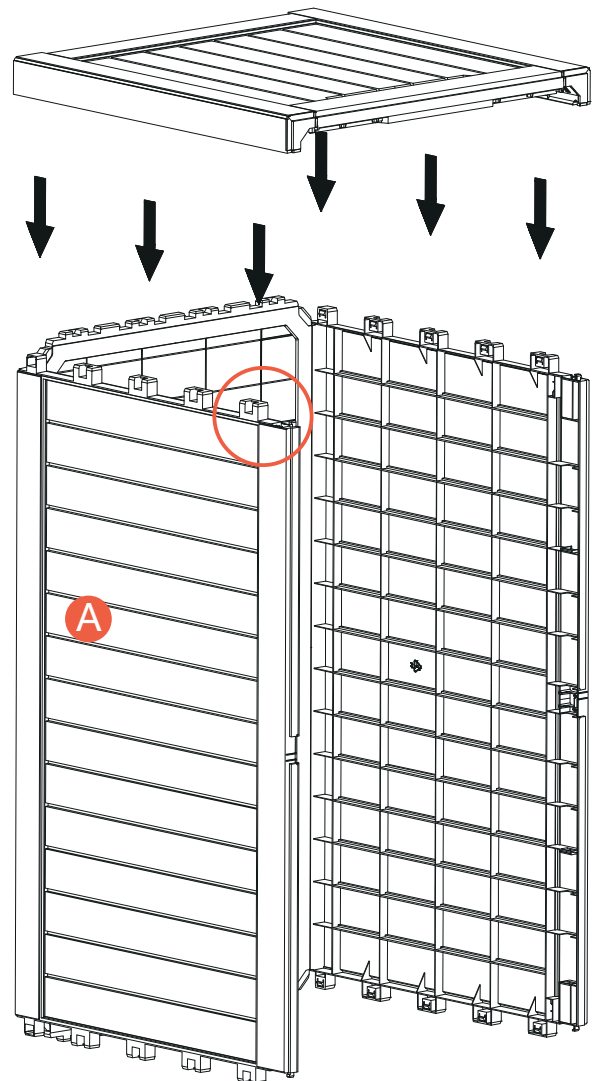
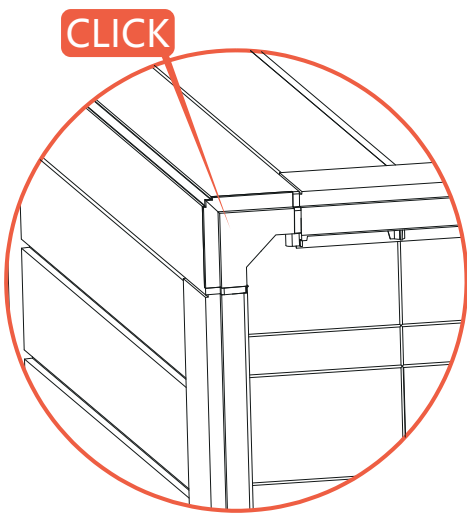


G (X4)



Assembly steps

Step 4

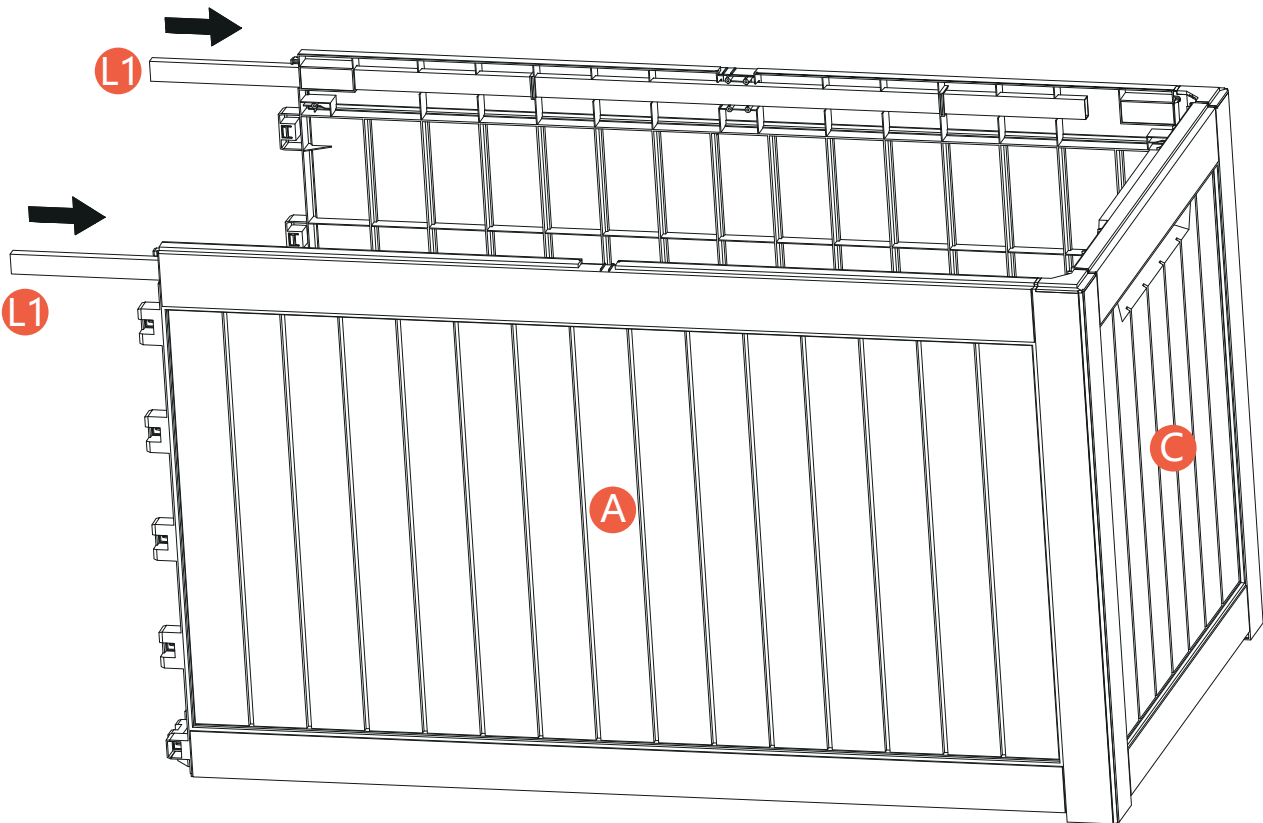


Assembly steps

Step 5

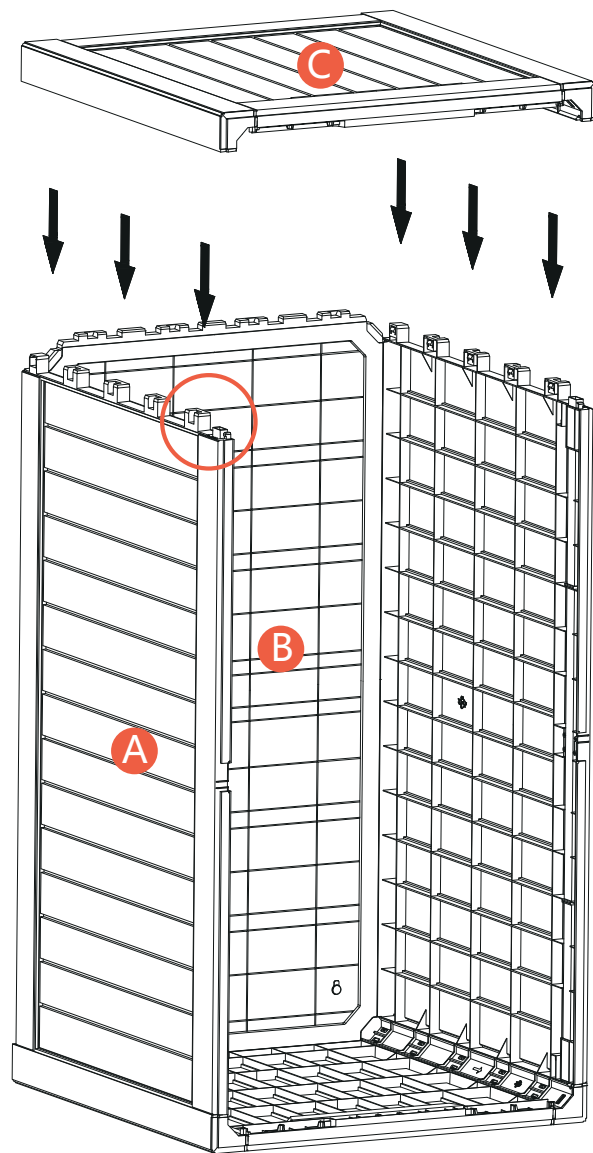
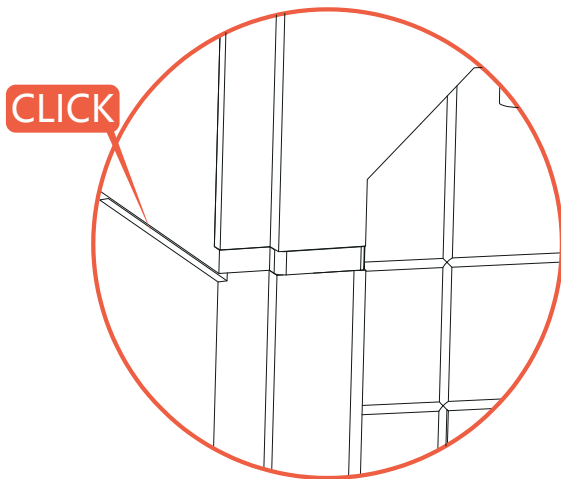


L1 1370*30*15 (X2)



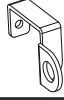
Assembly steps

Step 6



Assembly steps

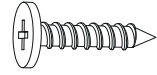
Step 7



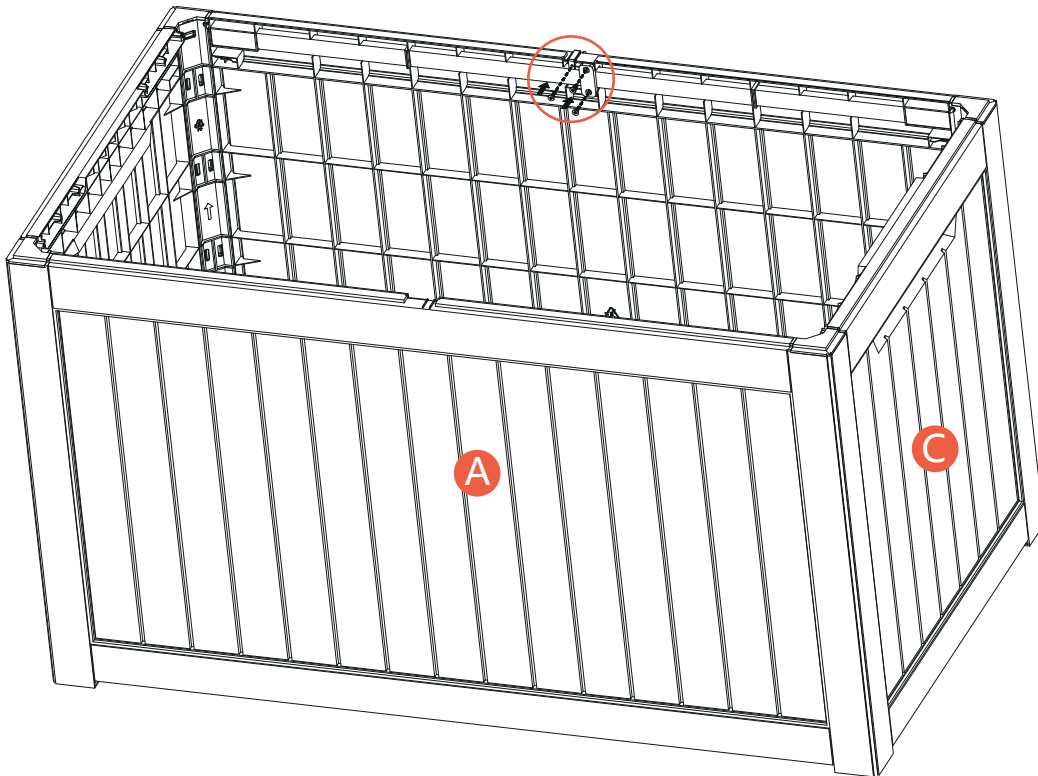
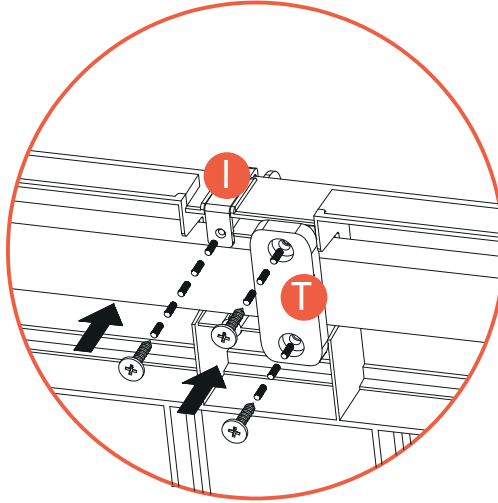
I (X1)



T (X1)



(X3)

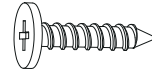


Assembly steps

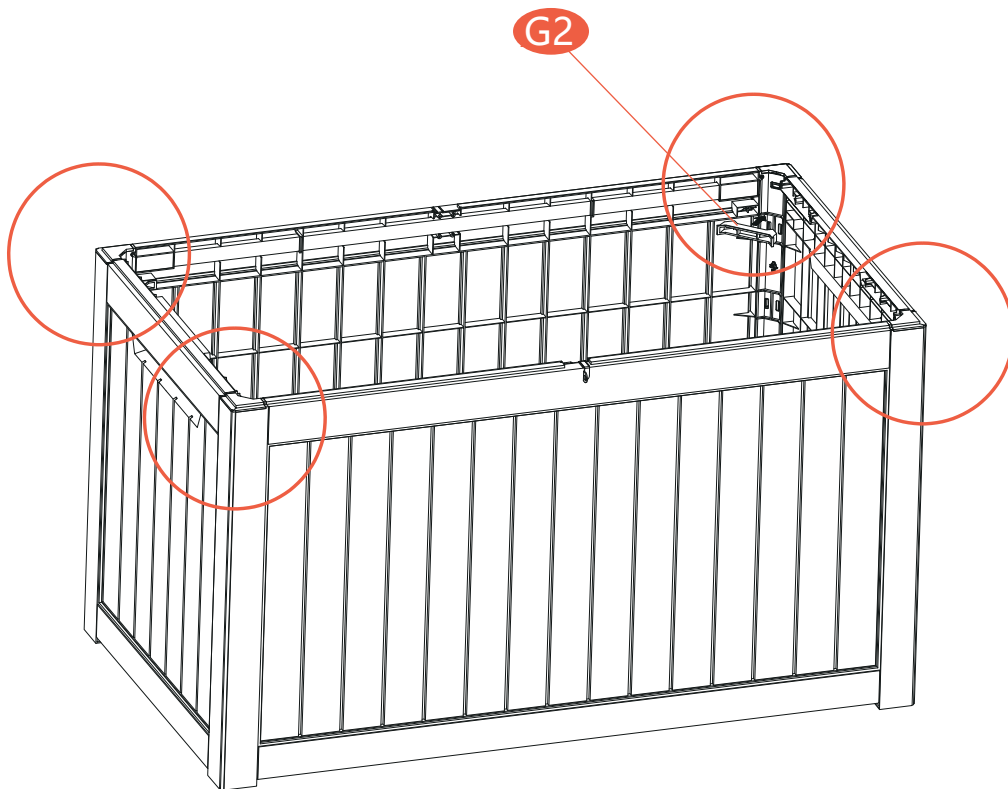
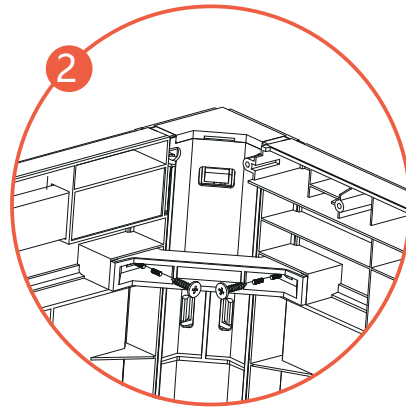
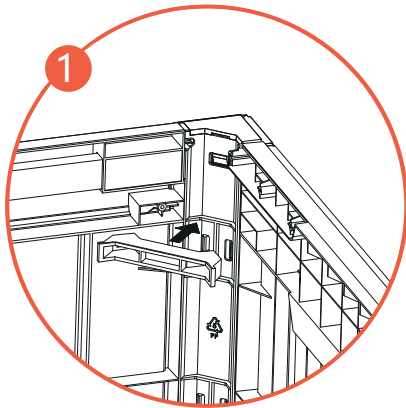
Step 8



G2 (X4)



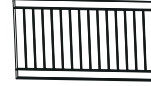
(X8)



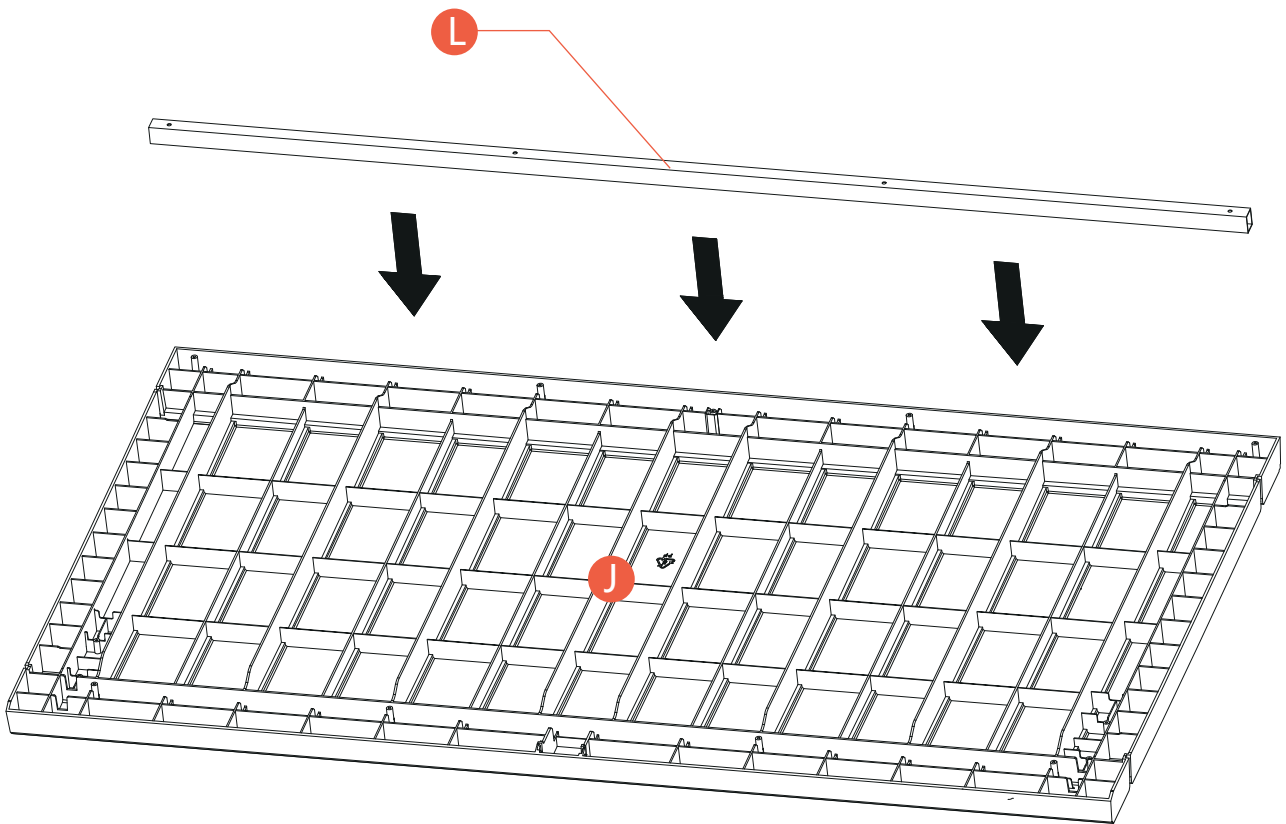
Assembly steps

Step 9

 L 1460*20*25 (X1)

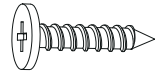


J (X1)

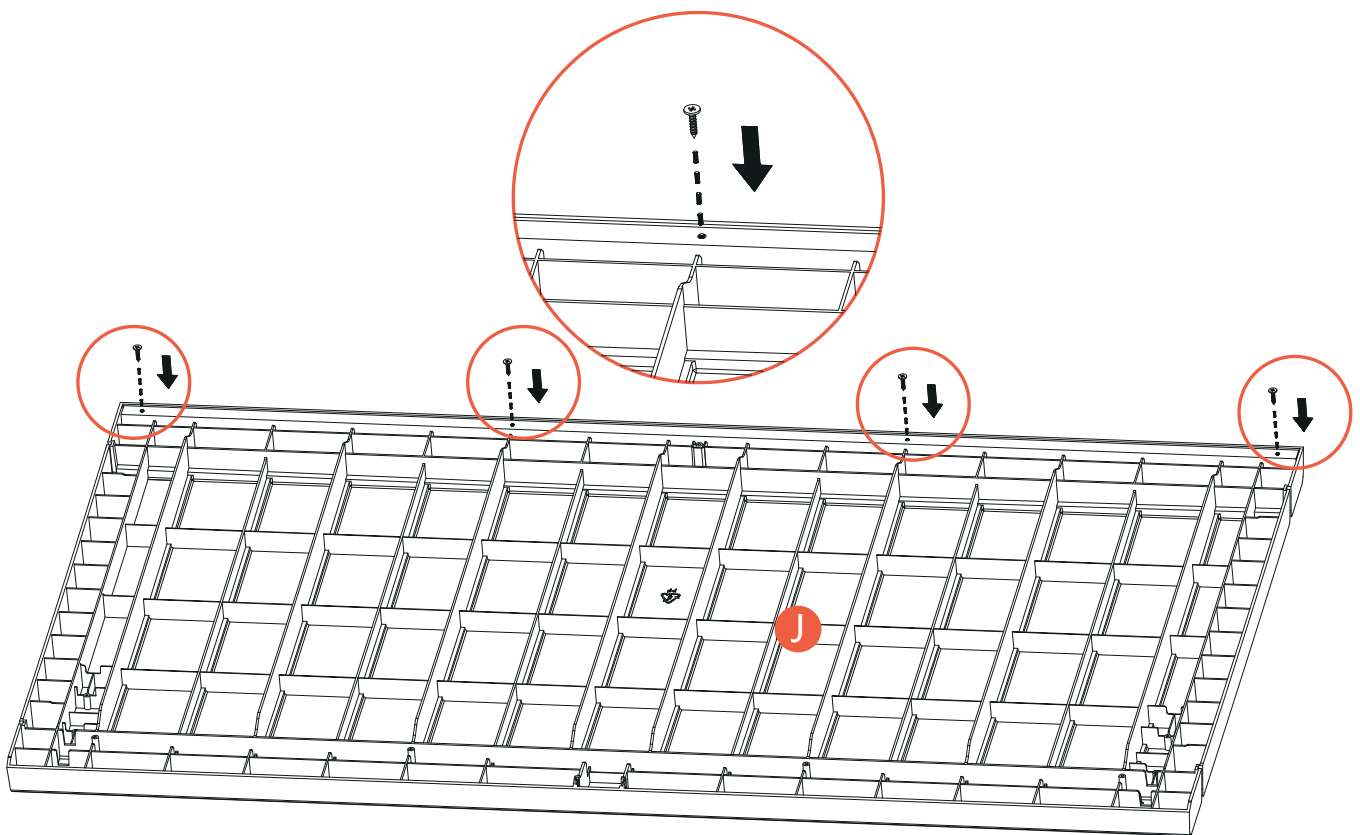


Assembly steps

Step 10



(X4)

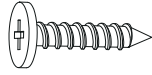


Assembly steps

Step 11



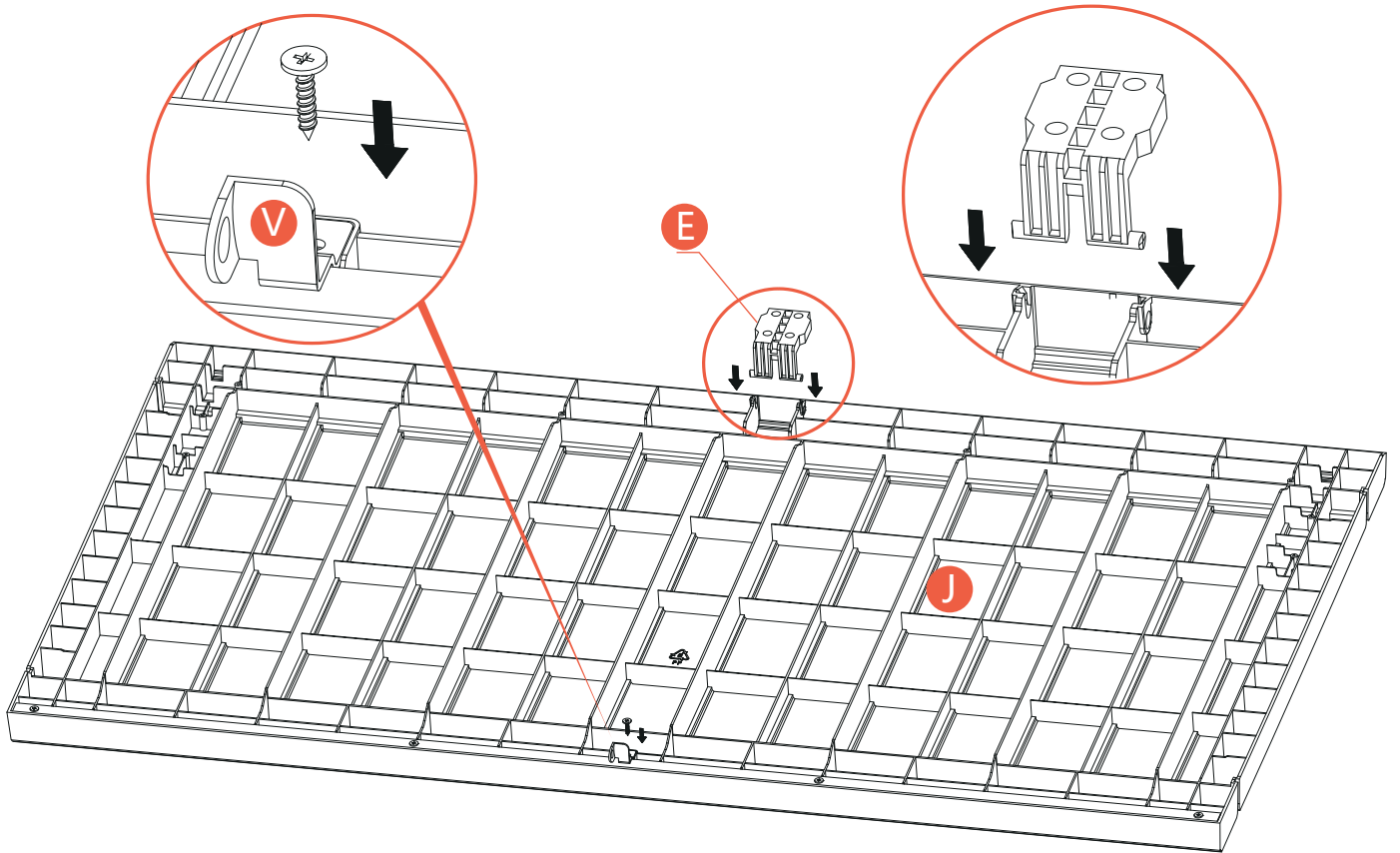
E (X1)



(X1)



V (X1)

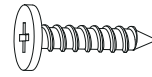


Assembly steps

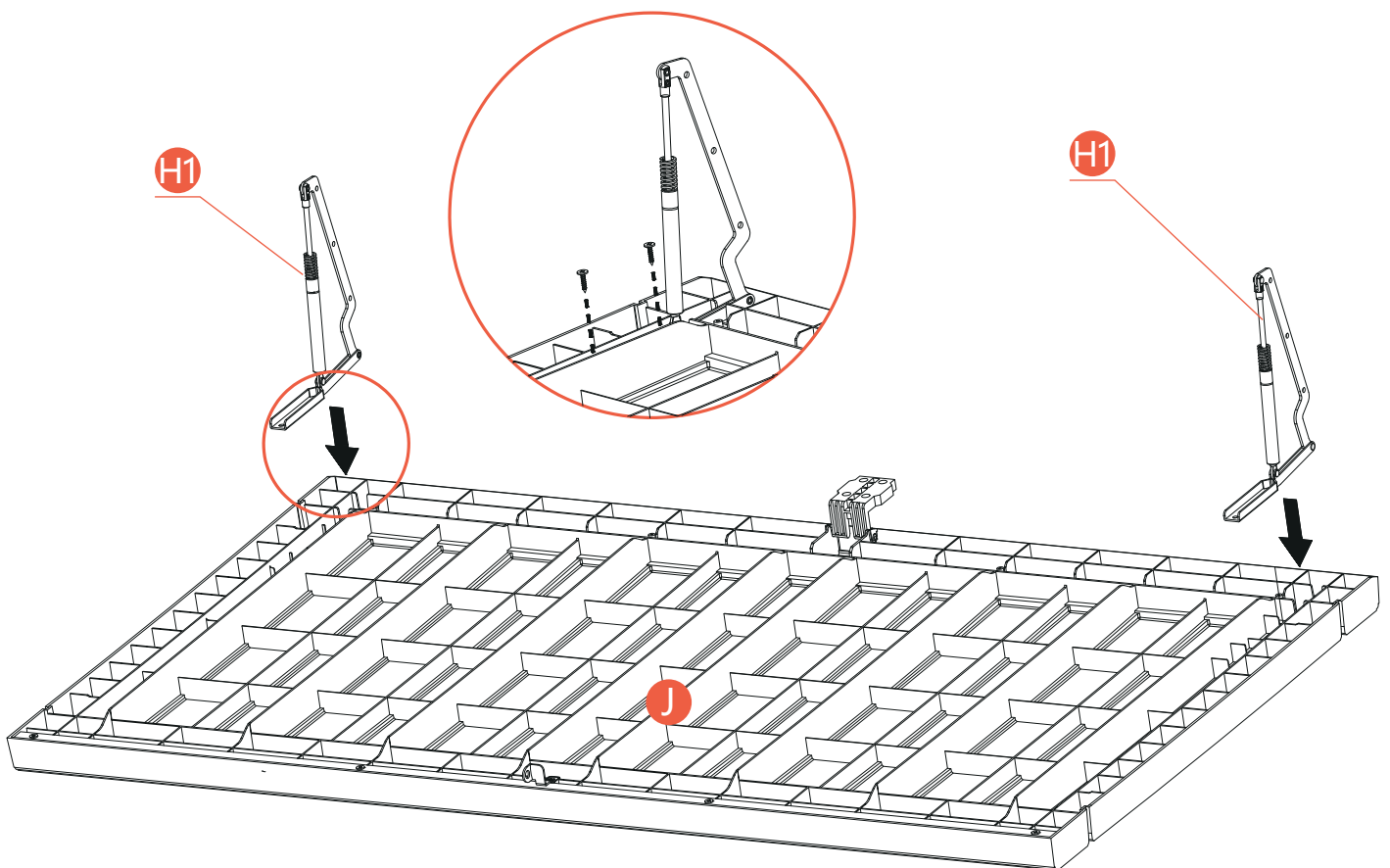
Step 12



H1 (X2)

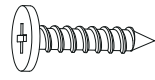


(X4)

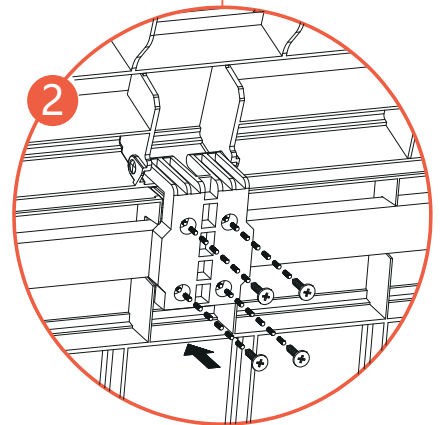
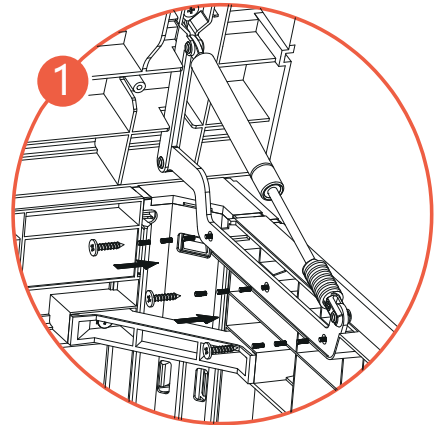
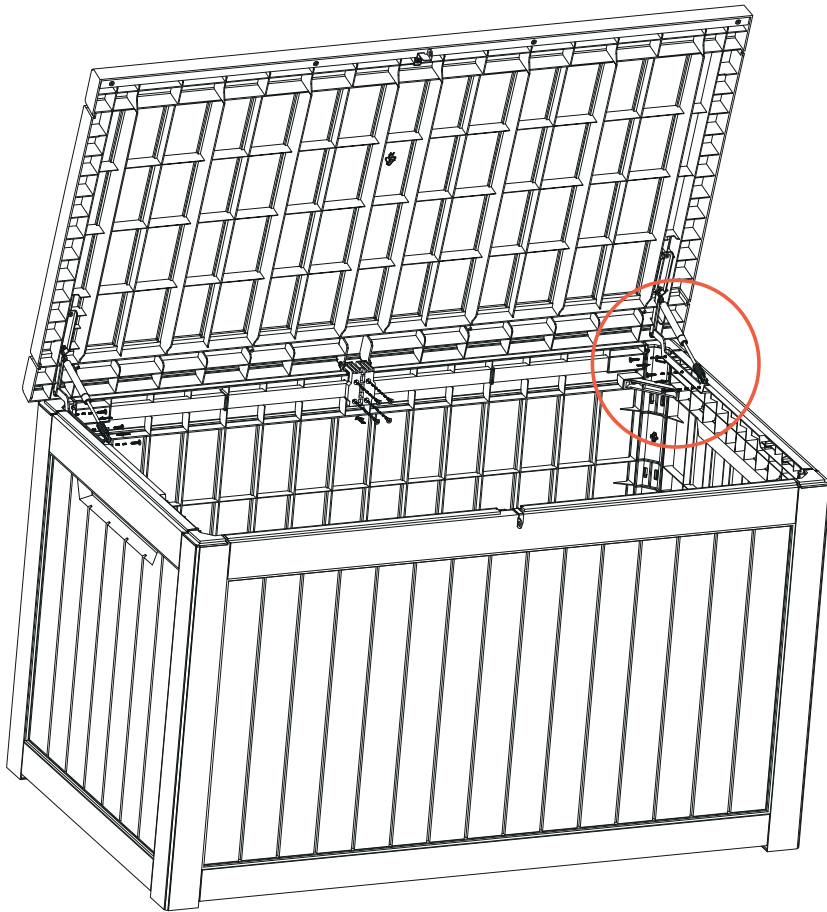


Assembly steps

Step 13



(X10)



Assembly steps

Step 14

