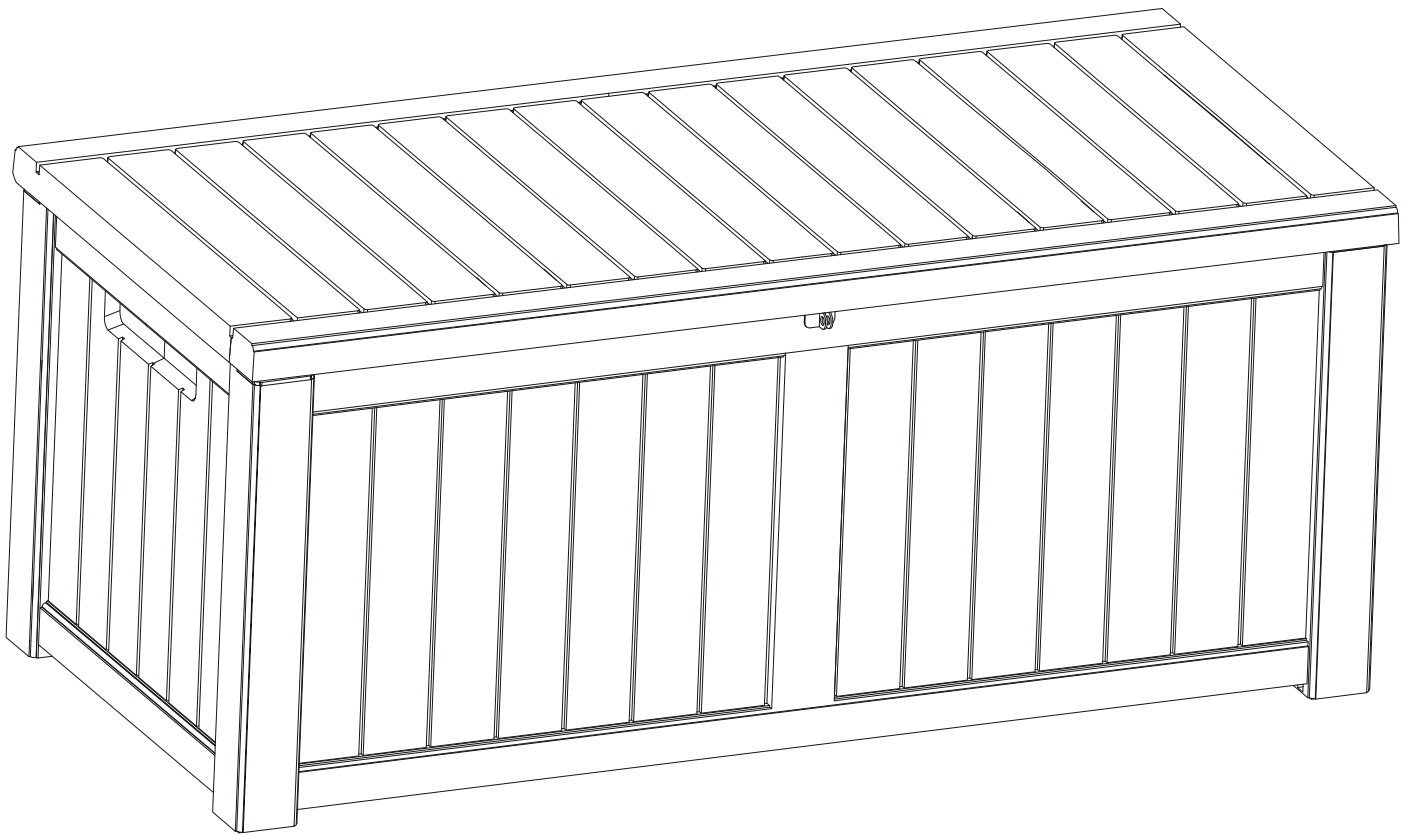


# ASSEMBLY INSTRUCTIONS

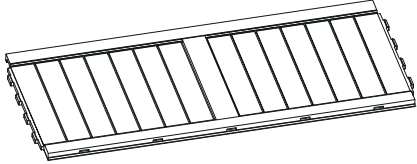
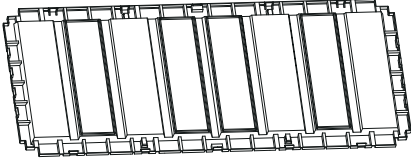
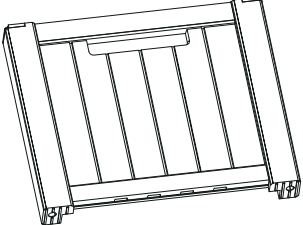

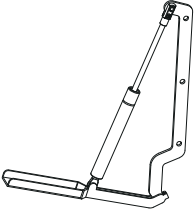
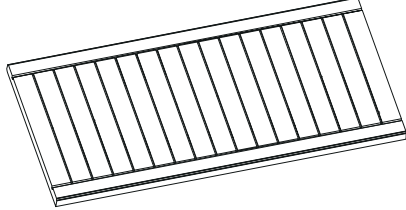
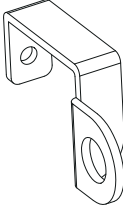
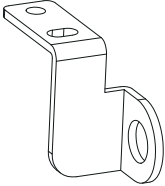
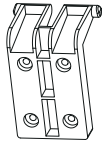

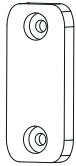
---

- **1-Piece**  
Storage Box



# Parts

Check and make sure you get the components on the list, contact us for any missing

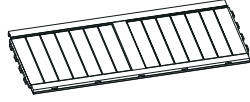
A	 <p>Front box piece</p>	X2	B	 <p>Bottom plate</p>	X1			
C	 <p>Side box piece</p>	X2	D	 <p>Iron tube</p>	X3			
H	 <p>Hardware bagv</p>	X2	J	 <p>Cover</p>	X1			
G	 <p>Connector G</p>	X2	I	 <p>Connector I</p>	X1			
E	 <p>Hinge</p>	X3	L	 <p>Self-tapping screws</p>	X39	T	 <p>Card</p>	X7



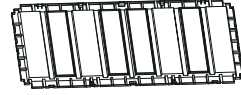
**Tips: DO NOT tighten any screws until all the parts are put together.**

# Assembly steps

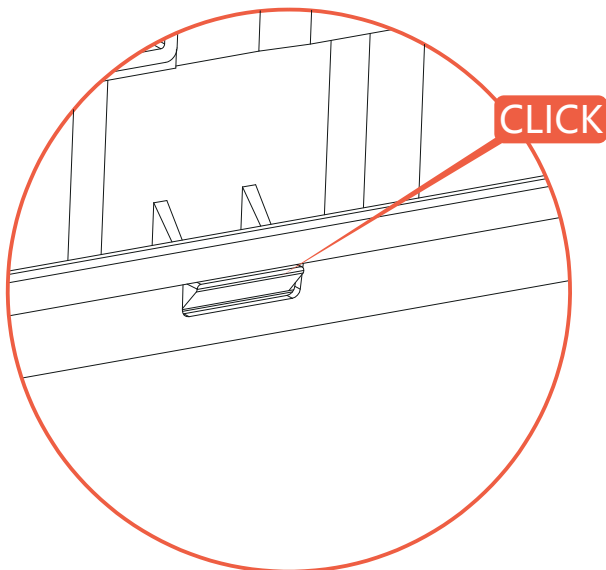
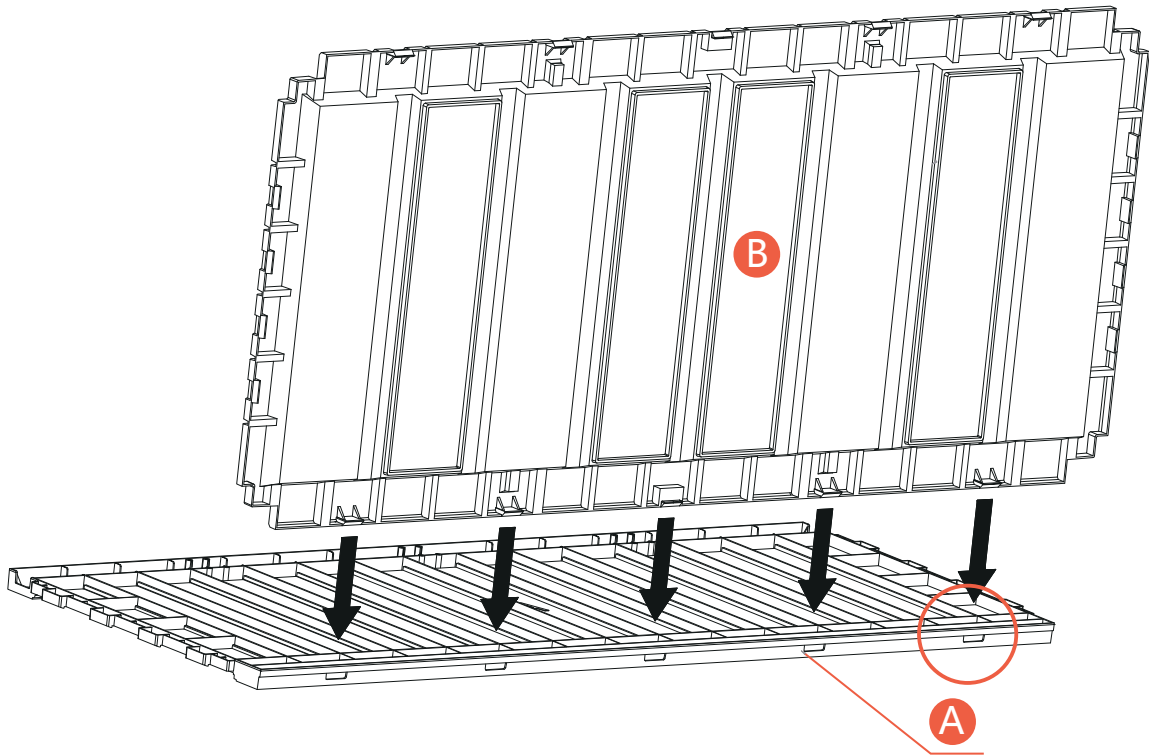
Step 1



A (X1)

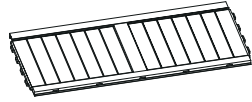


B (X1)

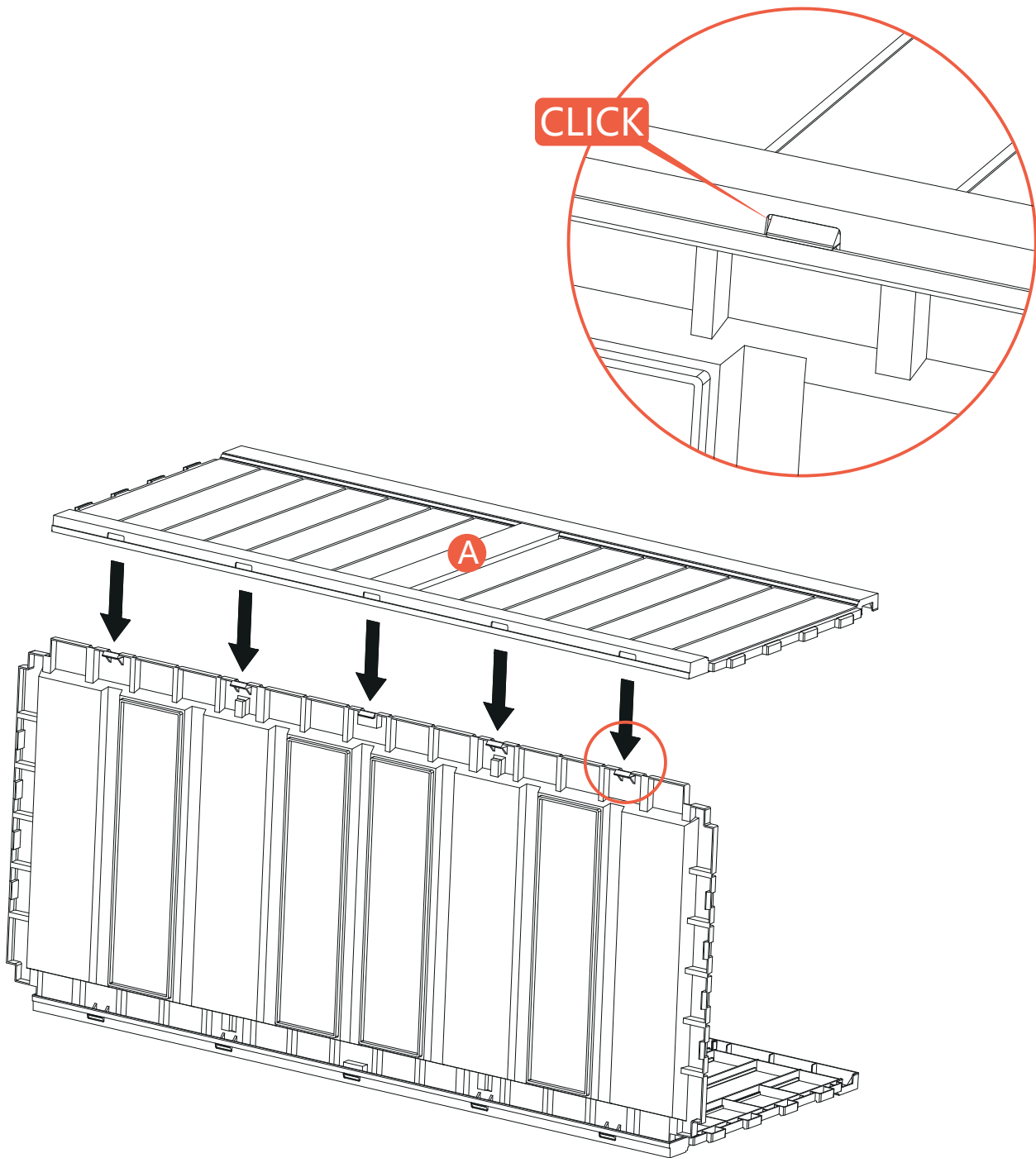


# Assembly steps

Step 2



A (X1)

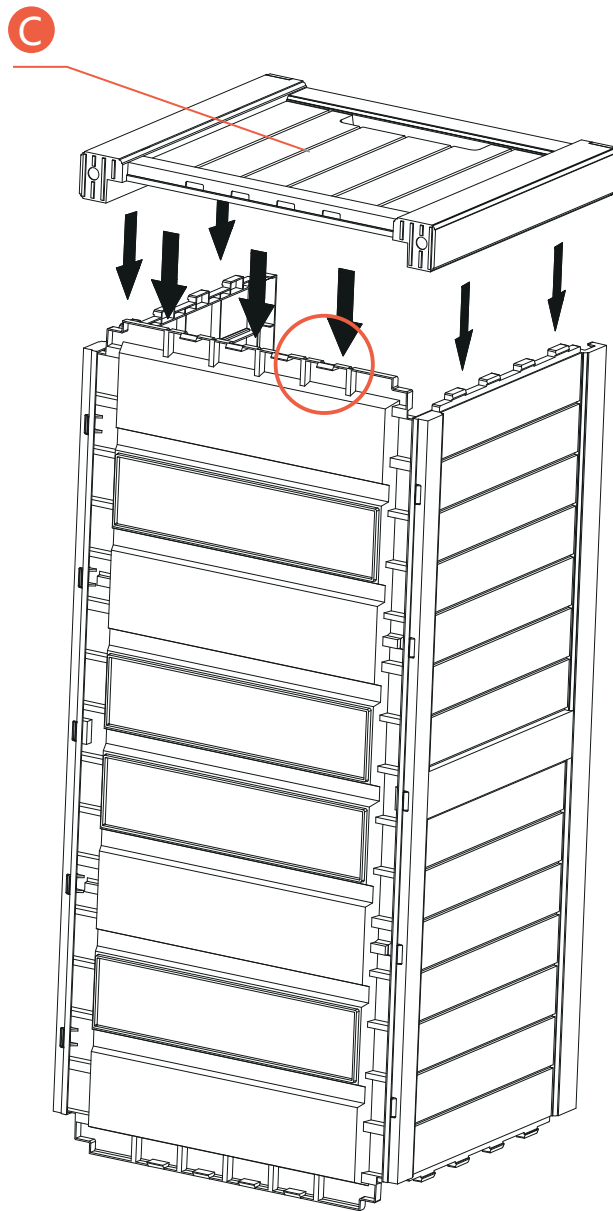


# Assembly steps

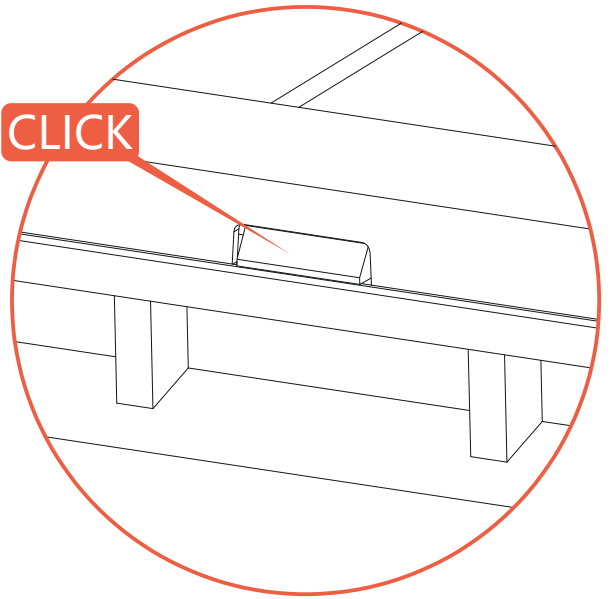
Step 3



C (X1)



CLICK

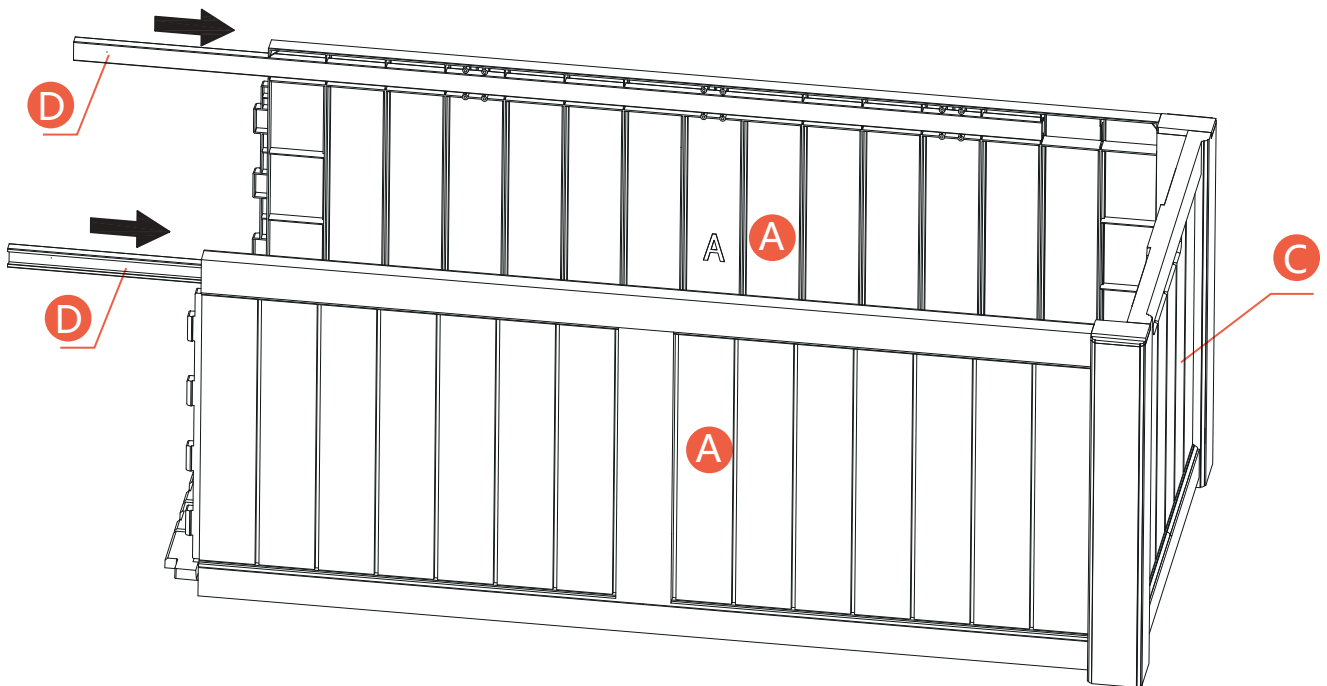


# Assembly steps

Step 4



D (X2)

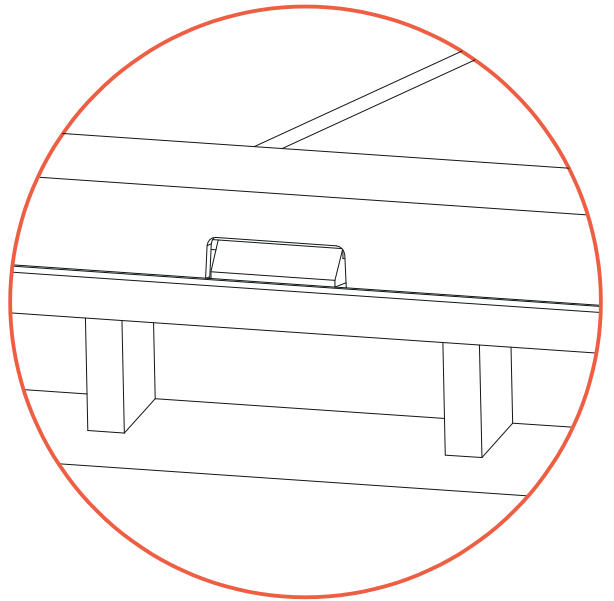
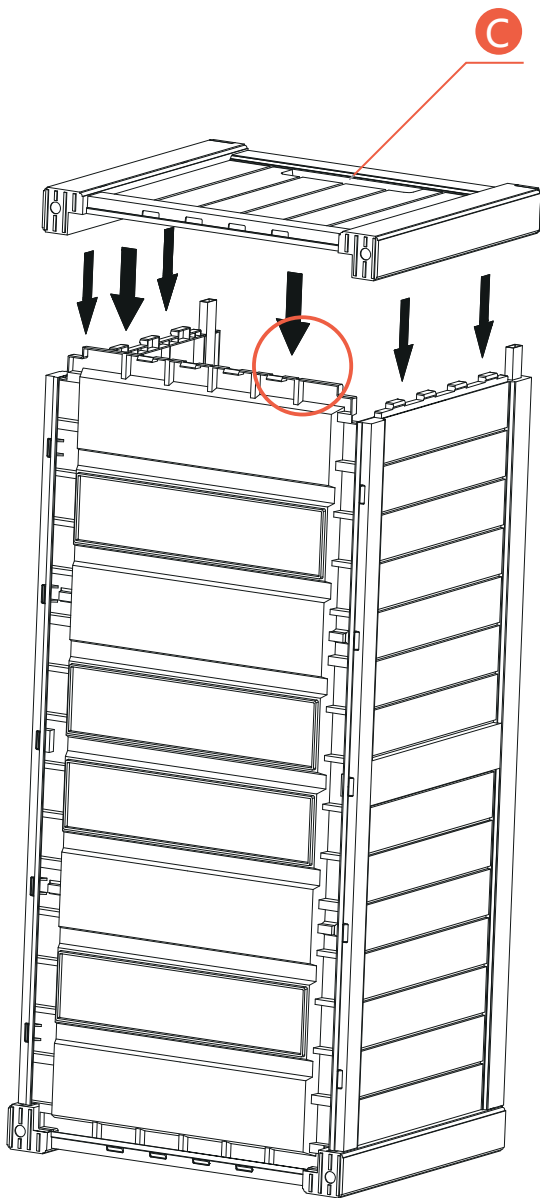


# Assembly steps

Step 5



C (X1)



# Assembly steps

Step 6



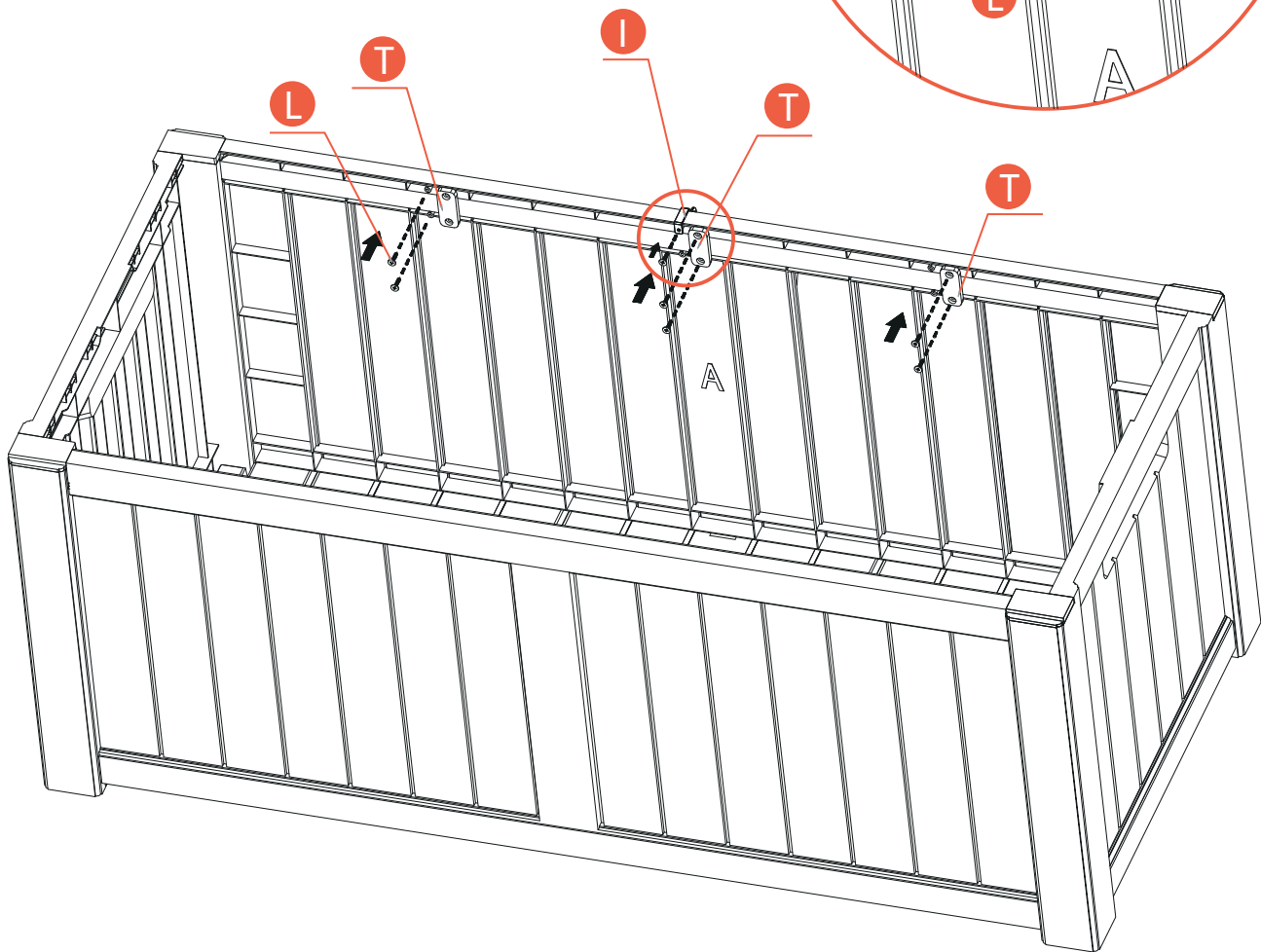
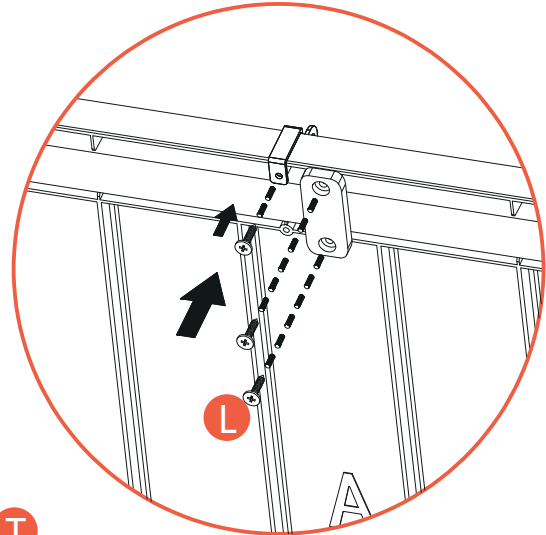
L (X7)



I (X1)



T (X3)



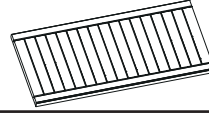


# Assembly steps

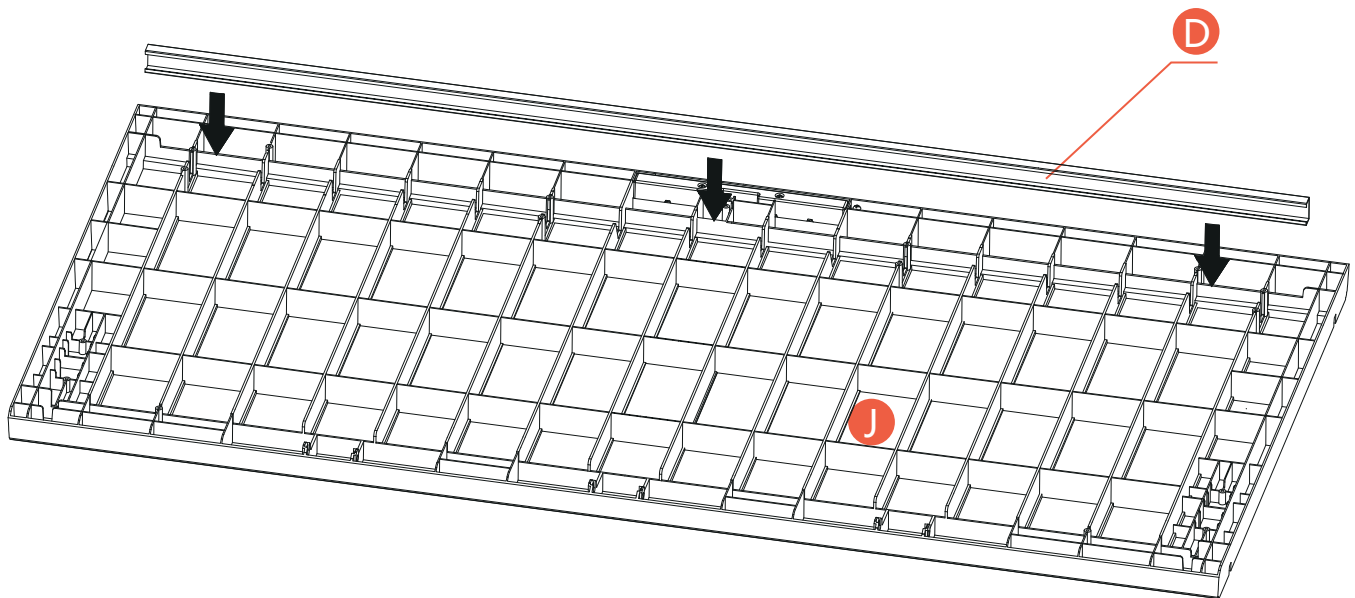
Step 7



D (X1)



J (X1)

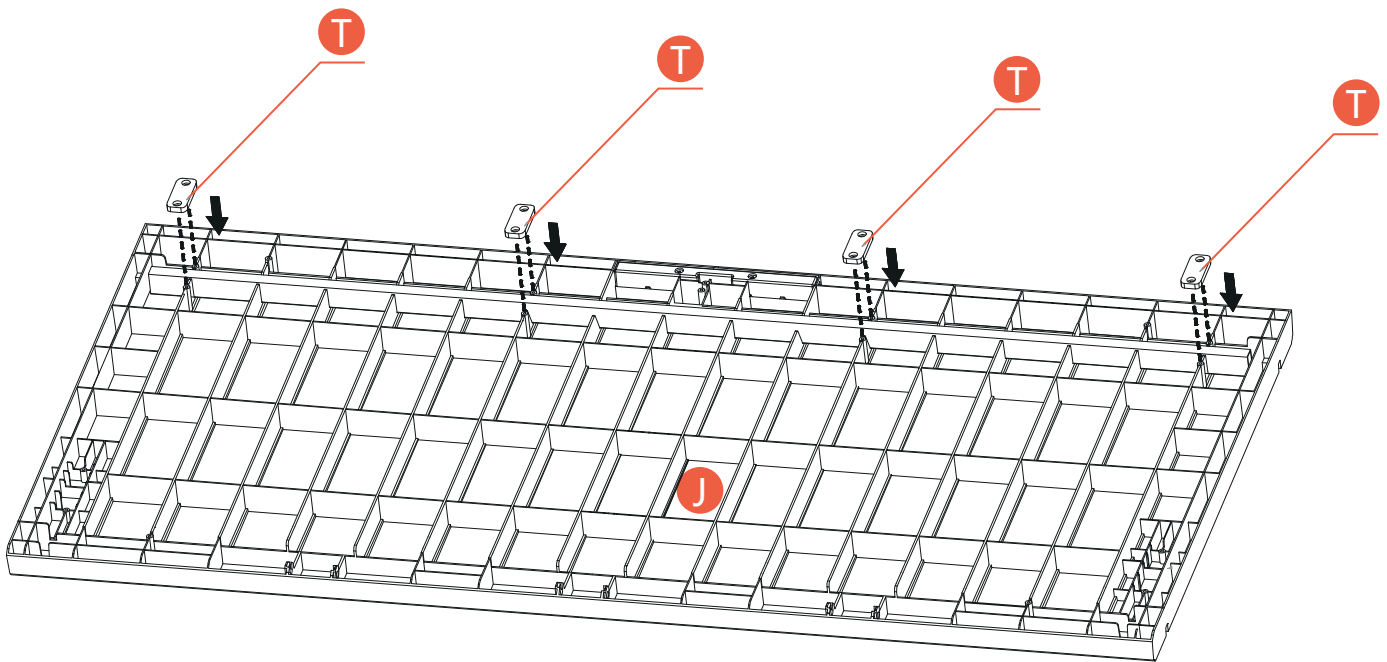


# Assembly steps

Step 8

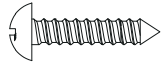


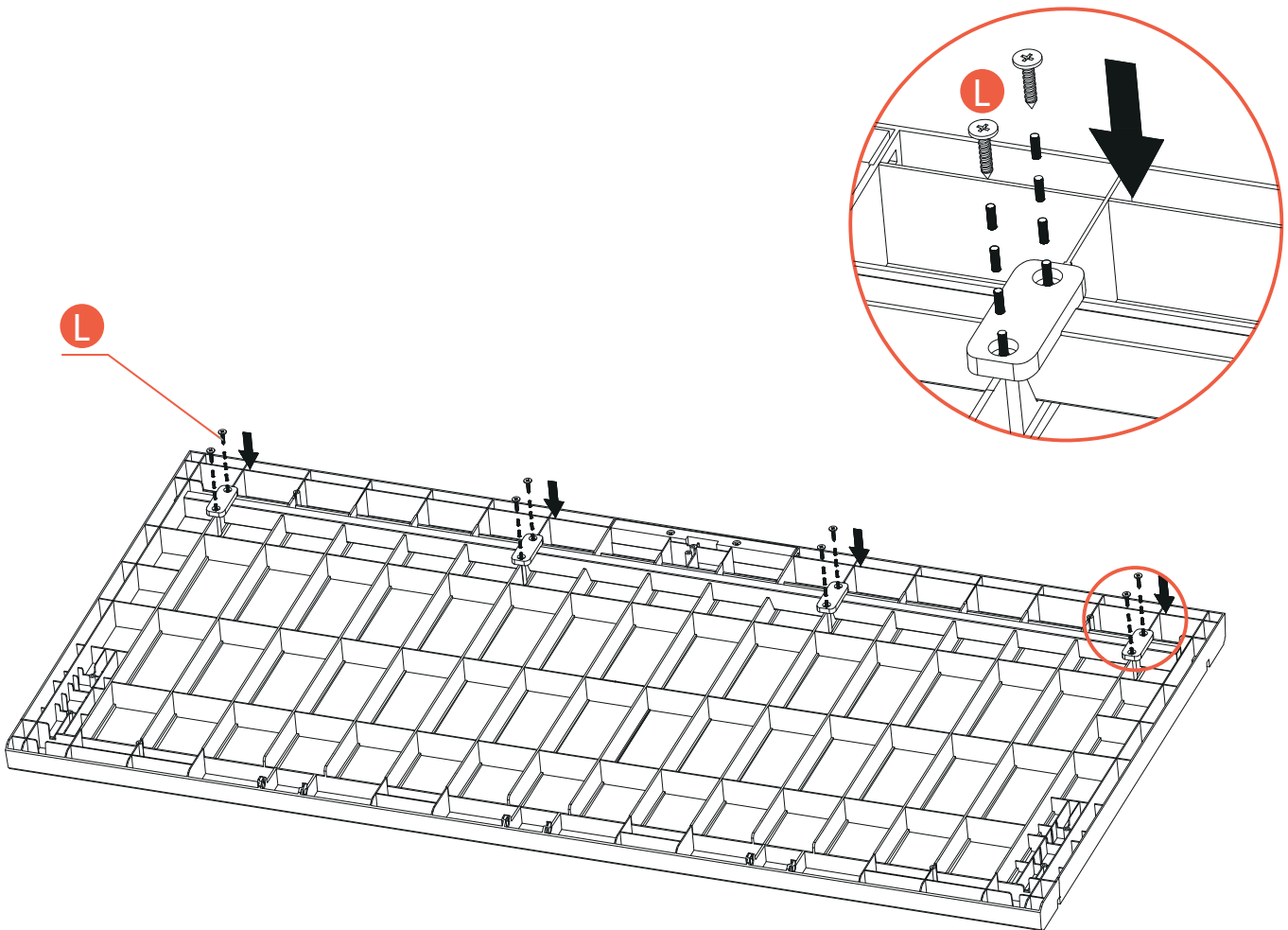
T (X4)



# Assembly steps

Step 9

 L (X8)

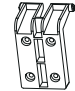


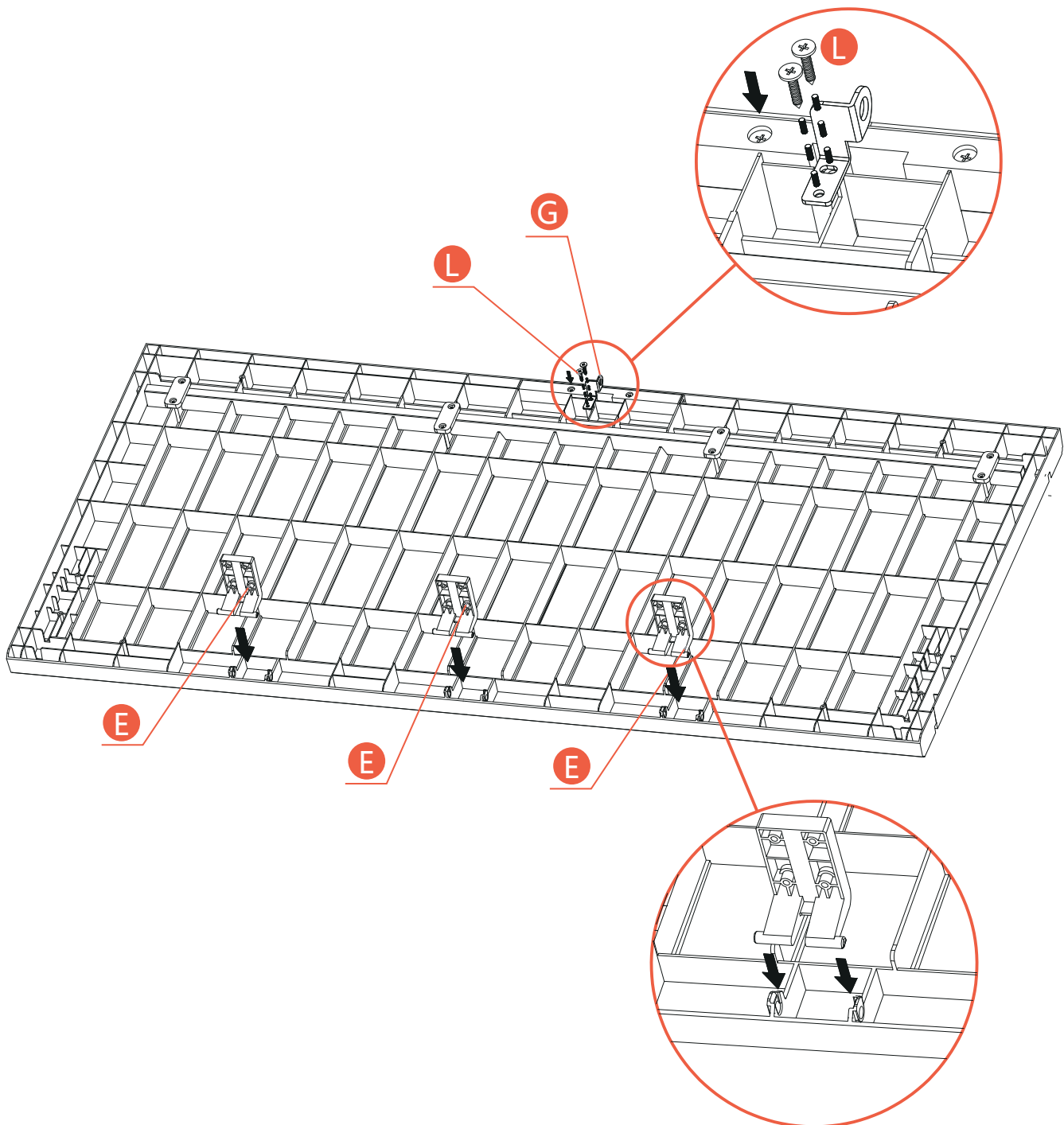
# Assembly steps

Step 10

 L (X2)


 G (X1)

 E (X3)

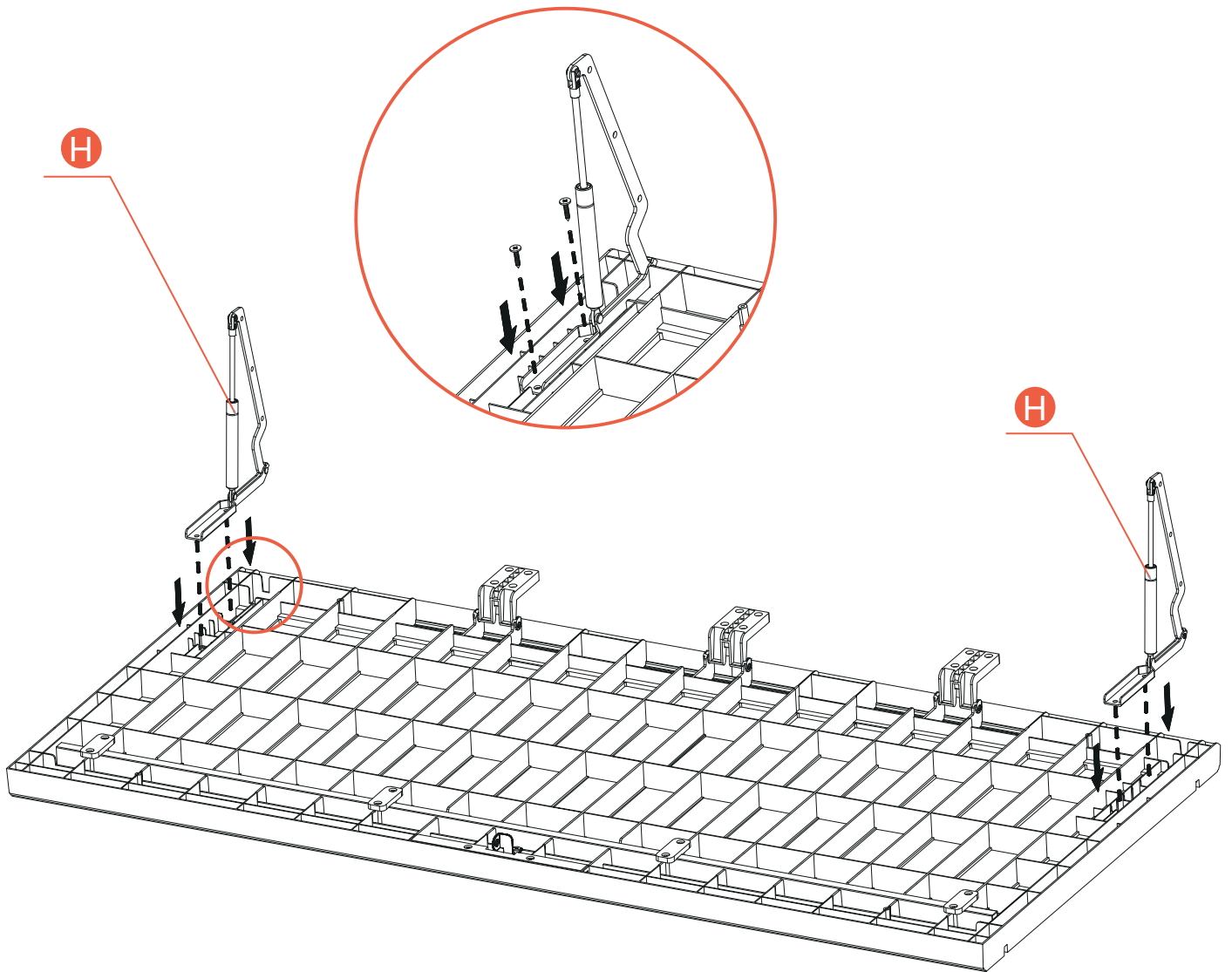


# Assembly steps

Step 11


 L (X4)

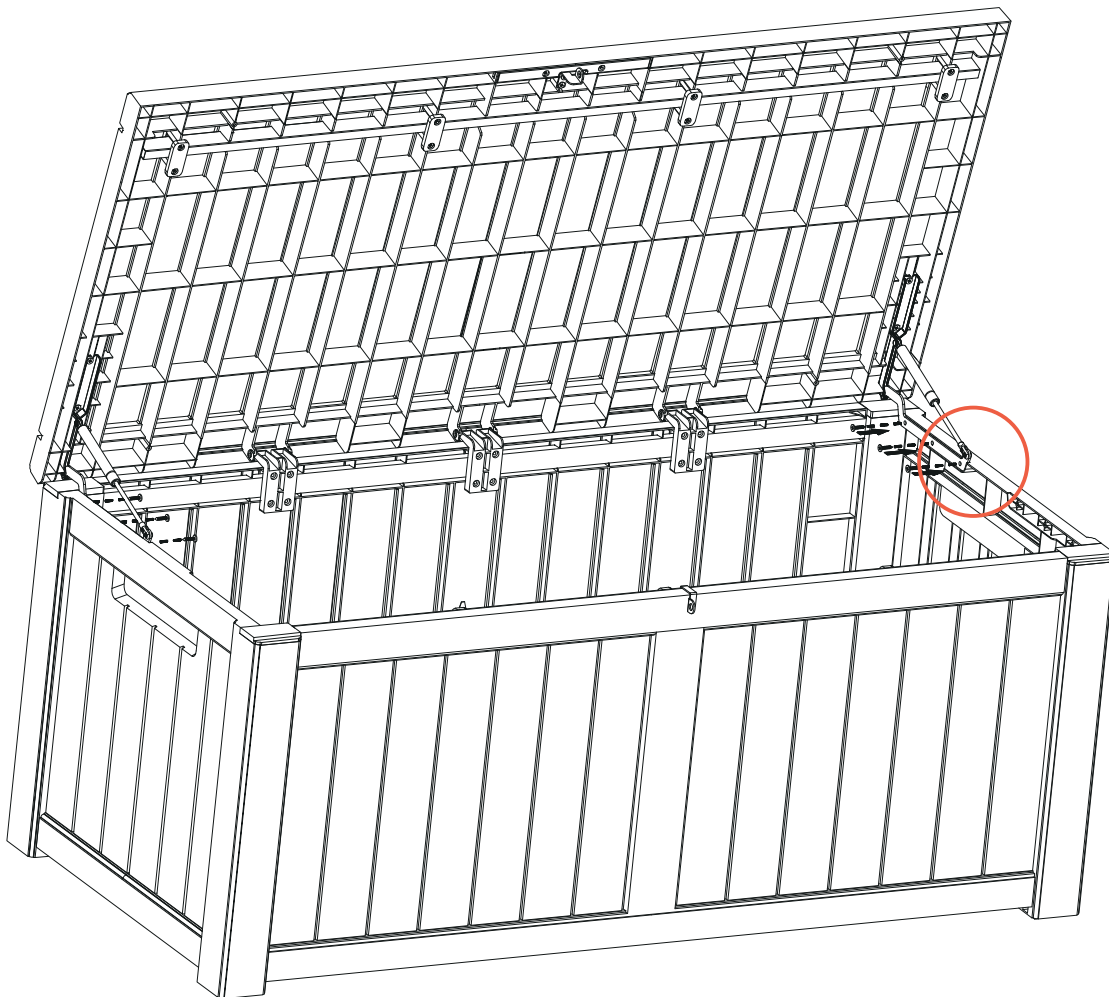
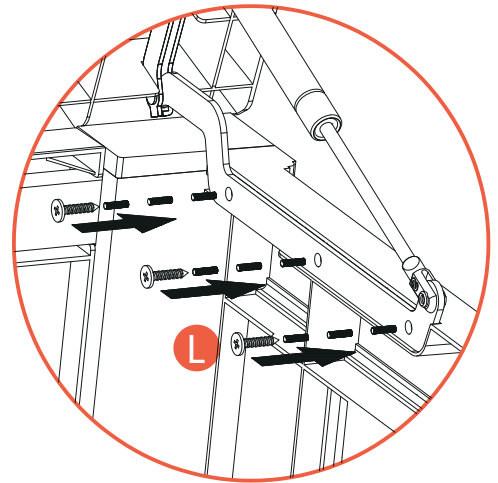
 H (X2)



# Assembly steps

Step 12

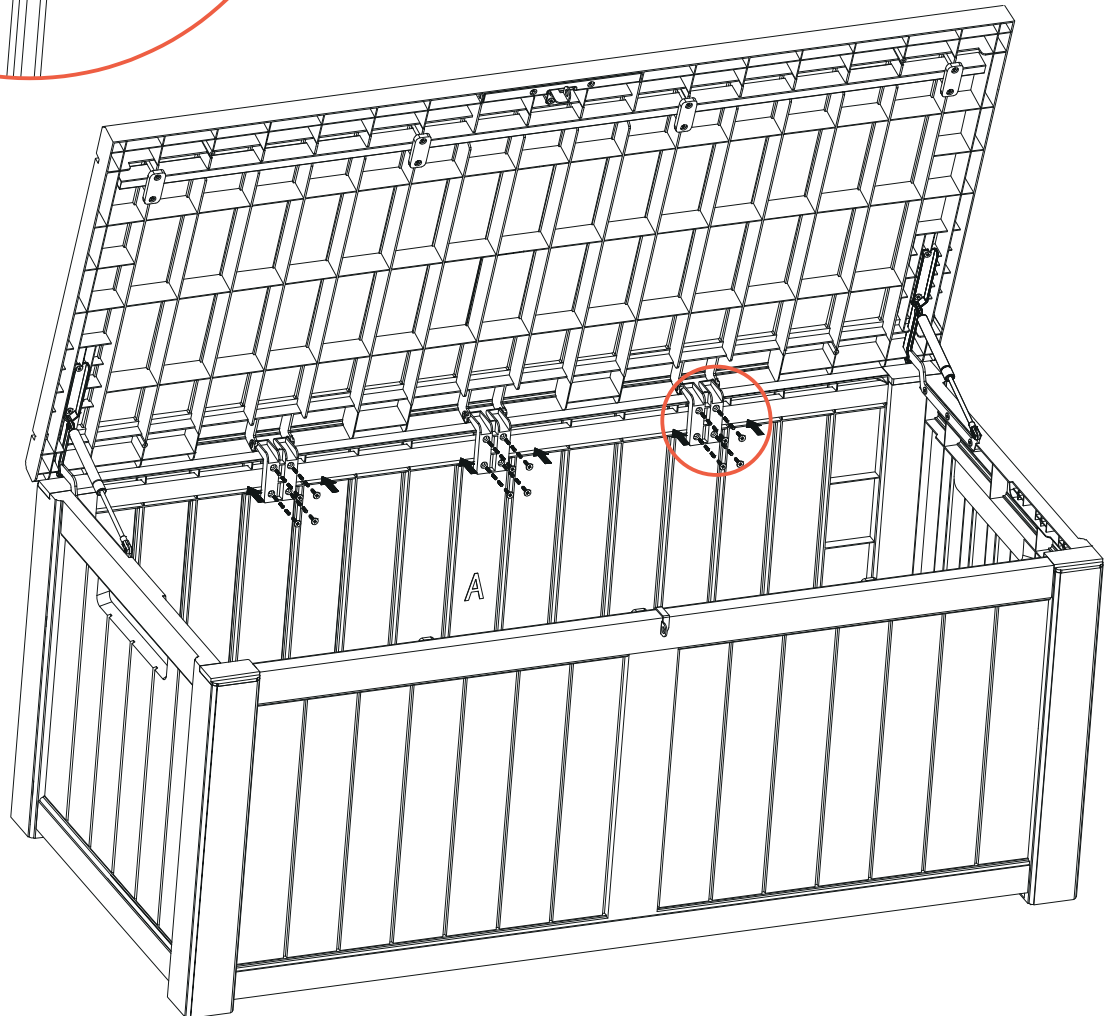
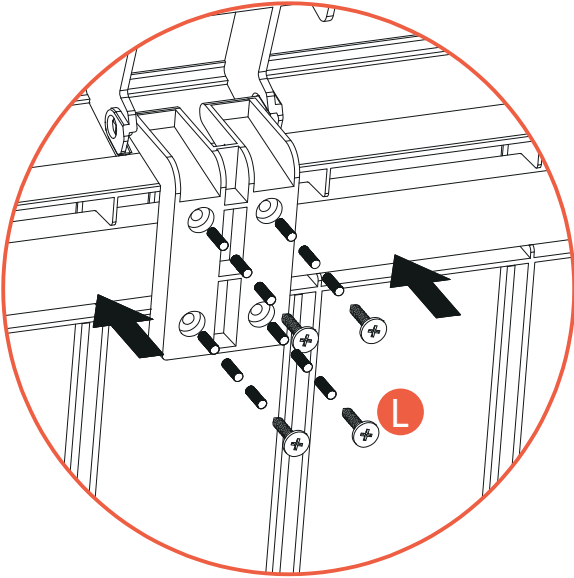
 L (X6)



# Assembly steps

Step 13

 L (X12)



# Assembly steps

## Step 14

