

ASSEMBLY INSTRUCTIONS

---

# METAL GARDEN SHED

---

SKU: T-PS23-0289A

BE  
YOUR  
LIFE BUILDER

[www.patiowell.com](http://www.patiowell.com)



 **Patiowell**

Metal Garden House  
Installation Tutorial

[https://www.patiowell.com/pages/  
video%20t-ps23-0289a](https://www.patiowell.com/pages/video%20t-ps23-0289a)

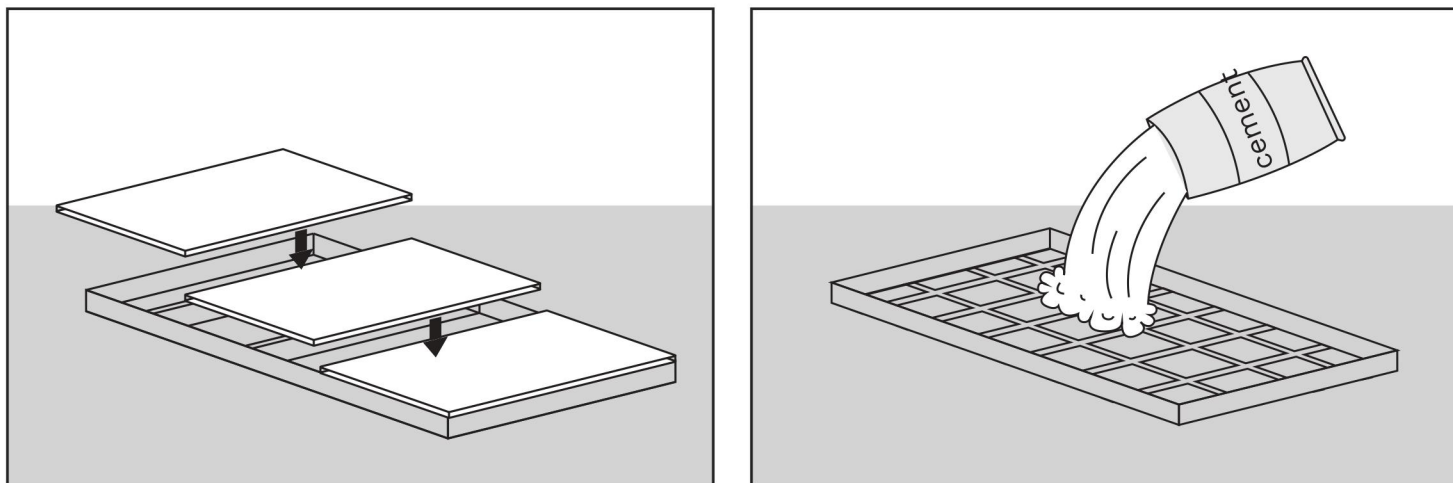
 [saleservice@patiowell.com](mailto:saleservice@patiowell.com)

# SITE PREPARATION

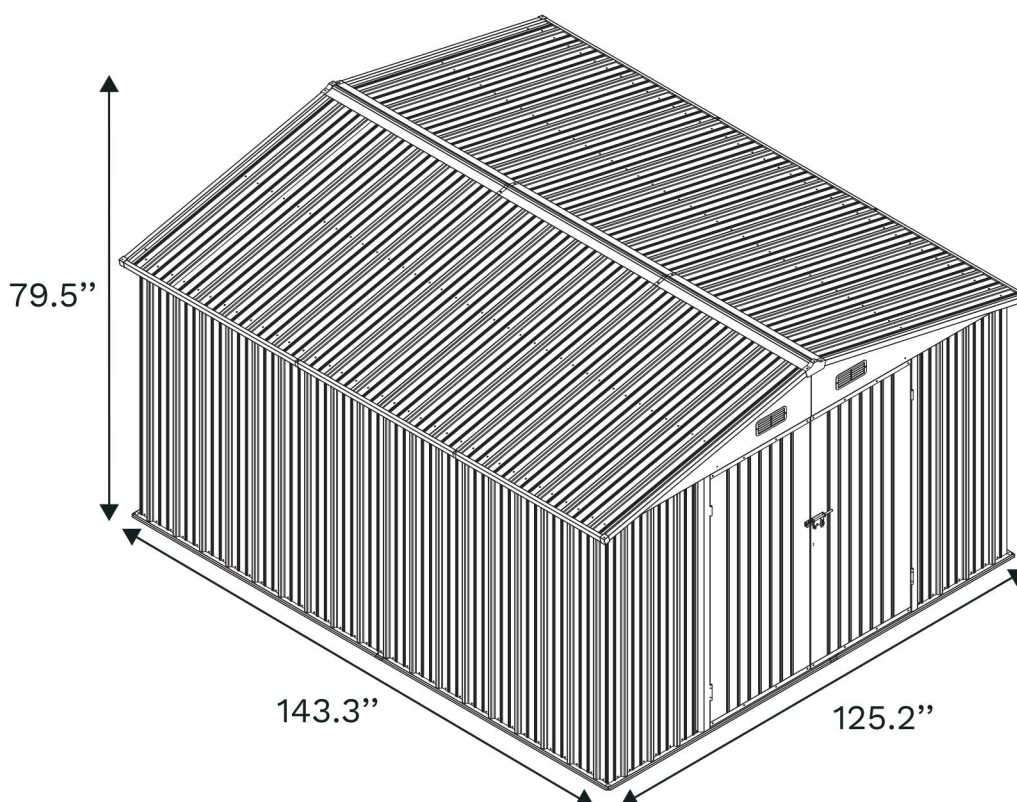
Level the ground surface.



Recommendation: Construct a wooden or concrete base as a foundation.



The external dimensions of the product :



## BEFORE STARTING ASSEMBLY

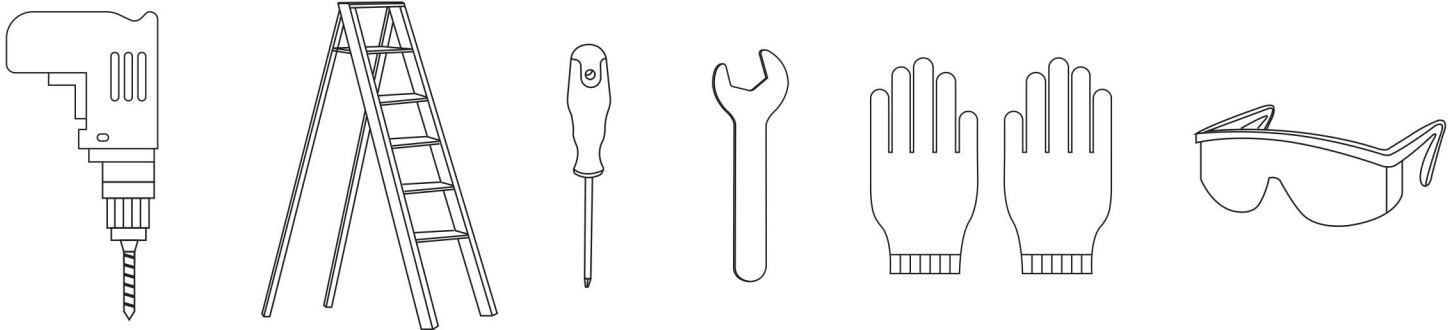
Remove all of the pieces from the 4 packages and spread them out on the ground. Before installation, please check the type and quantity of parts first.

It is recommended to use a clean work surface to spread the parts out and for pre-assembly steps. Review all instructions before you begin, continue to refer to instructions during assembly.

Be sure to follow all steps thoroughly.

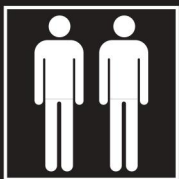
Please prepare these components in advance at the beginning of each stage.

## REQUIRED TOOLS



## CAUTION

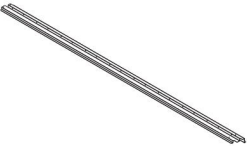
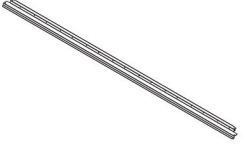
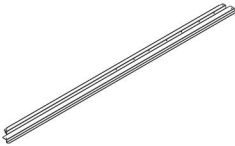
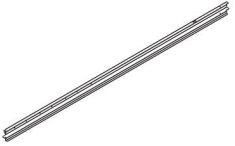
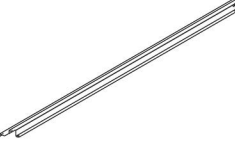

Some parts have steel edges. Please be careful when handling components. Always wear work gloves, eye protection and long sleeves when assembling or performing any maintenance on your shed. Do not attempt assembly on days with strong winds or low temperatures.



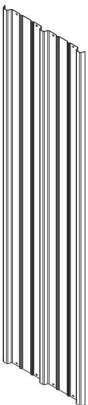
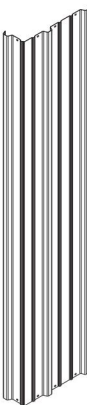
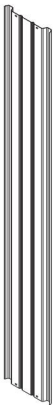
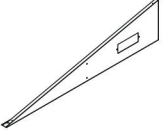
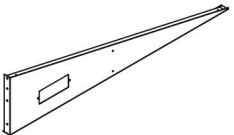
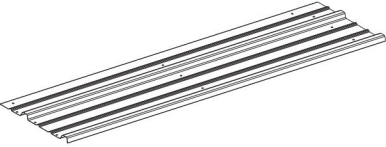
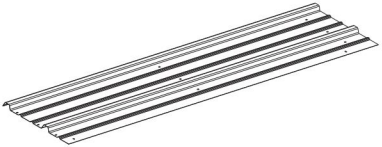
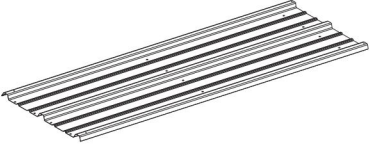
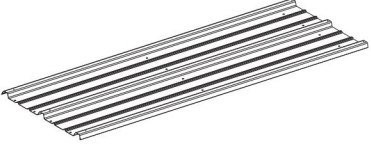
Requires two people and takes 2-3 hours for Installation. Recommended to wear gloves to avoid scratches. Please read the manual carefully before installation.

**DO NOT RETURN YOUR UNIT  
TO THE STORE**  
**Contact us first**  
[saleservice@patiowell.com](mailto:saleservice@patiowell.com)

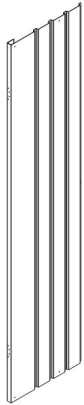

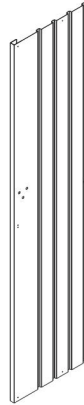
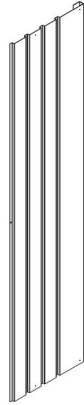
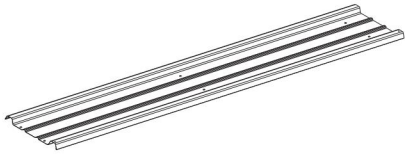
# FOUNDATION

<p>1 X2</p> 	<p>2 X2</p> 
<p>BS1 X1</p> 	<p>BS1L X1</p> 
<p>BS2 X1</p> 	<p>BS2L X1</p> 

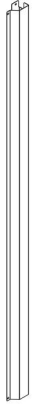
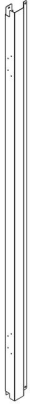
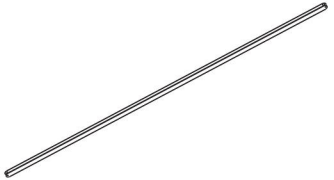
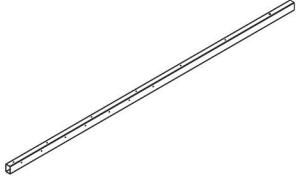
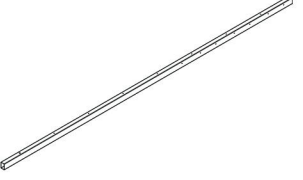

# PLATES

 <p>W1A X24</p>	 <p>WS2A X4</p>	 <p>WS3A X2</p>	<p>21L X2</p>  <p>21R X2</p> 
 <p>P1 X2</p>	 <p>P2 X2</p>		
 <p>P3 X10</p>	 <p>P3A X4</p>		

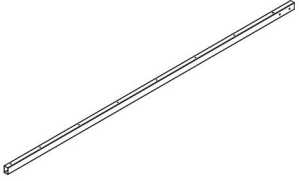
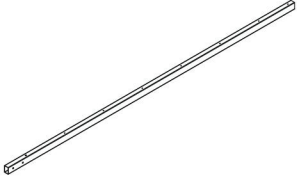
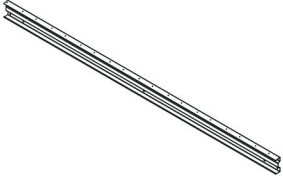
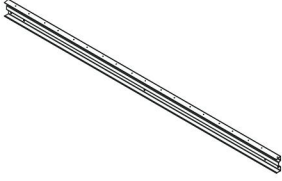
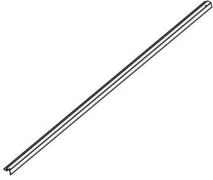
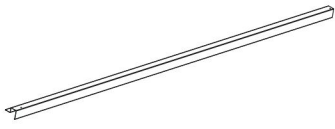
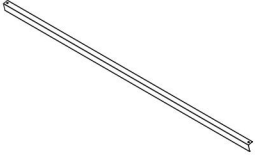
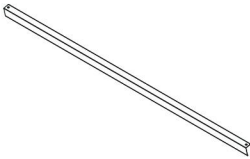
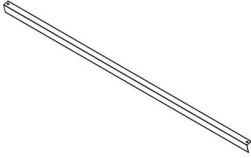
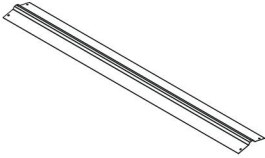
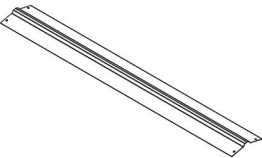
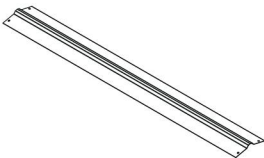
# PLATES

 <p>DLA X1</p>	 <p>DLB X1</p>	 <p>DRA X1</p>	 <p>DRB X1</p>
 <p>P6 X2</p>			




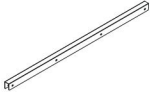
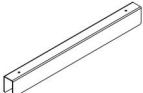
# STRIPS

 <p>UL1 X1</p>	 <p>UR1 X1</p>	 <p>DX2 X4</p>
		 <p>7 X1</p>
 <p>8 X1</p>		 <p>9 X4</p>

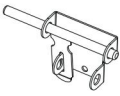

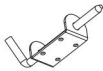
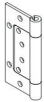
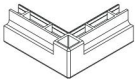

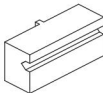
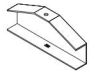


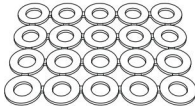
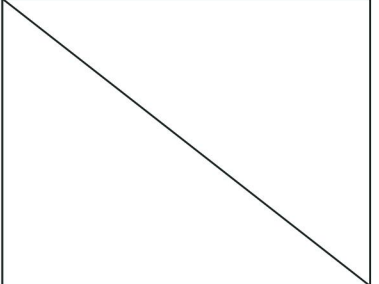
# STRIPS

10L X1 	10R X1 
13 X4 	14 X4 
15 X2 	16 X2 
17 X2 	17A X2 
17B X2 	19 X1 
19A X1 	19B X1 

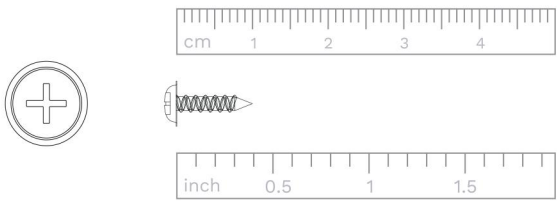
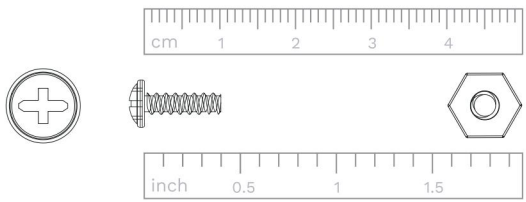
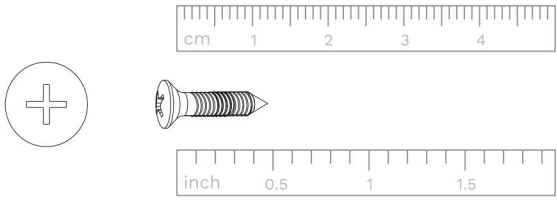
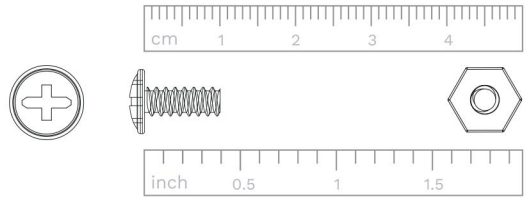
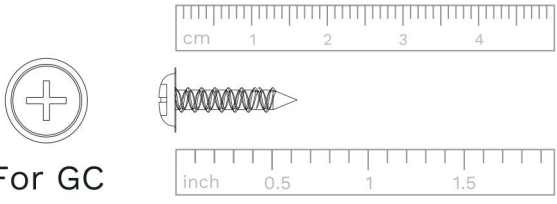
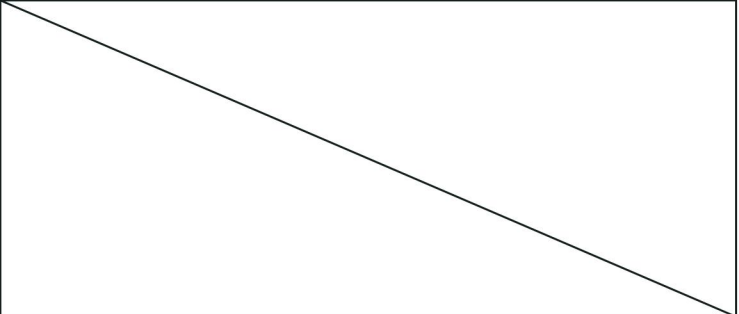
# STRIPS

 <p>B1 X4</p>	 <p>B2 X2</p>	 <p>B3 X2</p>	 <p>20 X 4</p>
 <p>GS X2</p>			

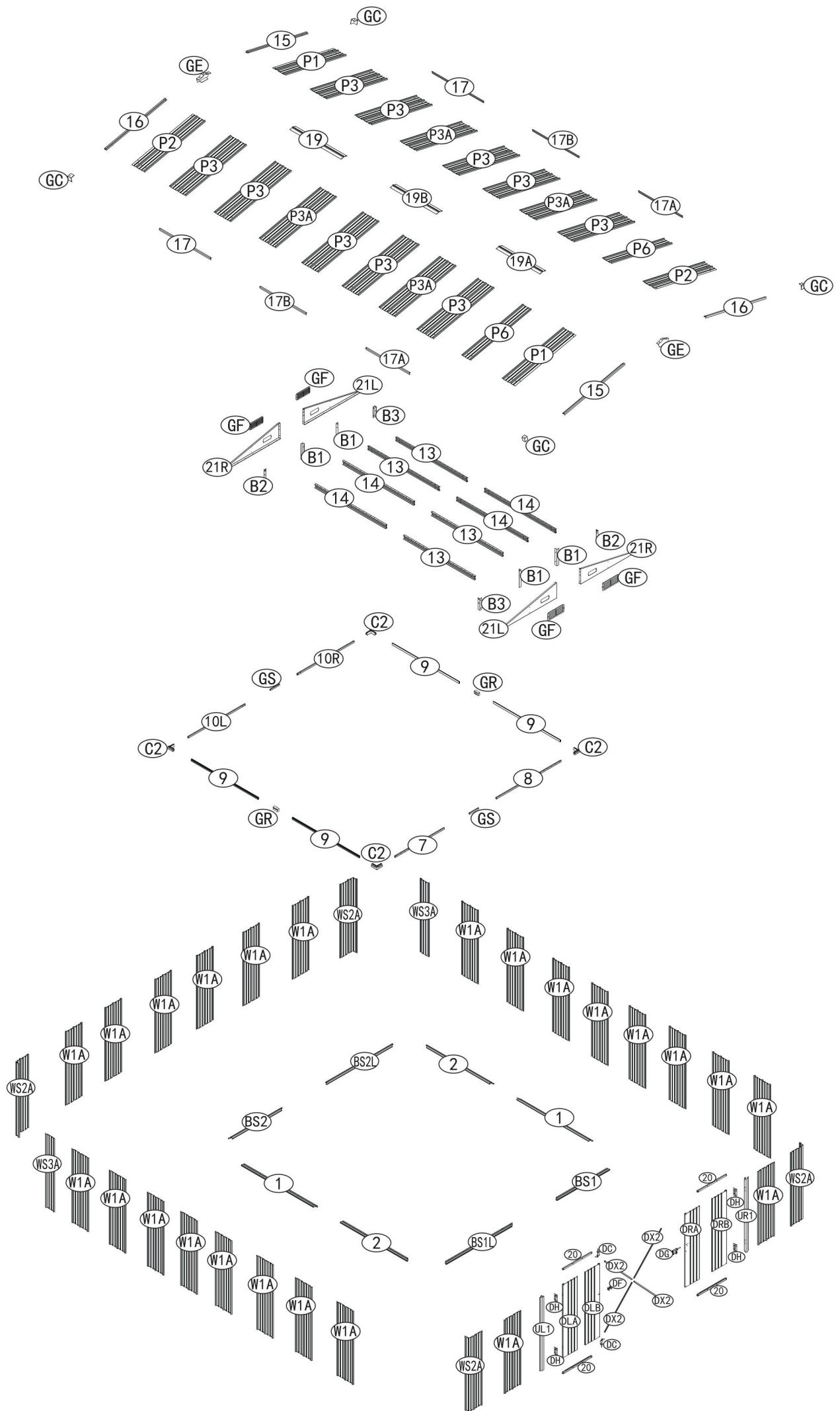
# STANDARD

 <p>DG X1</p>	 <p>DF X1</p>	 <p>DC X2</p>	 <p>DH X4</p>
 <p>C2 X4</p>	 <p>GF X4</p>	 <p>GR X2</p>	 <p>GE X2</p>
 <p>GC X4</p>	 <p>S1 X150</p>	 <p>V2 X550</p>	

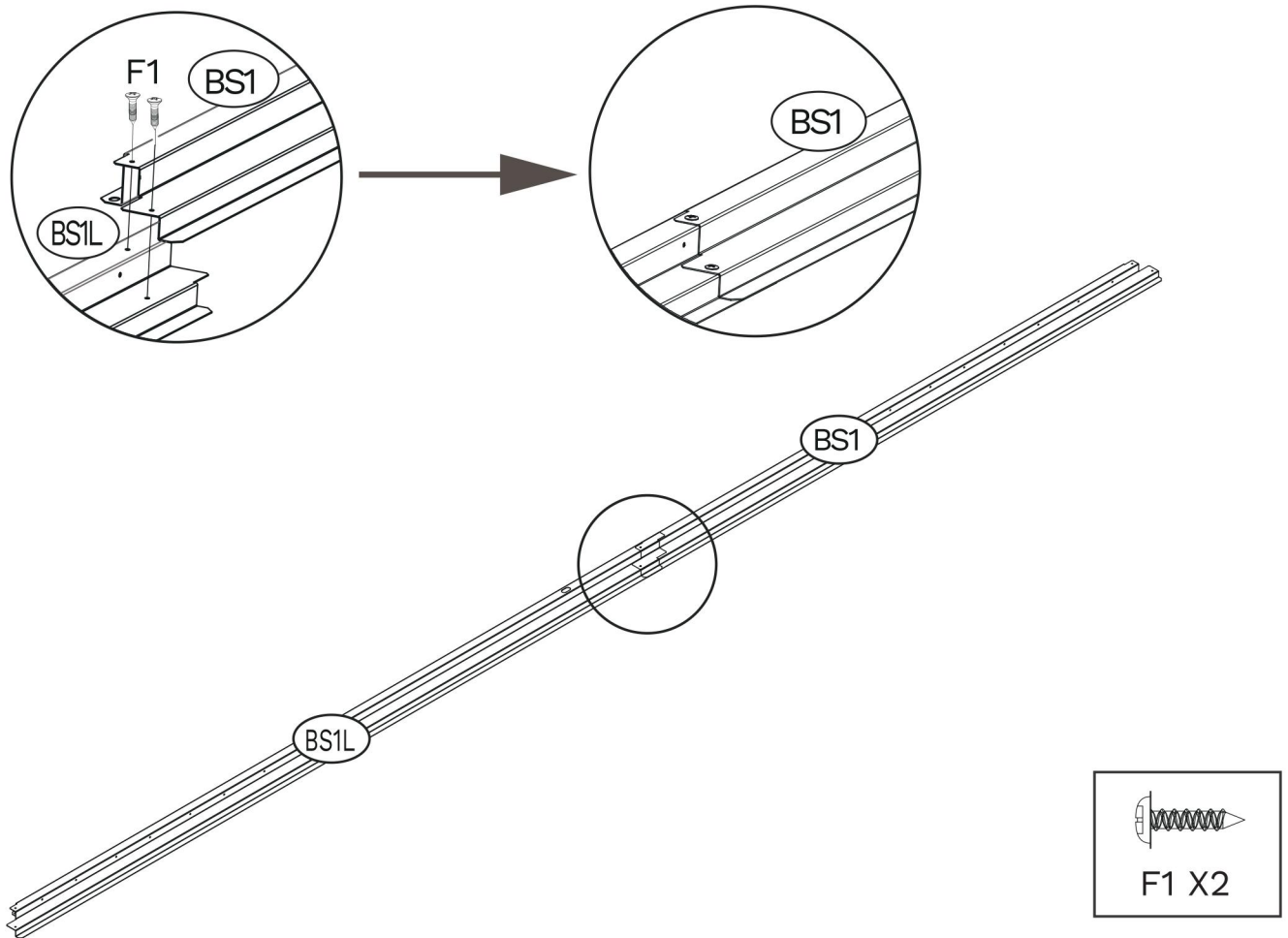
# SCREW

 <p><b>F1(X550)</b>      <b>M4*10</b></p>	 <p><b>F2(X54)</b>      <b>M4*10</b></p>
 <p><b>F3(X32)</b>      <b>M5*12</b></p>	 <p><b>F4(X5)</b>      <b>M6*10</b></p>
 <p><b>For GC</b> <b>F5(X4)</b>      <b>M4*16</b></p>	

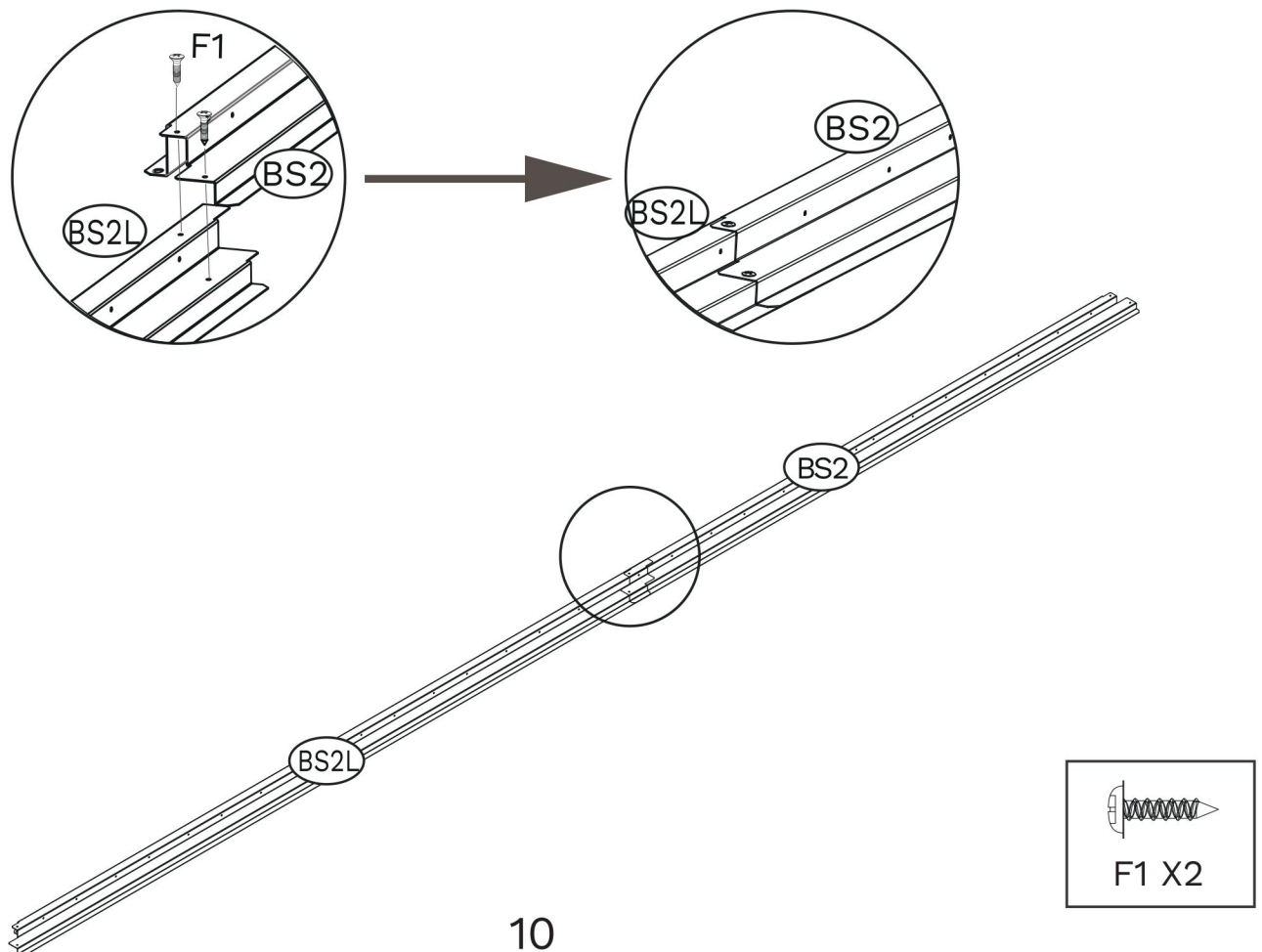




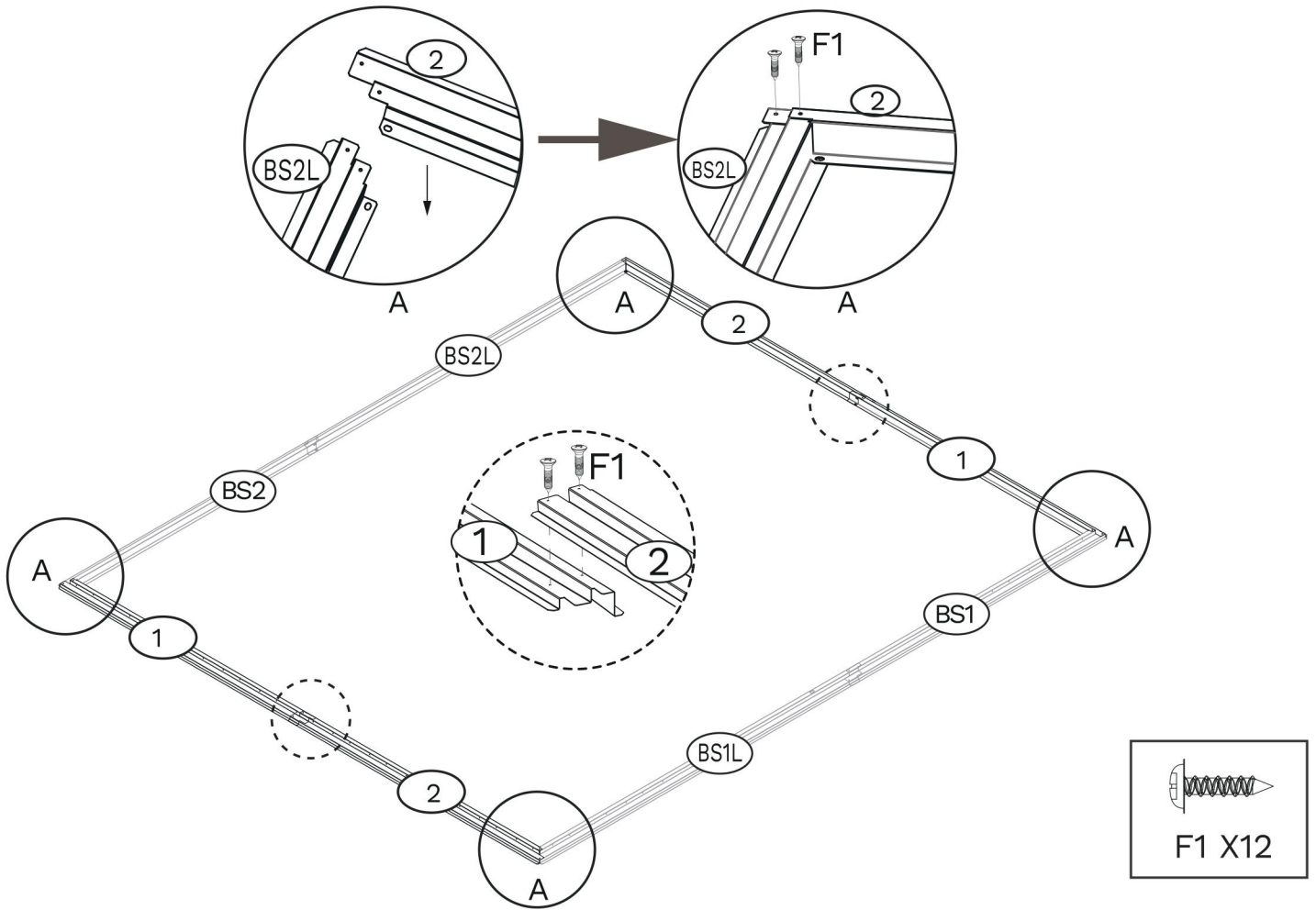
# STEP 1



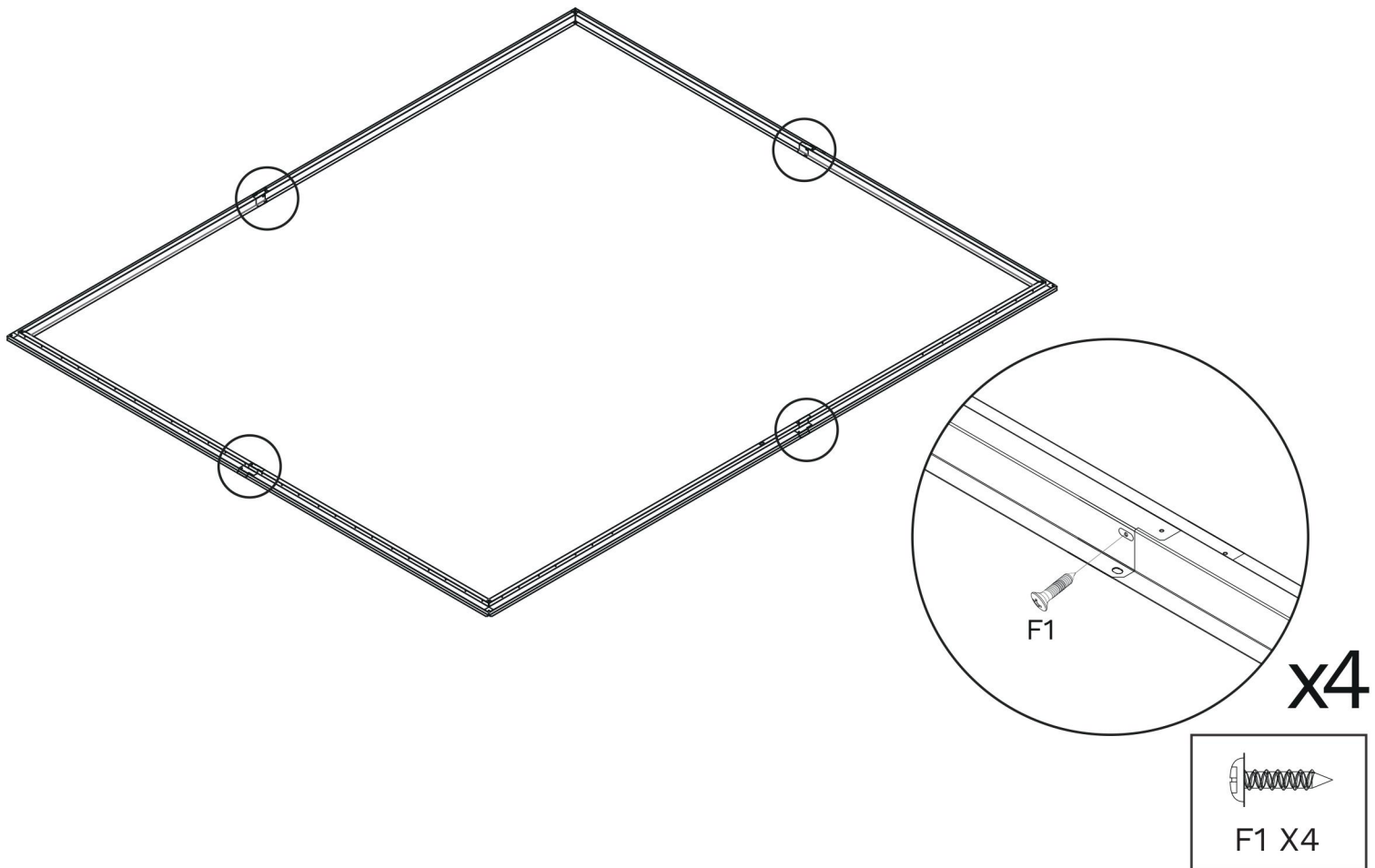
# STEP 2



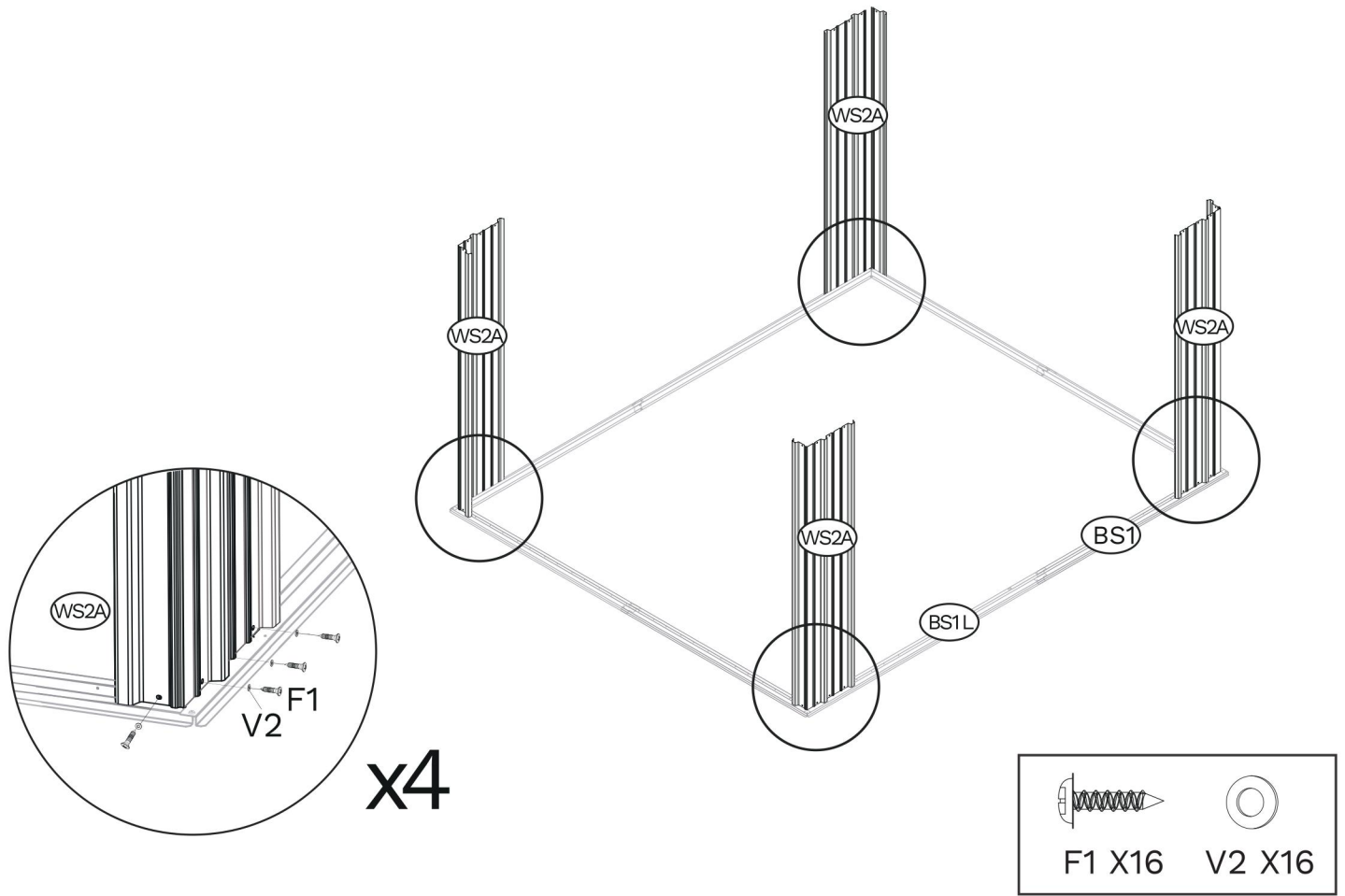
# STEP 3



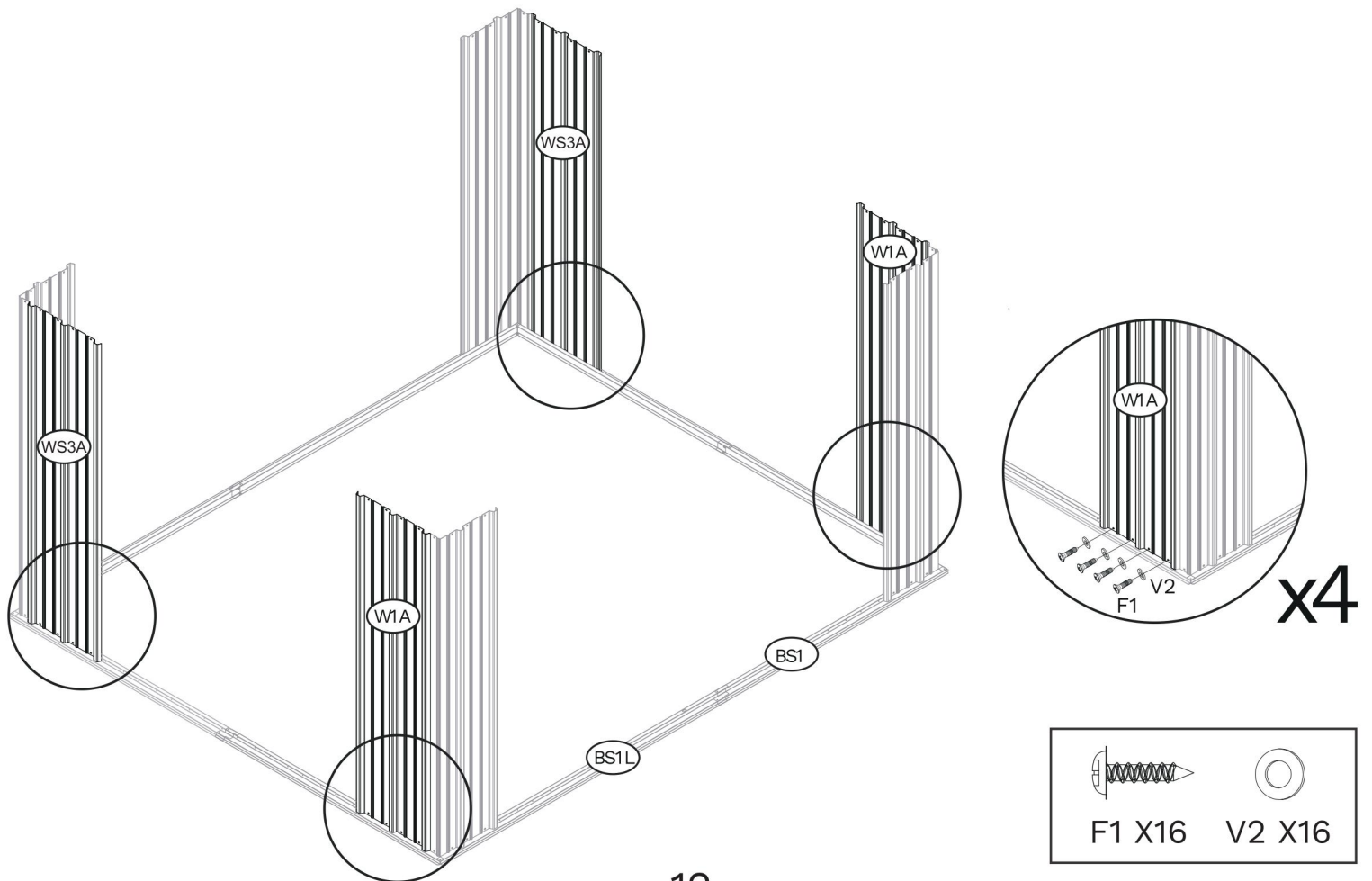
# STEP 4



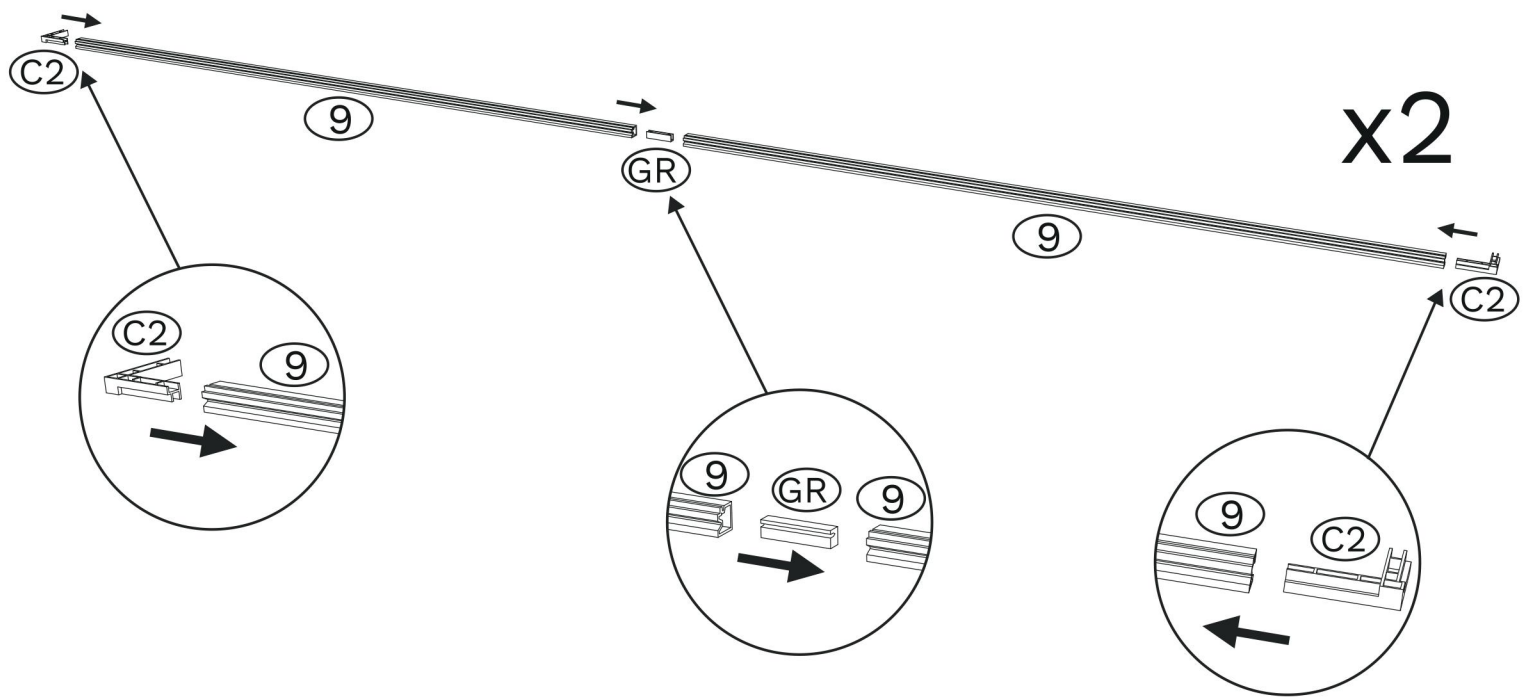
# STEP 5



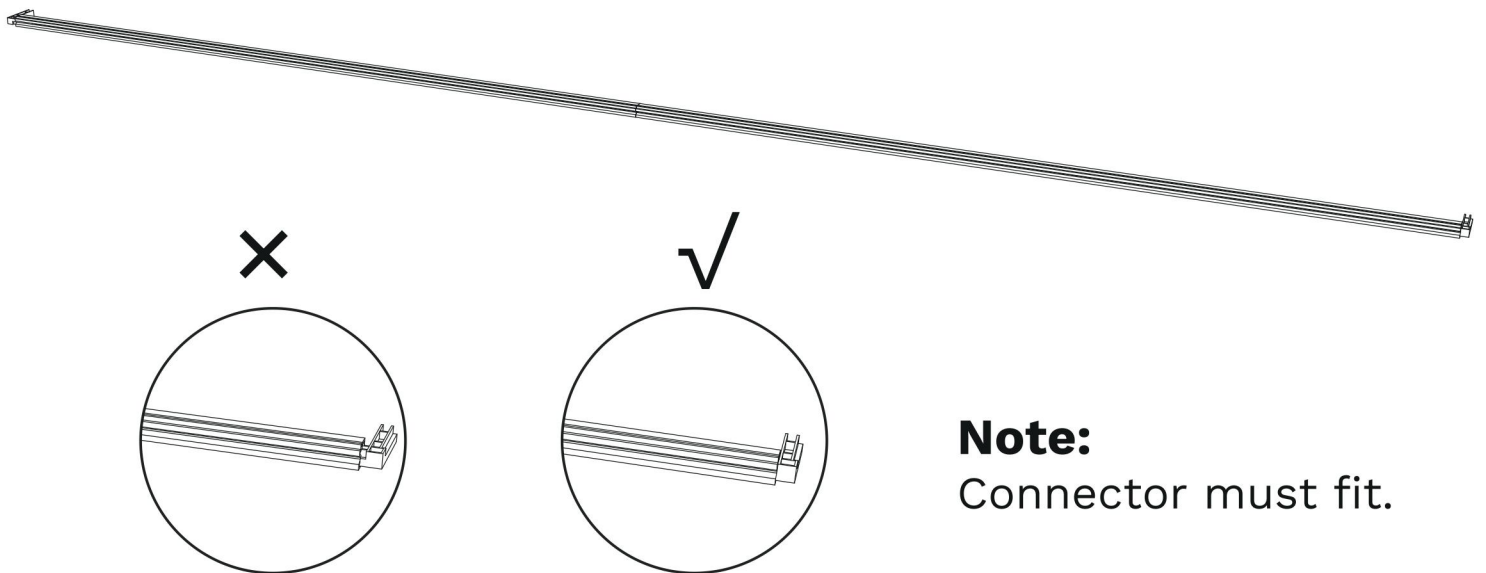
# STEP 6



# STEP 7

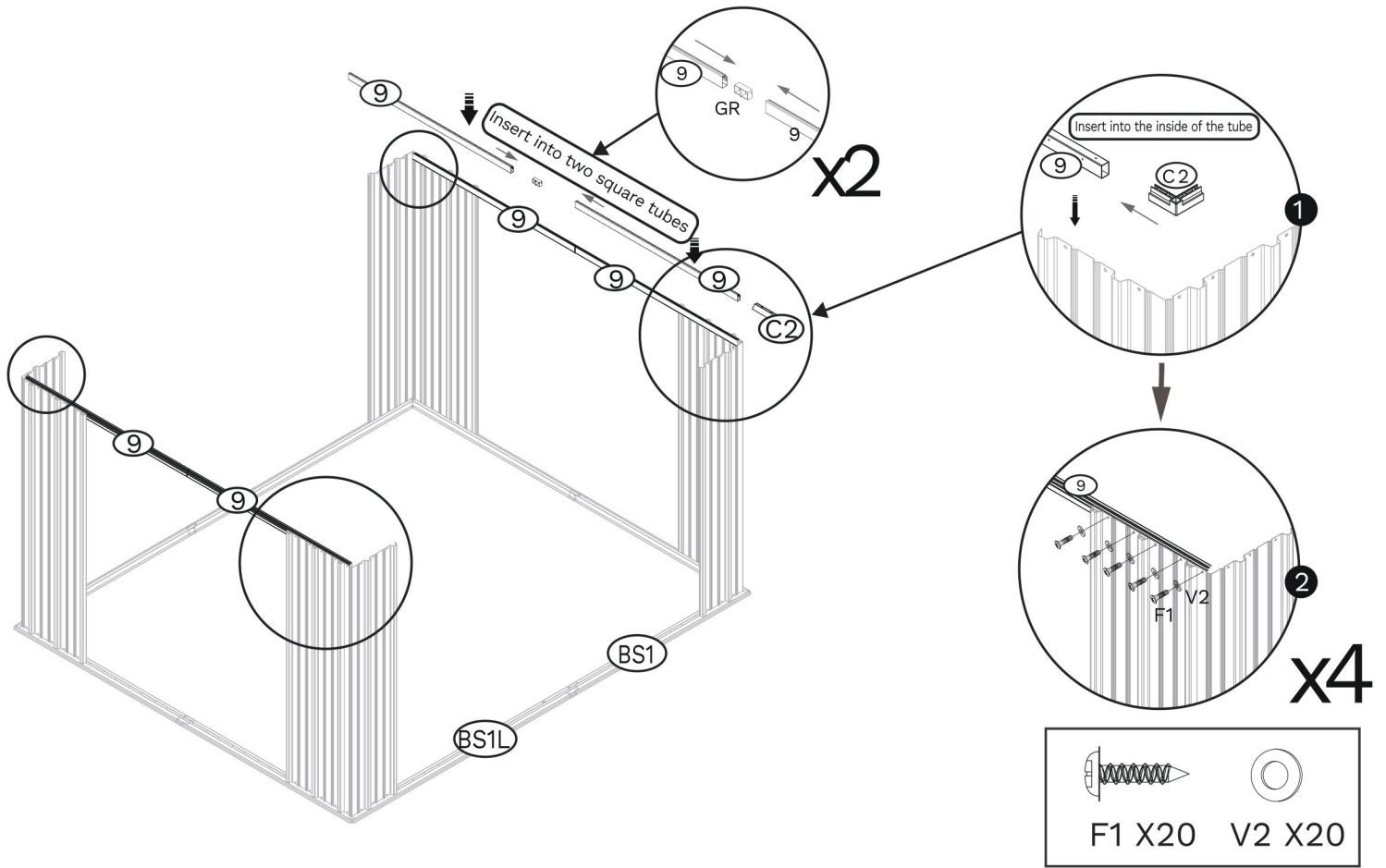


# STEP 8

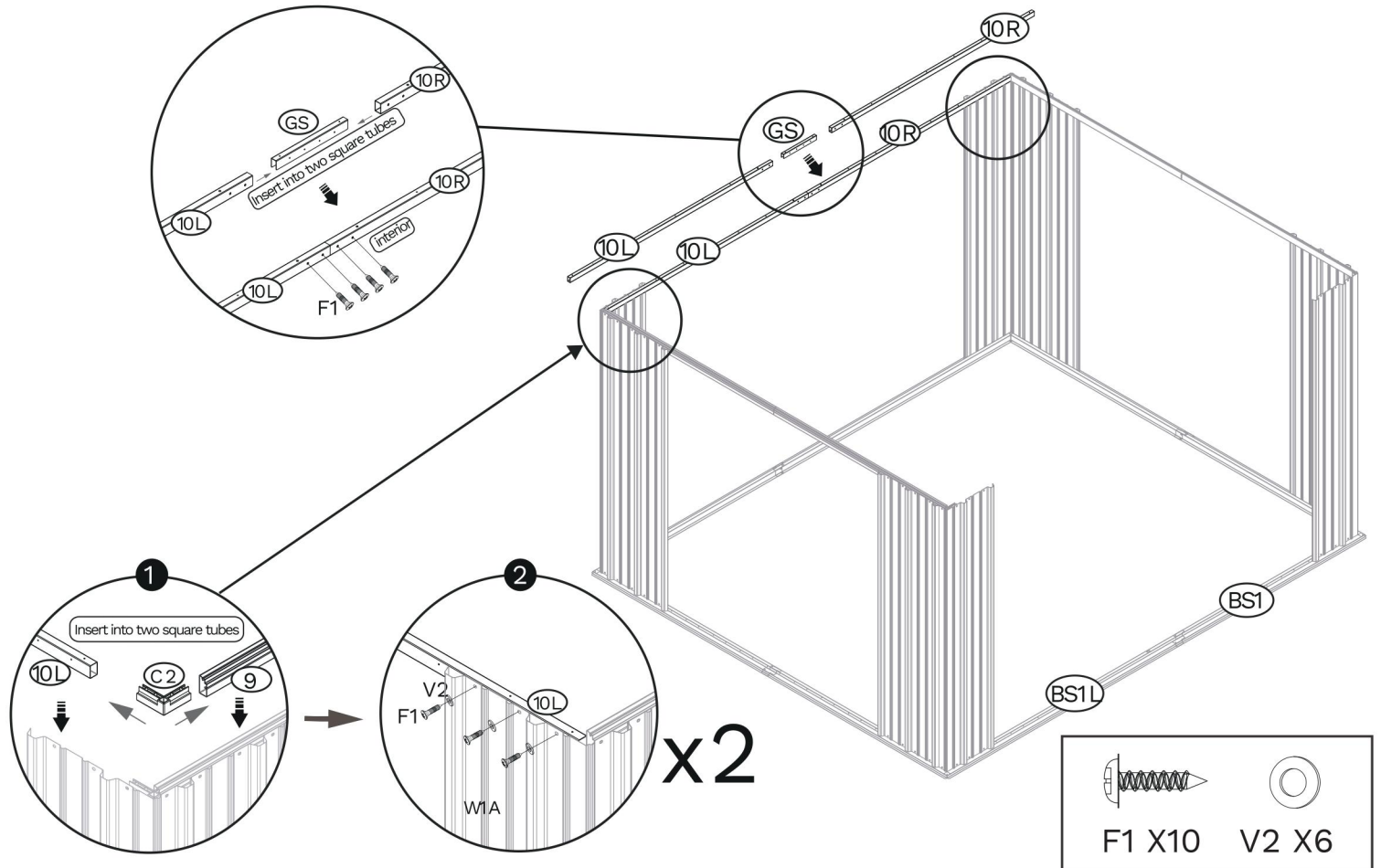


**Note:**  
Connector must fit.

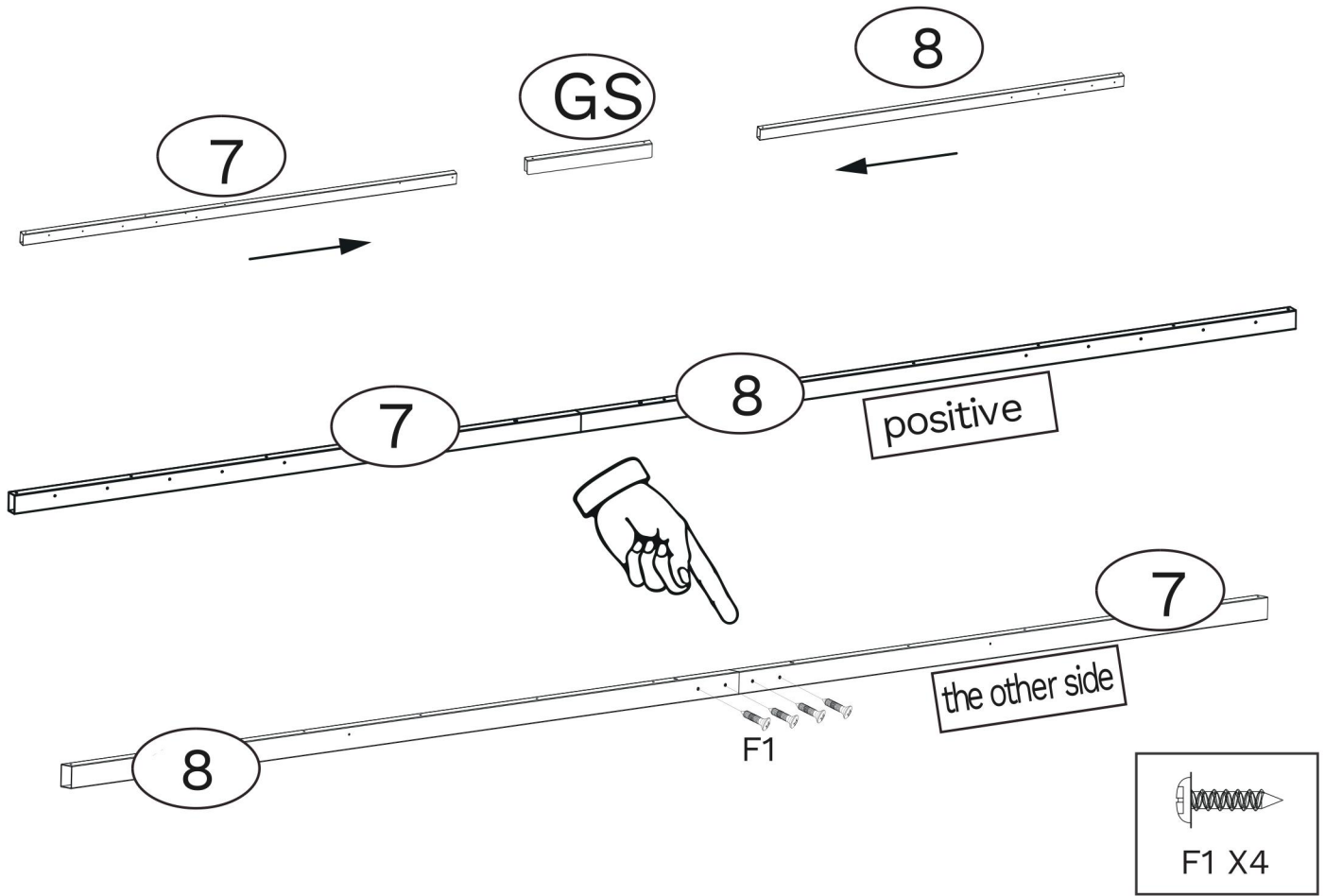
# STEP 9



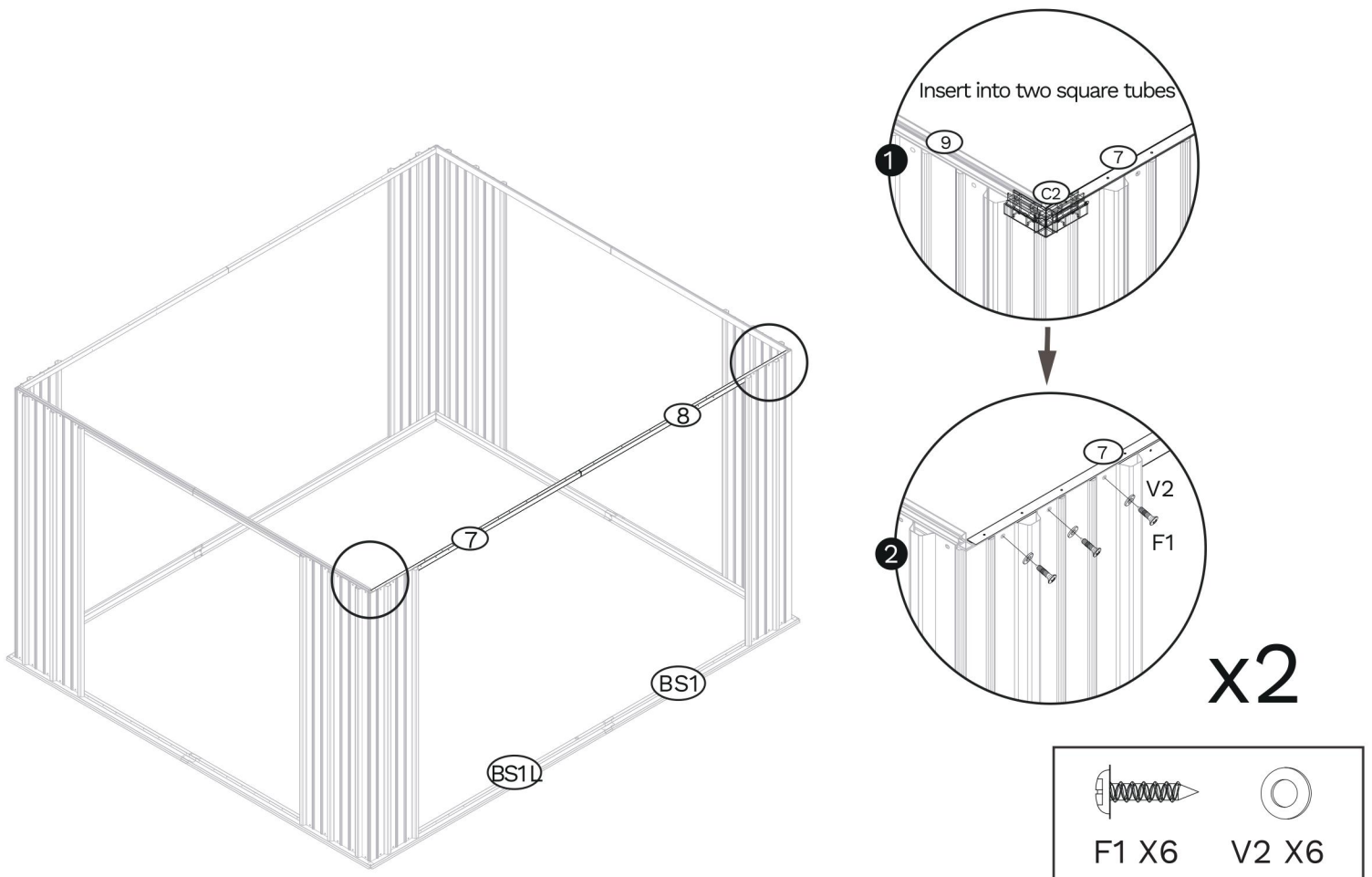
# STEP 10



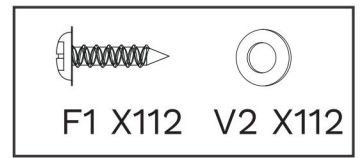
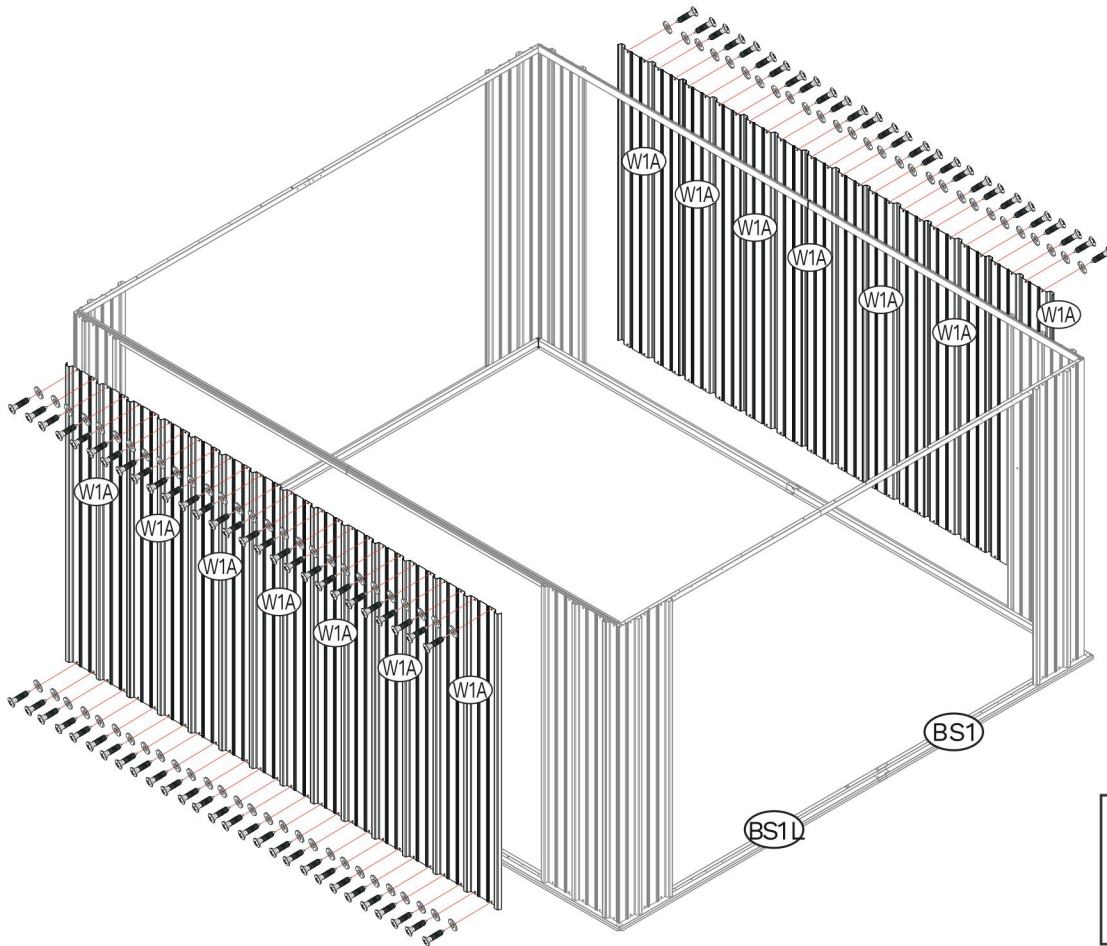
# STEP 11



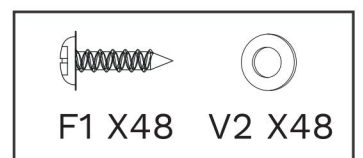
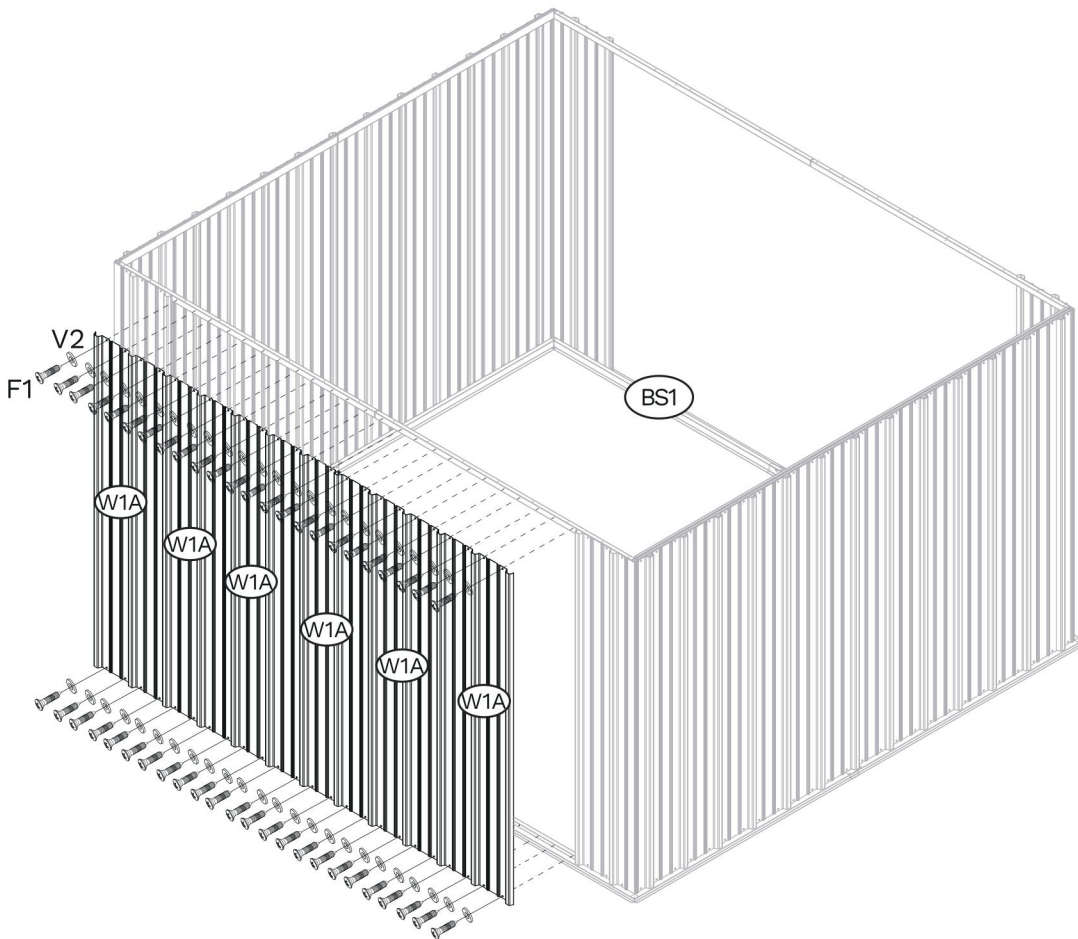
# STEP 12



# STEP 13

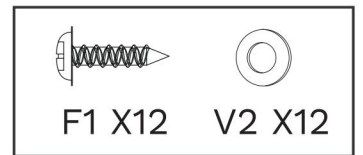
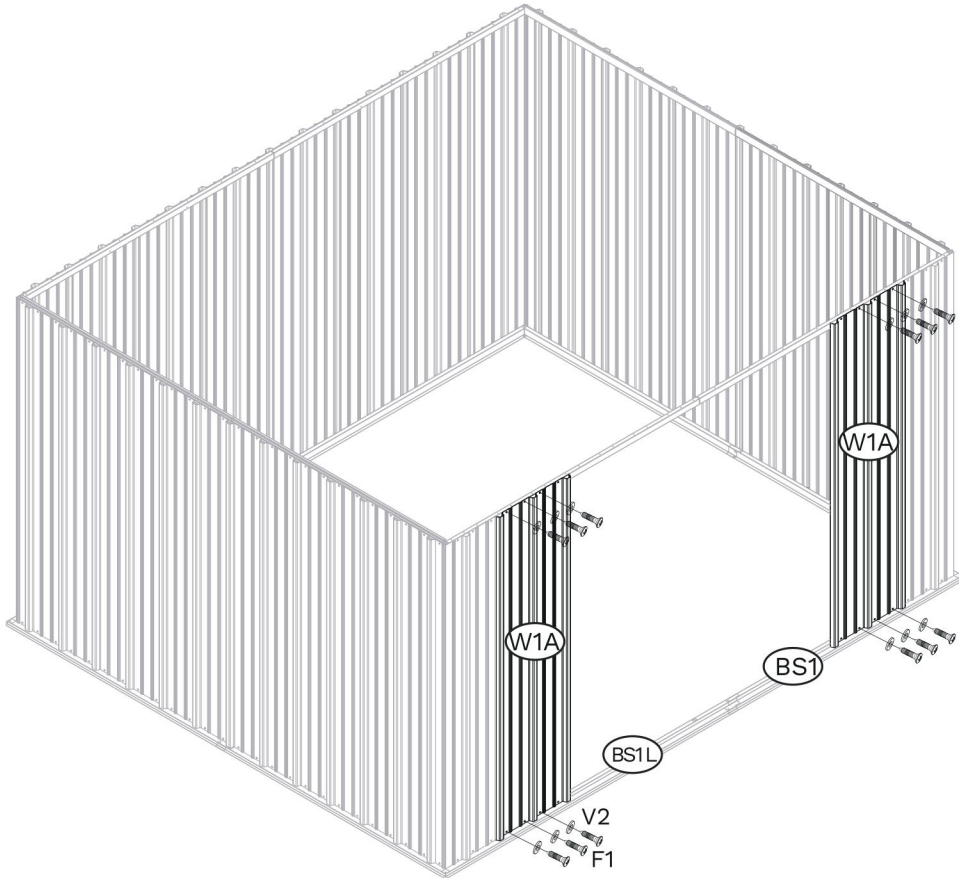


# STEP 14

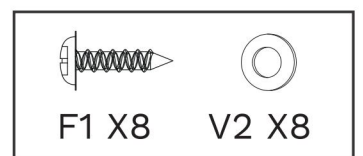
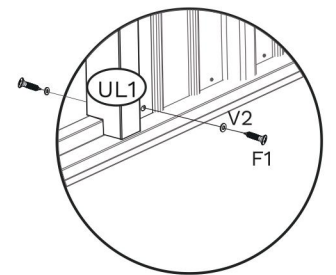
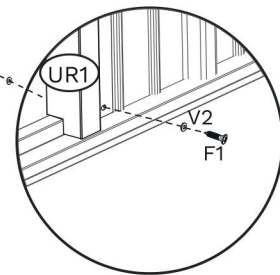
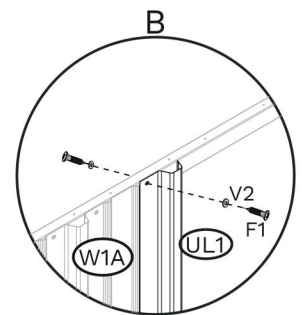
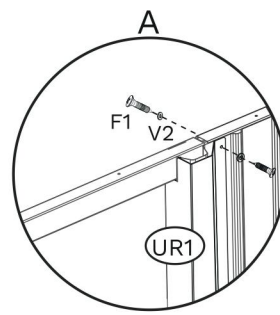
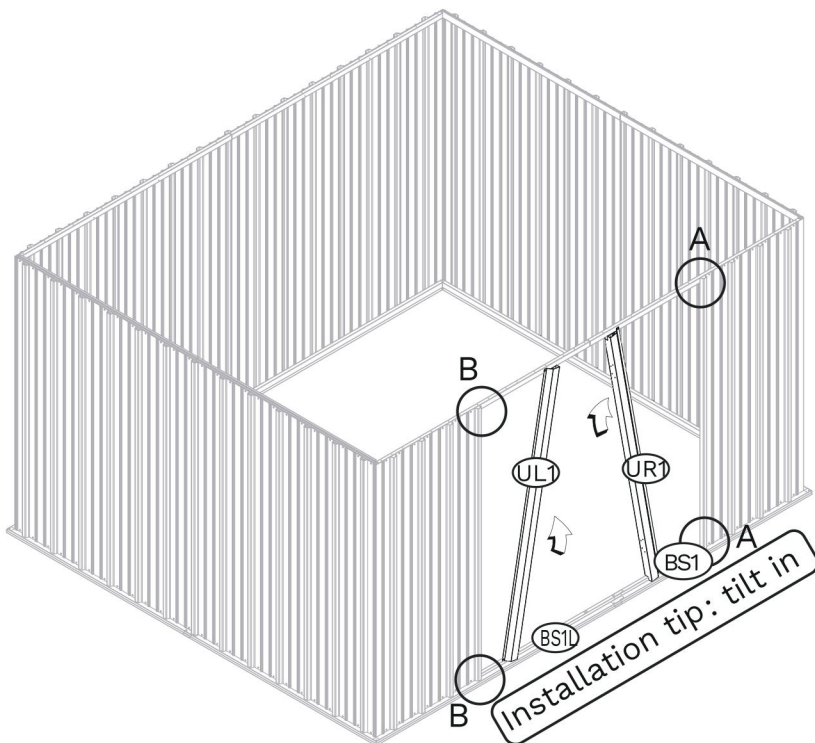




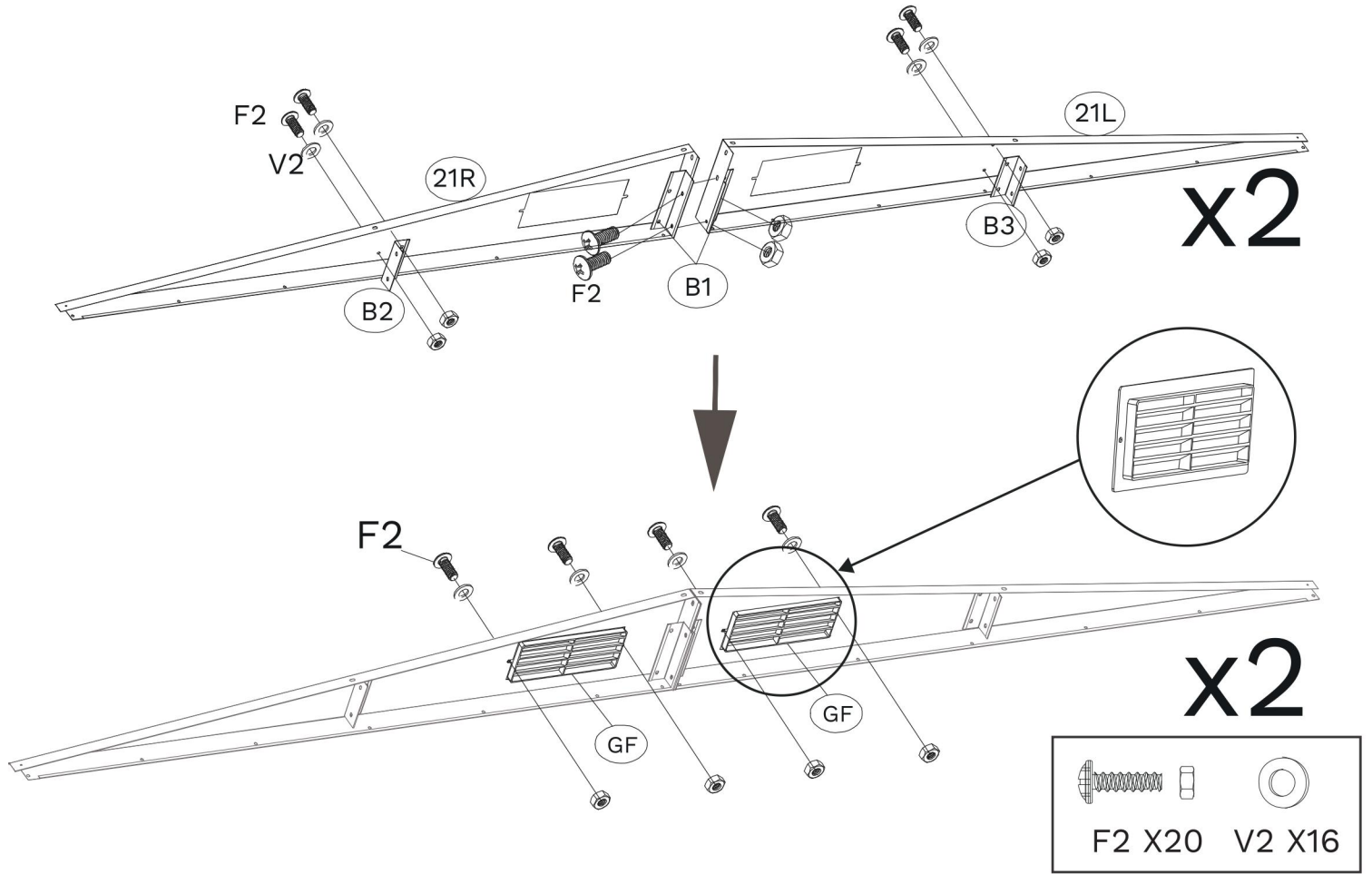
# STEP 15



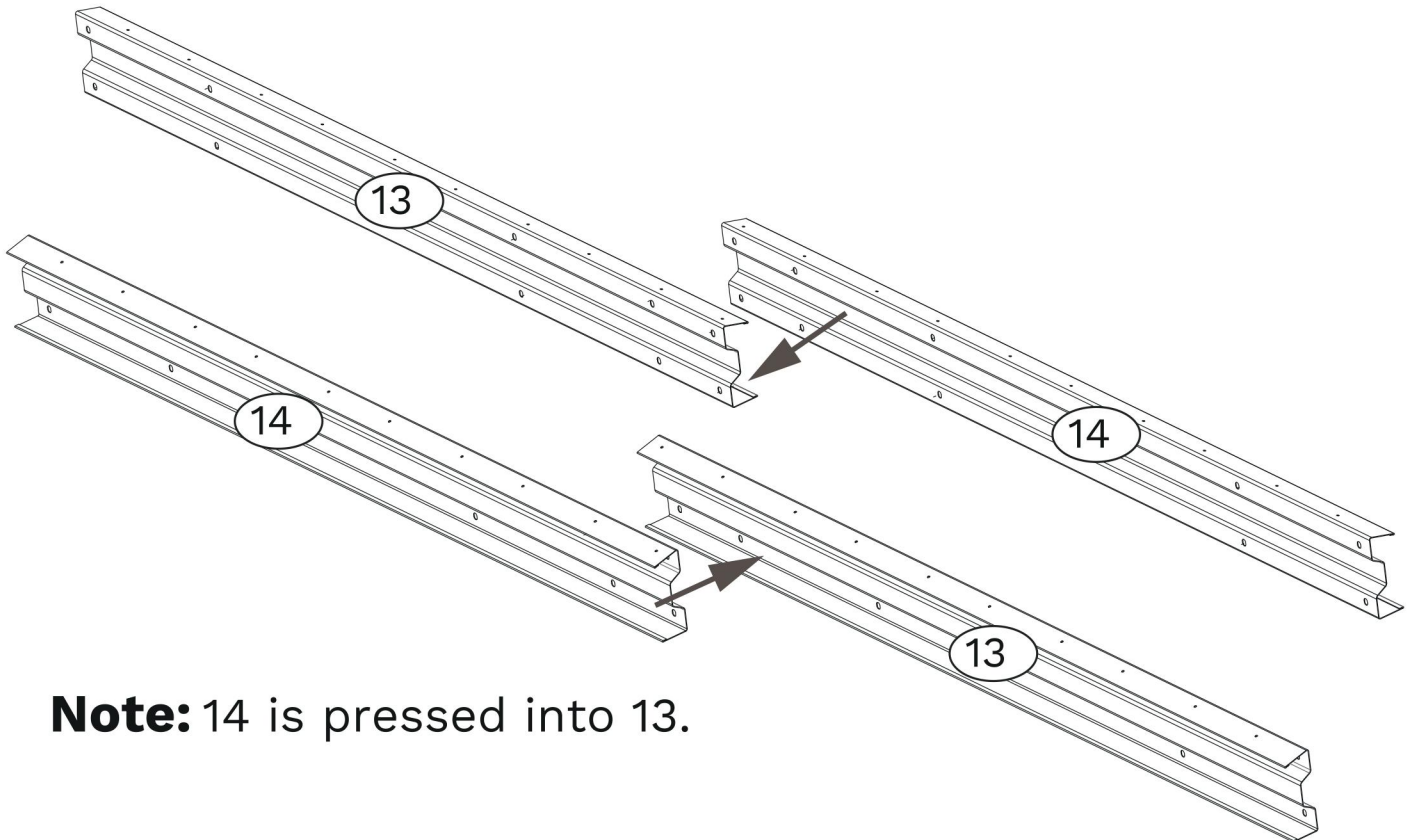
# STEP 16



# STEP 17

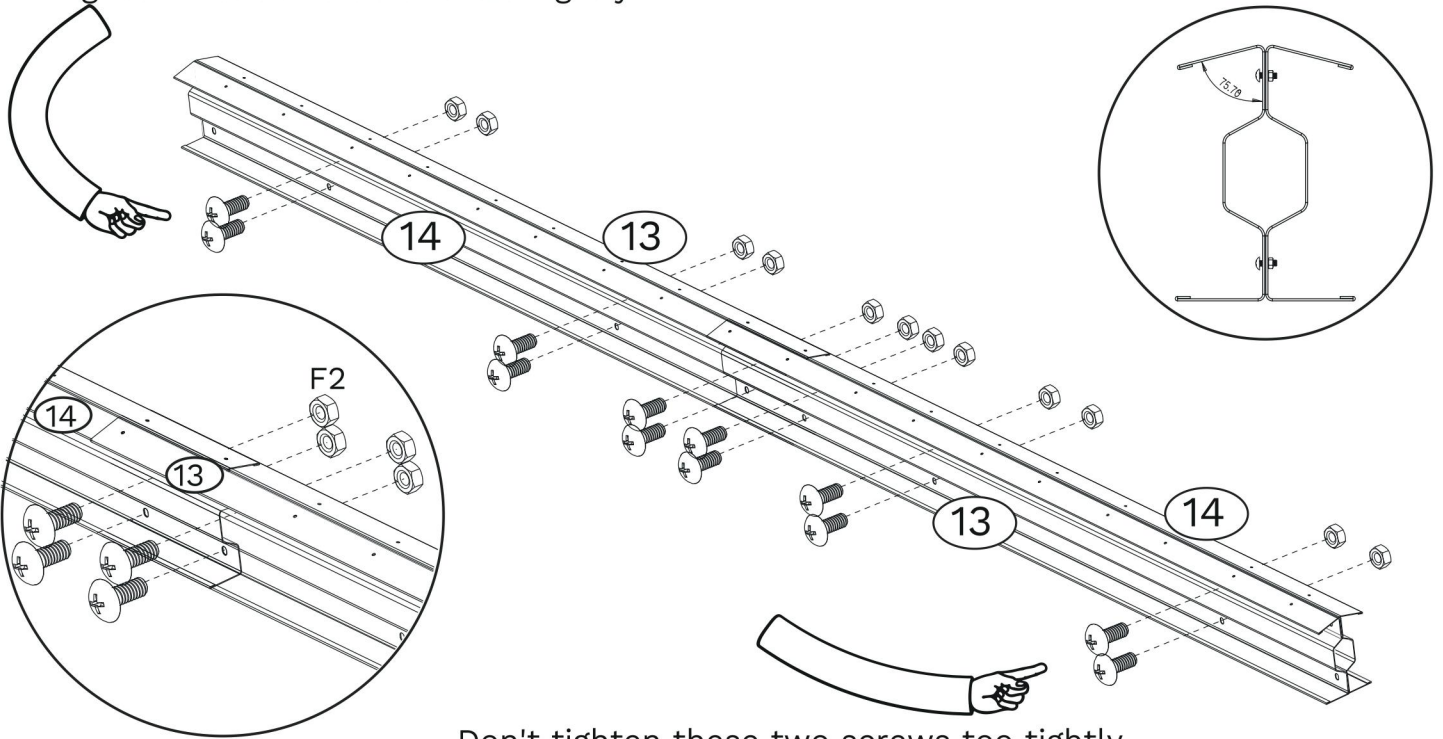


# STEP 18

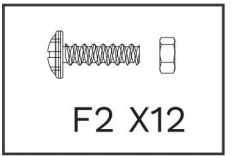


# STEP 19

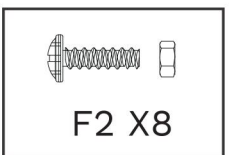
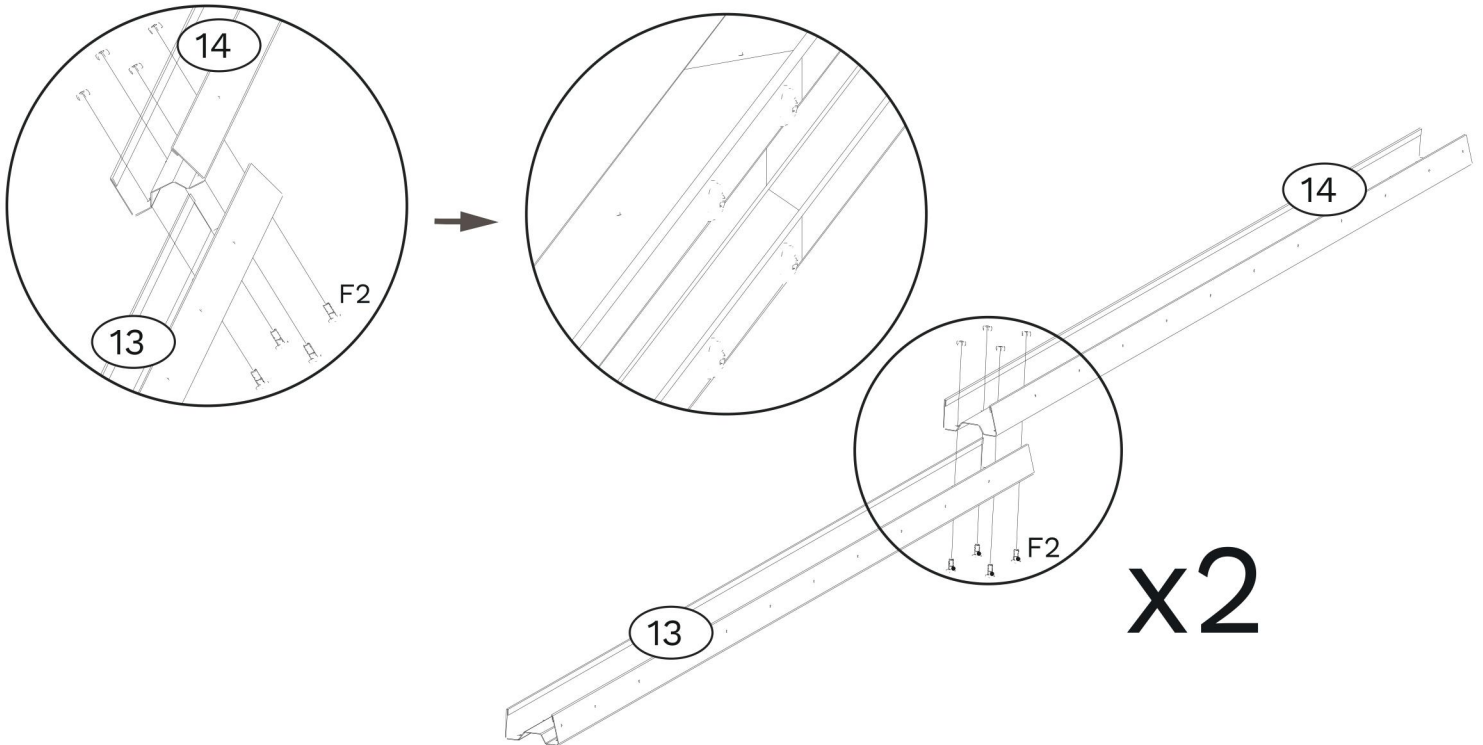
Don't tighten these two screws too tightly.



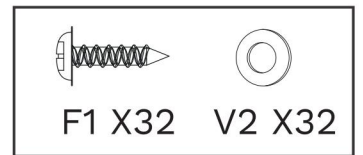
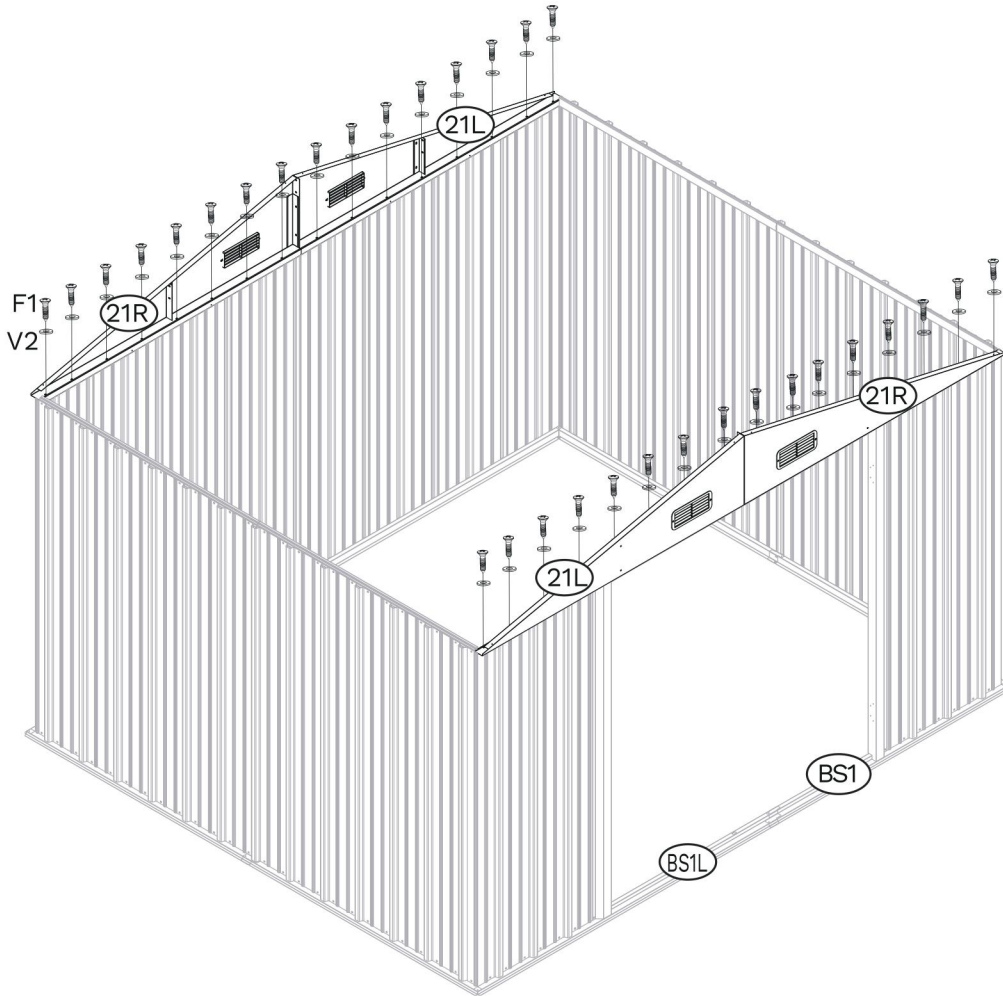
Don't tighten these two screws too tightly.



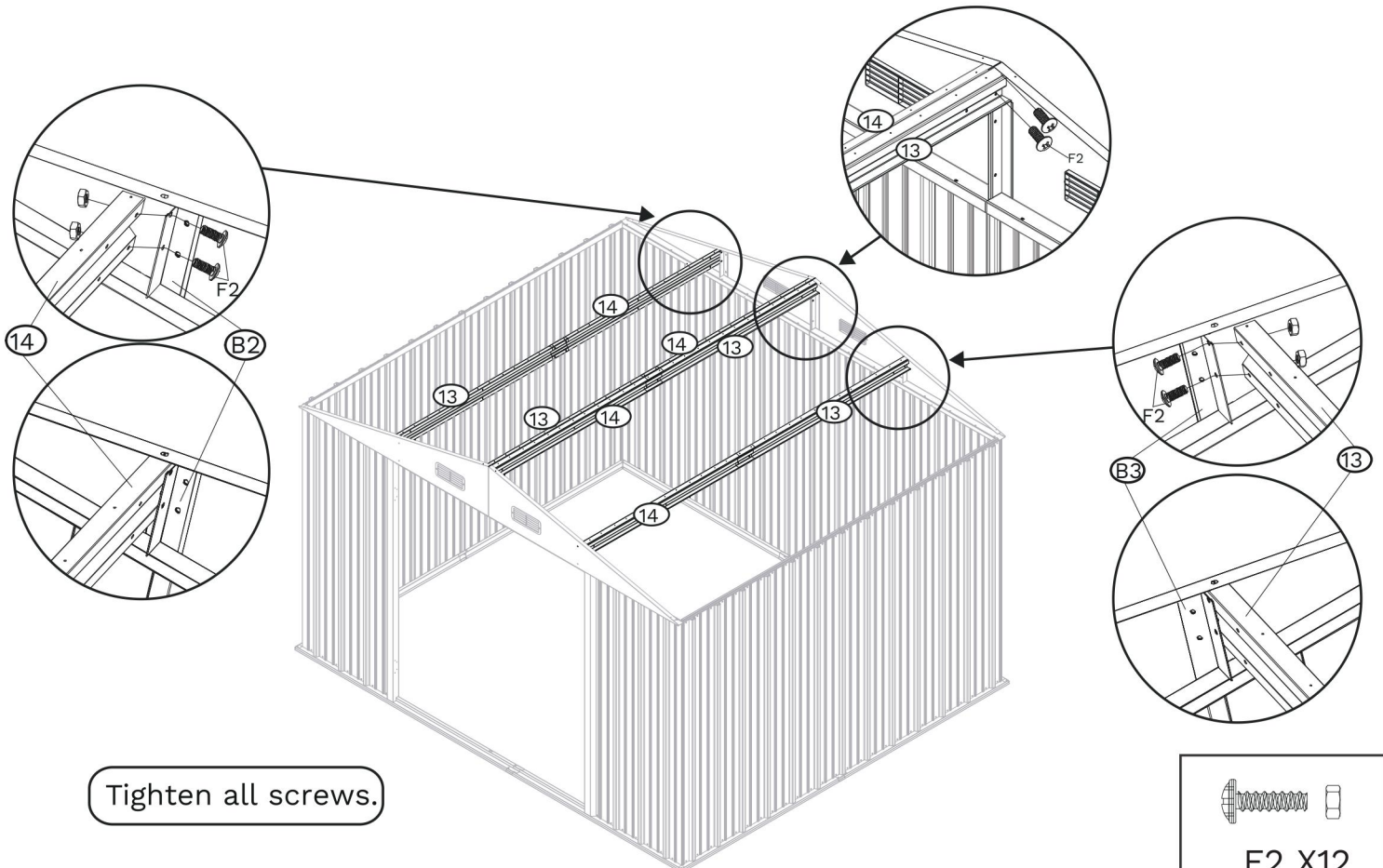
# STEP 20



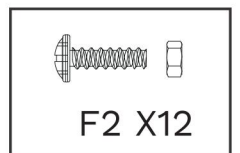
# STEP 21



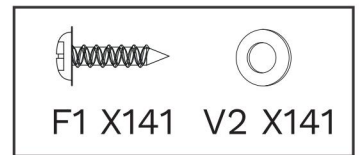
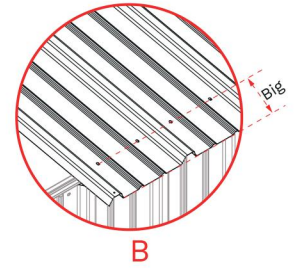
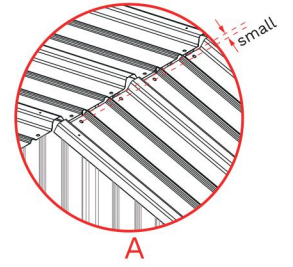
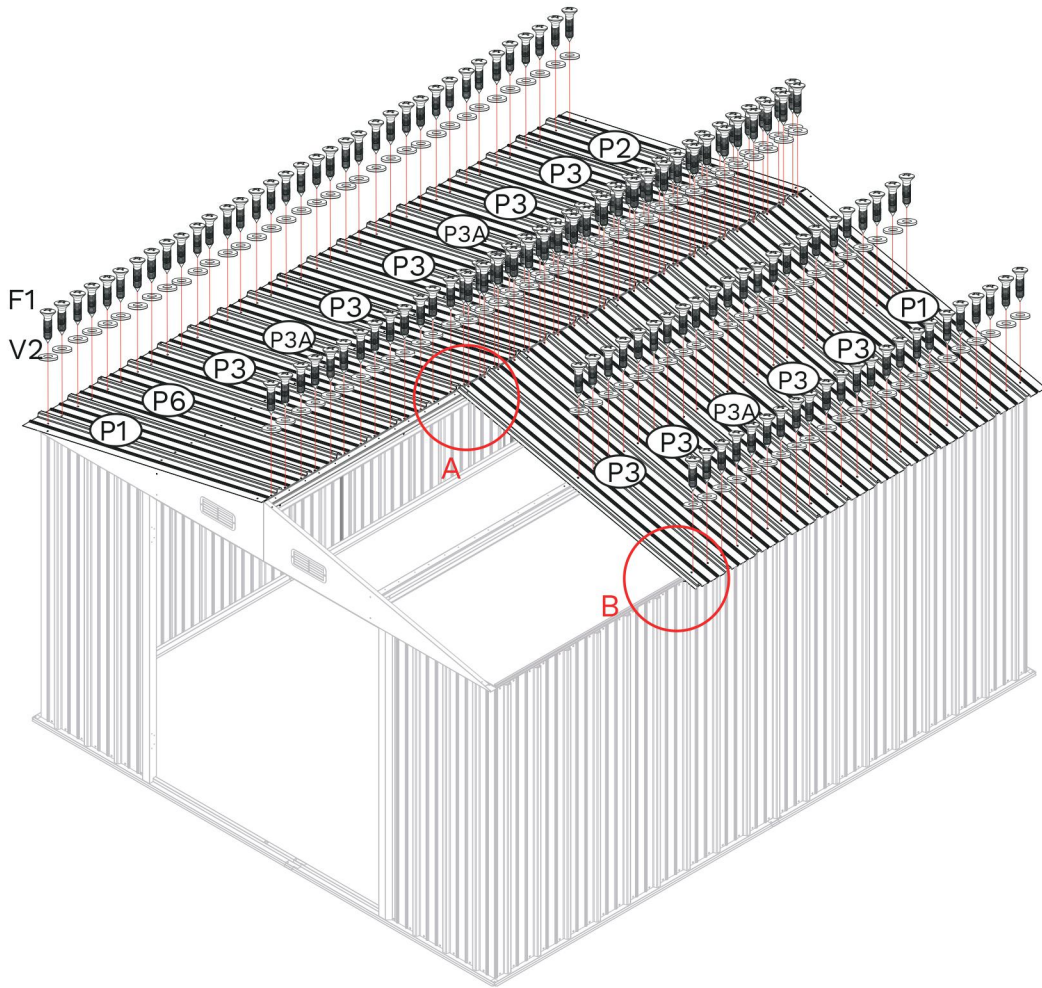
# STEP 22



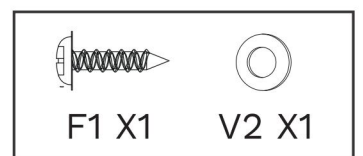
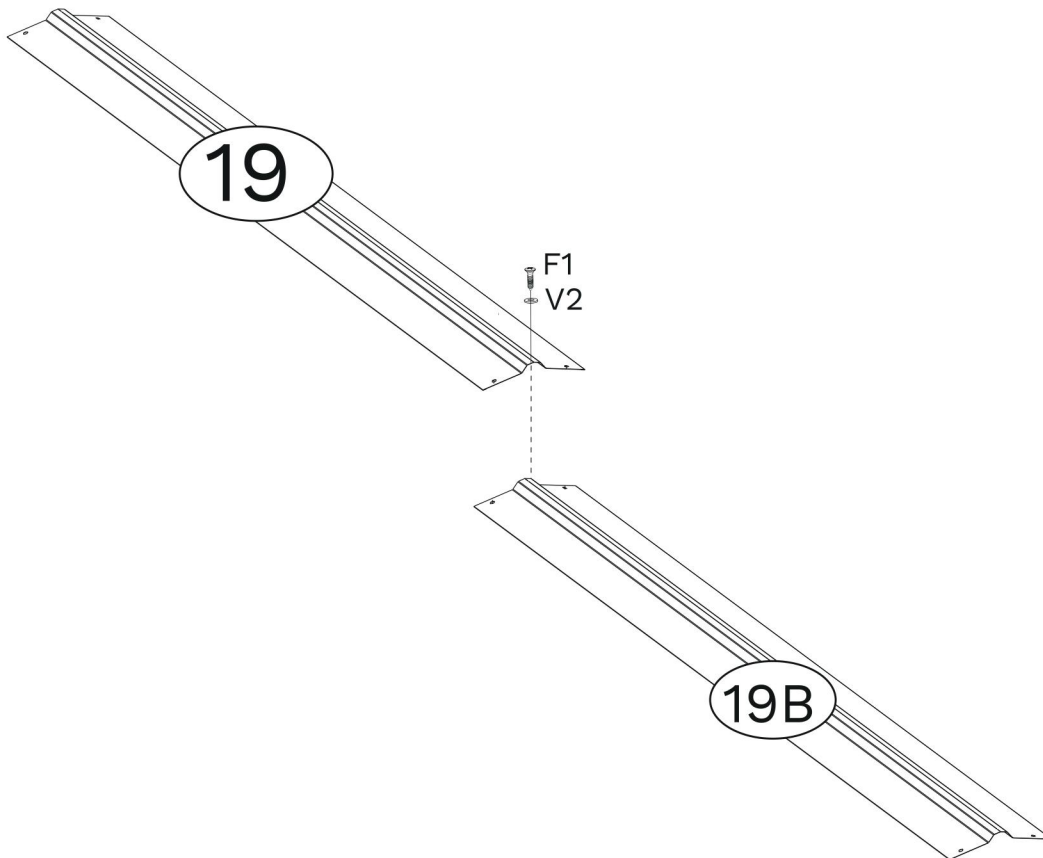
Tighten all screws.



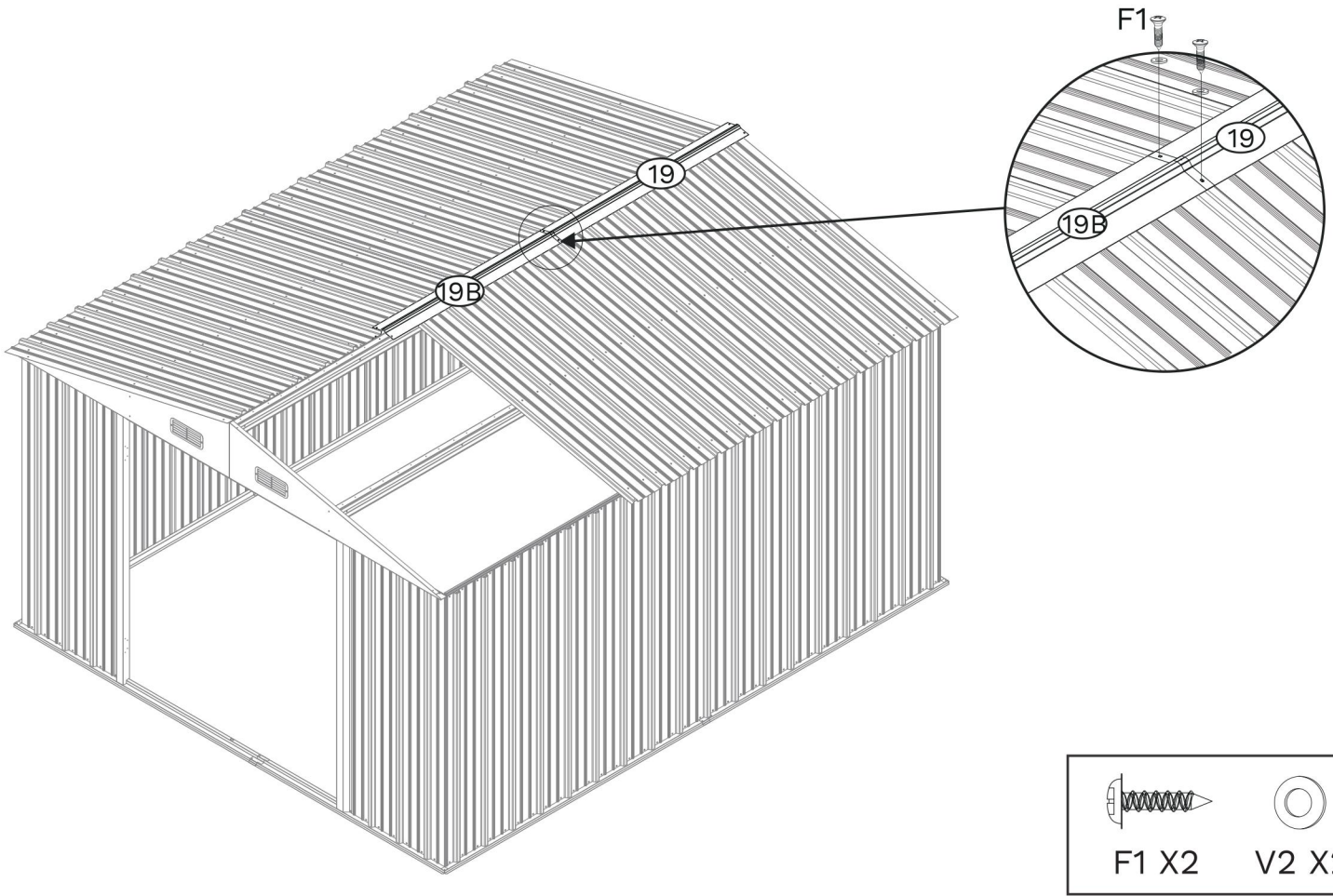
# STEP 23



# STEP 24

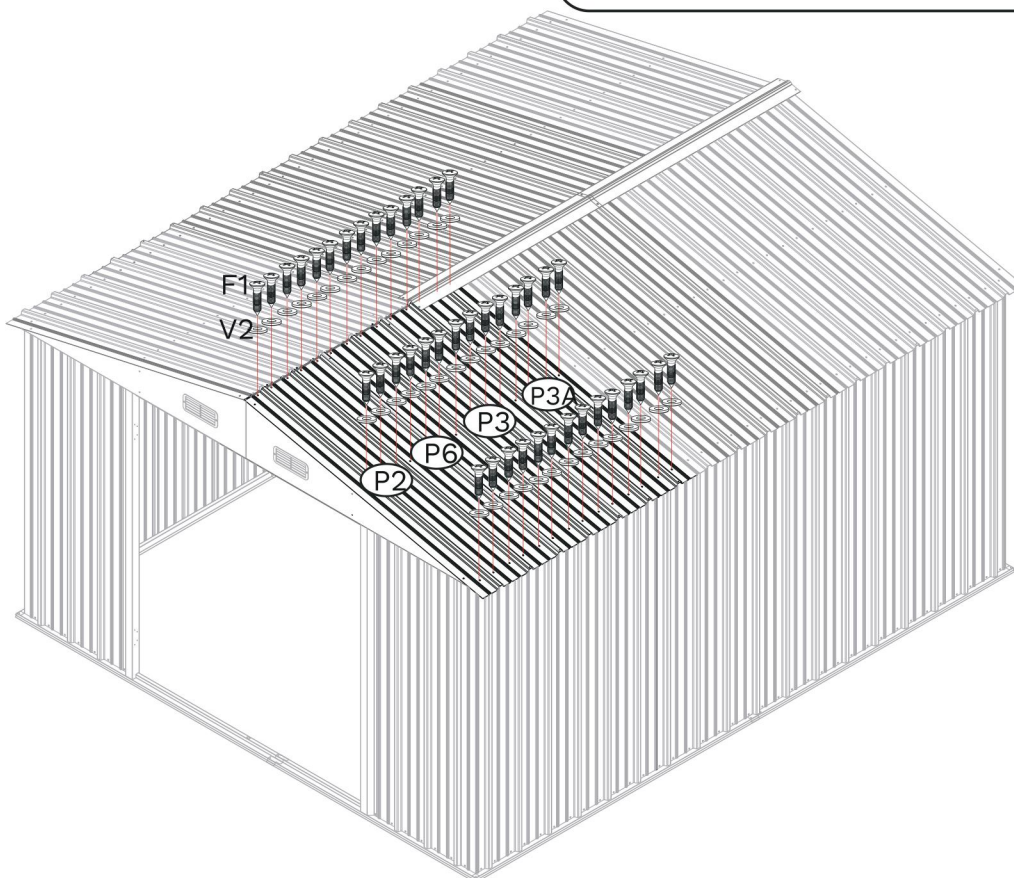


# STEP 25

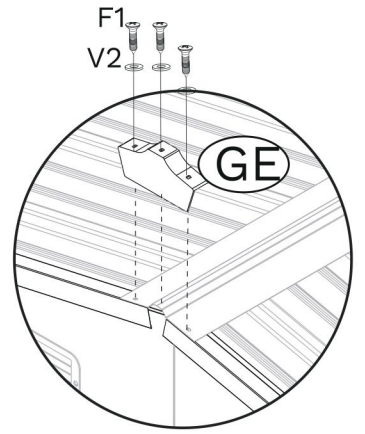
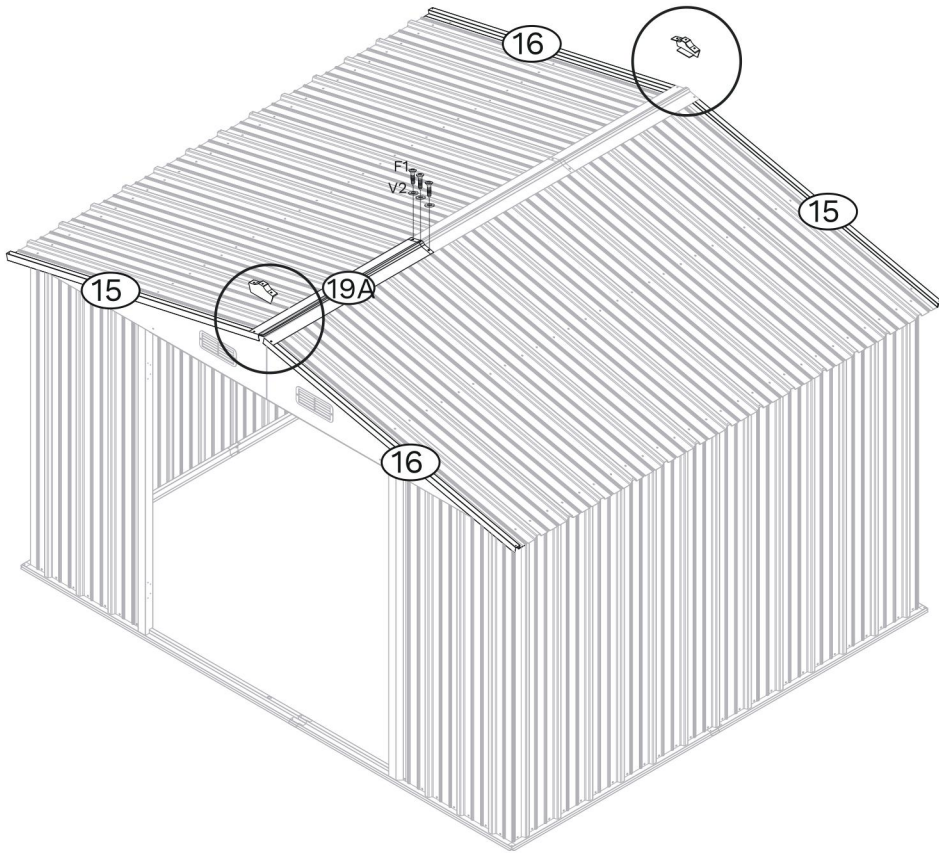


# STEP 26

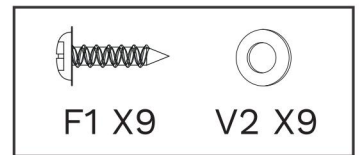
**Installation tips:** You need to gently lift the 19 and then screw it.



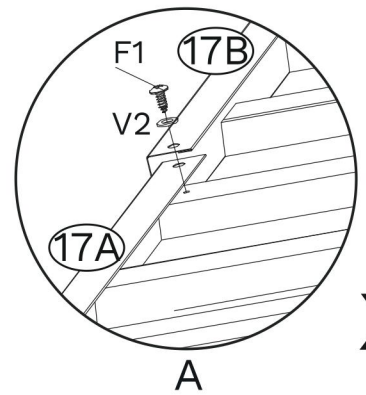
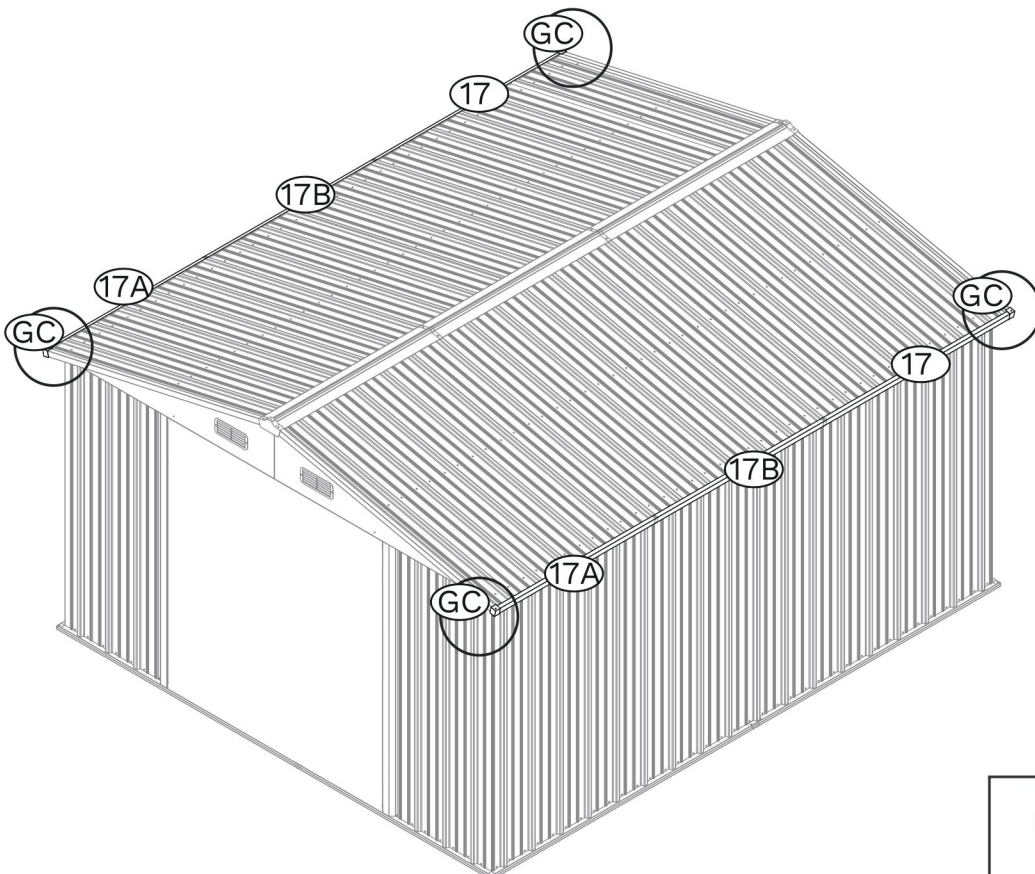
# STEP 27



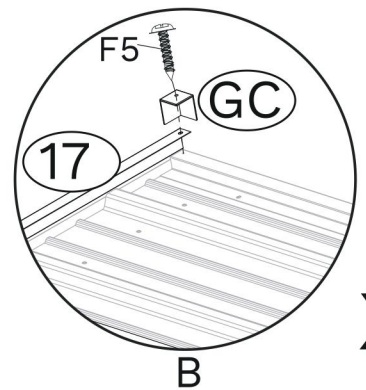
x2



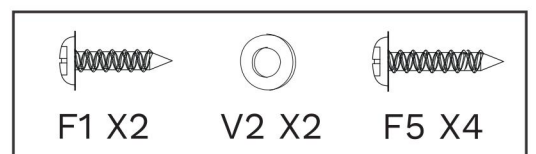
# STEP 28



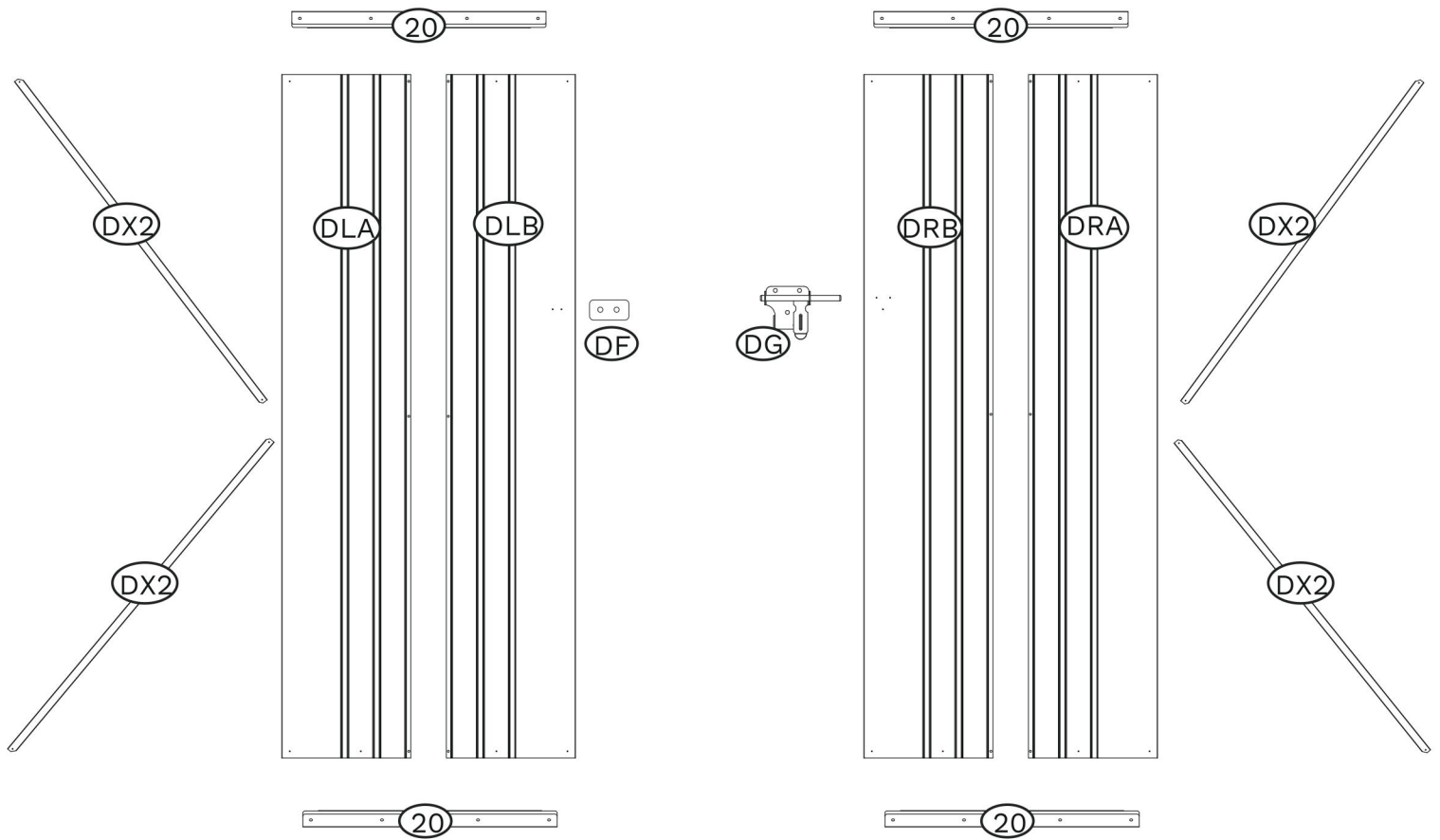
x2



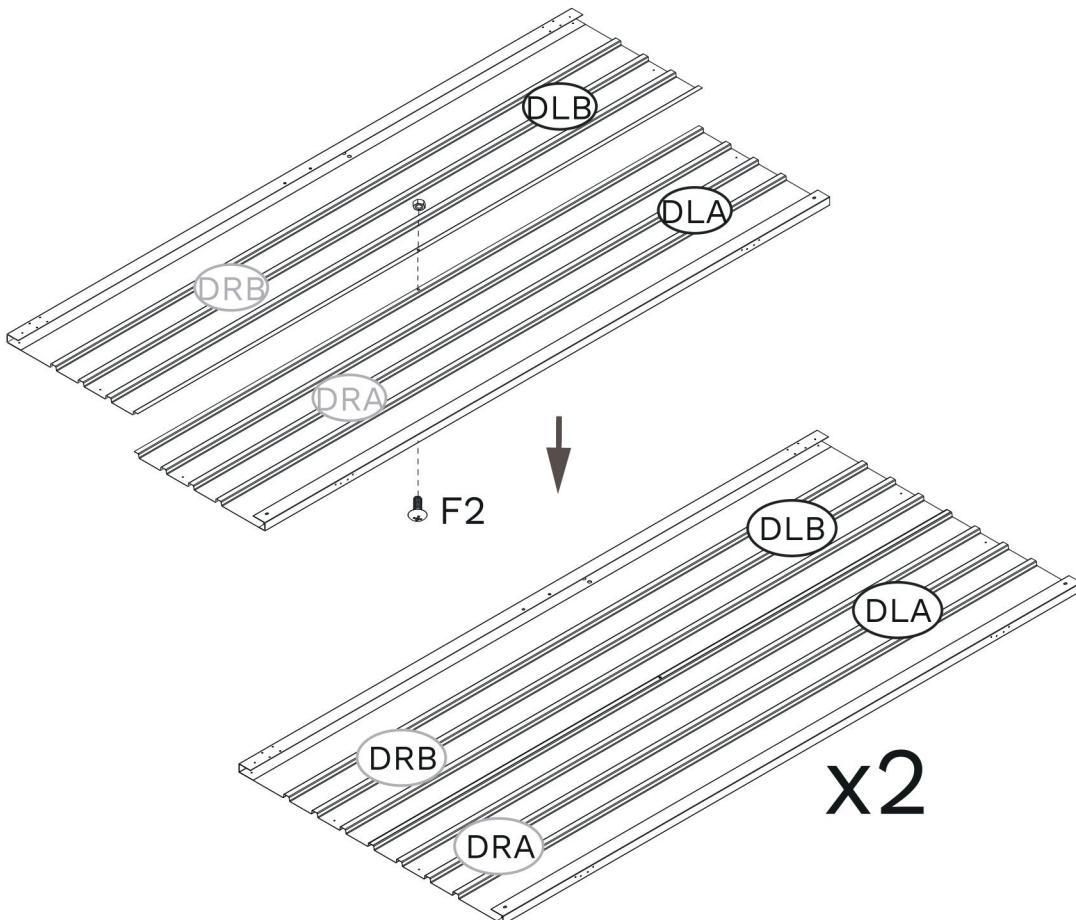
x4



# STEP 29

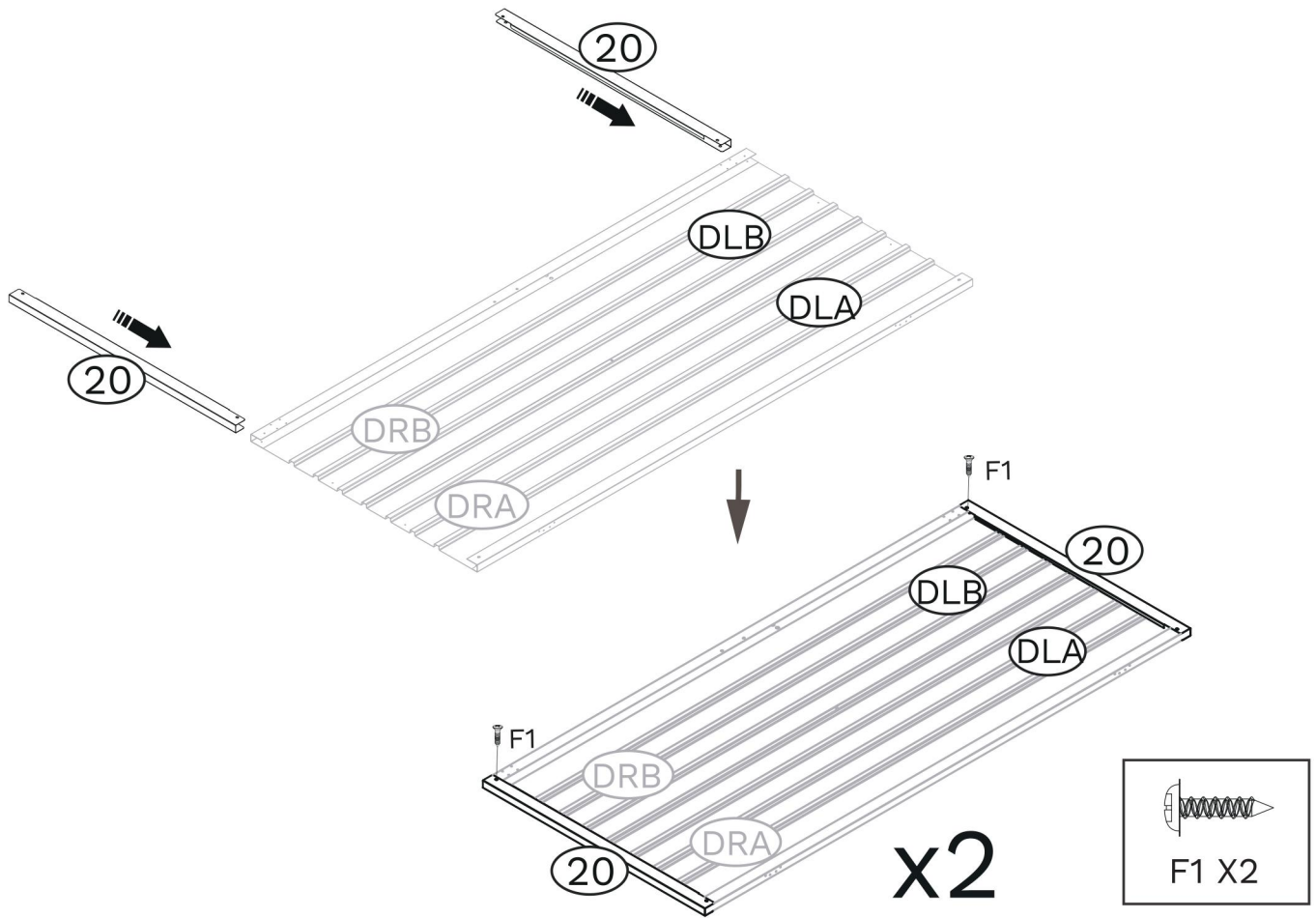


# STEP 30

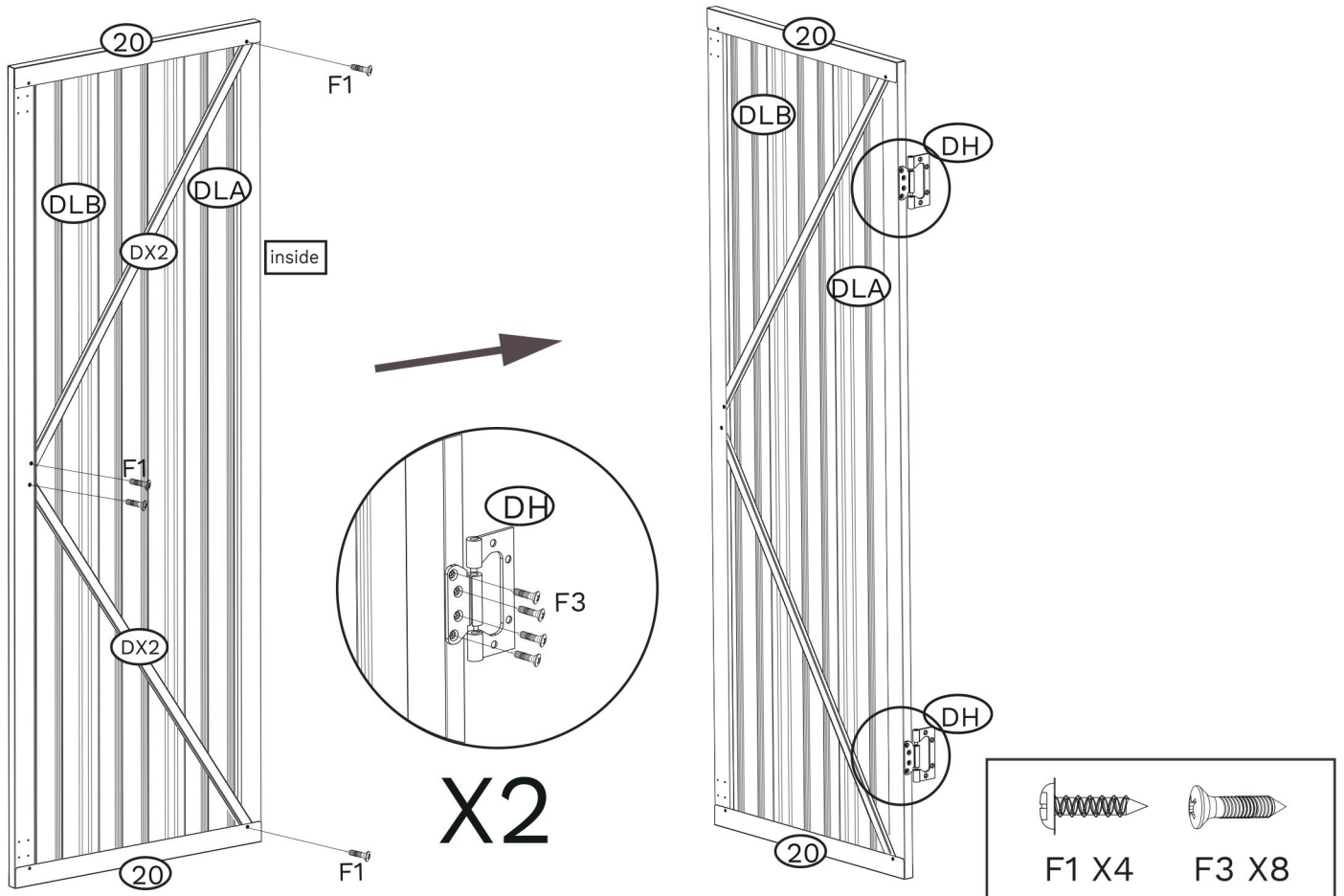




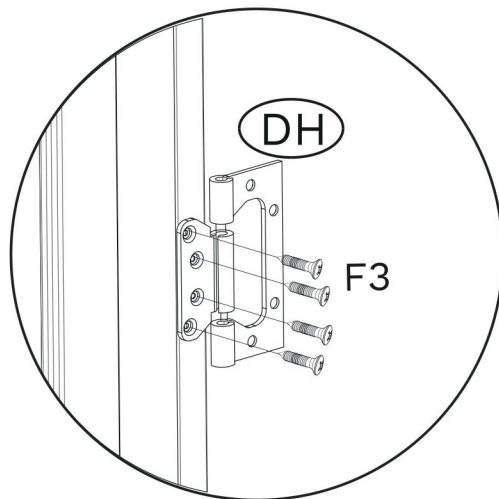
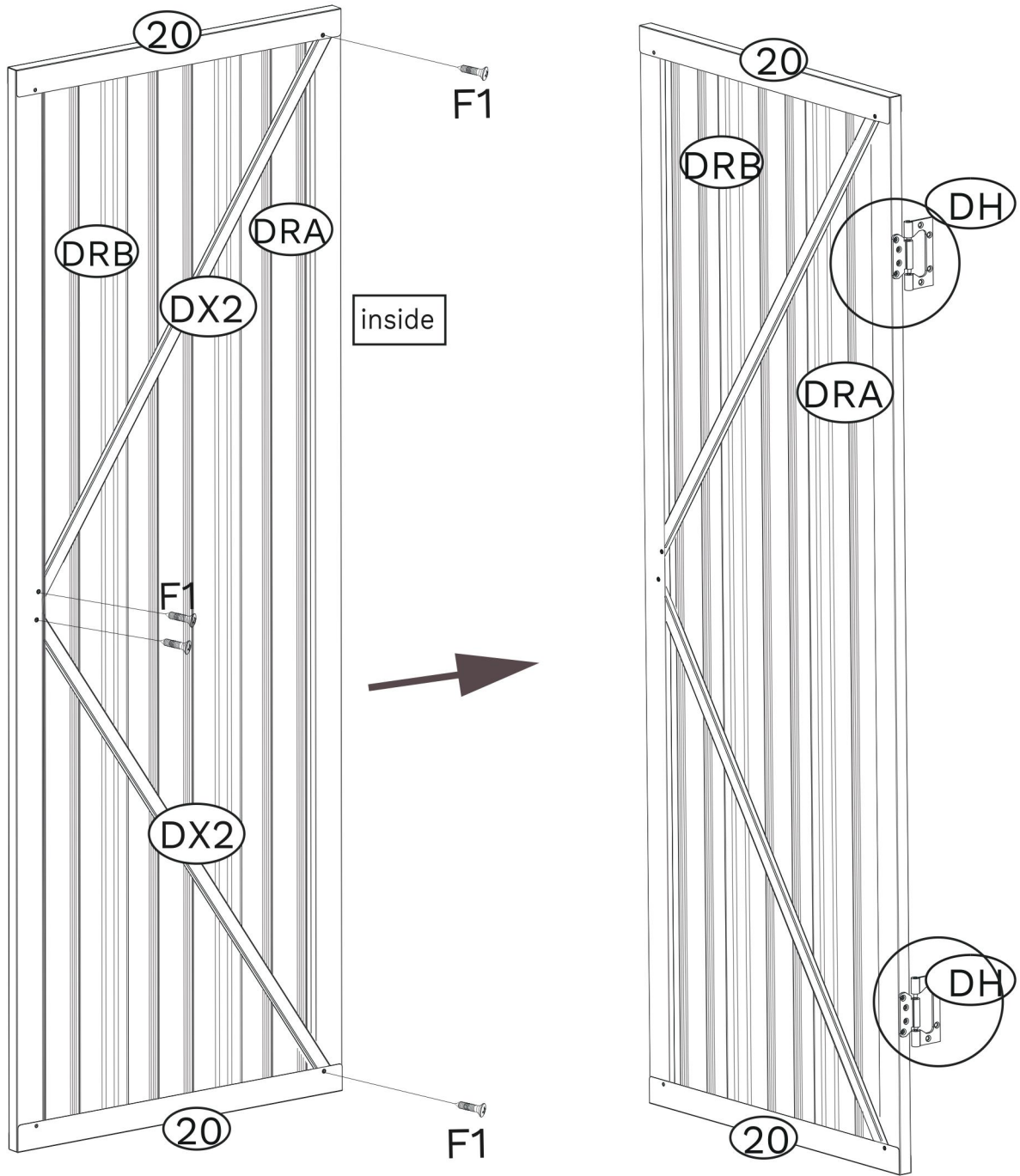
# STEP 31



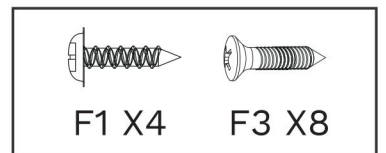
# STEP 32



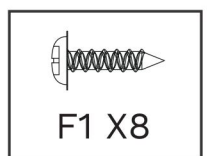
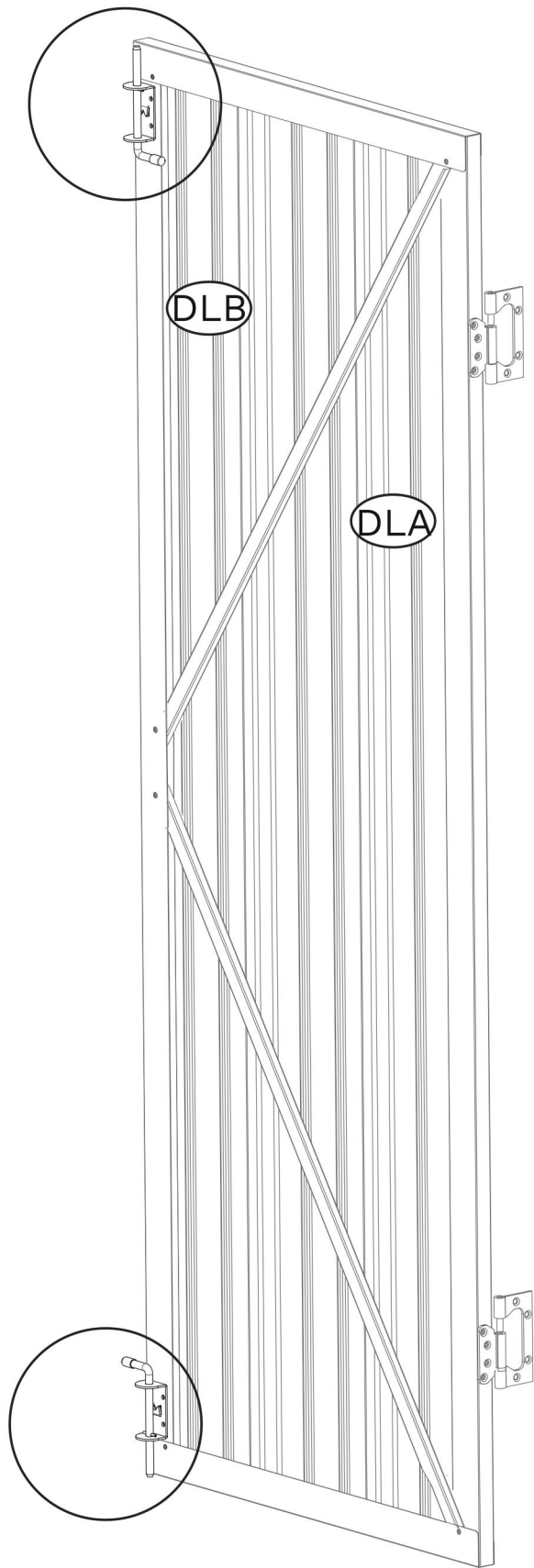
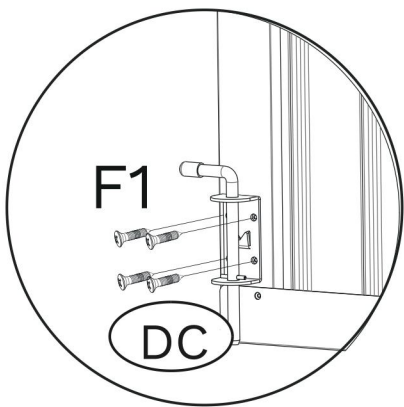
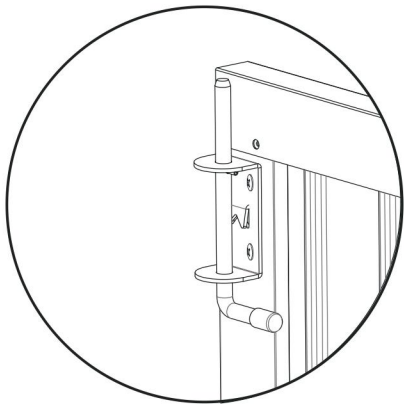
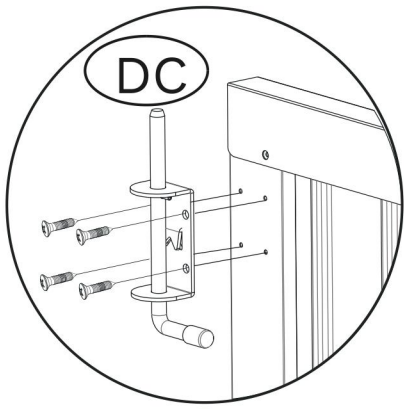
# STEP 33



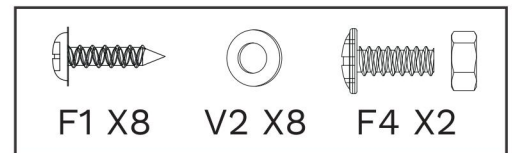
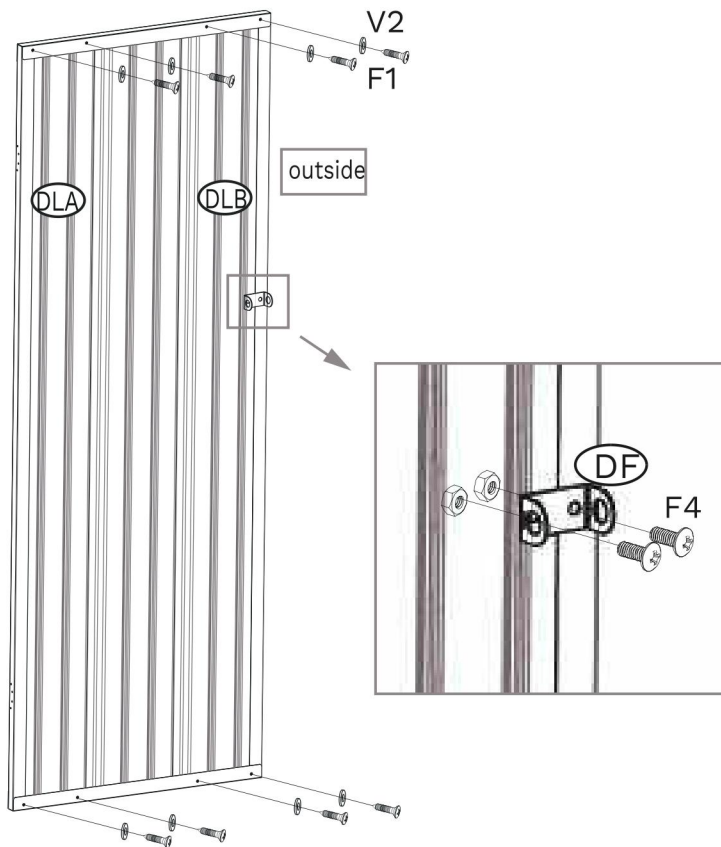
**X2**



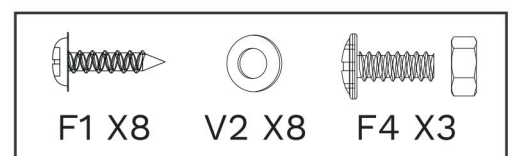
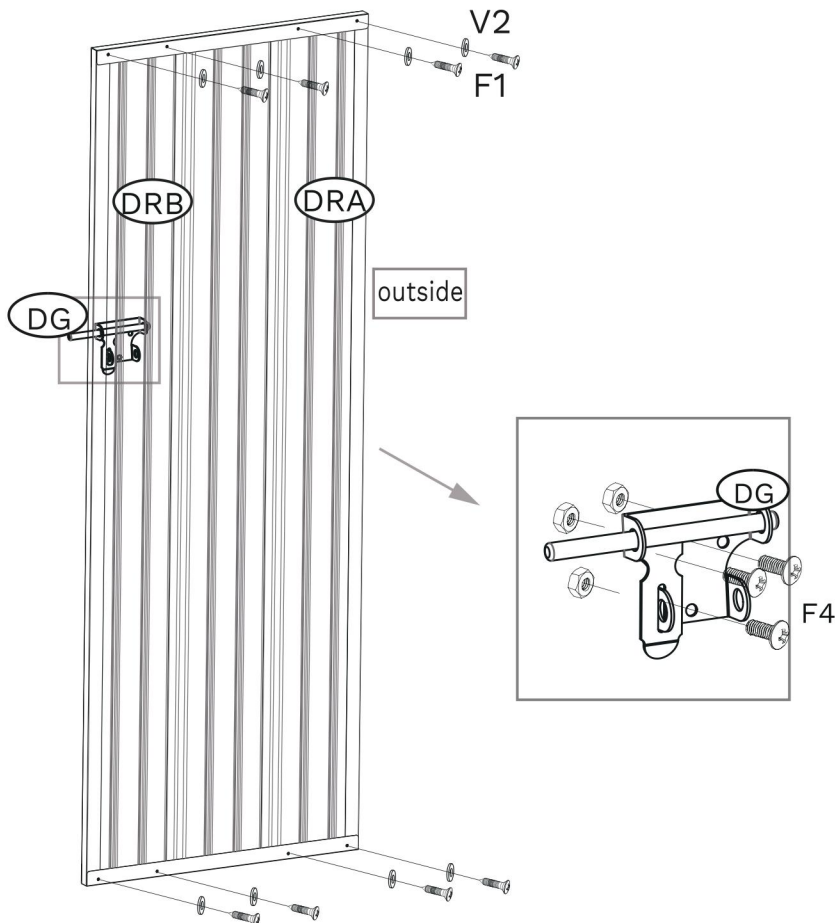
# STEP 34



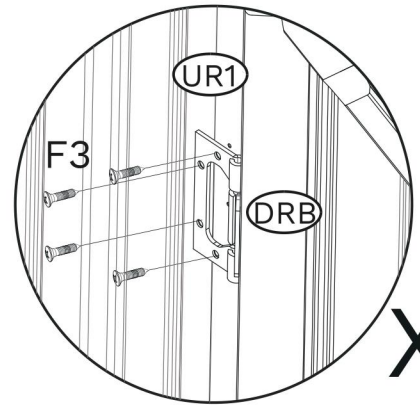
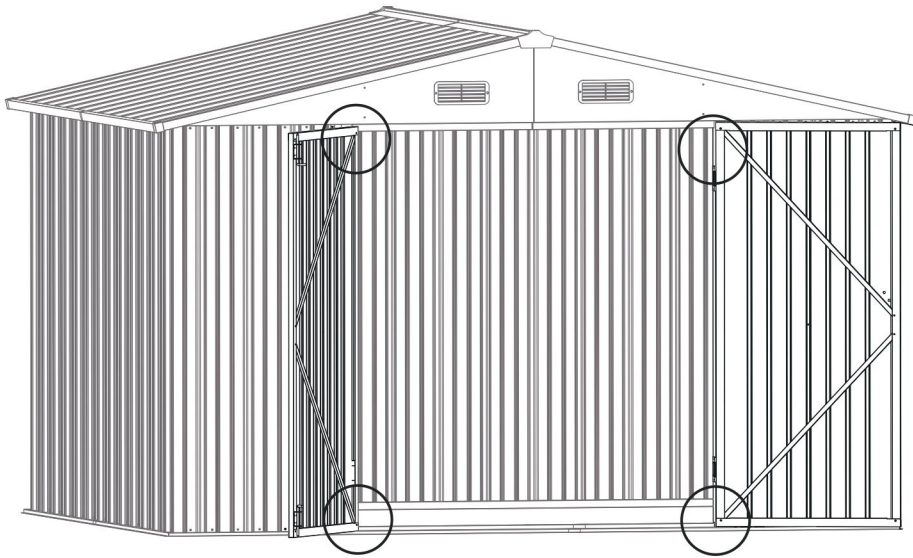
# STEP 35



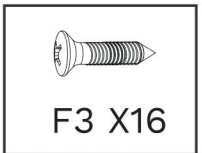
# STEP 36



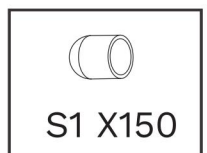
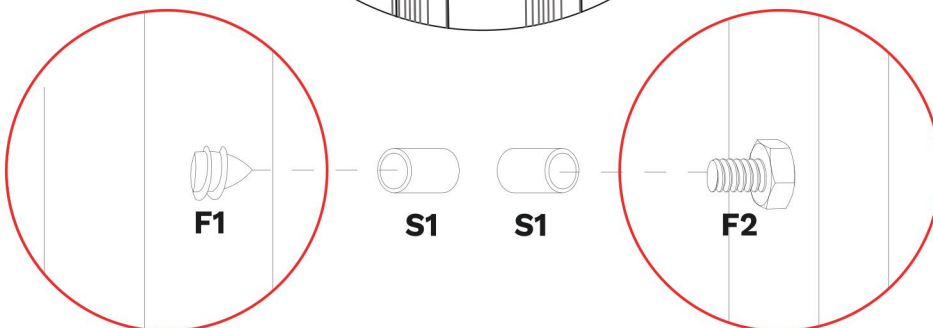
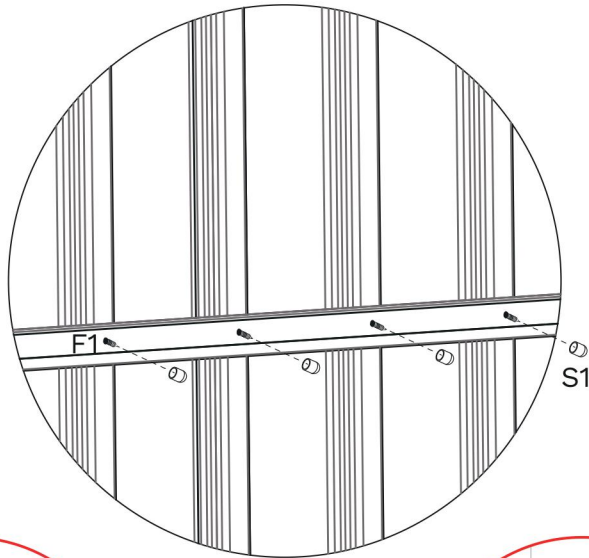
# STEP 37



X4



# STEP 38



## CARE & SAFETY

- In case of fire, do not attempt to extinguish any burning polypropylene with water. Unsuitable for storage of flammable or corrosive substances.
- It is of utmost importance to assemble all of the parts according to the directions. Do not skip any step.
- Please consult your local authorities if any permits are required to erect shed.
- Periodically check shed to assure that it remains stable and that the site remains level.
- It is highly recommended to secure the shed to an immovable object or to the ground by drilling holes in the floor at the pre-marked locations and inserting proper screws into the ground (size: 1.9"-3", screws are not included).
- Wear safety-goggles and always follow the manufacturer's instructions when using power tools.
- Wash shed with garden hose or a mild detergent solution. Using a stiff brush or abrasive cleaner could damage shed.
- Hot items such as recently used grills, blowtorches, etc. must not be stored in the shed.
- Heavy articles should not be leaned against the walls, as this may cause distortion.
- Keep roof clean of snow and leaves. Heavy amounts of snow on roof can damage the shed making it unsafe to enter.
- Although wind direction varies, it is an important factor when taking into account where to place your shed. Therefore, it is recommended to reduce wind exposure of the shed in general, and the door side in particular.
- Keep doors closed and locked to prevent wind damage.
- Do not stand on the roof.