

ASSEMBLY INSTRUCTIONS

---

# METAL GARDEN SHED

---

SKU: T-PS22-0096

BE  
YOUR  
LIFE BUILDER

[www.patiowell.com](http://www.patiowell.com)

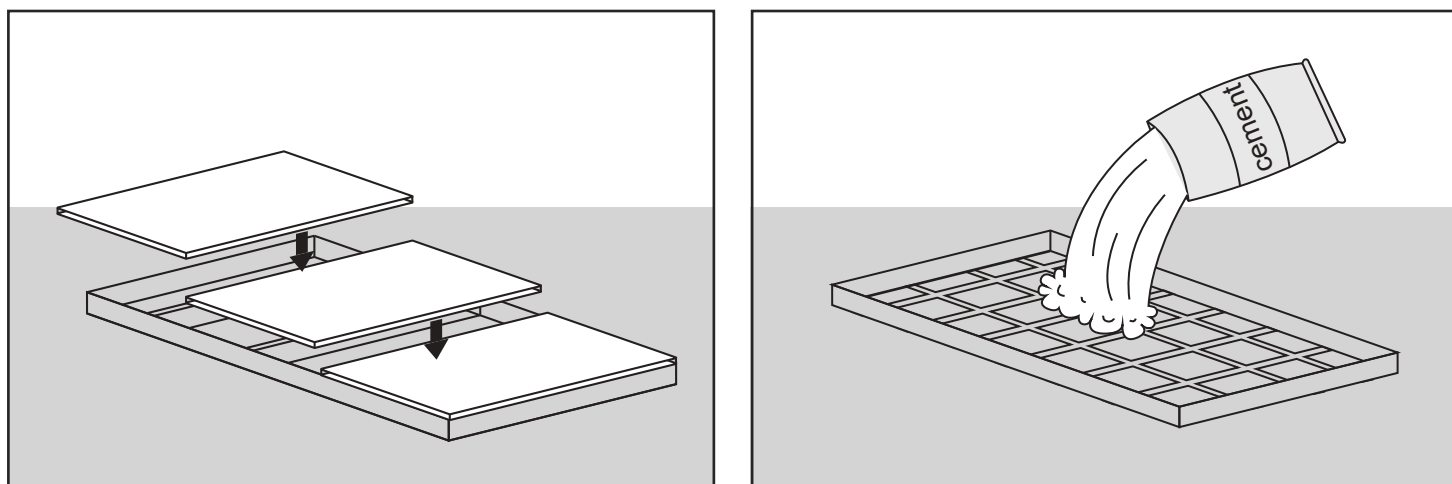


# SITE PREPARATION

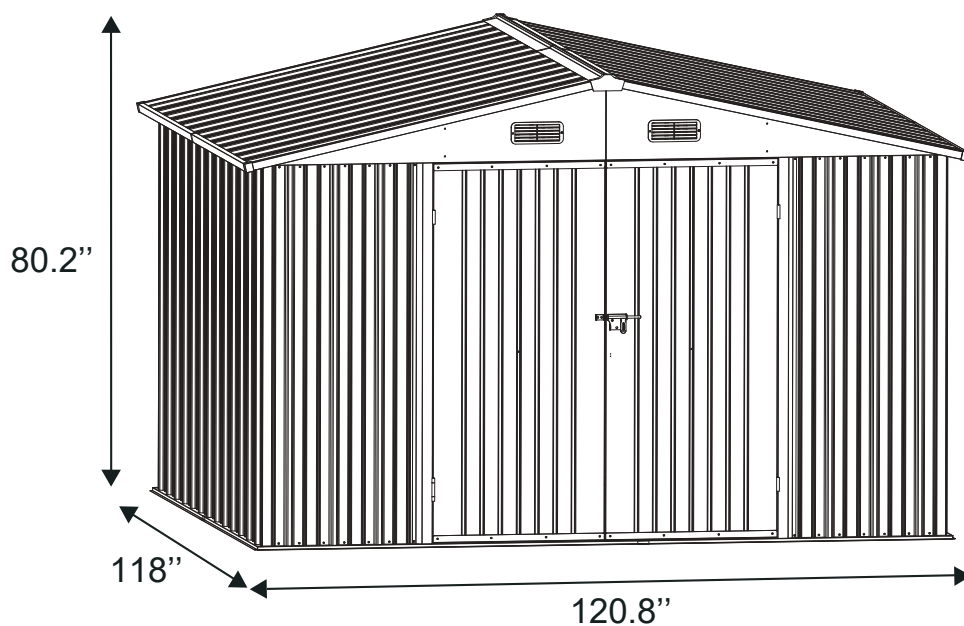
Level the ground surface.



Recommendation: Construct a wooden or concrete base as a foundation.



The external dimensions of the product :



# BEFORE STARTING ASSEMBLY

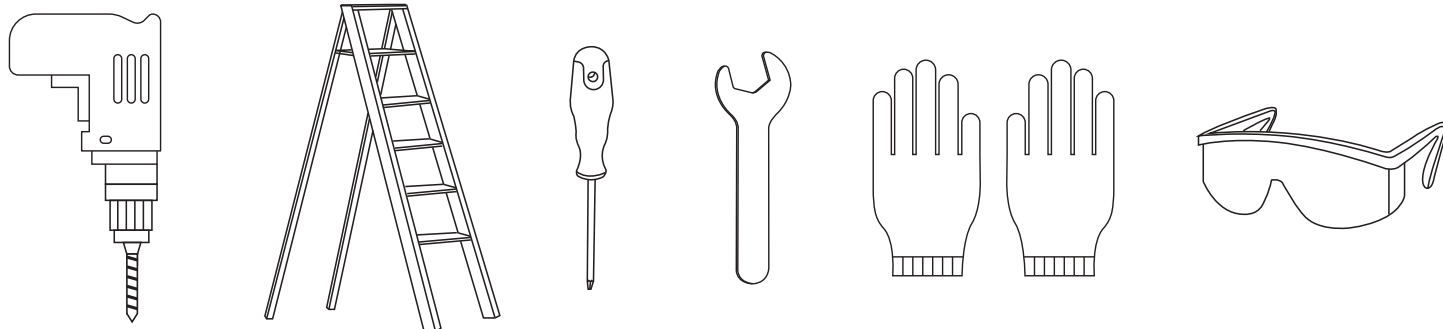
Remove all of the pieces from the 4 packages and spread them out on the ground. Before installation, please check the type and quantity of parts first.

It is recommended to use a clean work surface to spread the parts out and for pre-assembly steps. Review all instructions before you begin, continue to refer to instructions during assembly.

Be sure to follow all steps thoroughly.

Please prepare these components in advance at the beginning of each stage.

## REQUIRED TOOLS



## CAUTION

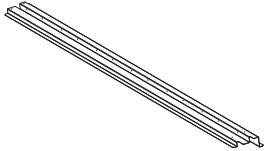
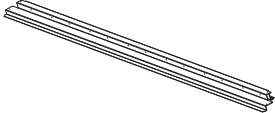
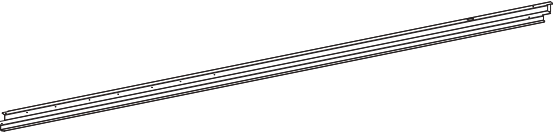
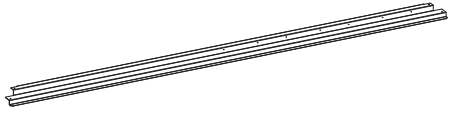
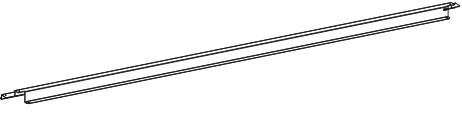
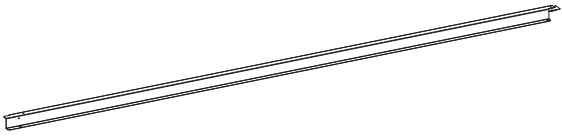
Some parts have steel edges. Please be careful when handling components. Always wear work gloves, eye protection and long sleeves when assembling or performing any maintenance on your shed. Do not attempt assembly on days with strong winds or low temperatures.



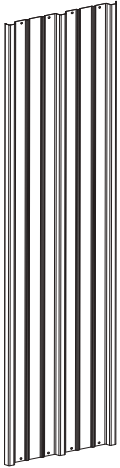
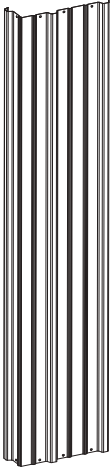
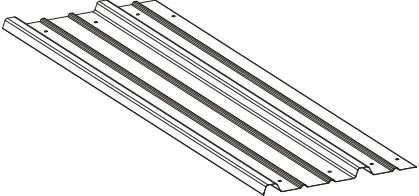
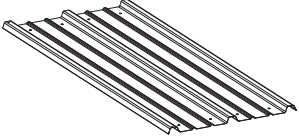
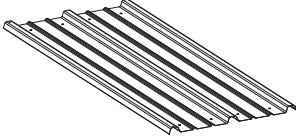
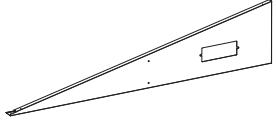

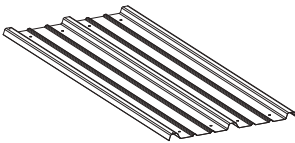
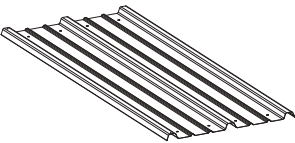
Requires two people and takes 2-3 hours for Installation. Recommended to wear gloves to avoid scratches. Please read the manual carefully before installation.

**DO NOT RETURN YOUR UNIT  
TO THE STORE**  
Contact us first  
[saleservice@patiowell.com](mailto:saleservice@patiowell.com)

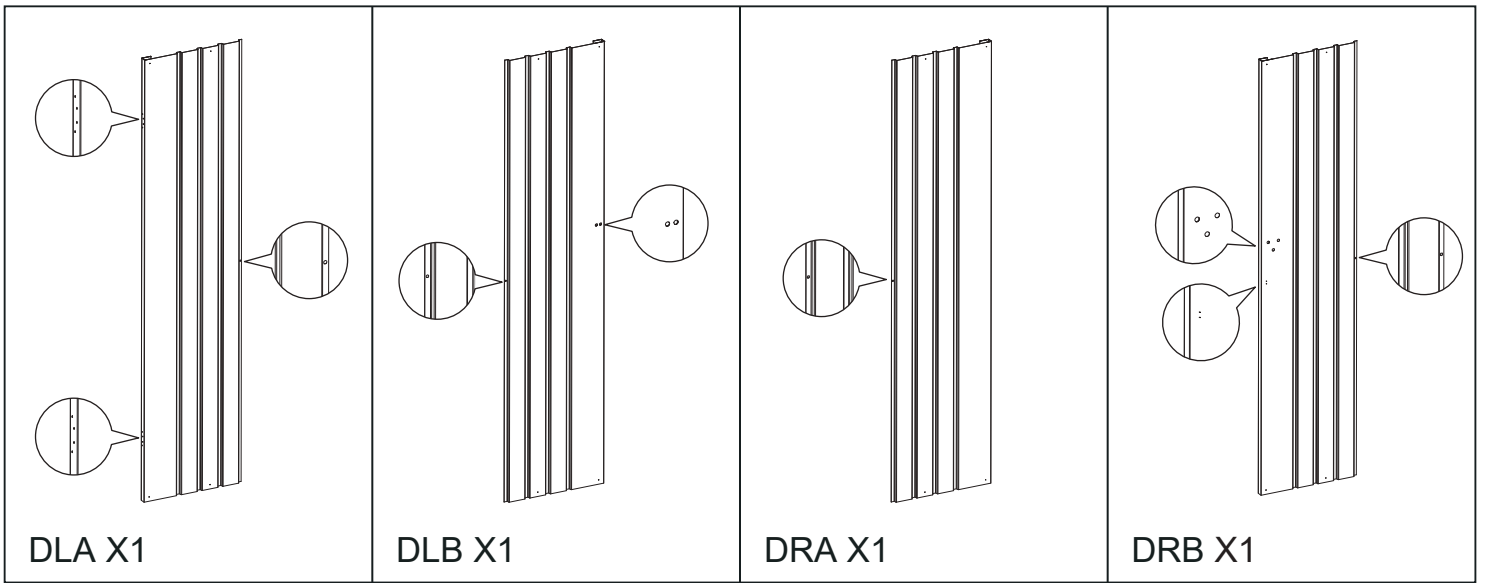
# FOUNDATION

<p>1 X2</p> 	<p>2 X2</p> 
<p>BS1L X1</p> 	<p>BS1 X1</p> 
<p>BS2L X1</p> 	<p>BS2 X1</p> 

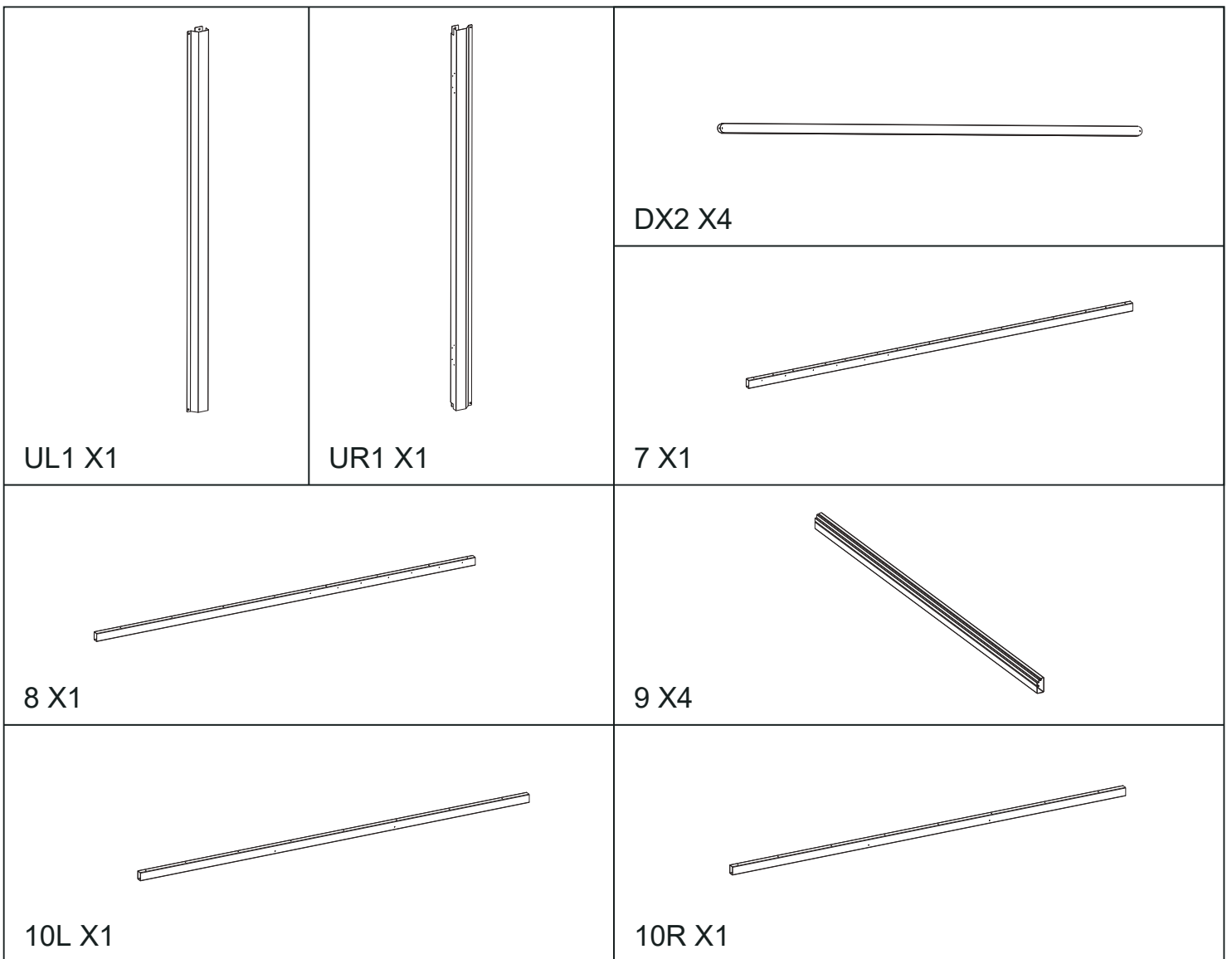
# PLATES

 <p>W1A X22</p>	 <p>WS2A X4</p>	 <p>P1 X2</p>	
 <p>P3 X4</p>	 <p>P3A X4</p>	 <p>21L X2</p>	
 <p>21R X2</p>		 <p>P4 X2</p>	 <p>P5 X2</p>

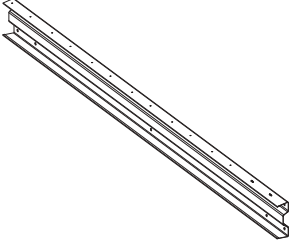
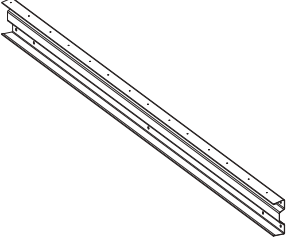
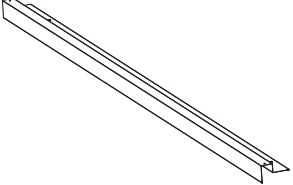
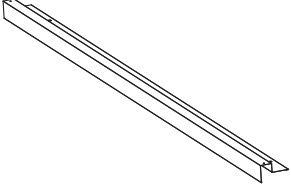


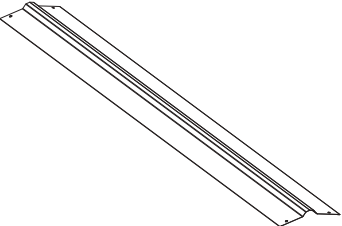





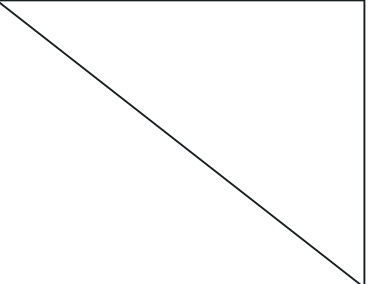
# PLATES



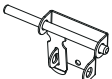




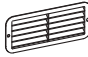
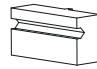
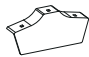


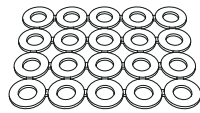
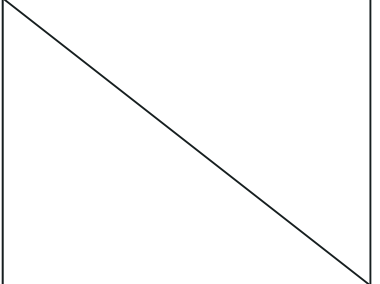
# STRIPS



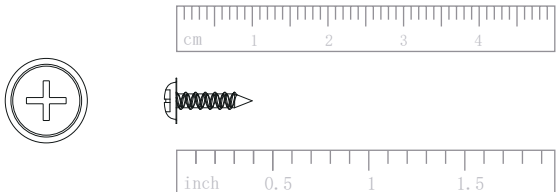
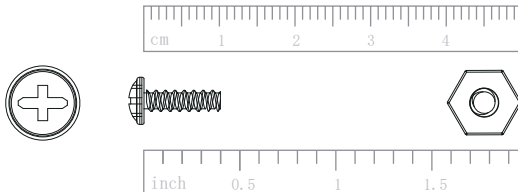
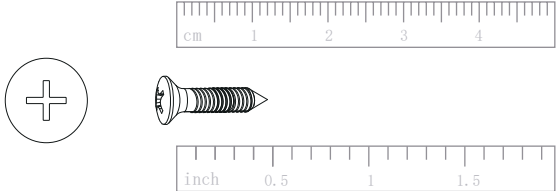
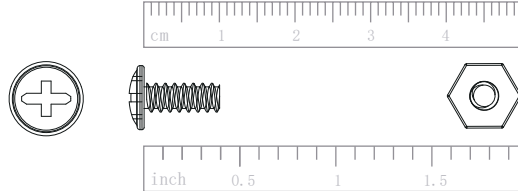
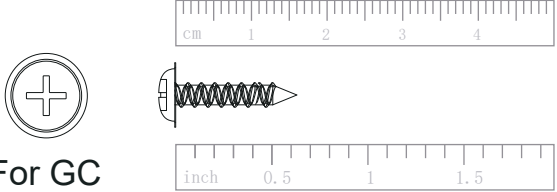
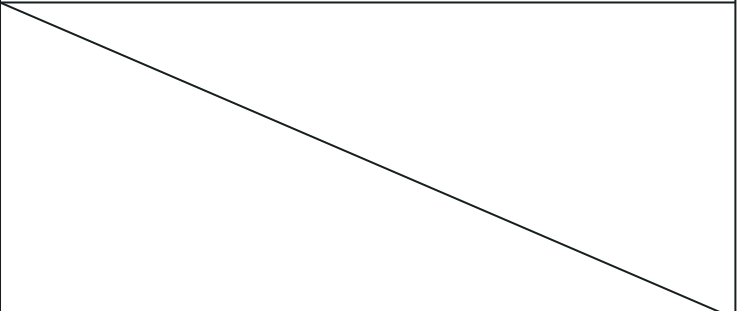
# STRIPS

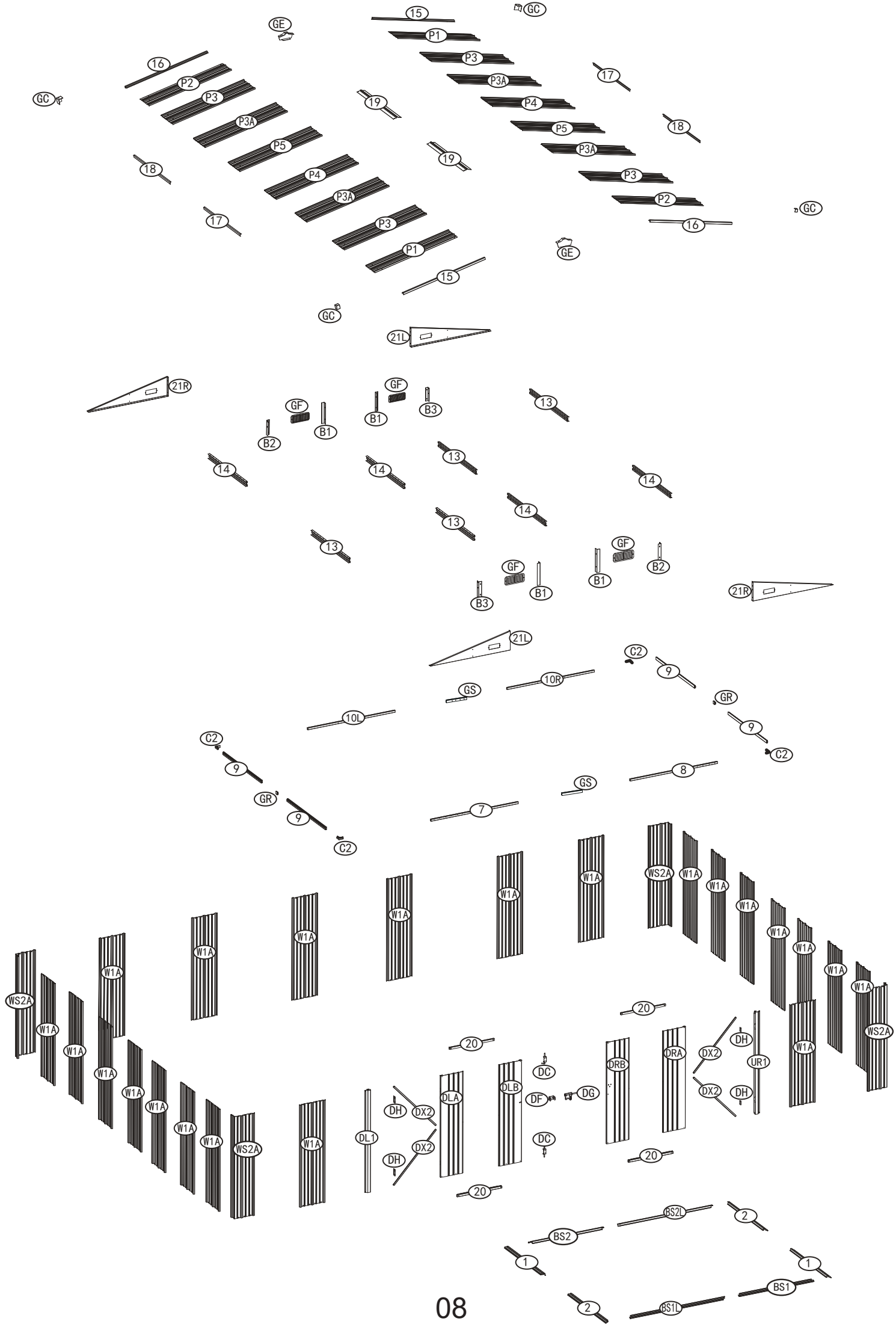
 <p>13 X4</p>	 <p>14 X4</p>		
 <p>15 X2</p>	 <p>16 X2</p>		
 <p>17 X2</p>	 <p>18 X2</p>		
 <p>19 X2</p>	 <p>20 X4</p>	 <p>GS X2</p>	
 <p>B1 X4</p>	 <p>B2 X2</p>	 <p>B3 X2</p>	

# STANDARD

 <b>DG X1</b>	 <b>DF X1</b>	 <b>DC X2</b>	 <b>DH X4</b>
 <b>C2 X4</b>	 <b>GF X4</b>	 <b>GR X2</b>	 <b>GE X2</b>
 <b>GC X4</b>	 <b>S1 X120</b>	 <b>V2 X418</b>	

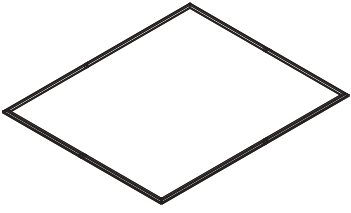
# SCREW

 <b>F1(X503)</b> <b>M4*10</b>	 <b>F2(X54)</b> <b>M4*10</b>
 <b>F3(X32)</b> <b>M5*12</b>	 <b>F4(X5)</b> <b>M6*10</b>
 <b>For GC</b> <b>F5(X4)</b> <b>M4*16</b>	



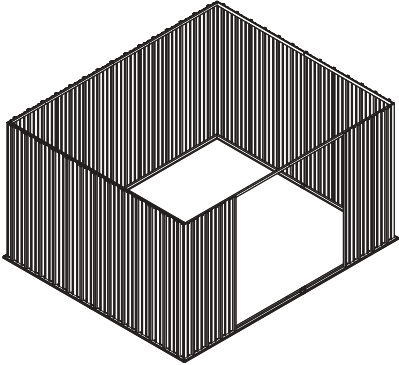


# CONTENTS



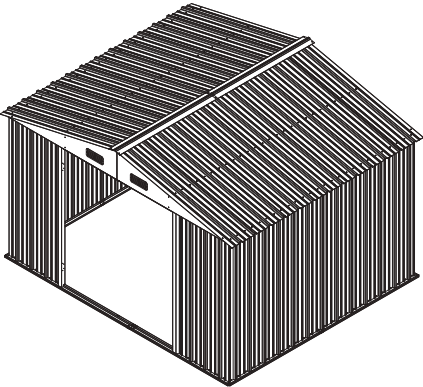
Bottom frame

10-12  
(page)



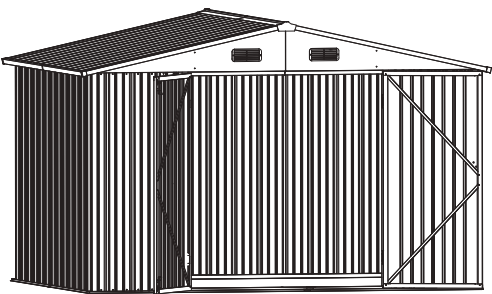
Wall

12-20  
(page)



Roof

21-30  
(page)

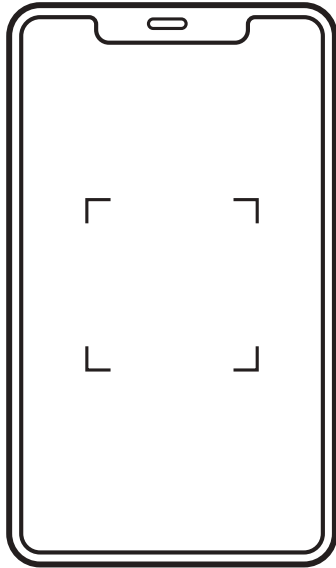


Door

31-36  
(page)

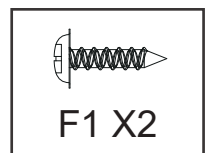
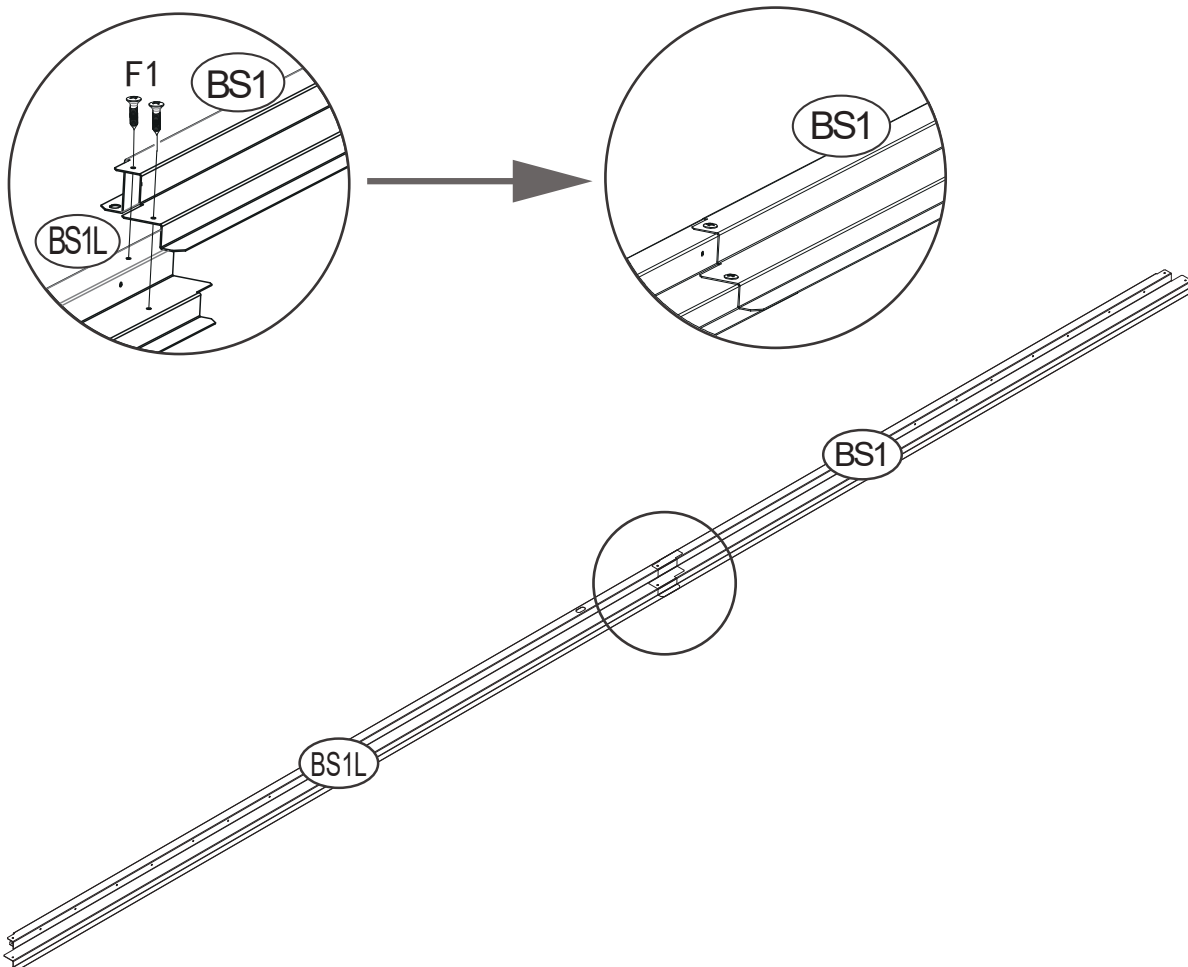
# ATTENTION

For this step only, To ensure a better understanding and installation experience, please **Scan The QR Code** next to it to watch a video tutorial that will assist you in completing the installation.

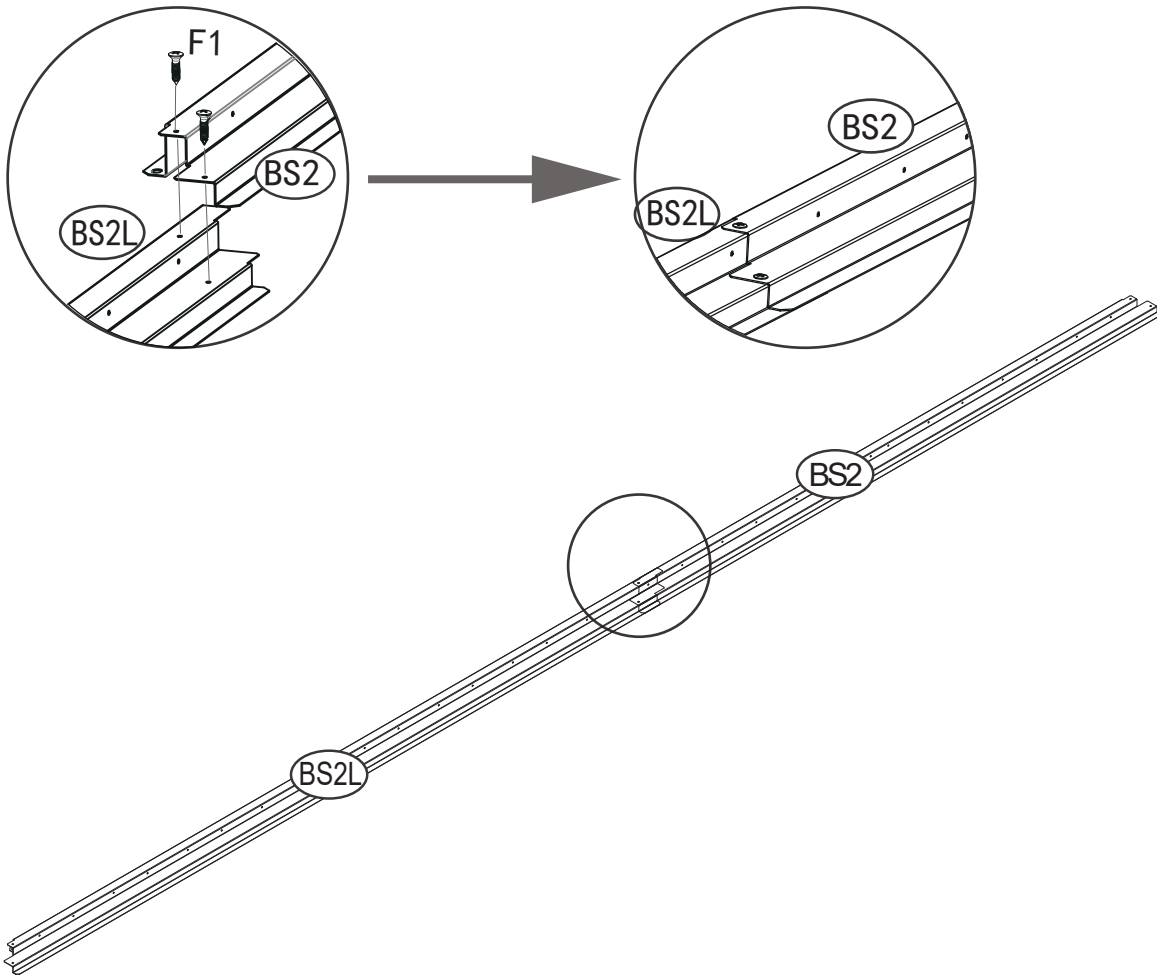


<https://www.patiowell.com/pages/video-t-ps22-0096-8?step1>

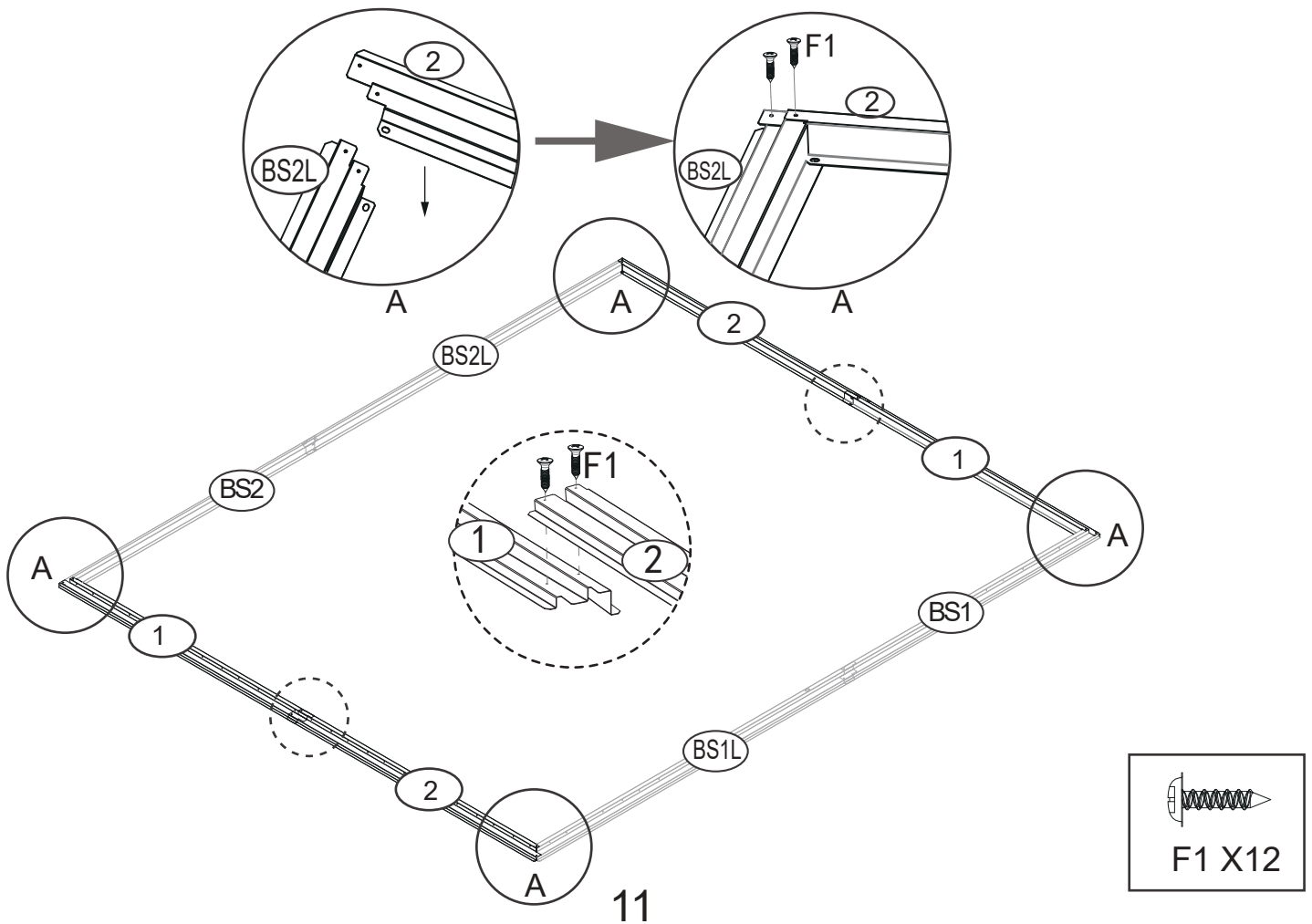
## STEP 1



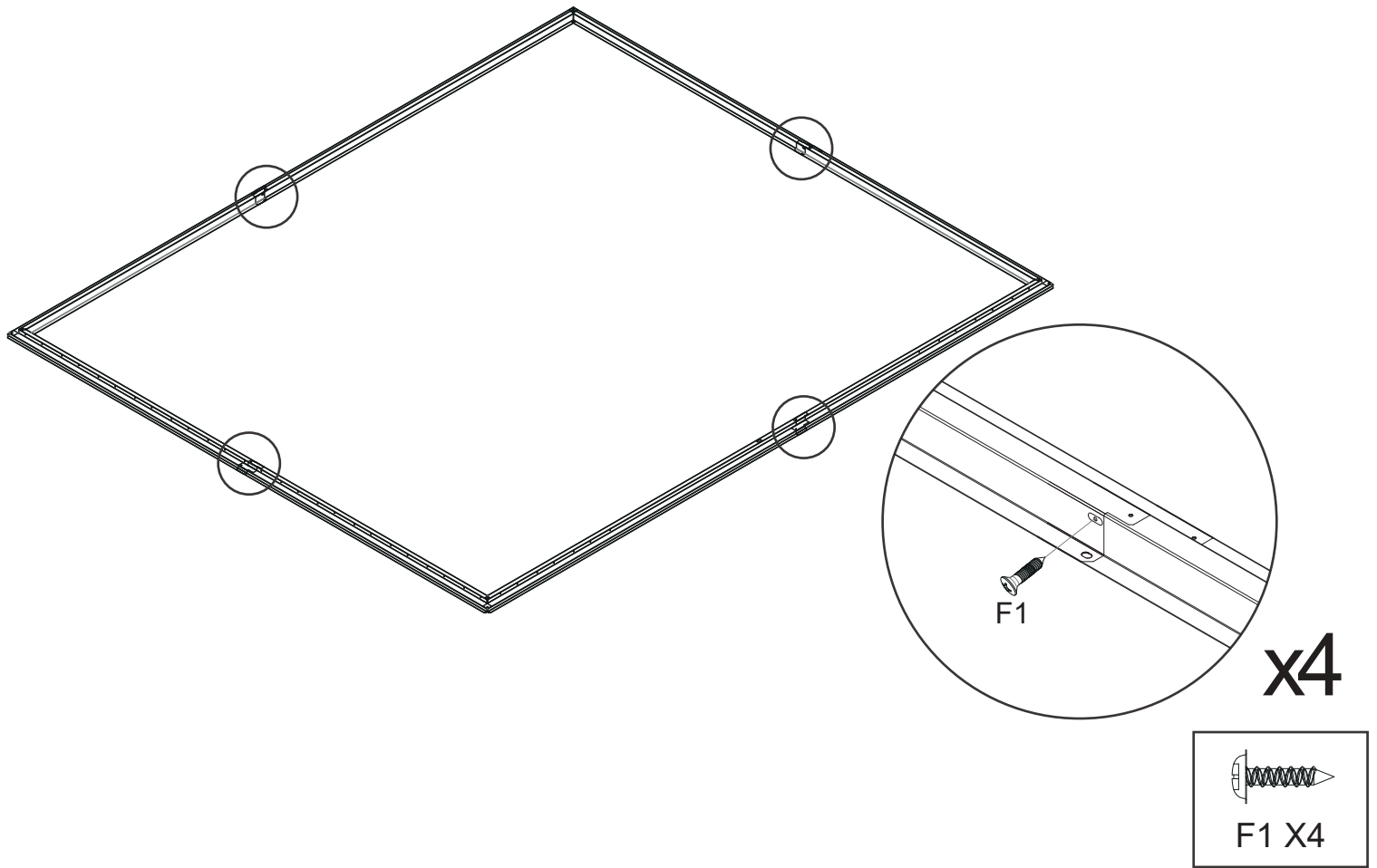
# STEP 2



# STEP 3

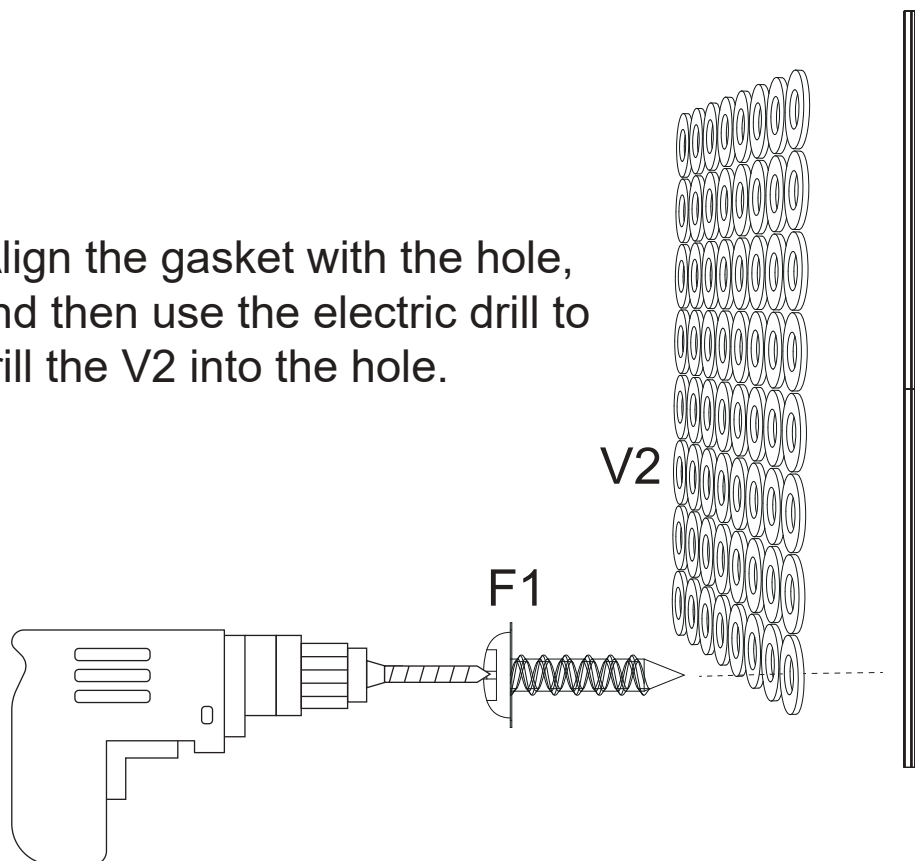


# STEP 4

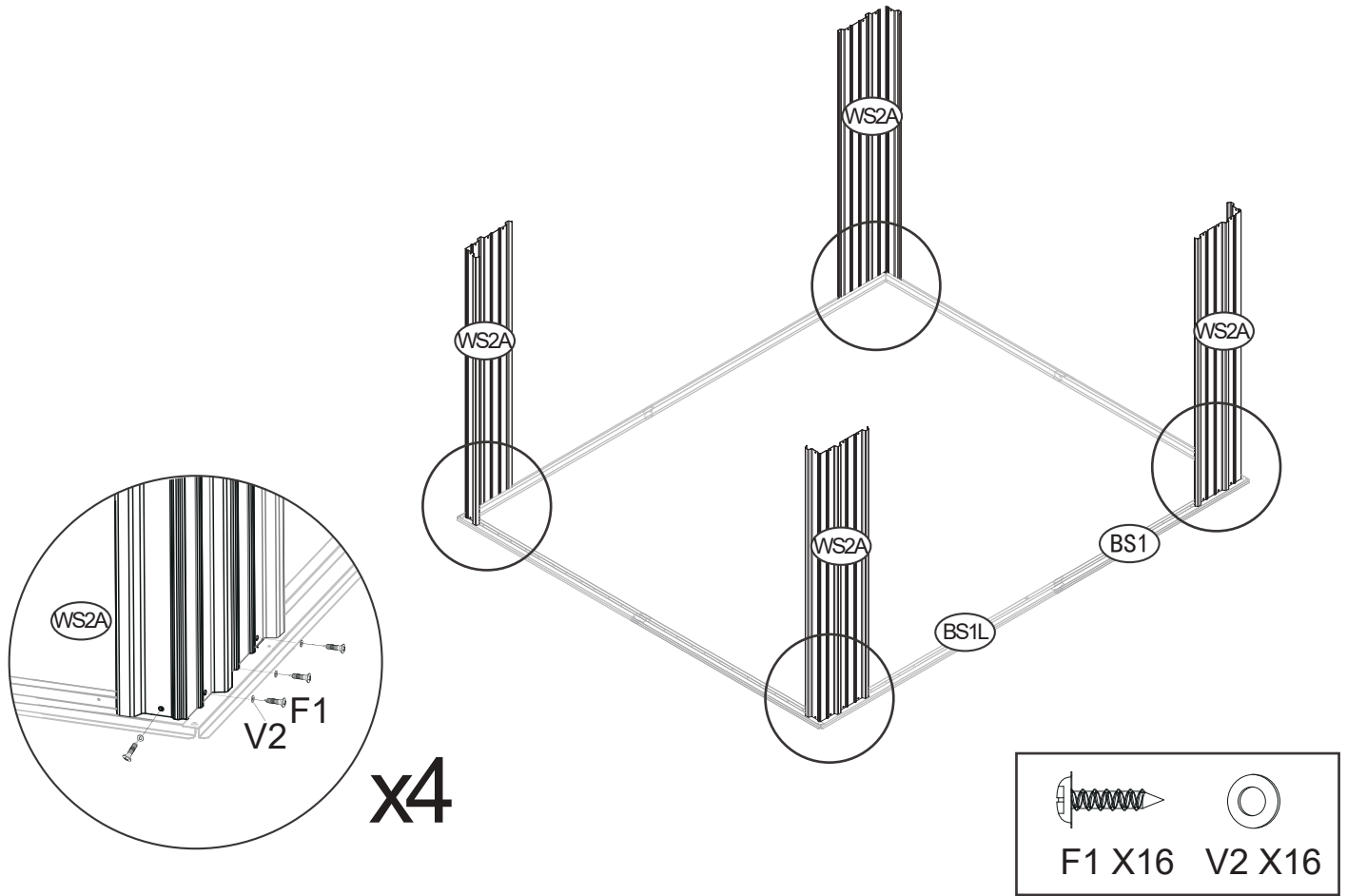


# STEP 5

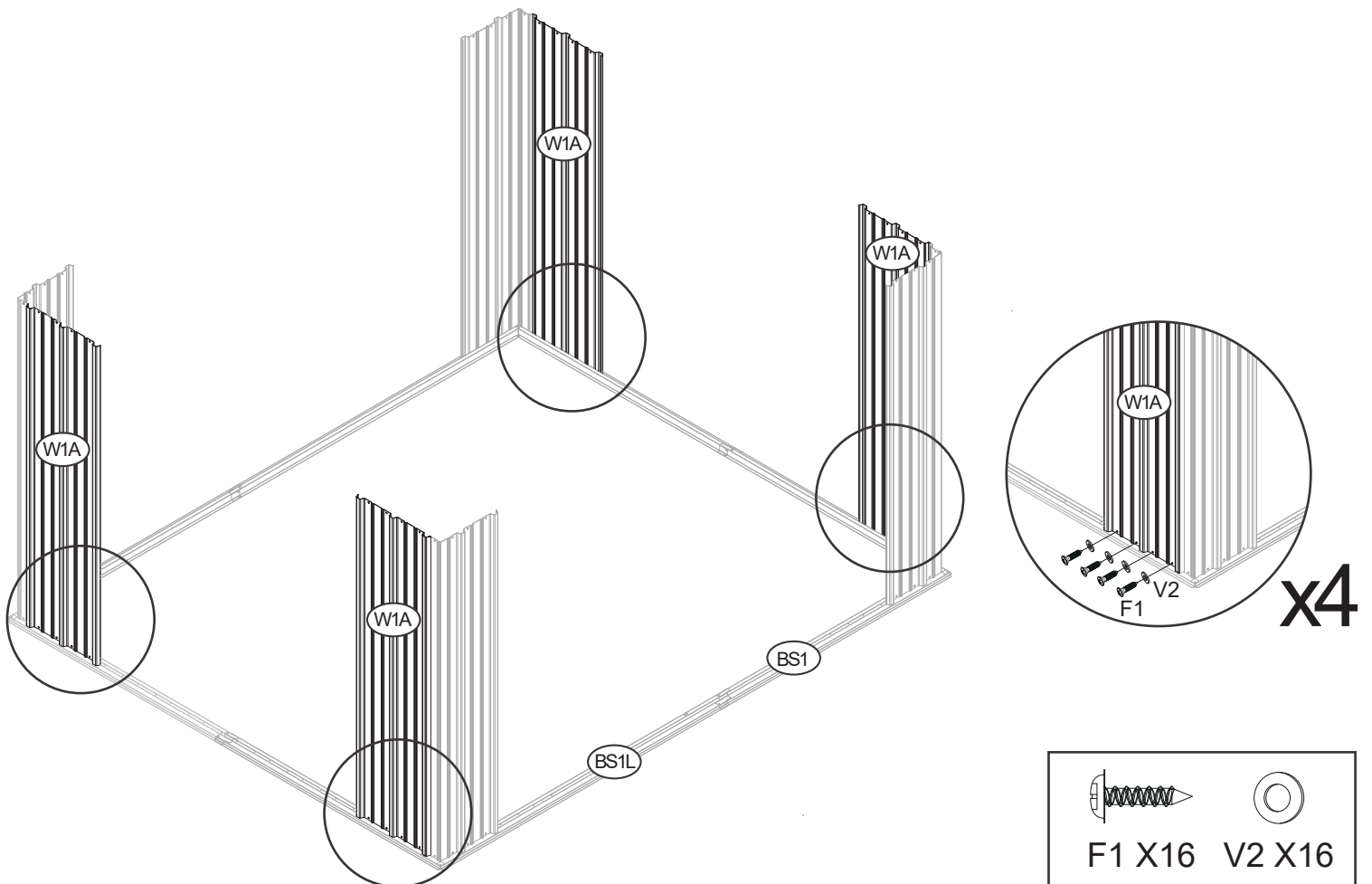
**Tips:** Align the gasket with the hole, and then use the electric drill to drill the V2 into the hole.



# STEP 6

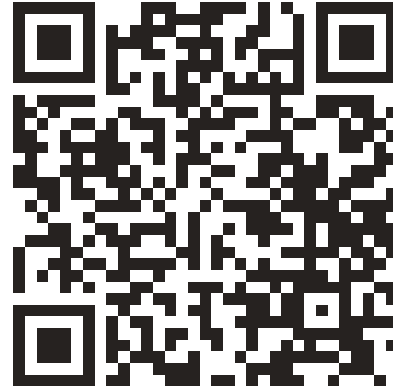
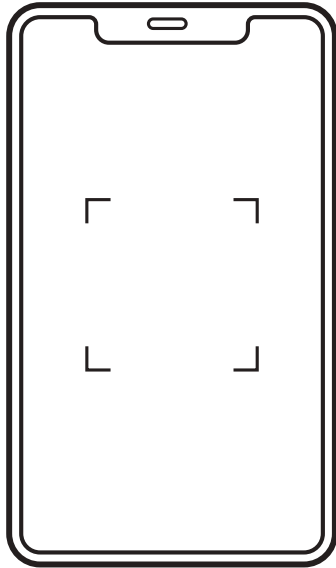


# STEP 7



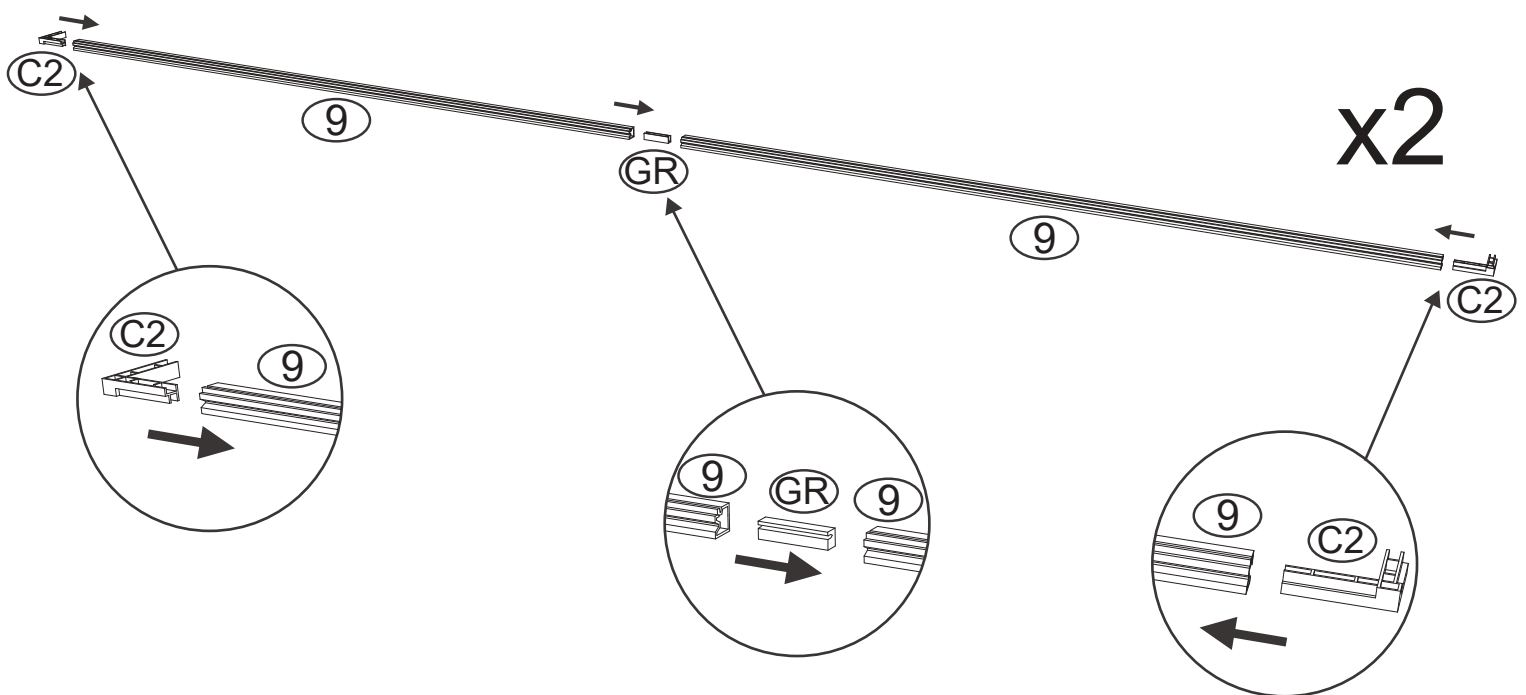
# ATTENTION

For this step only, To ensure a better understanding and installation experience, please **Scan The QR Code** next to it to watch a video tutorial that will assist you in completing the installation.

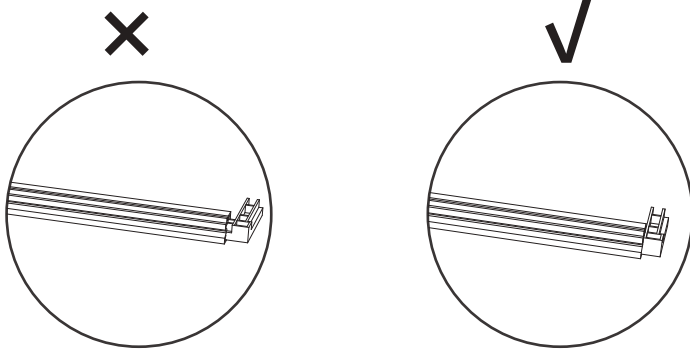


<https://www.patiowell.com/pages/video-t-ps22-0096-8?step2>

## STEP 8

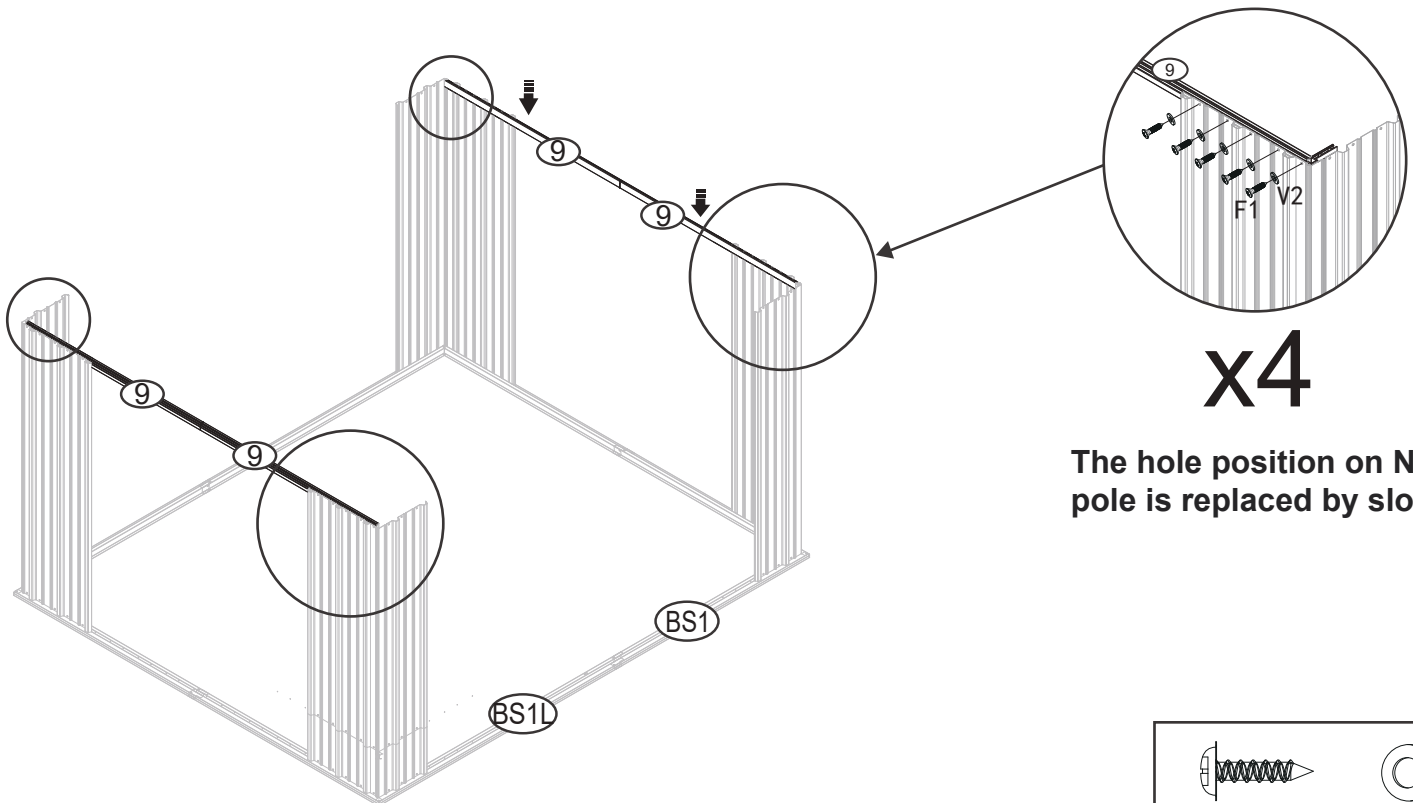


# STEP 9



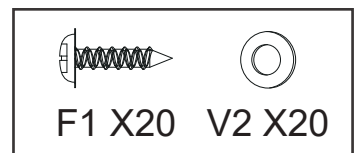
**Note:**  
Connector must fit.

# STEP 10

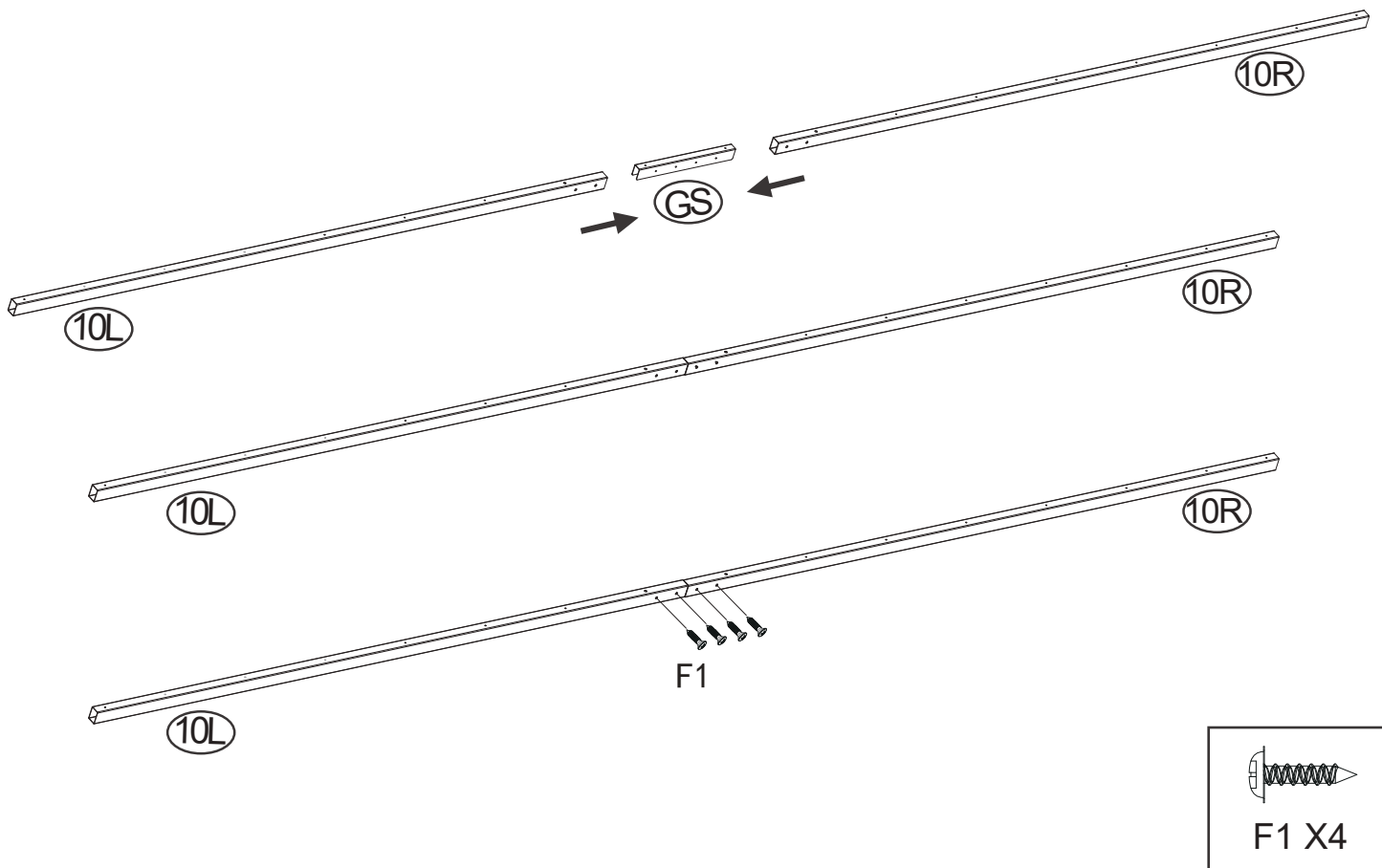


**x4**

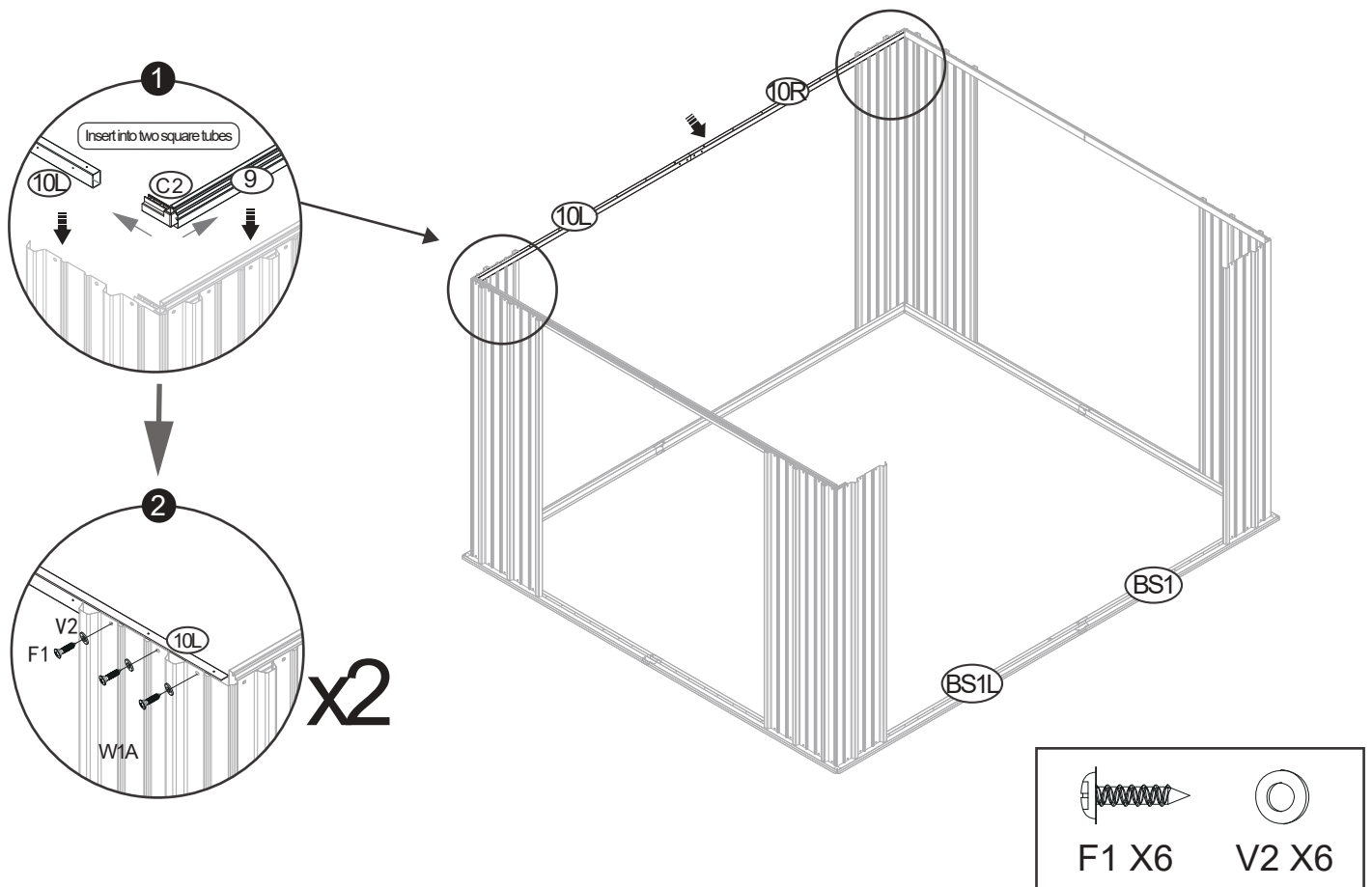
The hole position on No. 9 pole is replaced by slot.



# STEP 11

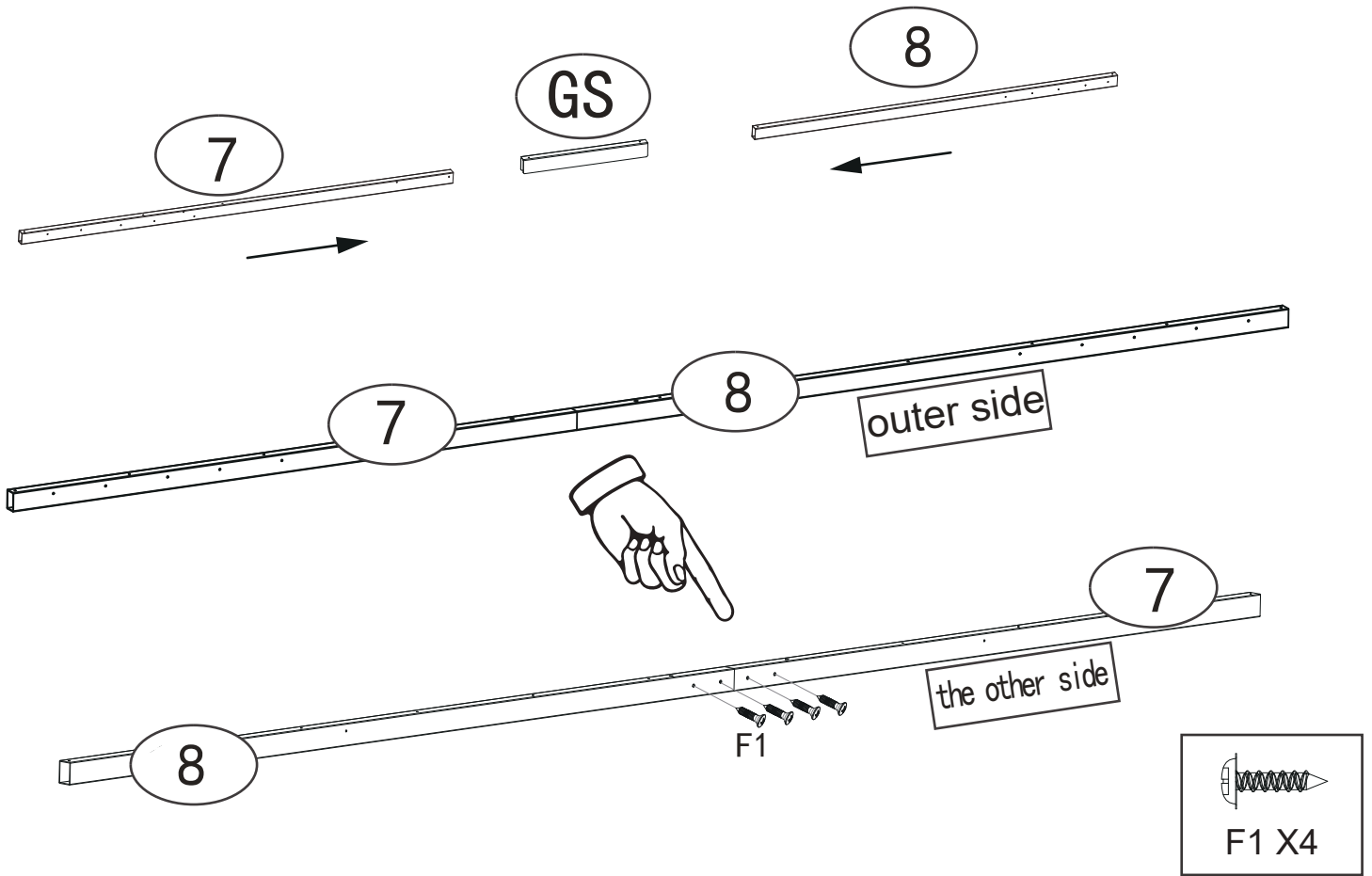


# STEP 12

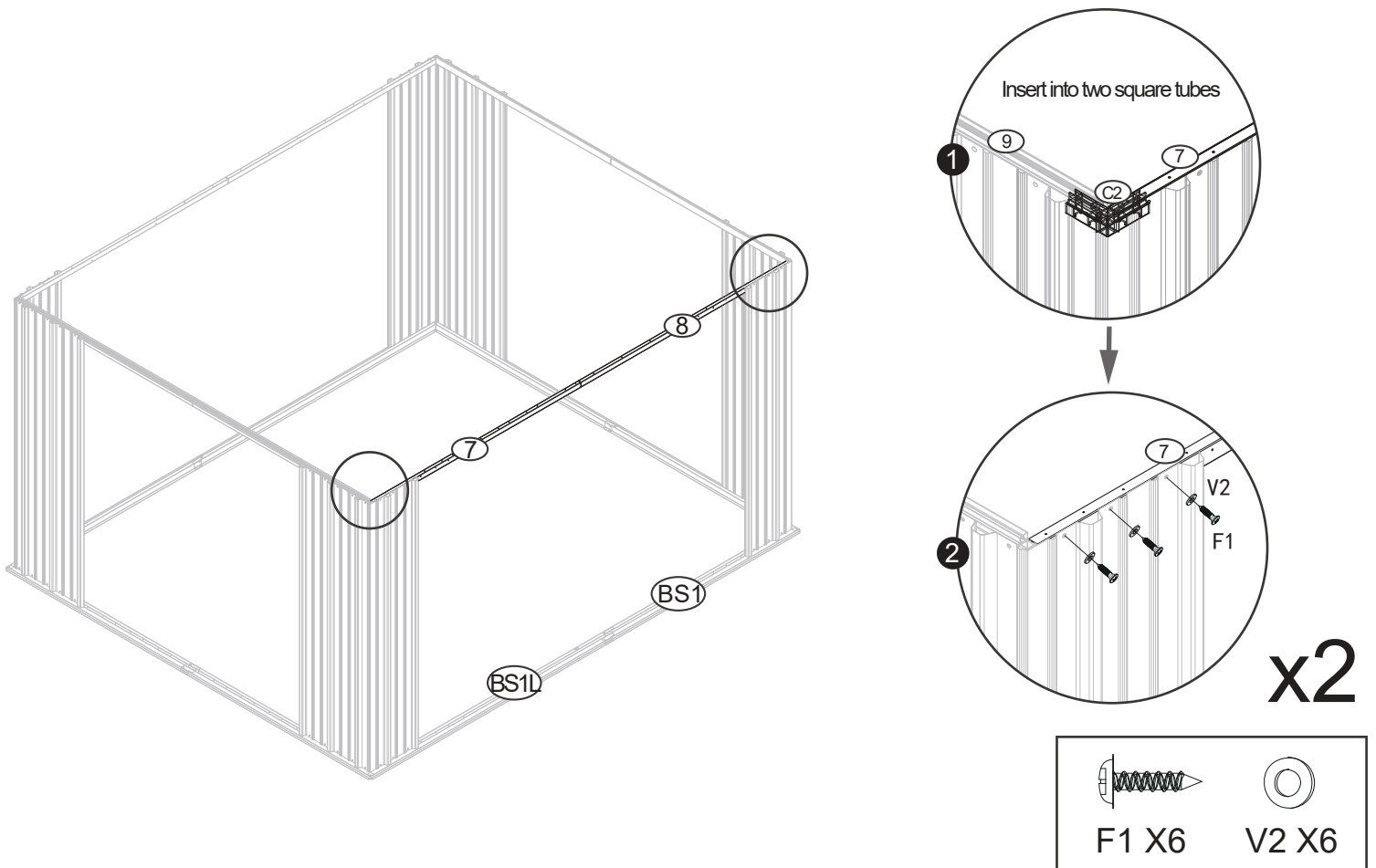




# STEP 13

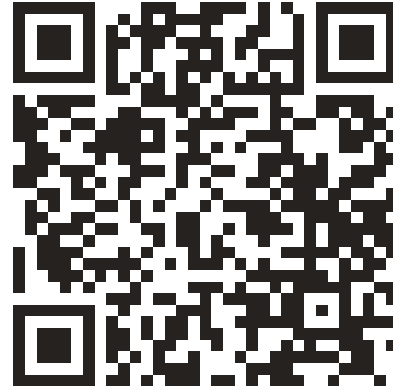
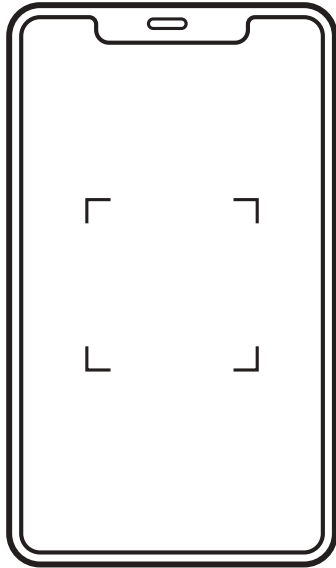


# STEP 14



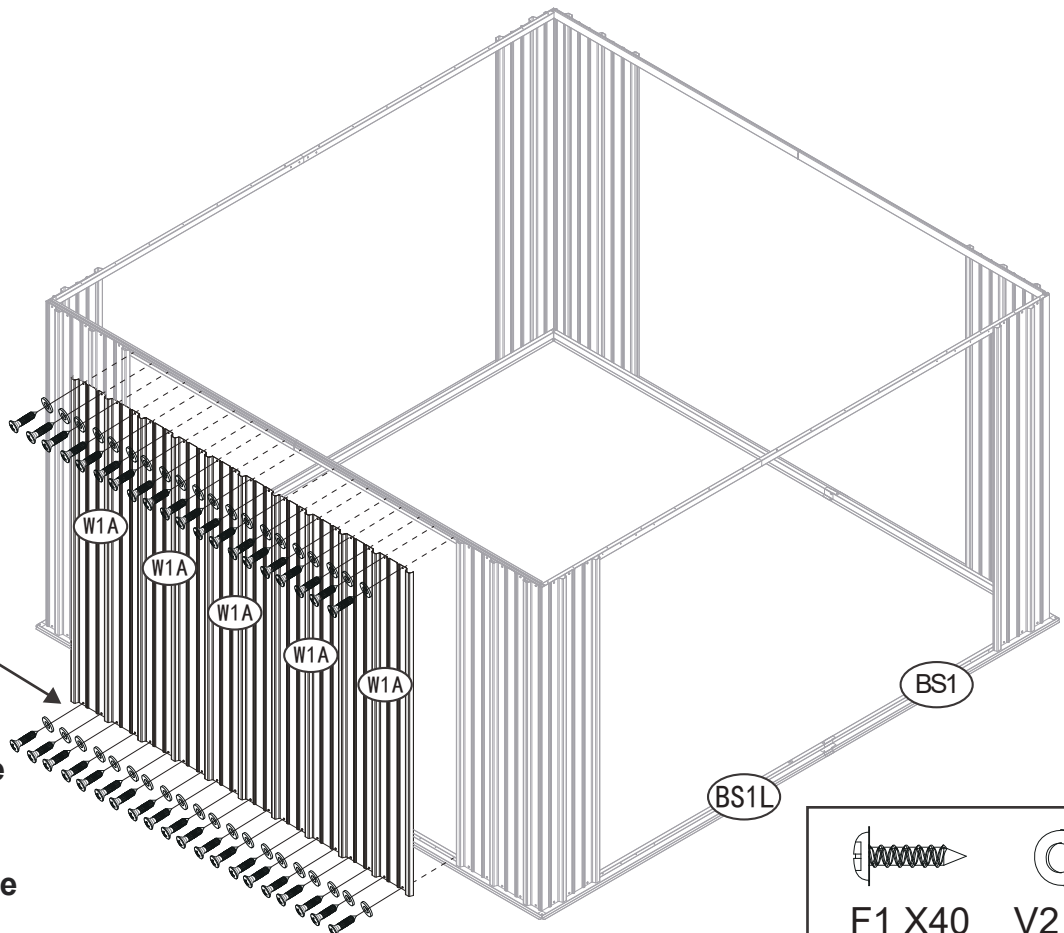
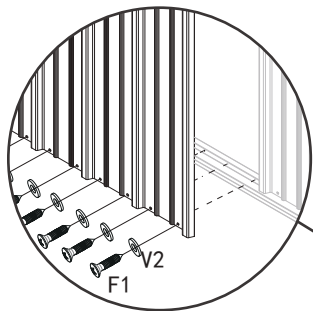
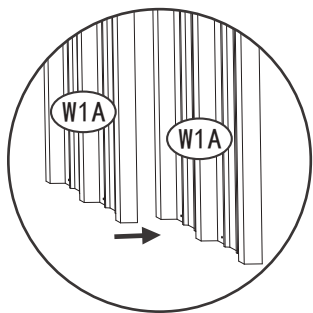
# ATTENTION

For this step only, To ensure a better understanding and installation experience, please **Scan The QR Code** next to it to watch a video tutorial that will assist you in completing the installation.



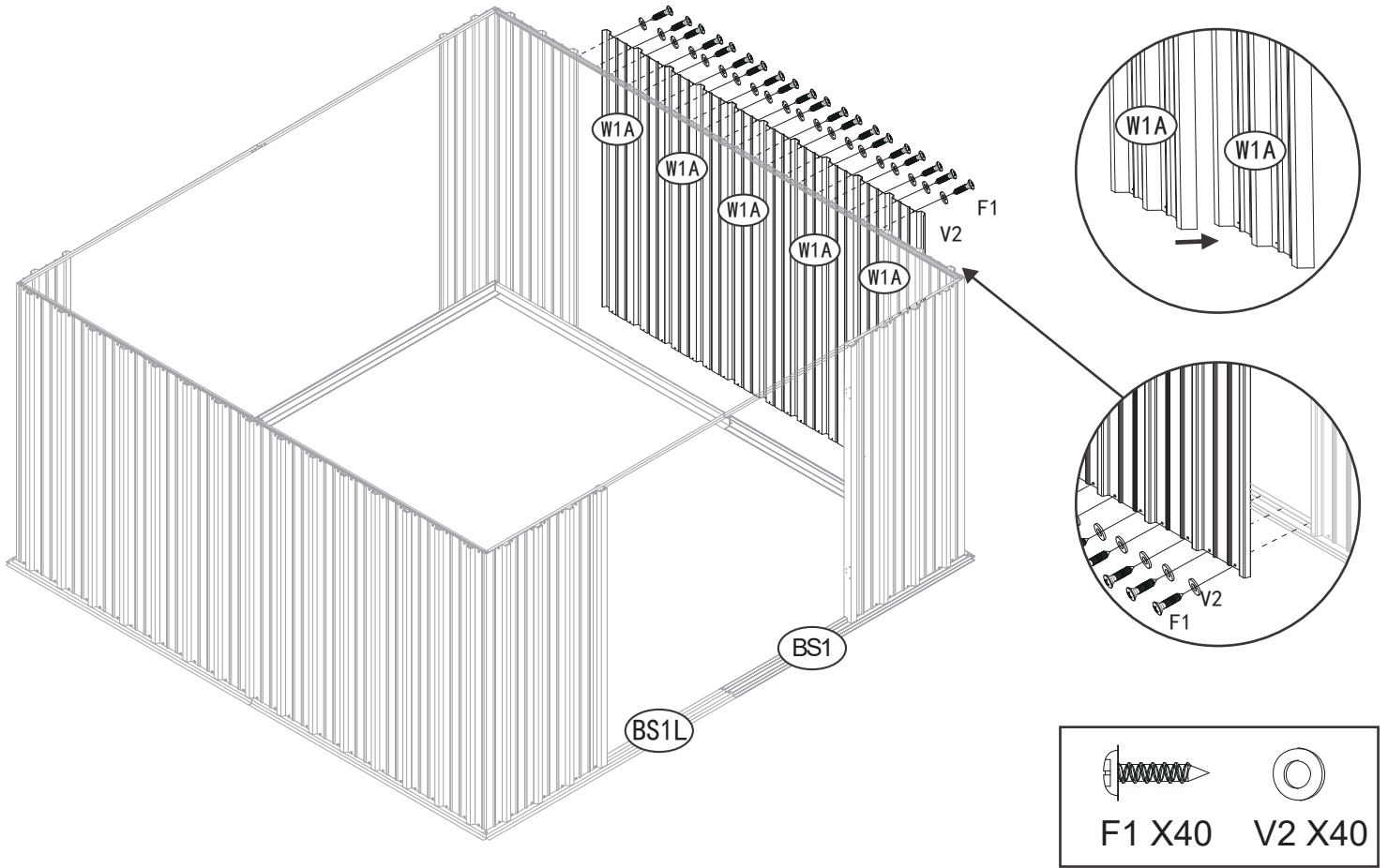
<https://www.patiowell.com/pages/video-t-ps22-0096-8?step3>

## STEP 15

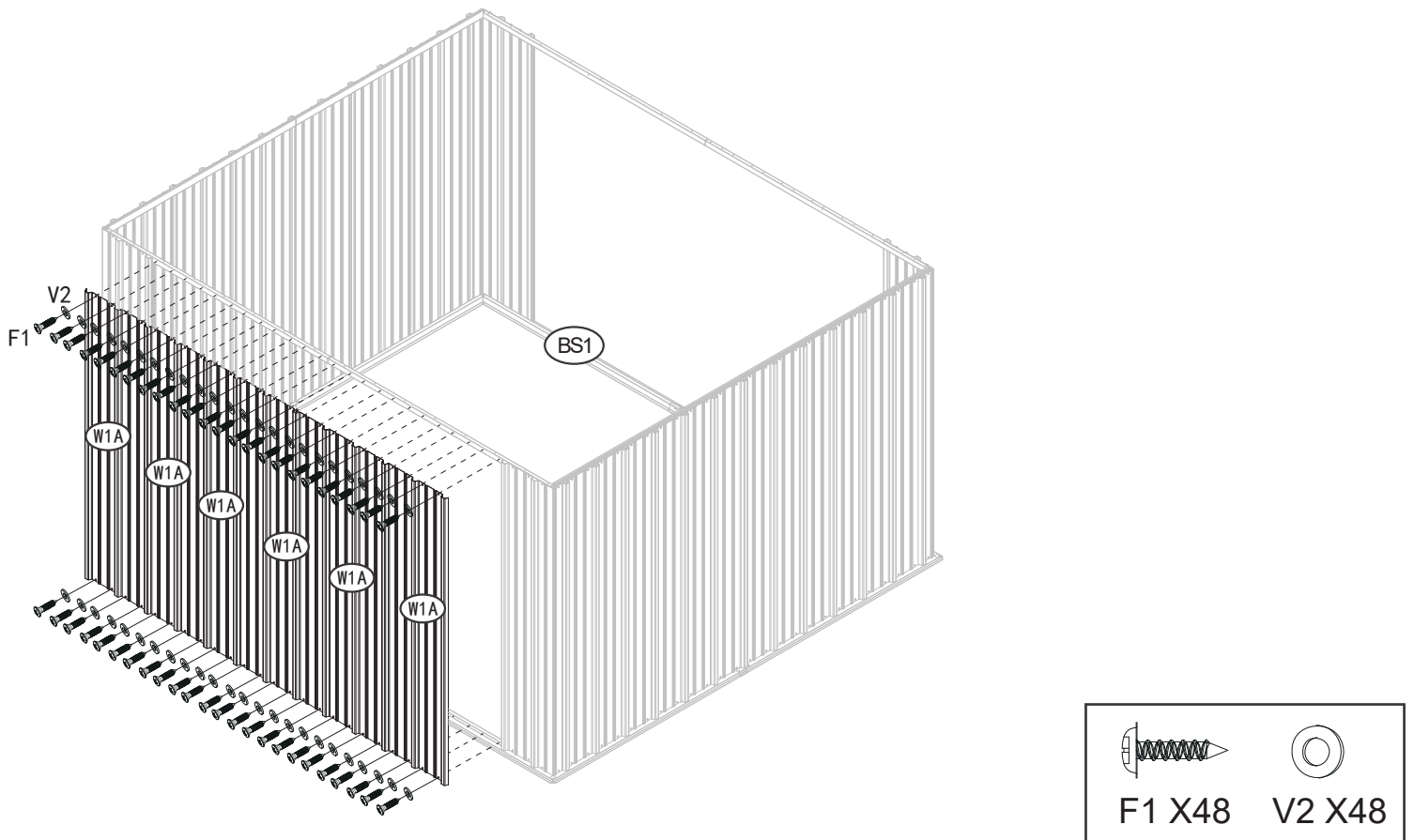


In order to facilitate the positioning, it is recommended that the screws at the bottom be driven first.

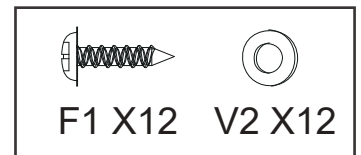
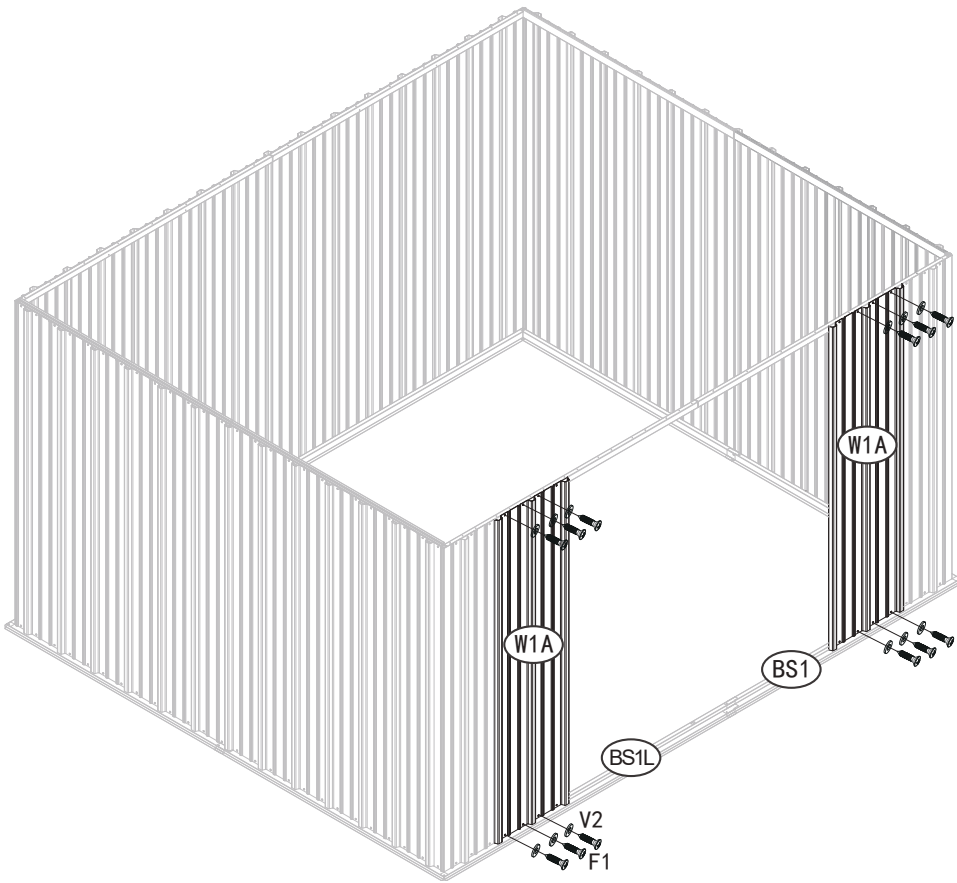
# STEP 16



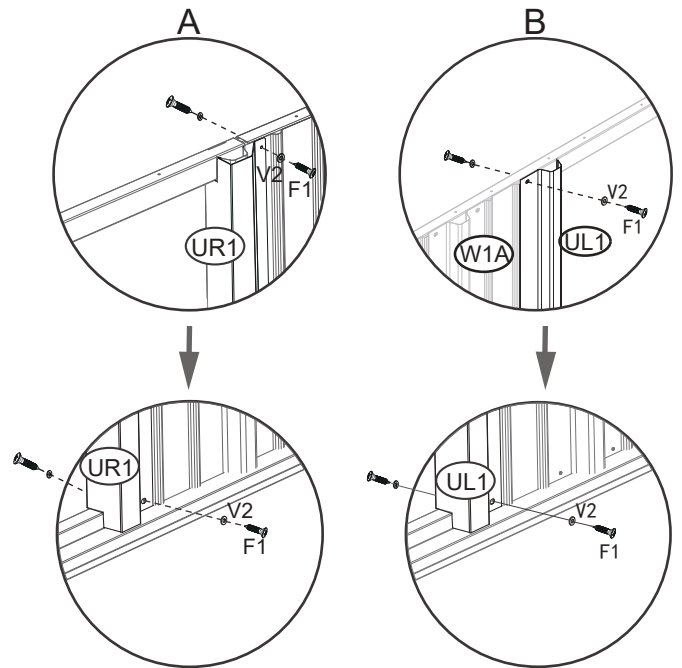
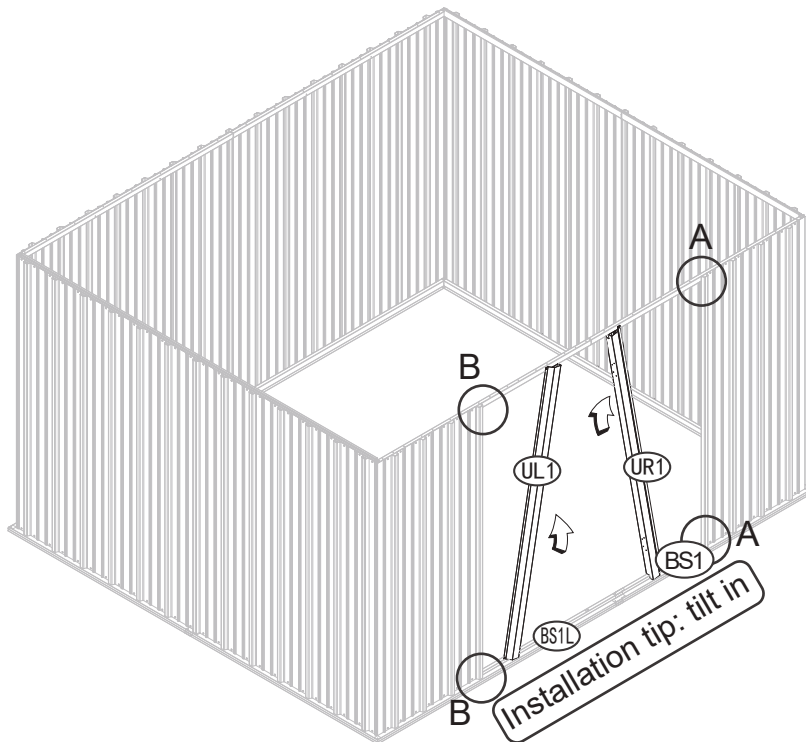
# STEP 17



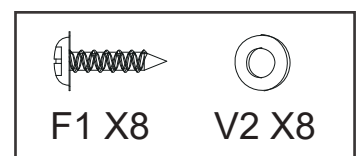
# STEP 18



# STEP 19

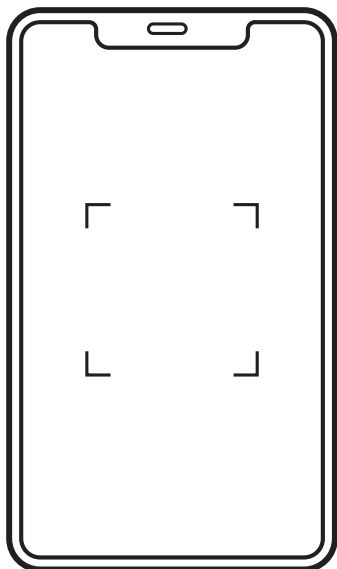


**Tips:** Insert UL1 and UR1 between the top beam and bottom frame respectively, and then push them to the corresponding position.



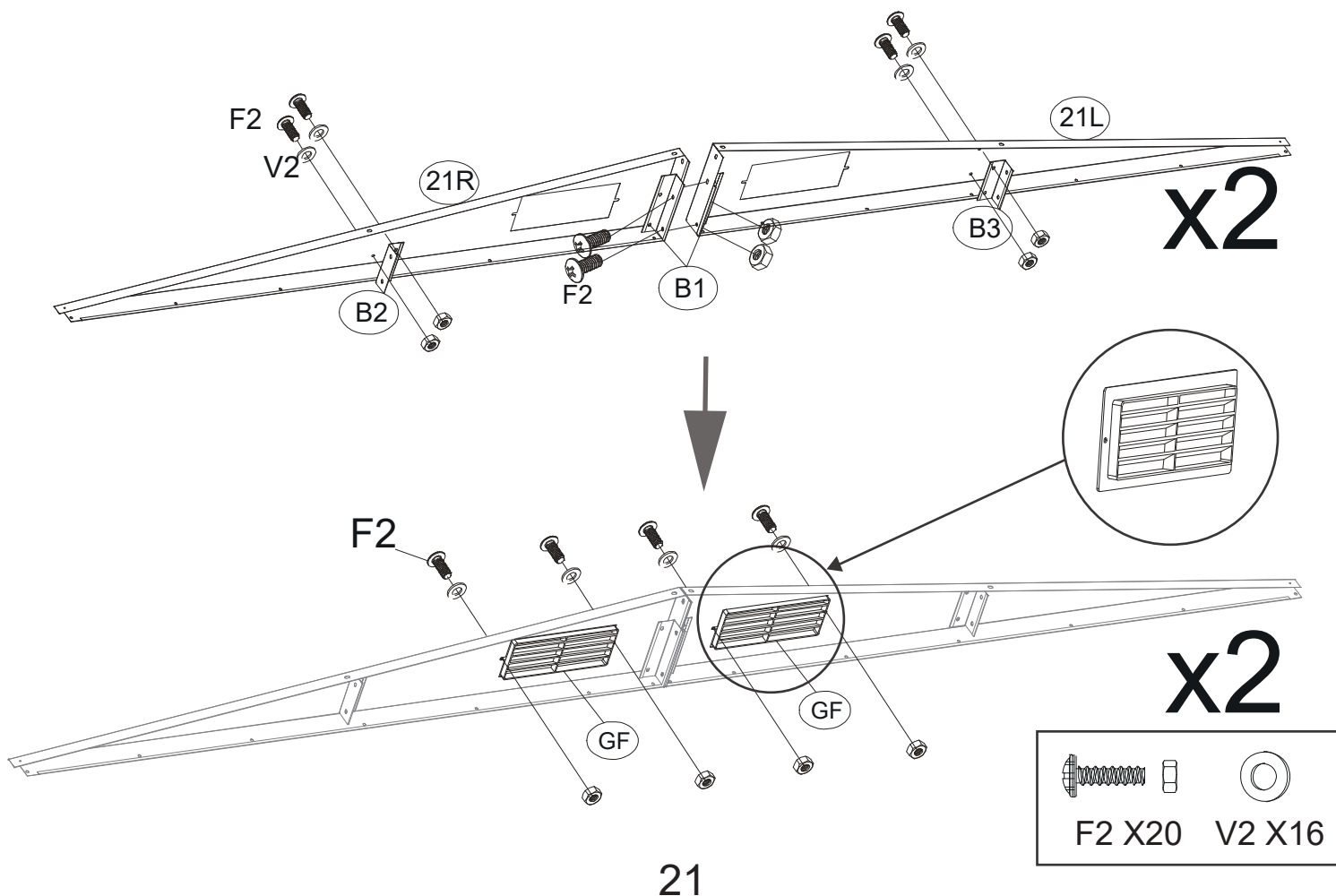
# ATTENTION

For this step only, To ensure a better understanding and installation experience, please **Scan The QR Code** next to it to watch a video tutorial that will assist you in completing the installation.

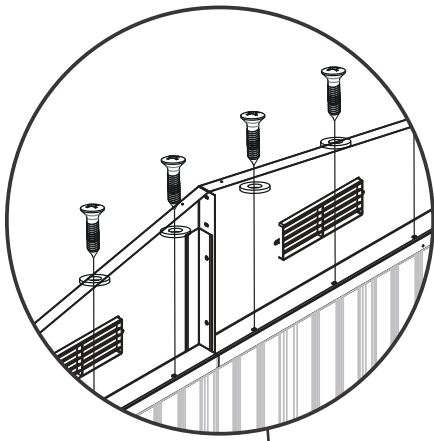


<https://www.patiowell.com/pages/video-t-ps22-0096-8?step4>

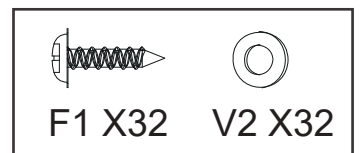
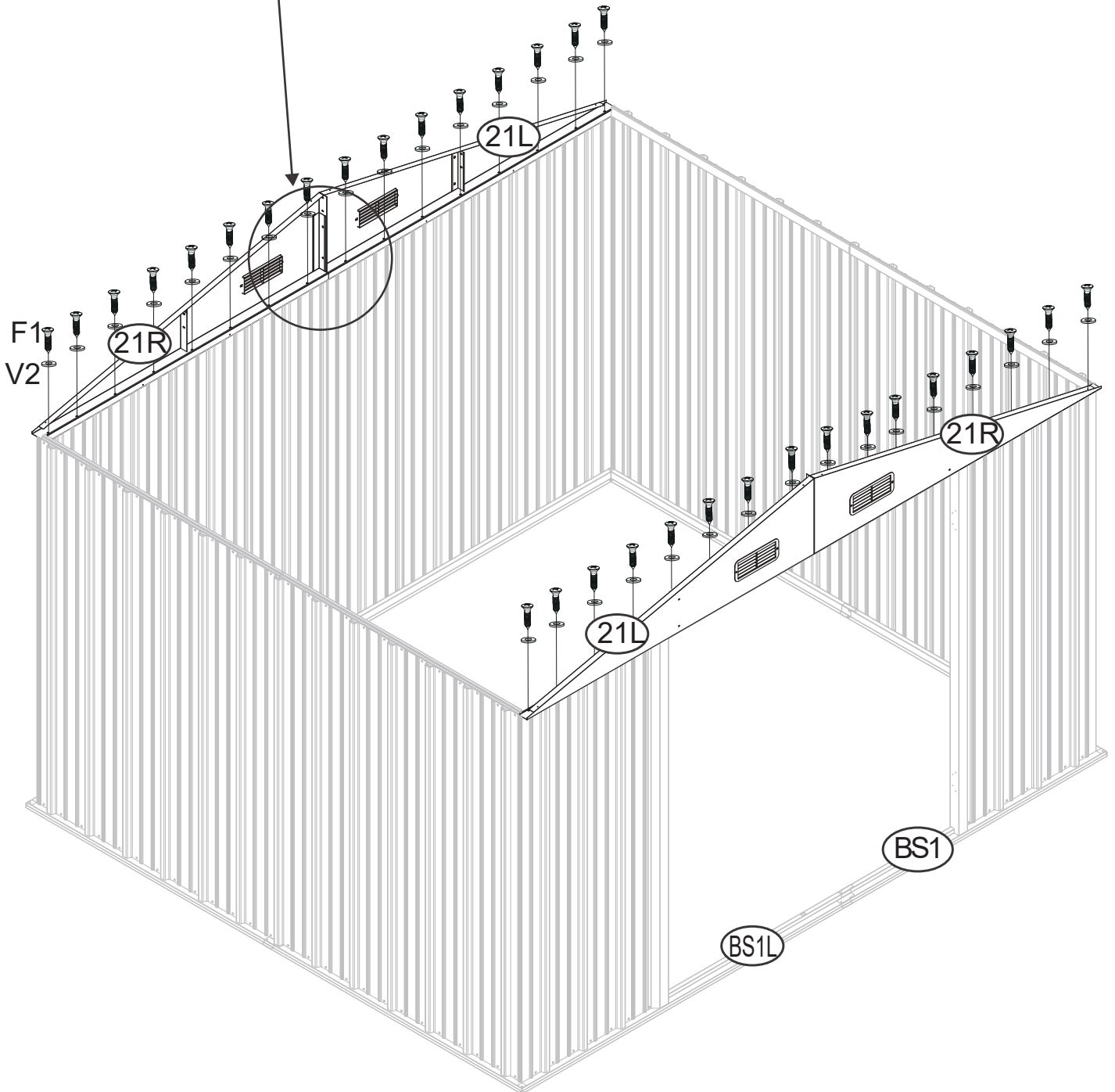
## STEP 20



# STEP 21

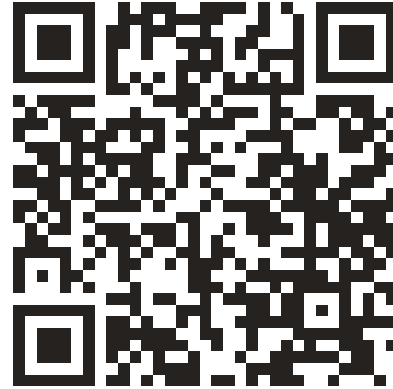
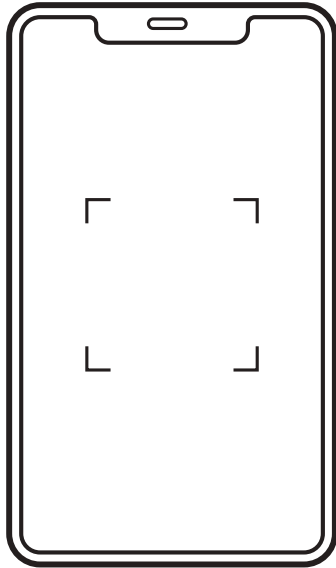


Four screws in the middle can be installed first to facilitate fixation.



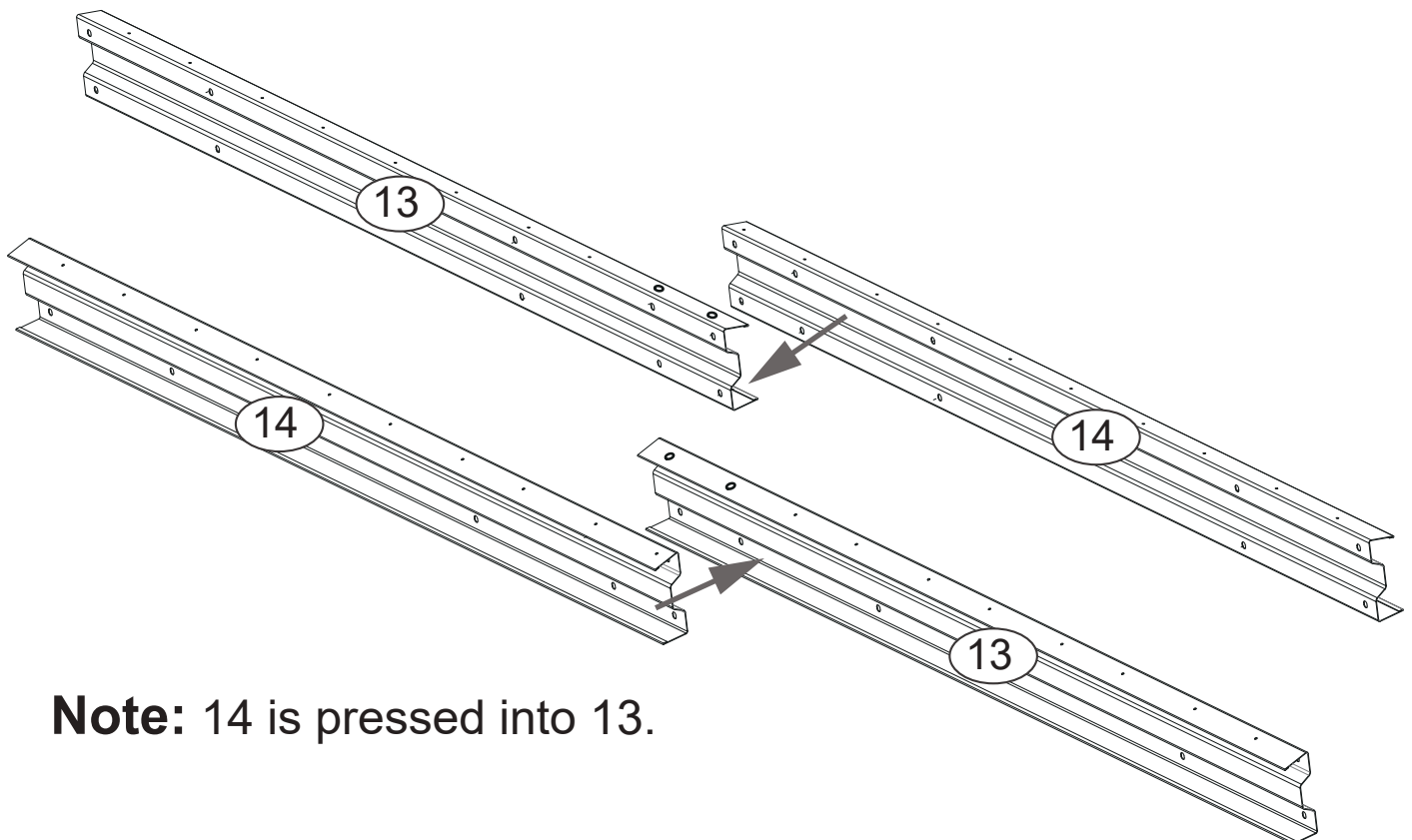
# ATTENTION

For this step only, To ensure a better understanding and installation experience, please **Scan The QR Code** next to it to watch a video tutorial that will assist you in completing the installation.



<https://www.patiowell.com/pages/video-t-ps22-0096-8?step5>

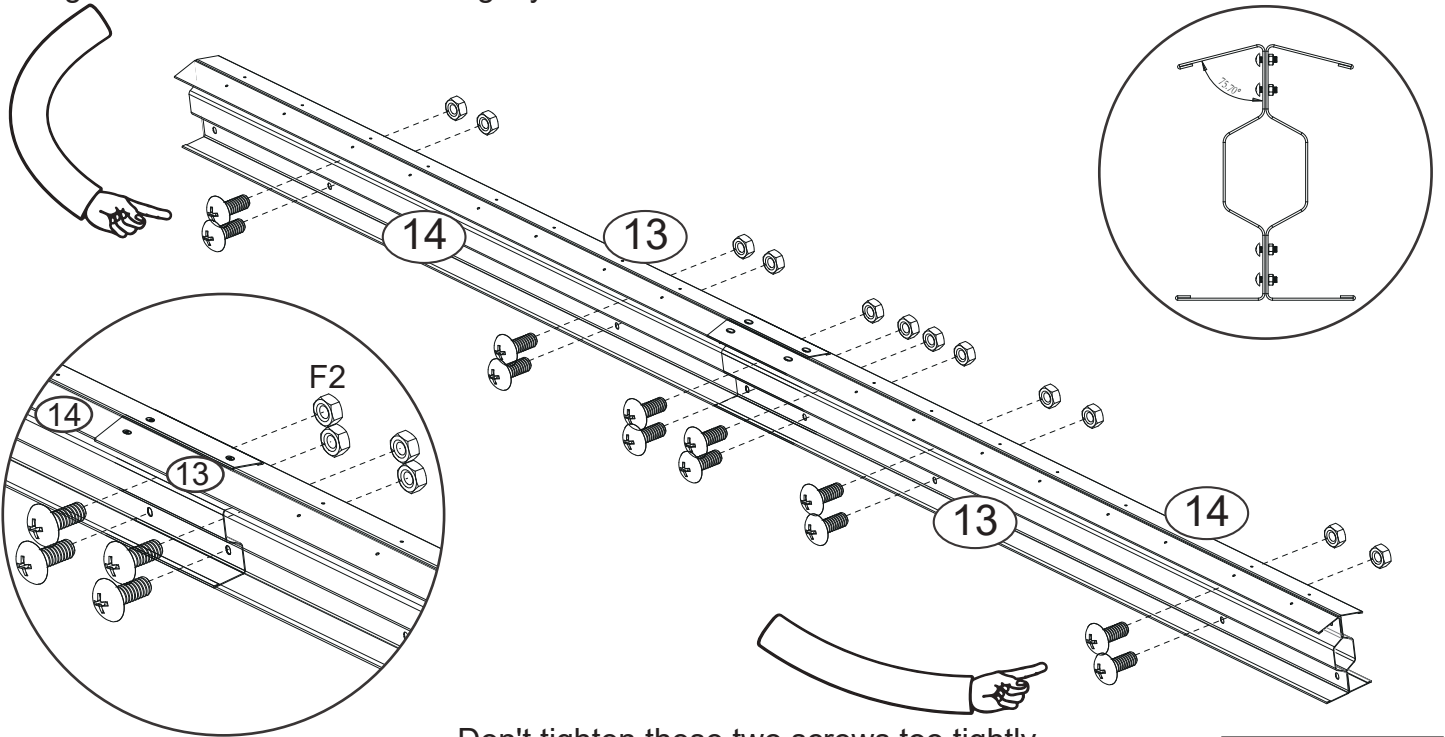
## STEP 22



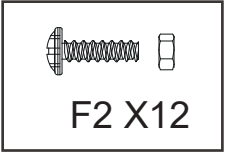
**Note:** 14 is pressed into 13.

# STEP 23

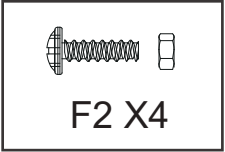
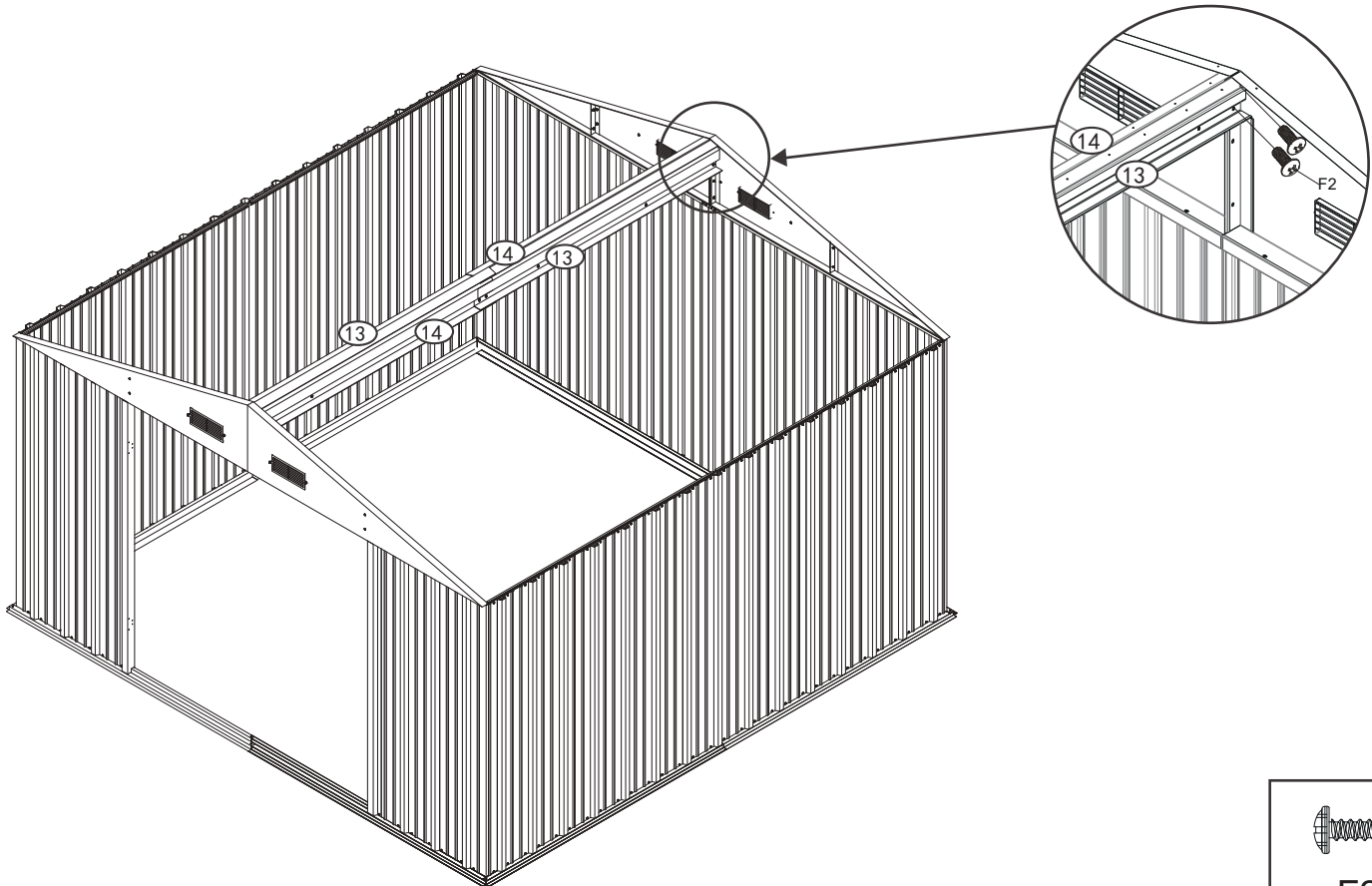
Don't tighten these two screws too tightly.



Don't tighten these two screws too tightly.

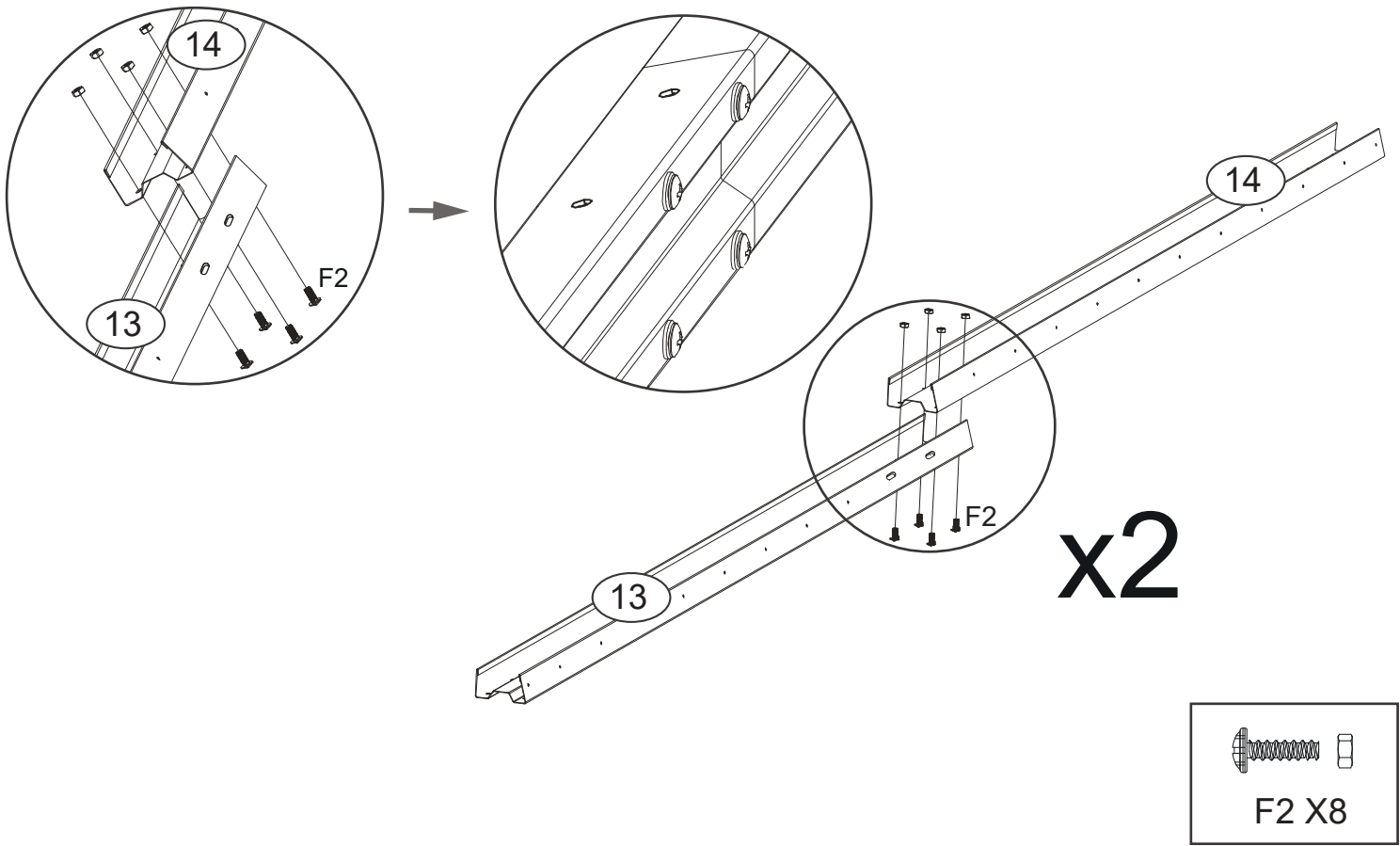


# STEP 24

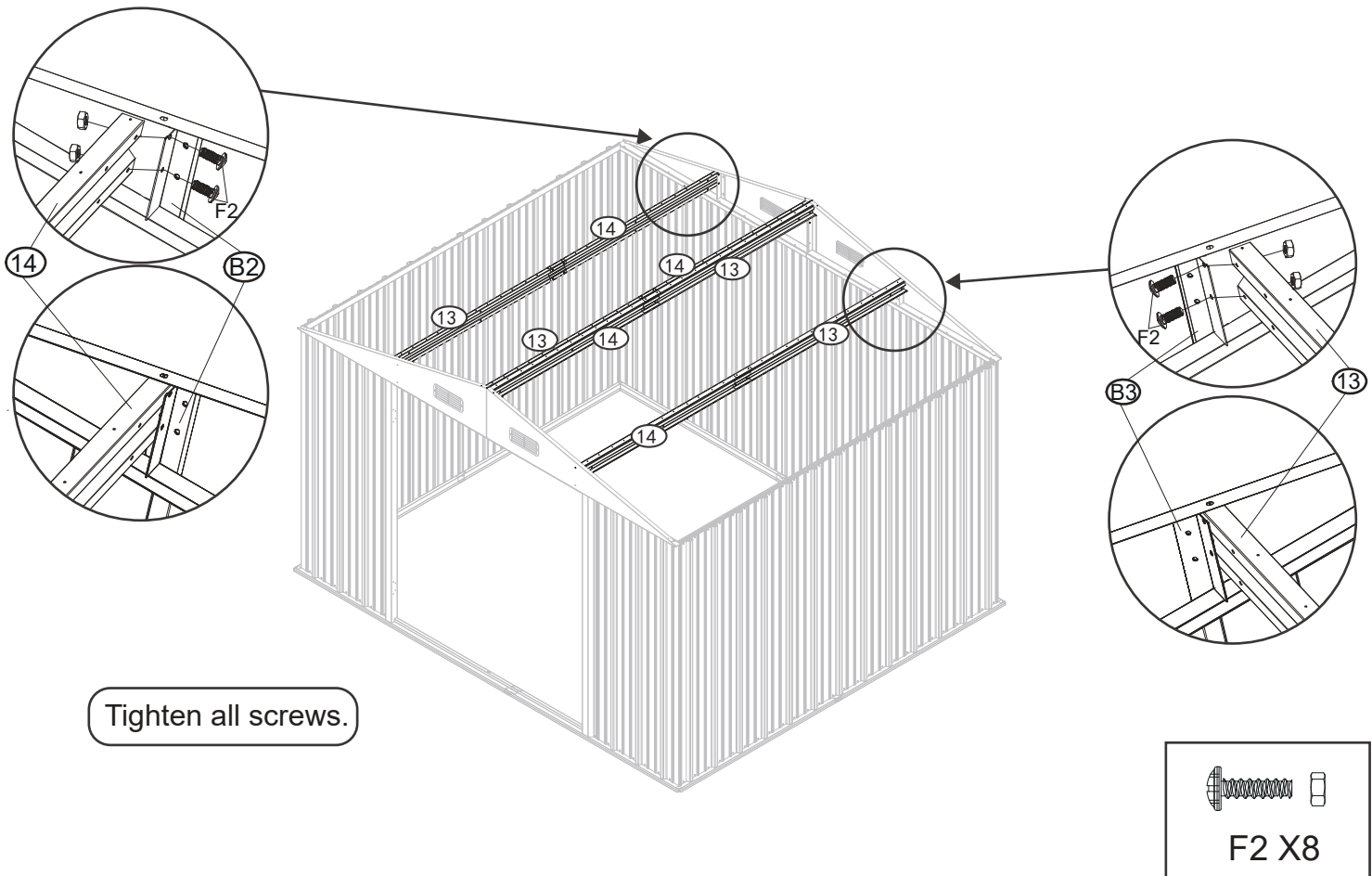




# STEP 25

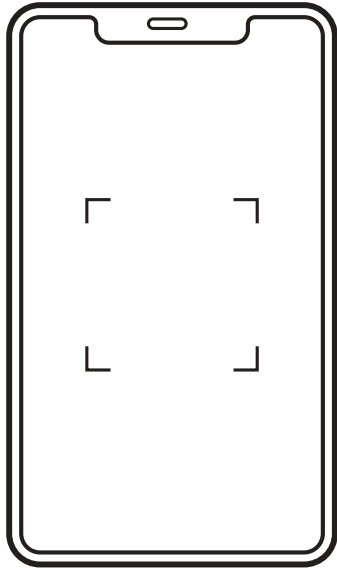


# STEP 26



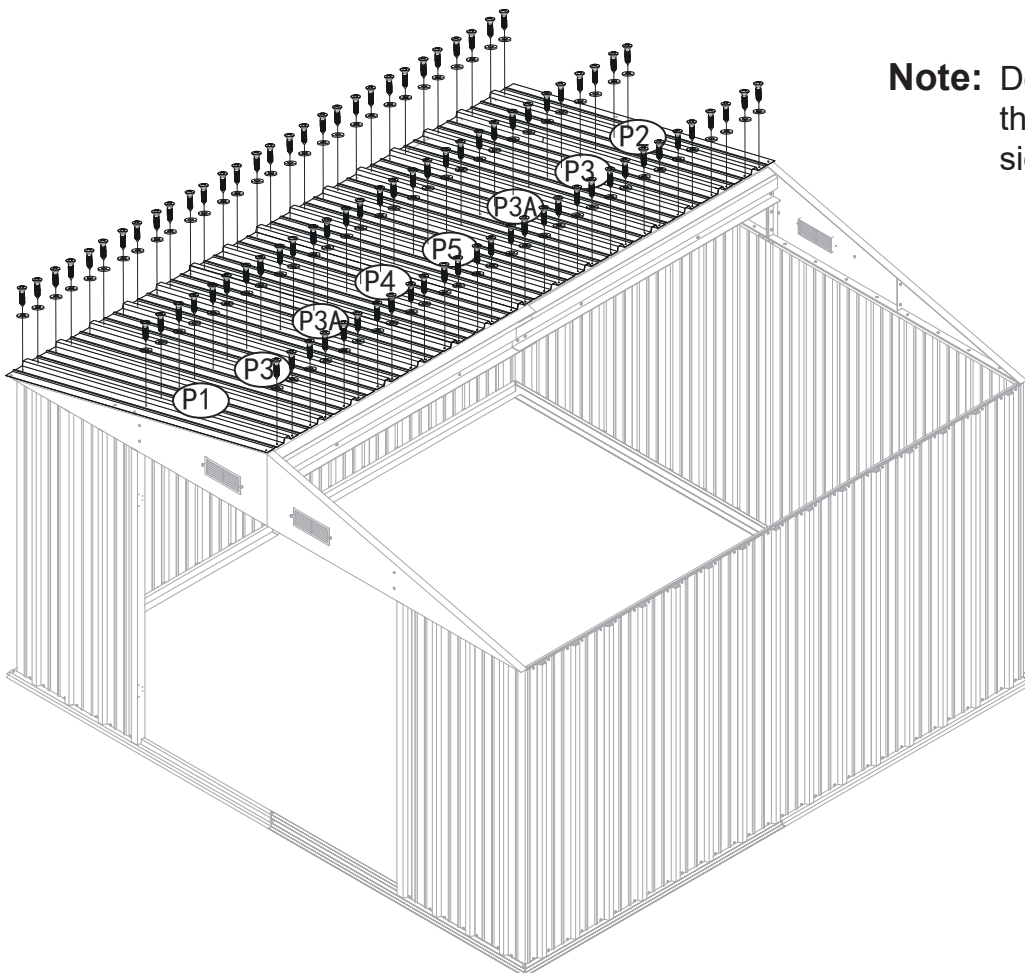
# ATTENTION

For this step only, To ensure a better understanding and installation experience, please **Scan The QR Code** next to it to watch a video tutorial that will assist you in completing the installation.

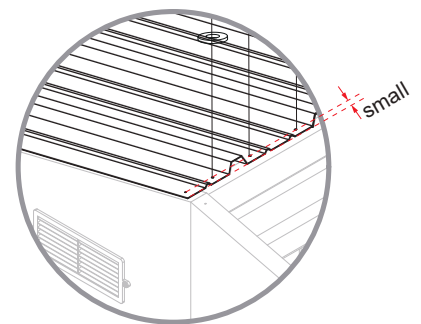


<https://www.patiowell.com/pages/video-t-ps22-0096-8?step6>

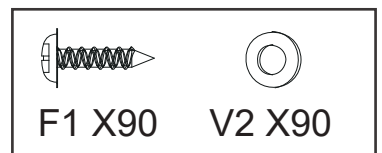
## STEP 27



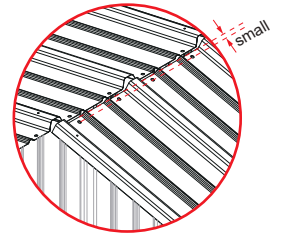
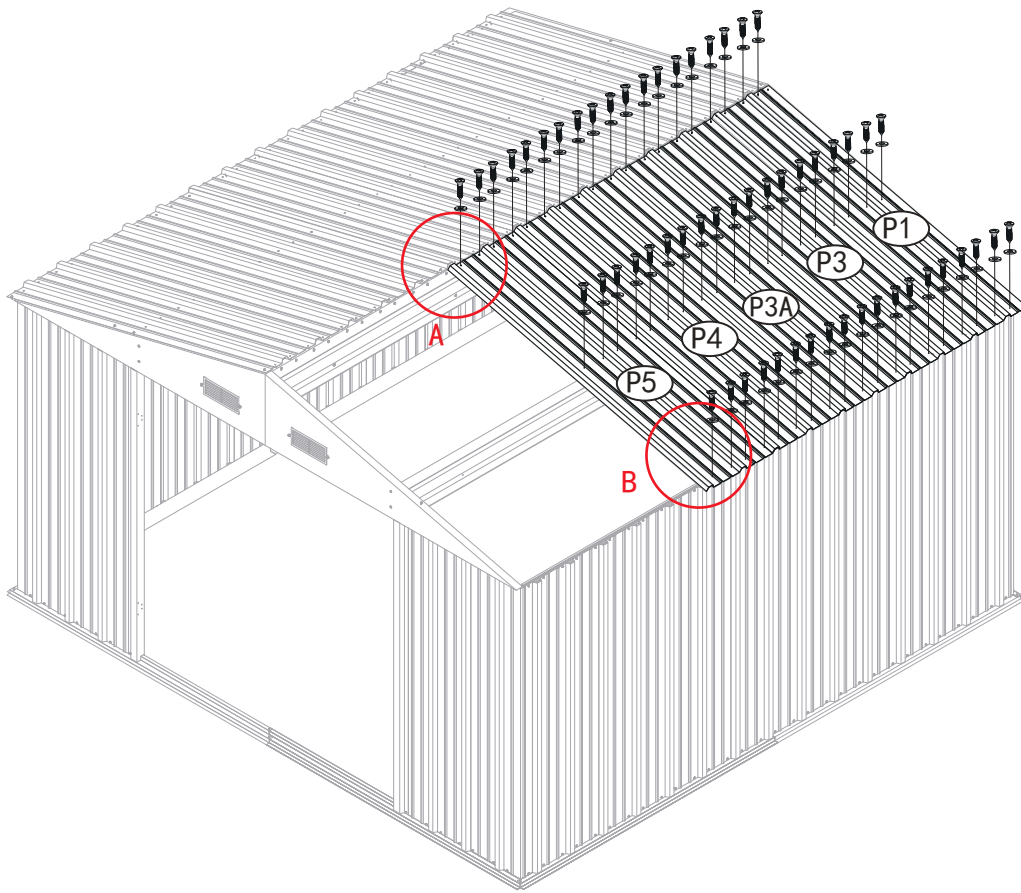
**Note:** Do not install F1 and V2 in the holes near the outer side of P1, P2.



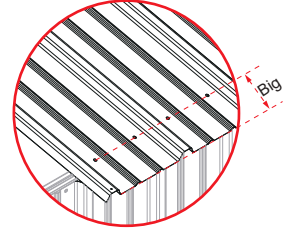
**Short distance from the edge at the top.**



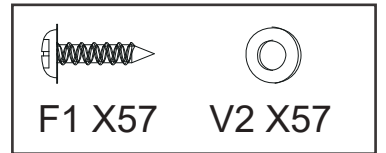
# STEP 28



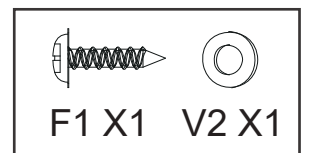
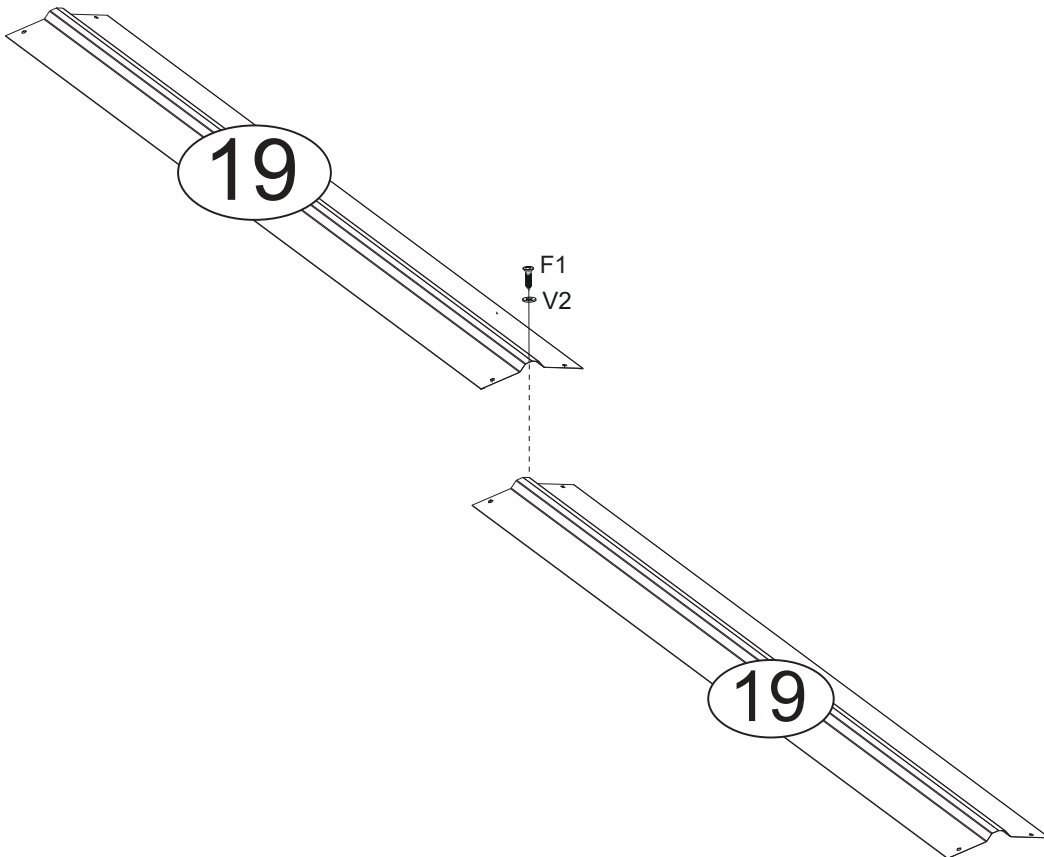
A



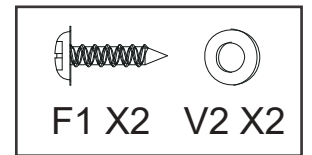
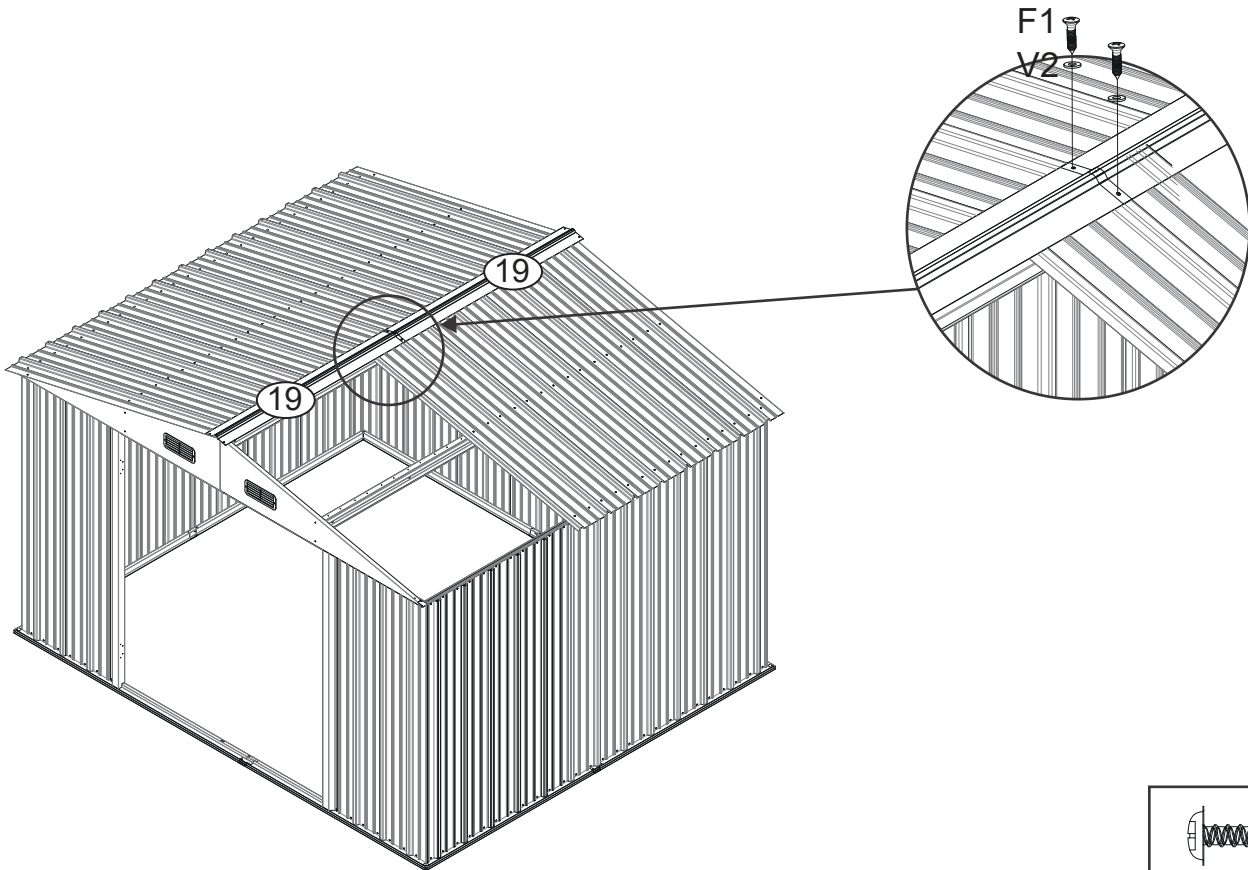
B



# STEP 29

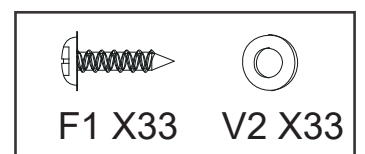
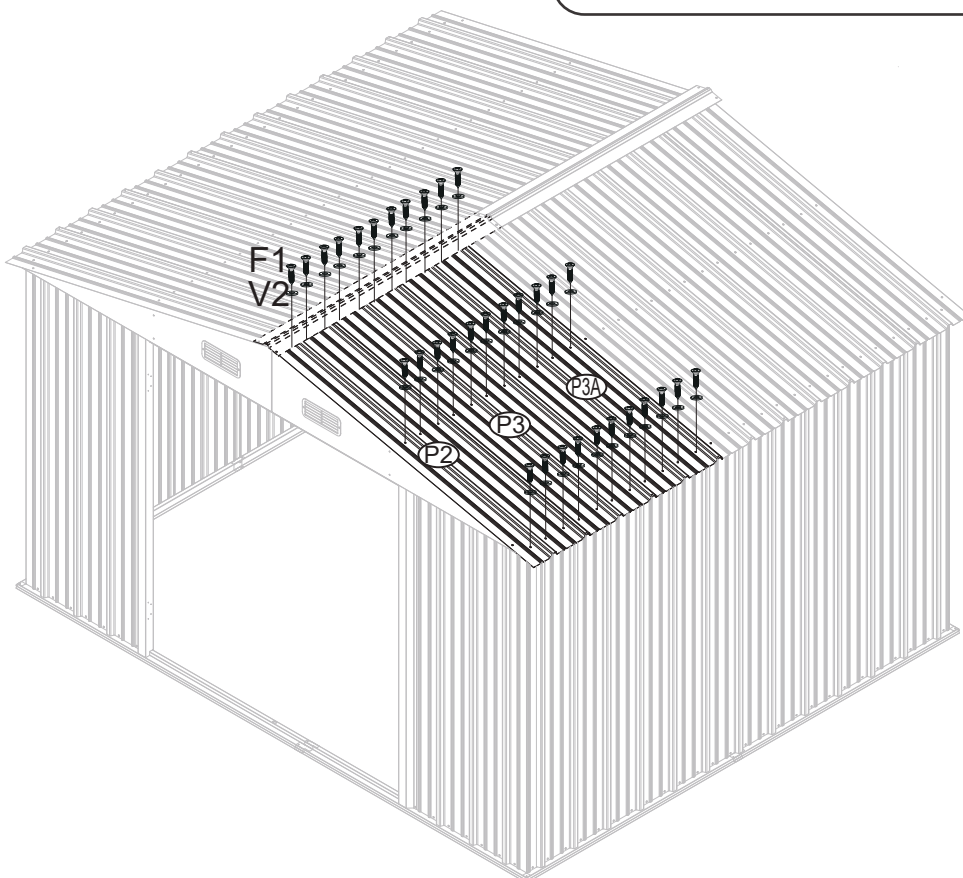


# STEP 30



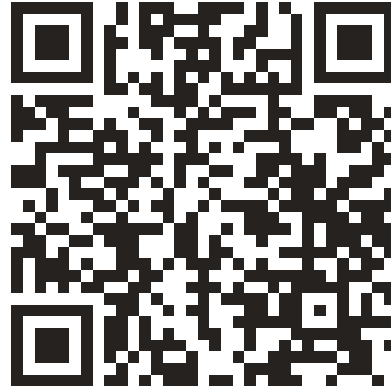
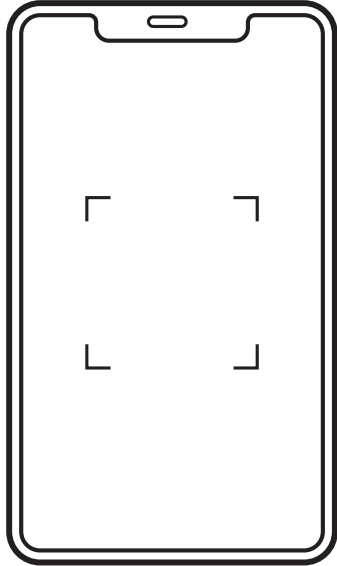
# STEP 31

**Installation tips:** You need to gently lift the 19 and then screw it.



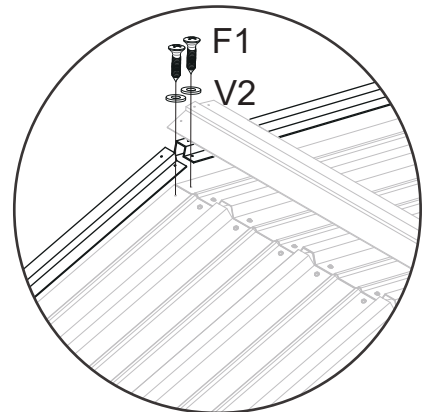
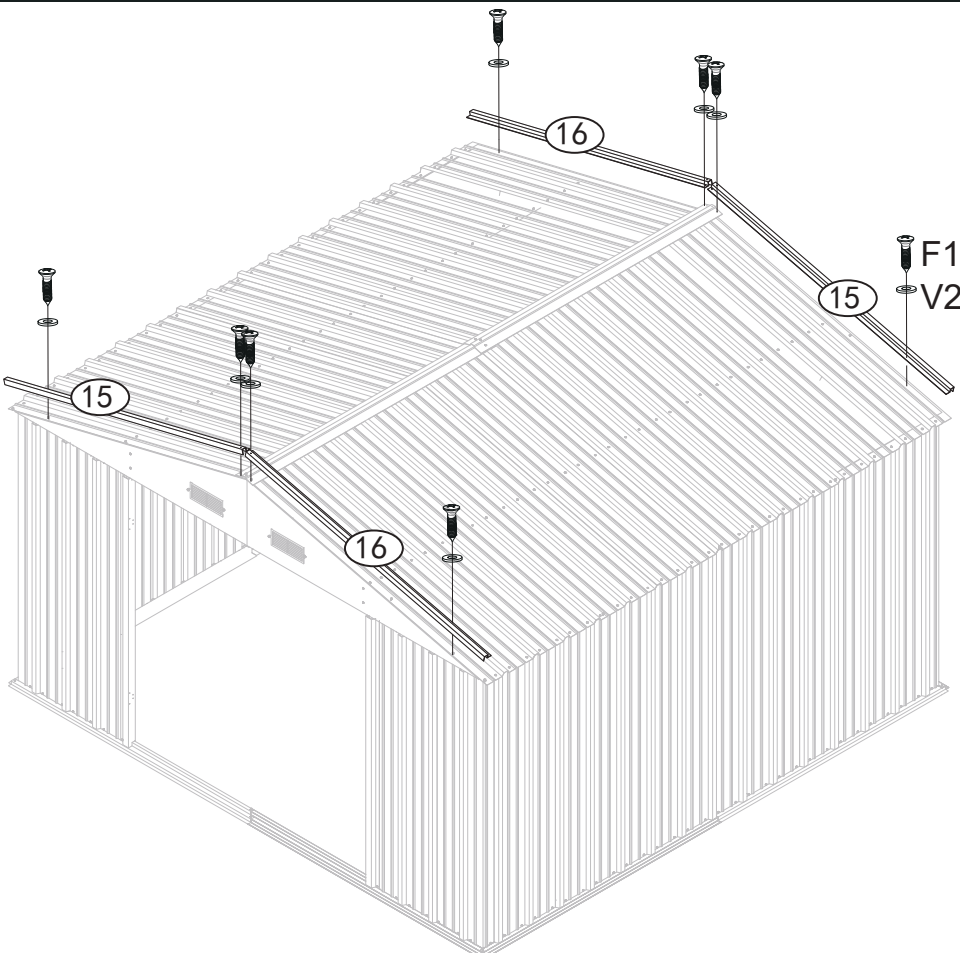
# ATTENTION

For this step only, To ensure a better understanding and installation experience, please **Scan The QR Code** next to it to watch a video tutorial that will assist you in completing the installation.

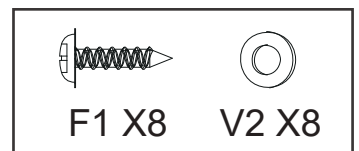


<https://www.patiowell.com/pages/video-t-ps22-0096-8?step7>

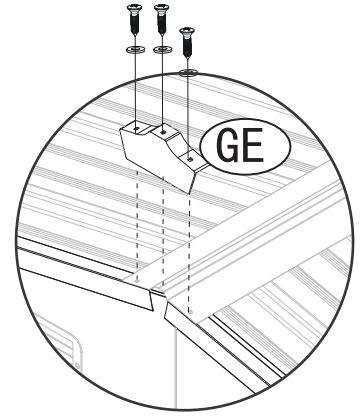
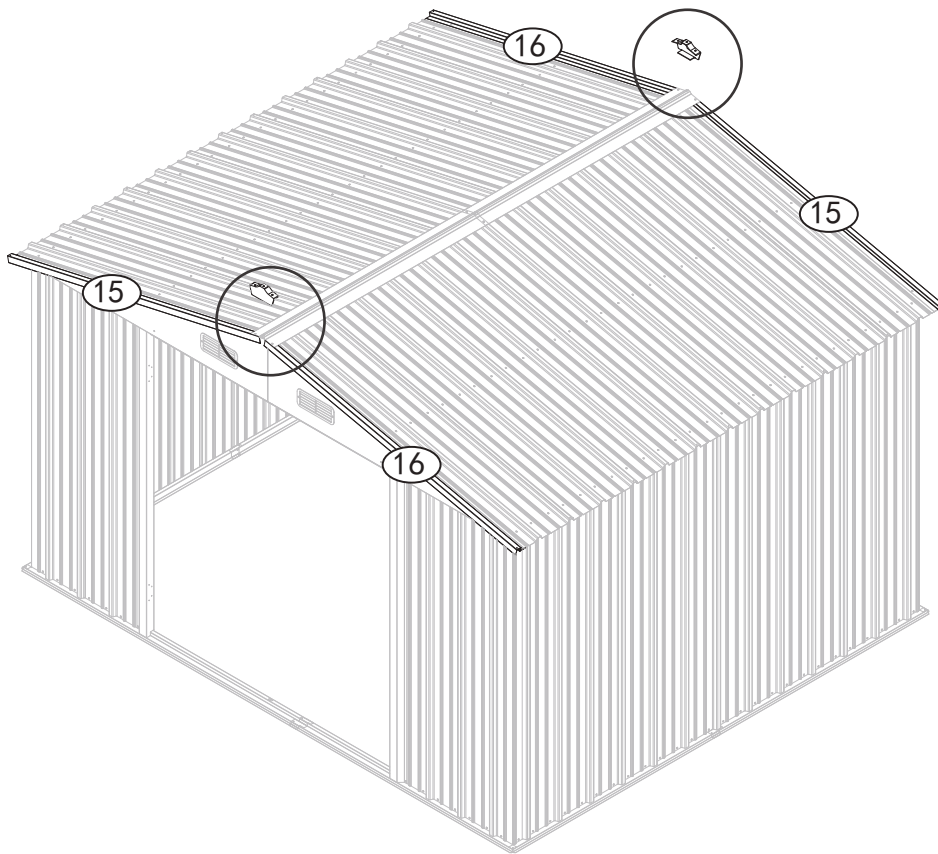
## STEP 32



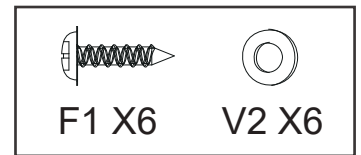
**Note:** Do not install F1 and V2 in the holes near the outer side of P1,P2.



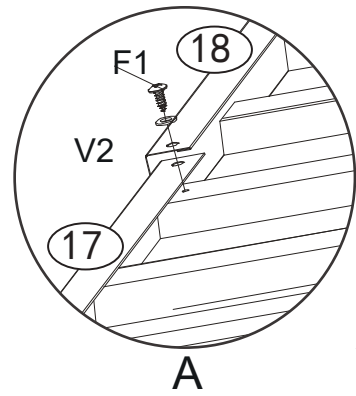
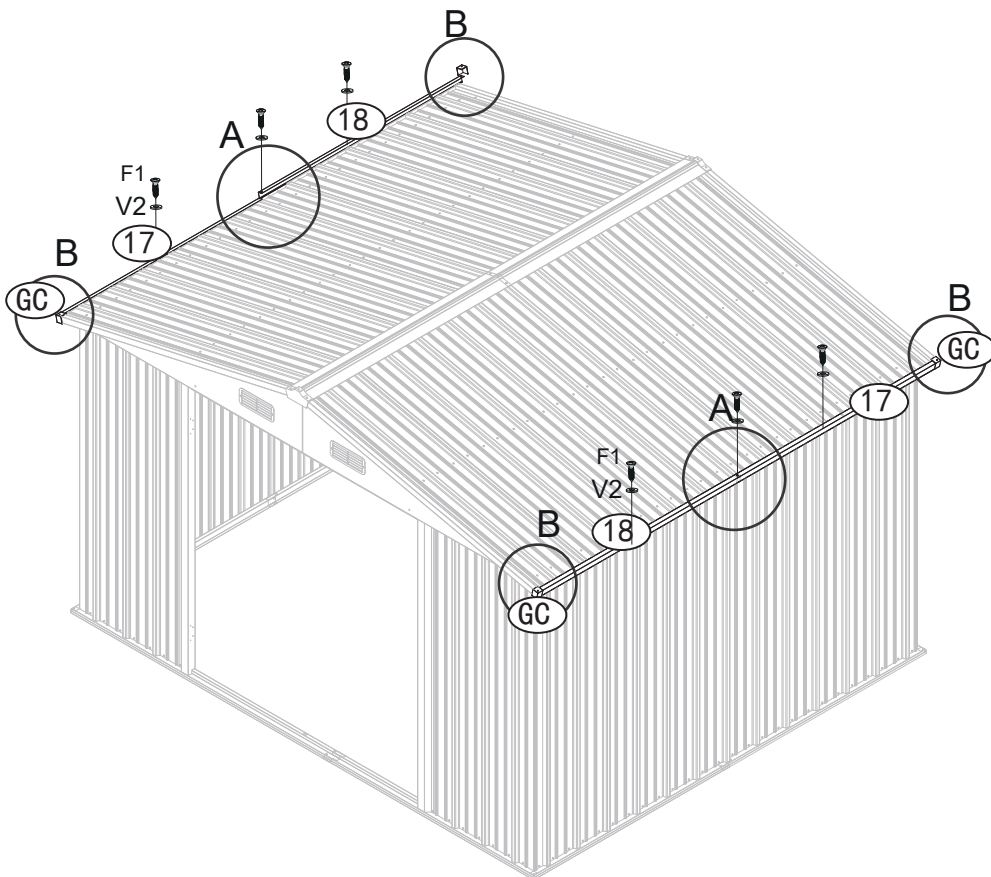
# STEP 33



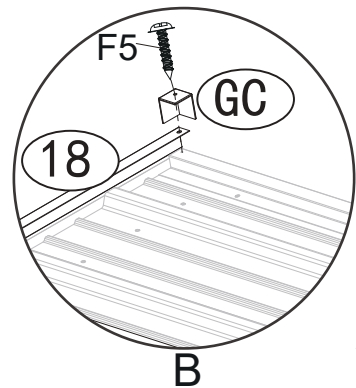
x2



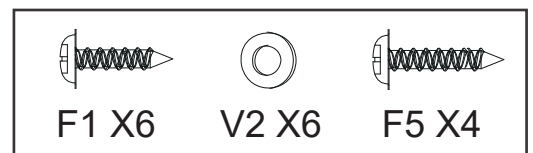
# STEP 34



x2

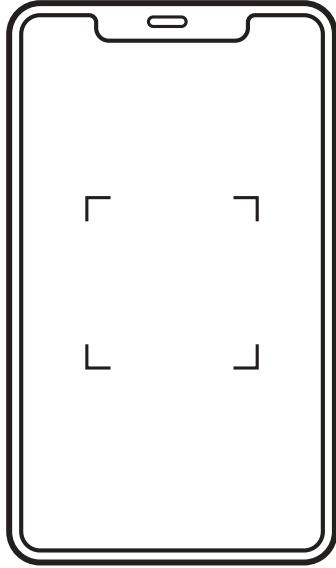


x4



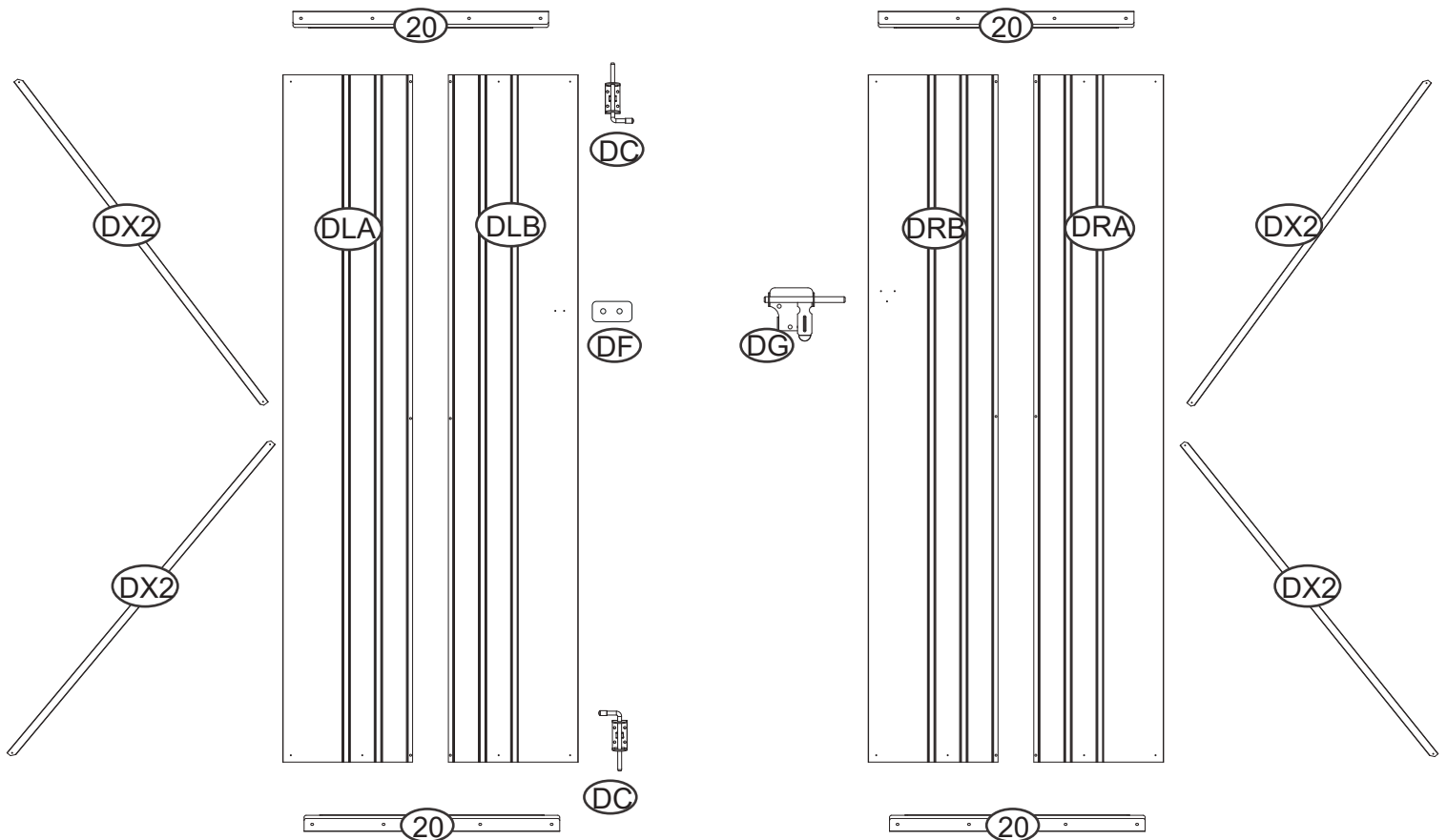
# ATTENTION

For this step only, To ensure a better understanding and installation experience, please **Scan The QR Code** next to it to watch a video tutorial that will assist you in completing the installation.

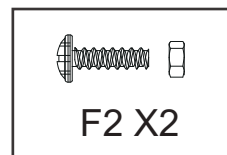
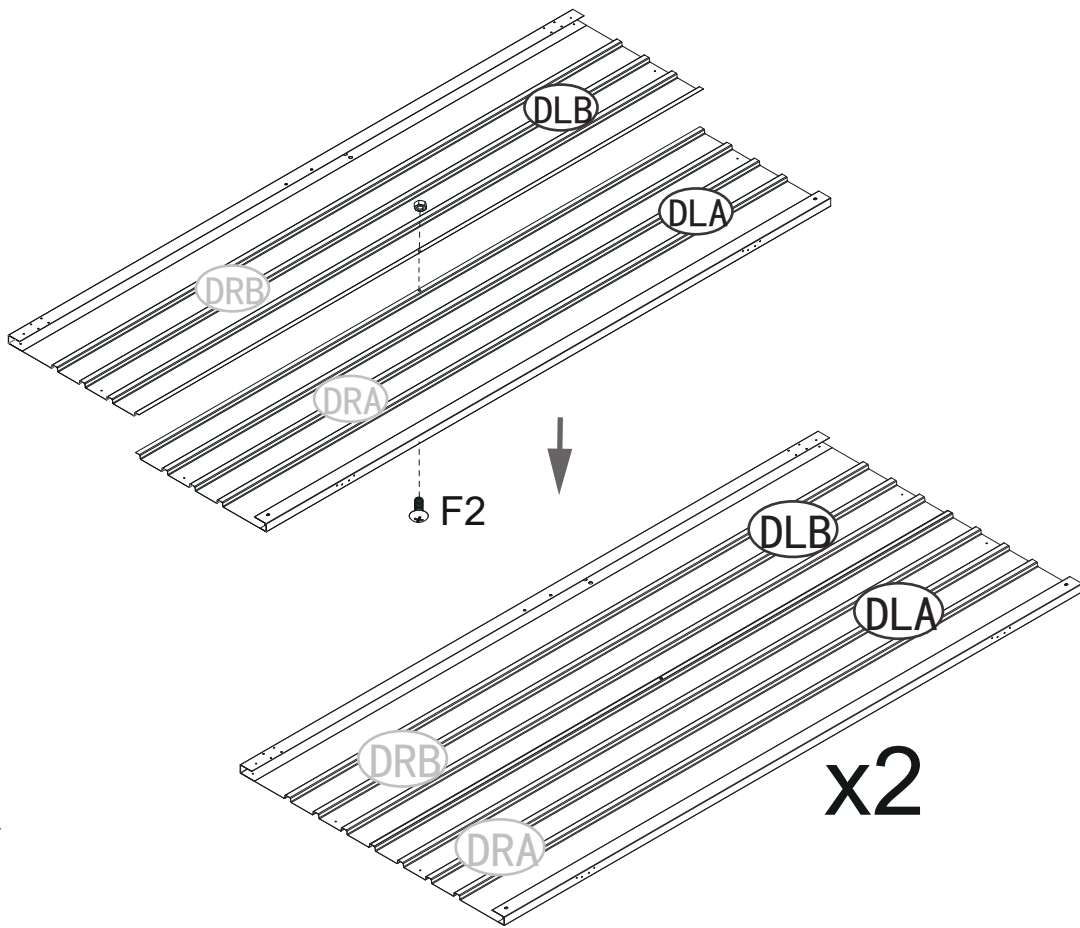


<https://www.patiowell.com/pages/video-t-ps22-0096-8?step8>

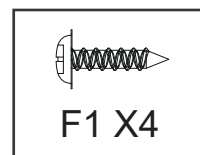
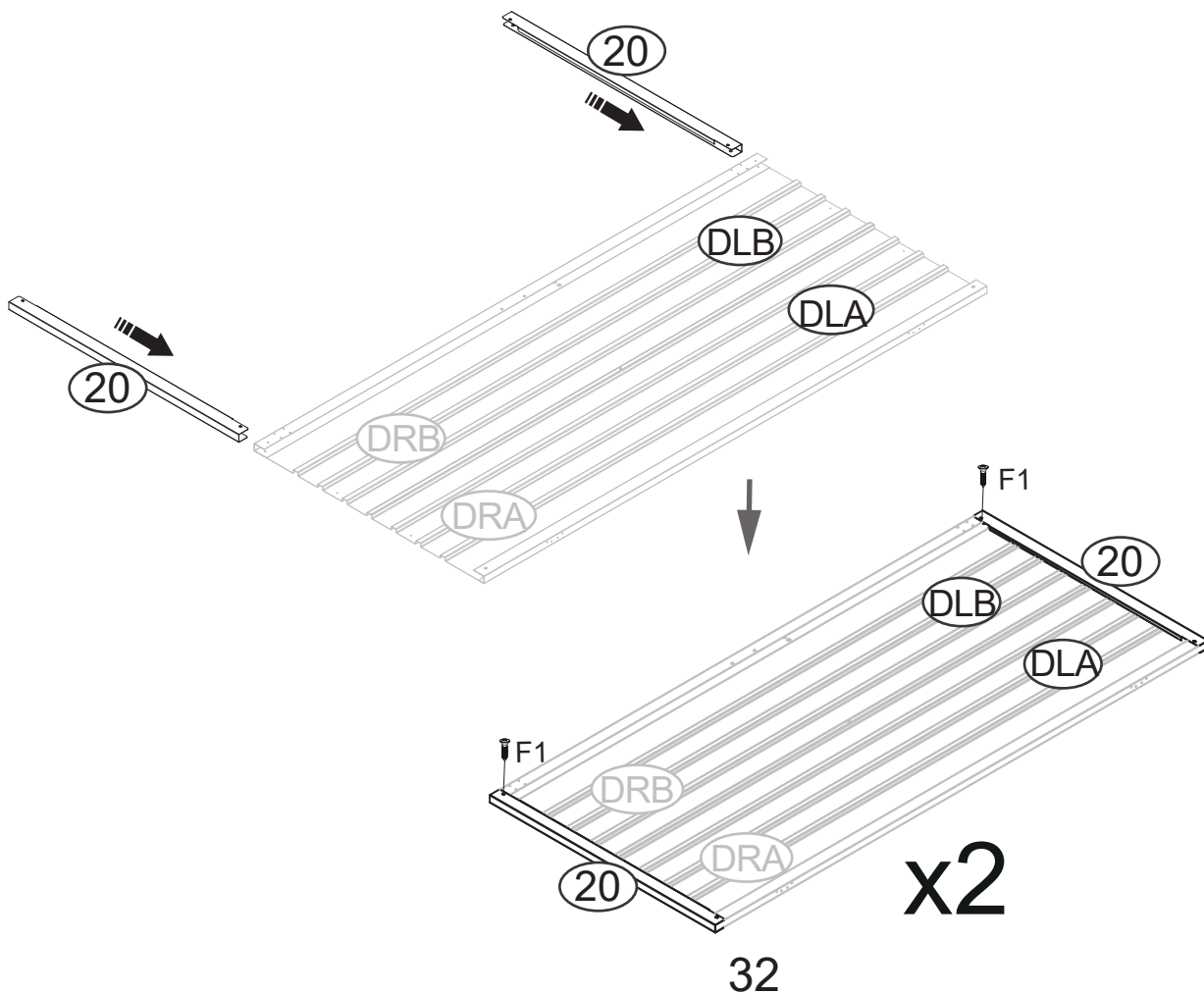
## STEP 35



# STEP 36

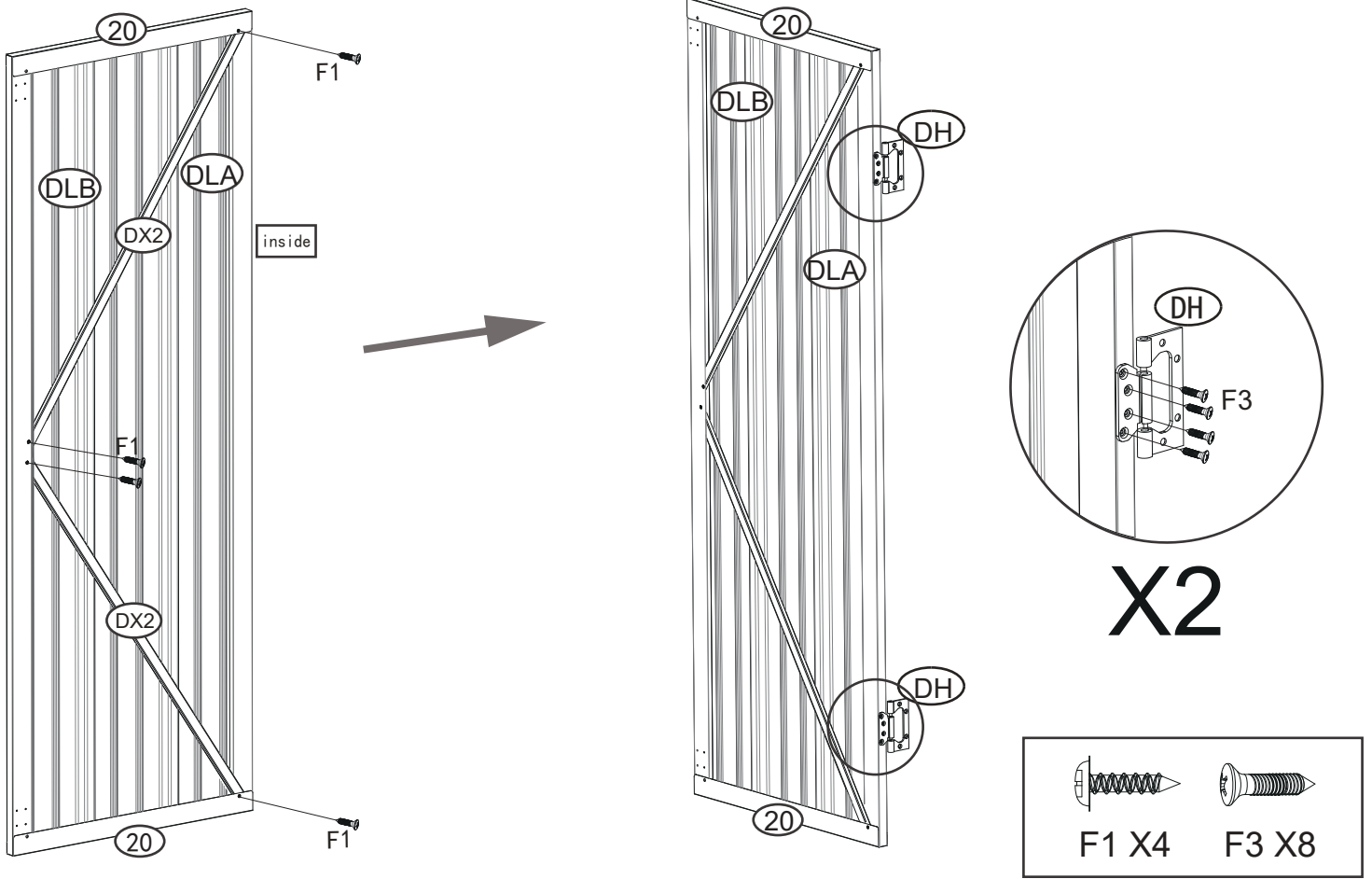


# STEP 37

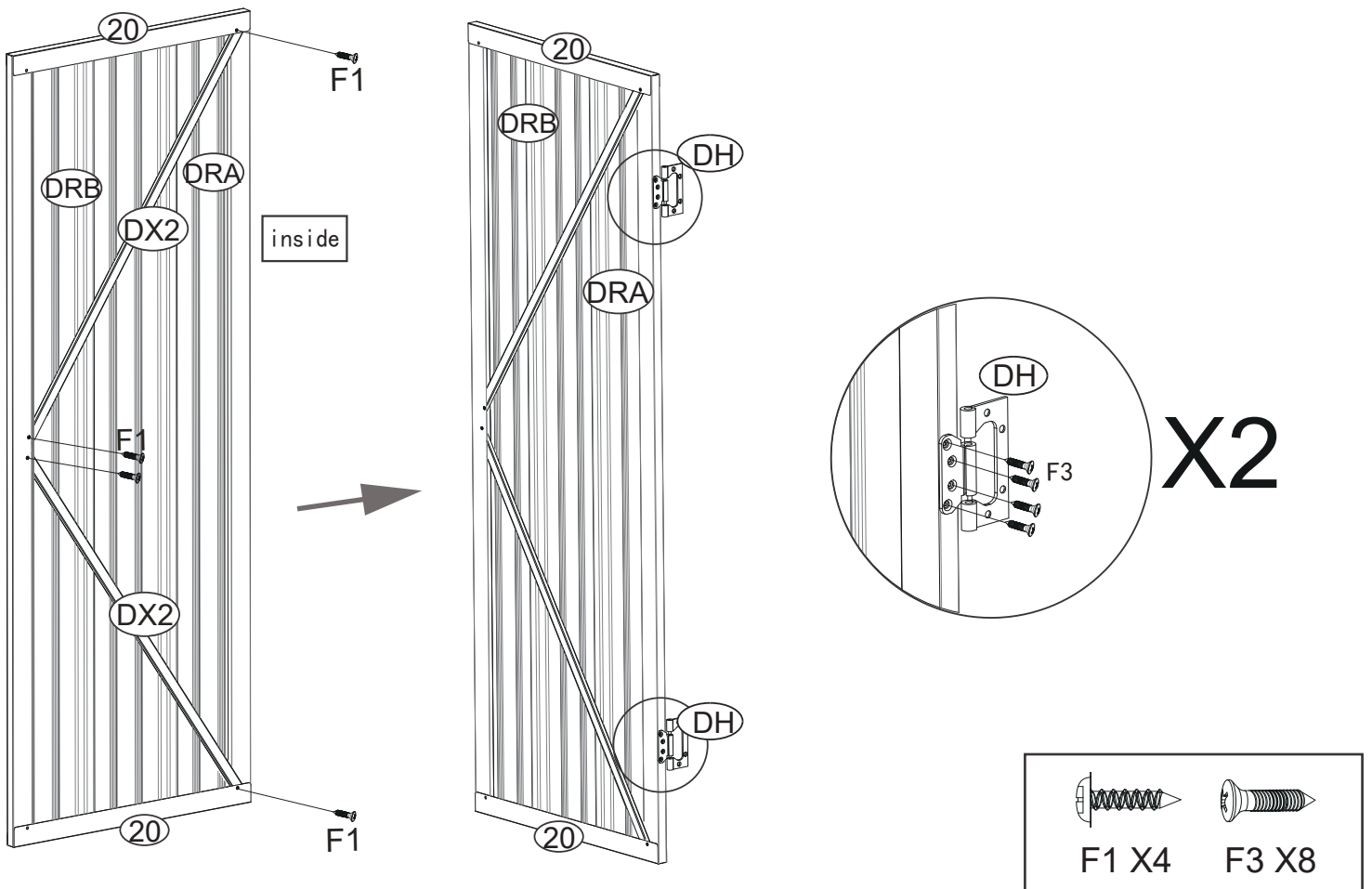




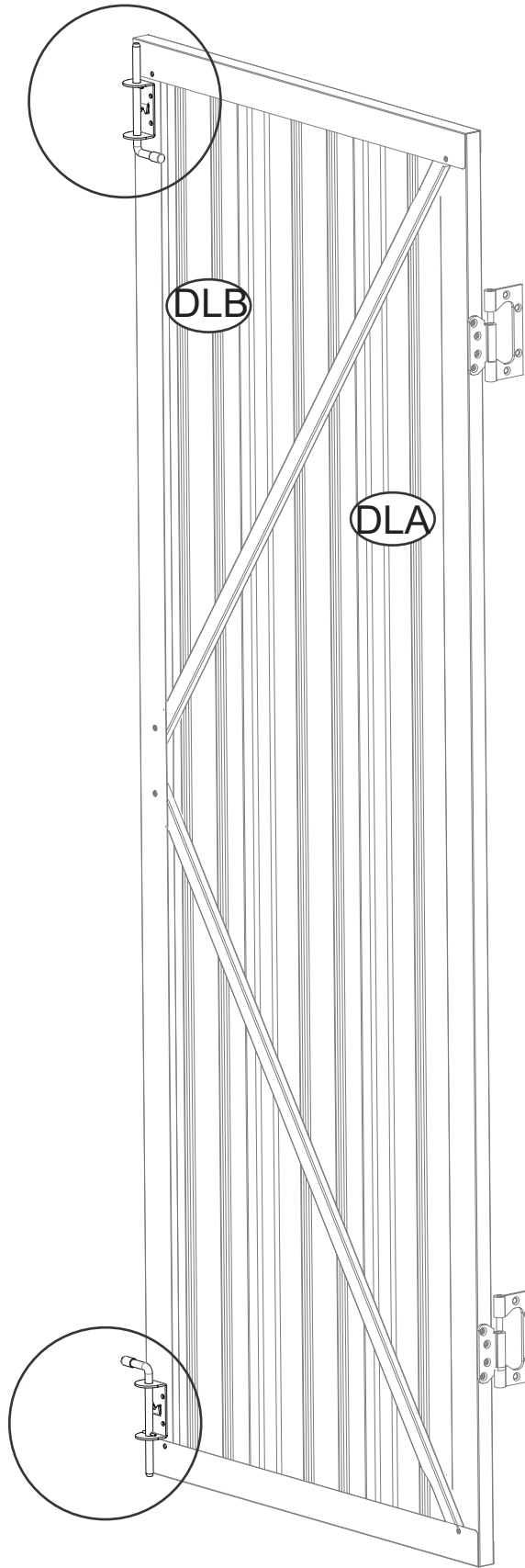
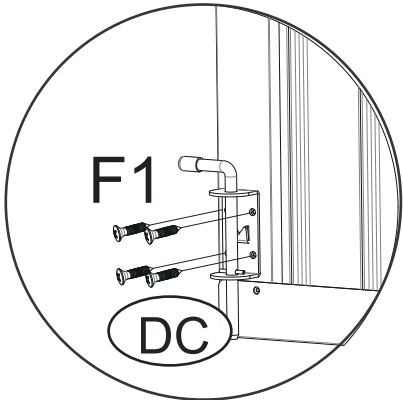
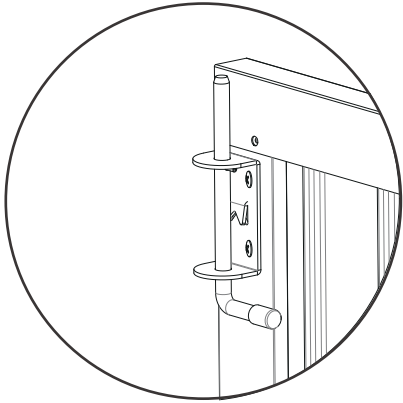
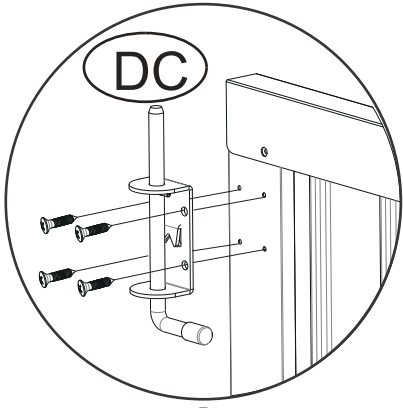
# STEP 38



# STEP 39

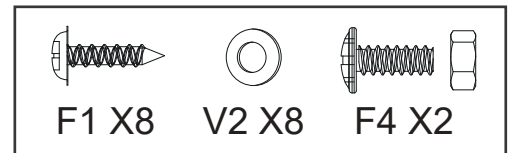
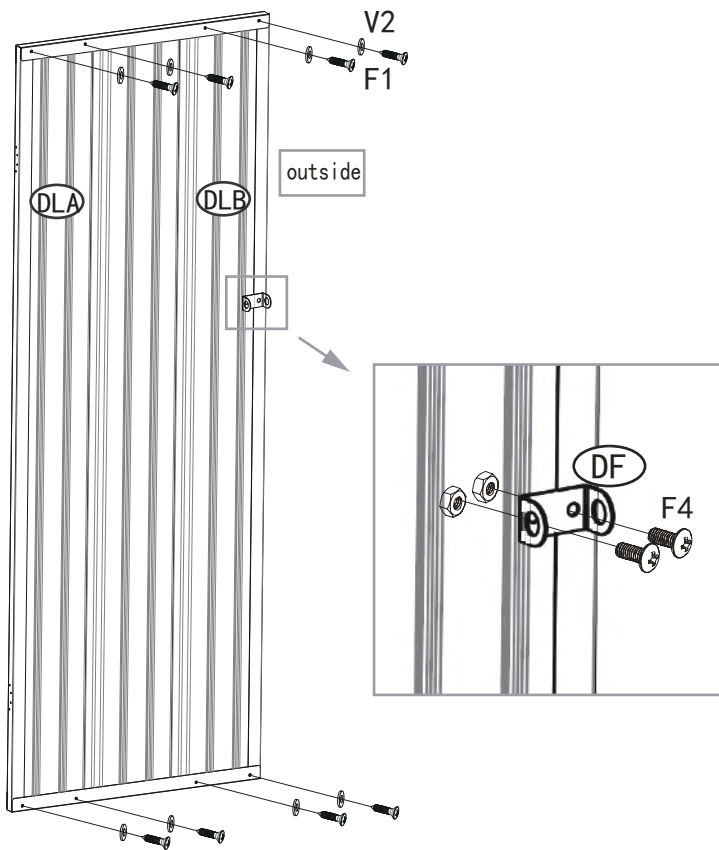


# STEP 40

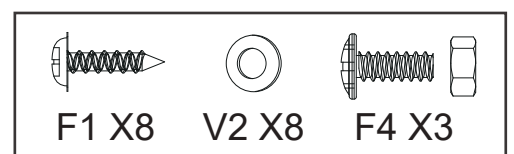
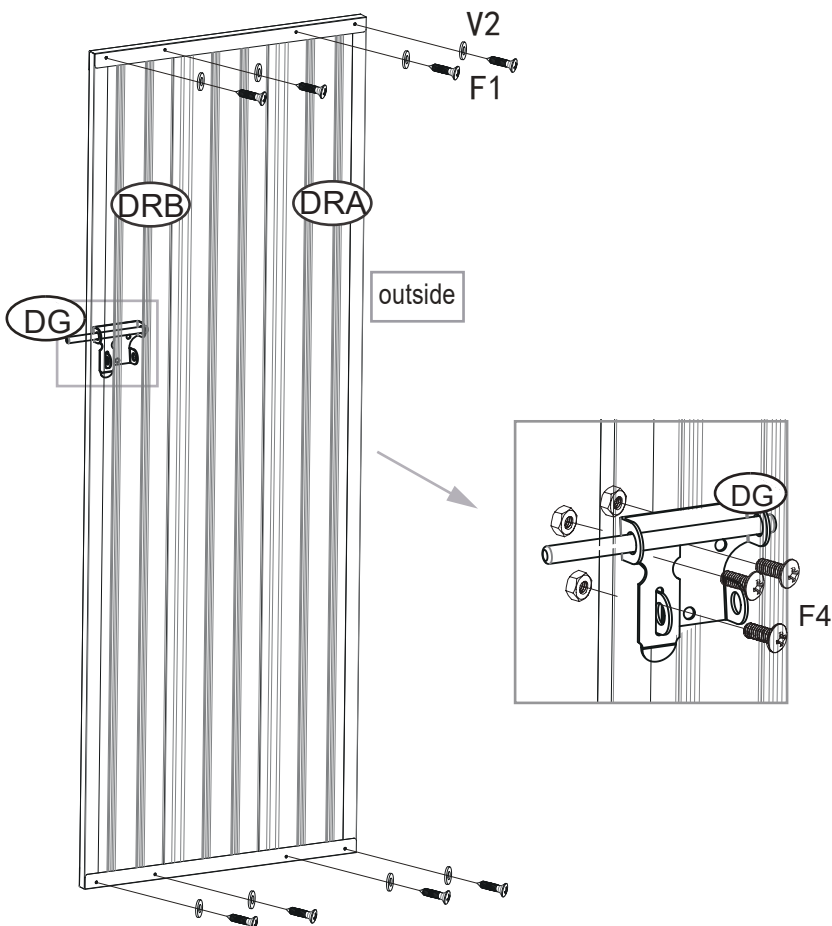


F1 X8

# STEP 41

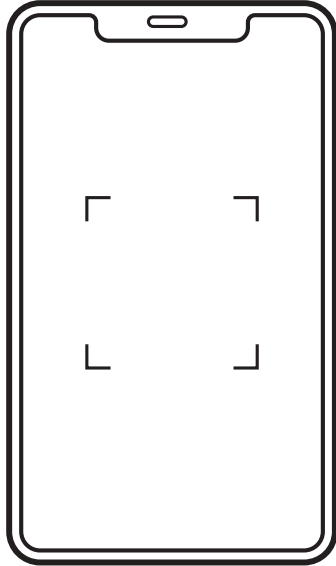


# STEP 42



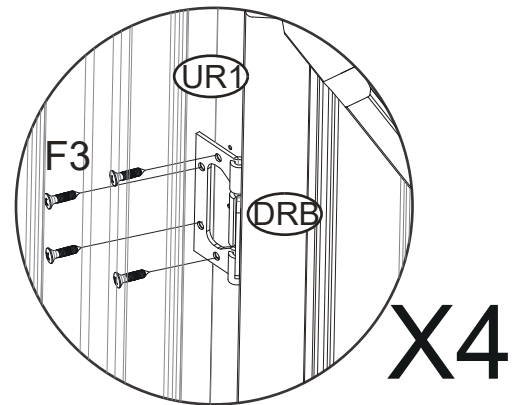
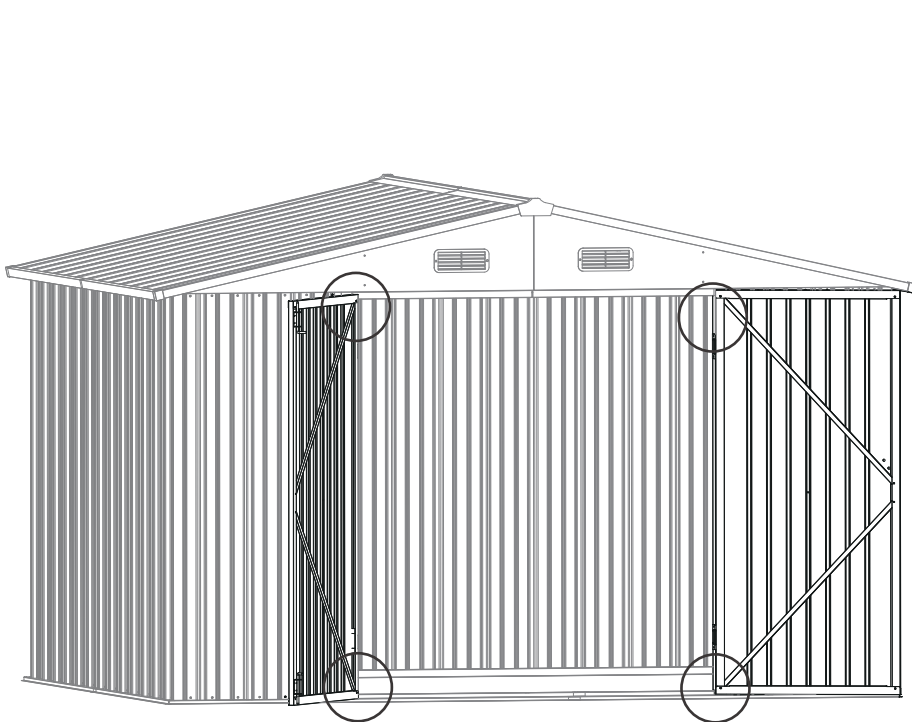
# ATTENTION

For this step only, To ensure a better understanding and installation experience, please **Scan The QR Code** next to it to watch a video tutorial that will assist you in completing the installation.

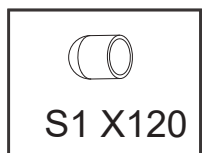
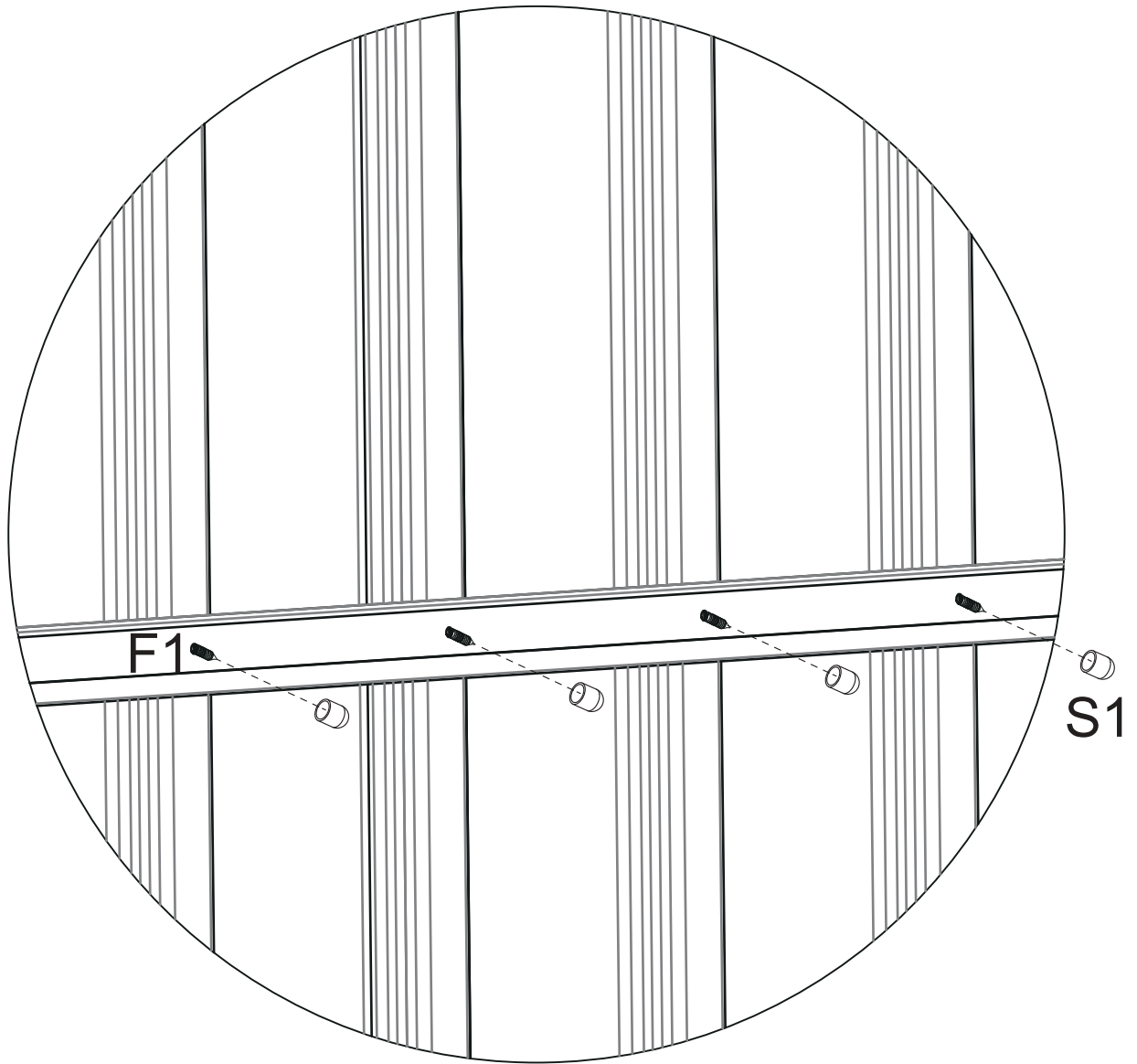


<https://www.patiowell.com/pages/video-t-ps22-0096-8?step9>

## STEP 43



# STEP 44



## CARE & SAFETY

- In case of fire, do not attempt to extinguish any burning polypropylene with water. Unsuitable for storage of flammable or corrosive substances.
- It is of utmost importance to assemble all of the parts according to the directions. Do not skip any step.
- Please consult your local authorities if any permits are required to erect shed.
- Periodically check shed to assure that it remains stable and that the site remains level.
- It is highly recommended to secure the shed to an immovable object or to the ground by drilling holes in the floor at the pre-marked locations and inserting proper screws into the ground (size: 1.9"-3" ,screws are not included).
- Wear safety-goggles and always follow the manufacturer's instructions when using power tools.
- Wash shed with garden hose or a mild detergent solution. Using a stiff brush or abrasive cleaner could damage shed.
- Hot items such as recently used grills, blowtorches, etc. must not be stored in the shed.
- Heavy articles should not be leaned against the walls, as this may cause distortion.
- Keep roof clean of snow and leaves. Heavy amounts of snow on roof can damage the shed making it unsafe to enter.
- Although wind direction varies, it is an important factor when taking into account where to place your shed. Therefore, it is recommended to reduce wind exposure of the shed in general, and the door side in particular.
- Keep doors closed and locked to prevent wind damage.
- Do not stand on the roof.