

YOU SHOULD HAVE RECEIVED

1 LITELOK®



2 KEYS



2 WRAPSTRAPS



TWIN LITELOK FLEXI-O

You will have two sets of the shown if you have purchased a TWIN LITELOK®

You can use the same key on both locks* and connect them together in series or in parallel (eg front wheel/back wheel) for extra security.

*not with a combo version.



LITELOK® GO SPECIFICATION

GO FLEXI-O	52	70	85
Weight	641g 1.4lb	750g 1.6lb	843g 1.8lb
Locking Circumference	52cm 20.5in	70cm 27.6in	85cm 33.5in
Diameter	18cm 7.1in	23.5cm 9.3in	28cm 11.0in
Width	3.5cm 1.4in	3.5cm 1.4in	3.5cm 1.4in

- Sold Secure Bicycle Silver & ART2 rated
- Hard wearing polymer coating
- Hardened steel lock casings
- Patent pending 'downward line of sight' lock allows multiple locks to be joined together for extra length
- Pick resistant disc detainer style lock mechanism
- Patented BOAFLEXICORE® composite strap employing high tensilesteel in a polymer matrix
- Each single LITELOK supplied with 2 keys & 2 WrapStraps
- Rattle-free design, makes no noise when carried on the bike

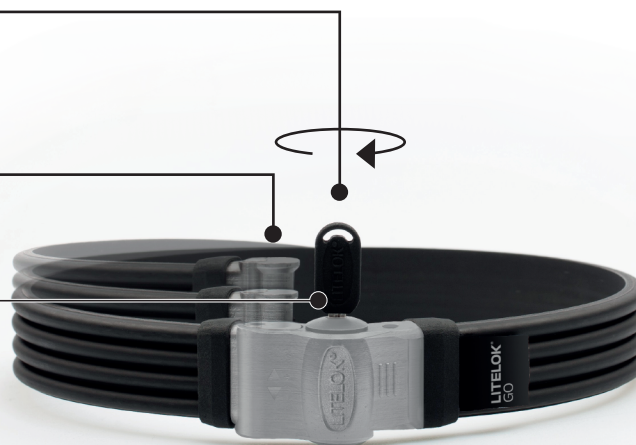
USING YOUR LITELOK® GO FLEXI-O

- FULLY INSERT KEY & ROTATE A HALF TURN CLOCKWISE (180°)

DO NOT FORCE THE KEY IF THE LOCK JAMS
- WITH KEY FULLY TURNED SLIDE SMALL END FULLY INTO CIRCULAR LOCKING AREA
- FINALLY, ROTATE KEY A HALF TURN ANTICLOCKWISE (180°) & REMOVE

REVERSE THE SEQUENCE TO UNLOCK

KEY CANNOT BE REMOVED UNLESS LOCK IS IN LOCKED CONDITION



We suggest practising a few times to get used to LITELOK before taking it out & about. Failure to fully insert the small end of your LITELOK in step 2 will result in an inability to lock your LITELOK in step 3.

PLEASE DO NOT USE
LITELOK® AS A WEAPON

USING YOUR LITELOK® KEYS

LITELOK GO has been designed to be quick and easy to use. **DO NOT FORCE** the key if the lock jams.

ALWAYS push the key in fully before turning 180° clockwise. When rotating the key you may experience a slightly damped action – this is normal and is a feature of the high quality of your LITELOK.

If you have trouble it might be that the internal discs may be misaligned because the key was not fully inserted.

Wiggle the key gently from side to side, turn anticlockwise, remove and try again. If any issue persists please contact the place of purchase.

DO keep one key as a spare, register your lock on litelok.com and note the key code somewhere safe and separate from the keys to enable you to order replacements at a later date.



LITELOK®
GO
FLEXI-O

INSTRUCTIONS

HOW TO LITELOK® YOUR BIKE

ALWAYS lock your bike to a fixed object through the back wheel and frame and keep the lock off the ground.

IDEALLY use a LITELOK on the front wheel too.

Alternatively you can remove it and securely lock it along with the back wheel.

Check out our video guide at www.litelok.com

ALWAYS check your lock before leaving your bike.



CARRYING YOUR LITELOK® GO



Carry your LITELOK **SAFELY**.

We recommend either putting it in a bag or attaching it with **BOTH** of the two high visibility hook and loop wrapstraps provided within your bike frame. Please see www.litelok.com for examples.

This may not work for all frames in which case you need to find another location which is **SAFE** and **SECURE**.

Failure to secure your LITELOK correctly may also result in damage to your bike's paintwork.

If you are unsure whether your LITELOK is secured safely **DO NOT SET OFF ON YOUR BIKE**. Take time to adjust or find another way to carry your LITELOK.

WARRANTY INFORMATION

Zeal Innovation Ltd (Zeal) provides a warranty that LITELOK (the product) is free from manufacturing defects in material and workmanship. This warranty is one year from the date of purchase unless otherwise stipulated in local law.

The warranty is void if the product is tampered with in any way. Upon return of the defective product to Zeal or its authorized distributor for inspection, free and clear of all liens and encumbrances and accompanied by proof of purchase and a statement of the defect/s, Zeal will replace the product.

This limited warranty may not be assigned or otherwise transferred in any way and may not be extended, altered or varied. To the fullest extent allowable by the laws applying hereto, this limited warranty is in lieu of any other warranties, either express or implied, including but not limited to any warranties of merchantability or fitness for a particular purpose, all of which are expressly excluded and disclaimed. Zeal Innovation Ltd will not be liable for loss of profits, any special, incidental, or consequential damages, which purchaser may sustain, any damages for claims by any third party or punitive damages, even in the event of notice of the possibility of such damages.

Zeal reserves the right to change the specification and design details of its products without notice in the pursuit of excellence.

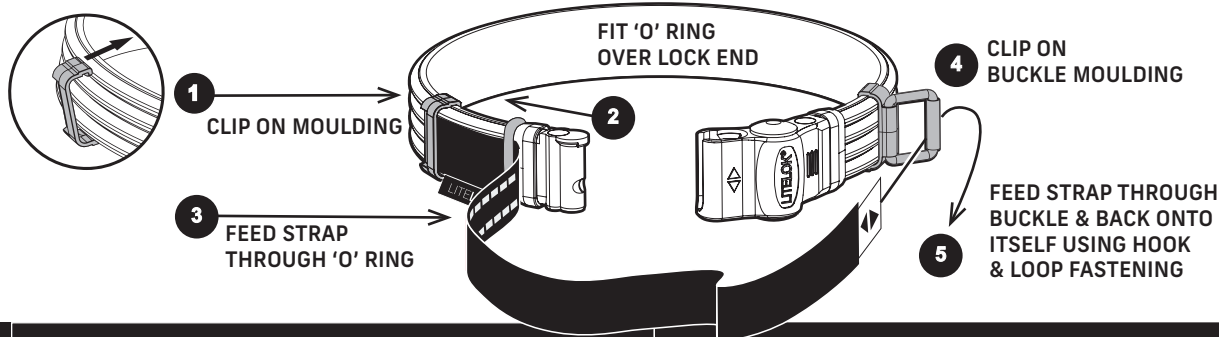
e&oe

WEARING YOUR LITELOK® GO FLEXI-O (IF WEARABLE KIT VERSION PURCHASED)



If you want to use a Wearable Kit please attach it as per the instructions. You can slide the clips to adjust the size and the single sided hook and loop webbing strap fits through the buckle and attaches back to itself.

Please make sure that your LITELOK is **SAFE** and **SECURE** before setting off.



CARING FOR YOUR LITELOK® GO

Clean and lubricate your LITELOK regularly.

Wipe all surfaces with a soft cloth and if necessary use a small amount of soapy water to clean them regularly to remove road/traffic film and debris, before drying.

Take care not to introduce water into the locking mechanism itself.

Do not immerse lock in water.

LITELOK has been designed to resist dirt and corrosion but we recommend drying the product if it gets wet.

The locking mechanism can be lubricated with a small amount of lubricant applied periodically through the keyhole.

LITELOK GO is protected with integral high grade anti corrosion coatings. These coatings use oxide layers which over time may make your lock casing look slightly duller. This is perfectly normal and indicates that the coating is functioning. Careful cleaning and application of a special wax will keep your lock looking pristine and factory fresh. Please contact us for our recommendations.

LITELOK®
LIGHT | FLEXIBLE | SECURE

www.litelok.com | hello@litelok.com

All Patents, Trademarks & Copyright are property of Zeal Innovation Ltd
t/a Litelok, Unit 10, Technium 1, Swansea Waterfront, Swansea SA1 8PH, UK