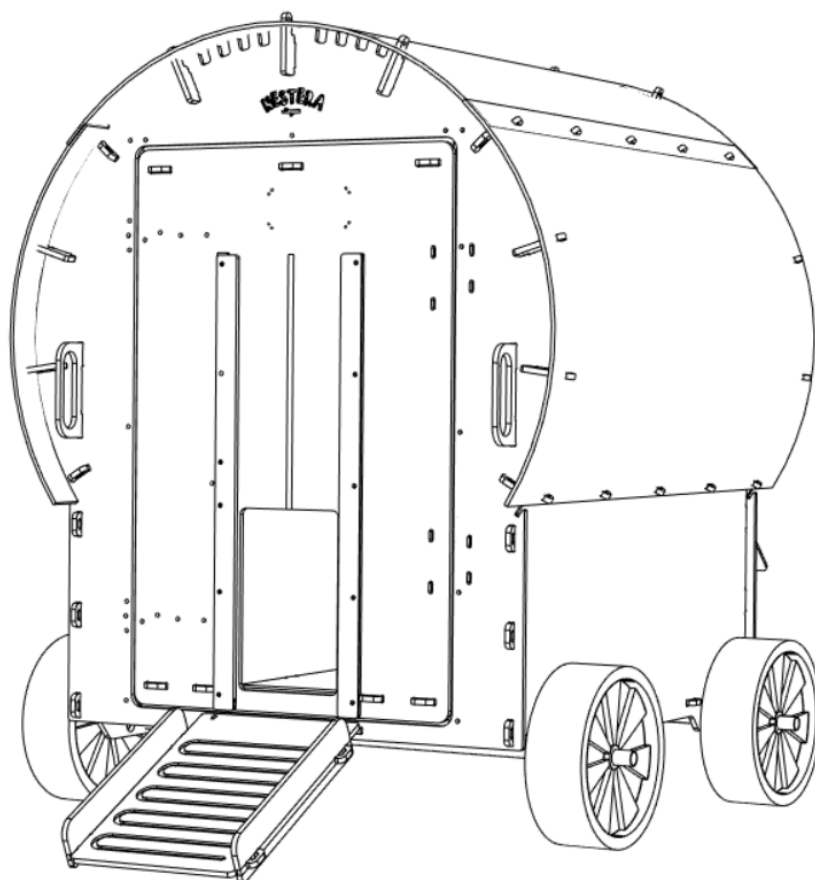


NESTERA



HOW TO ASSEMBLE, USE AND CARE FOR YOUR
Chicken Wagon

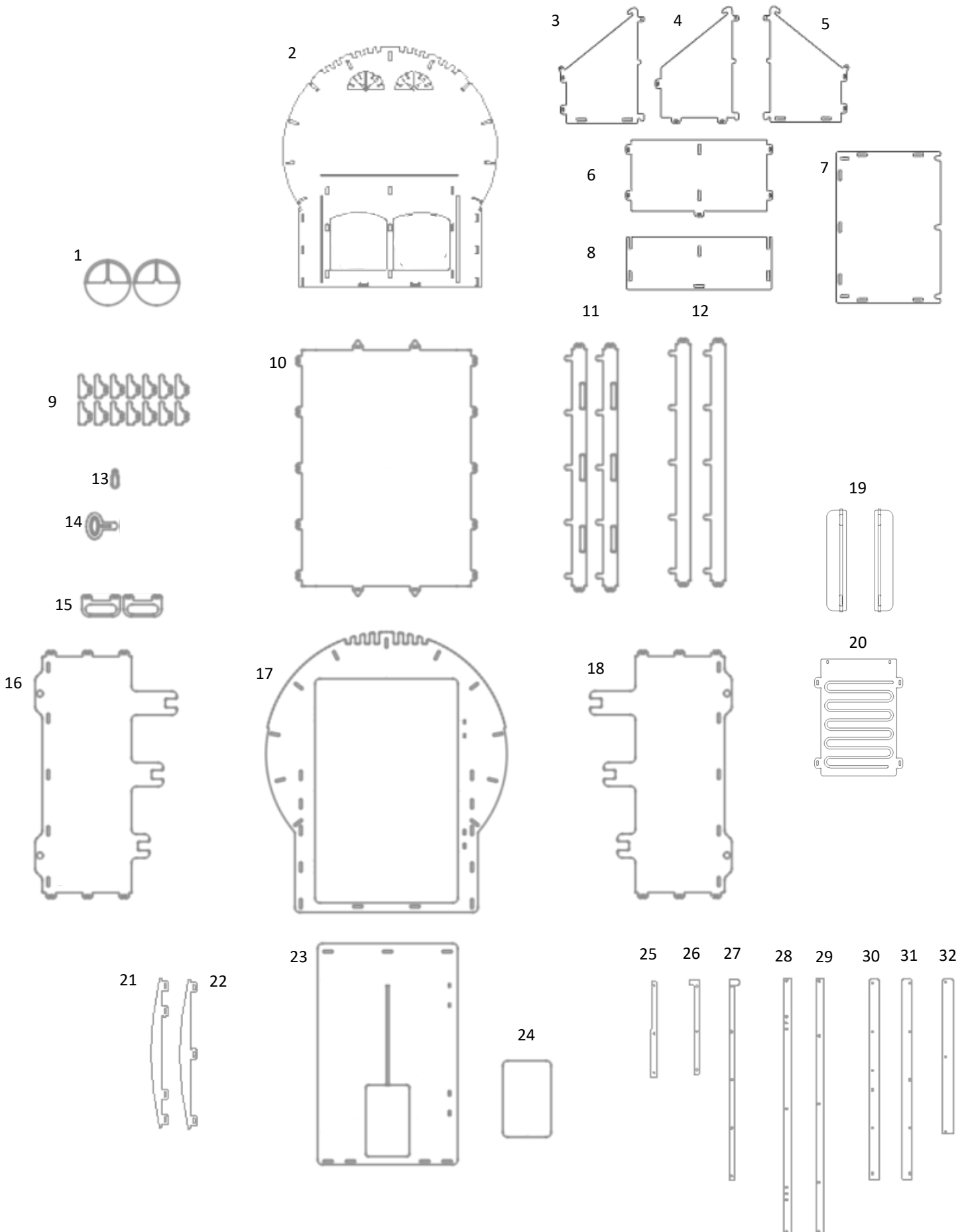


Version 1.1

Wagon Components

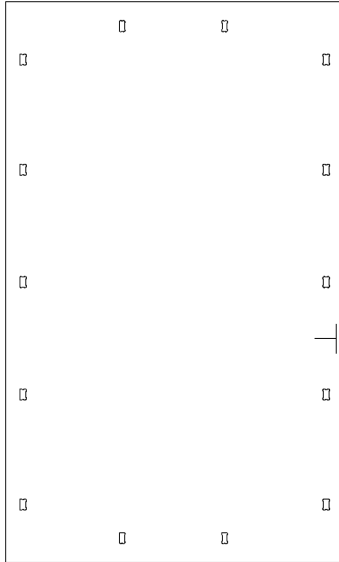
1. Vent Covers
2. Rear Wall
3. Right Nest Box Side Wall
4. Nest Box Divider
5. Left Nest Box Side wall
6. Nest Box Base
7. Nest Box Roof
8. Nest Box Front
9. Roof Retainers
10. Base
11. Lower Roof Supports
12. Upper Roof Supports
13. Door Handle
14. Locking Handle
15. Front Handles
16. Left Side Wall
17. Front Wall
18. Right Side Wall
19. Ramp Side Supports
20. Ramp
21. Lower Door Brace
22. Upper Door Brace
23. Front Door
24. Metal Door
25. Left Small Lower Door Retainer
26. Left Small Upper Door Retainer
27. Right Small Door Retainer
28. Left Door Retainer
29. Right Door Retainer
30. Left Door Stop
31. Right Door Stop
32. Upper Door Stop
33. Lower Left Side Roof
34. Roof
35. Lower Right Side Roof
36. Wheels (Qty 4)
37. Axles (Qty 2)
38. Perches (Qty 3)
39. Wheel Stop (Qty 2)
40. Nest Box Side Brace
41. Nest Box Front Brace

Wagon Components

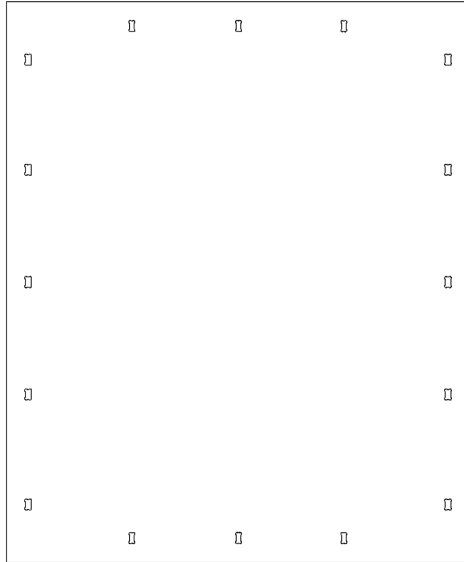


Wagon Components

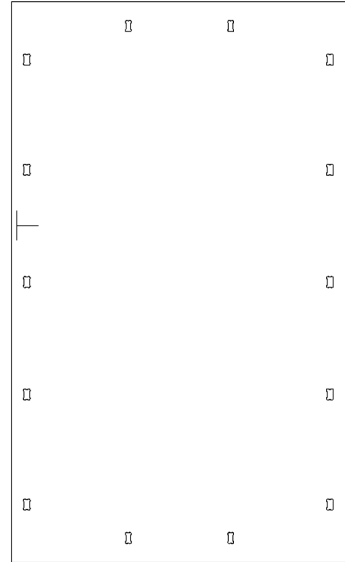
33



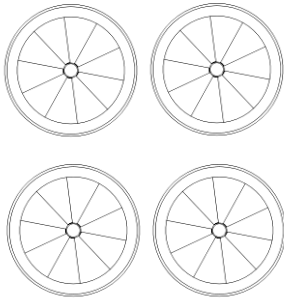
34



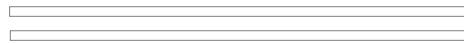
35



36



37



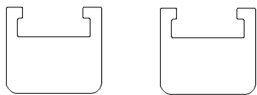
38



40



39



41

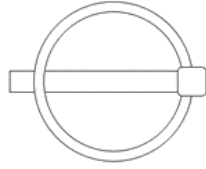
Fixing Pack 1

You only need to lift the ring slightly up from the bar. Linch Pins are designed to spring closed, so watch your fingers!



Pi Clip

Qty 76



Linch Pin

Qty 49



6mm R Clip

Qty 2



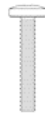
Clevis Pin 25mm

Qty 2



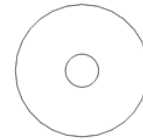
30mm Screw

Qty 32



20mm Screw

Qty 16



25mm Washer

Qty 2



Standard Washers

Qty 55



Nylock Nut

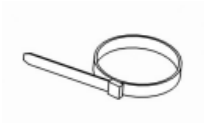
Qty 55



Split Ring

Qty 1

Fixing Pack 2



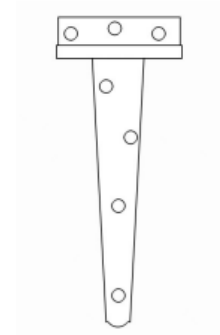
Cable Tie

Qty 1



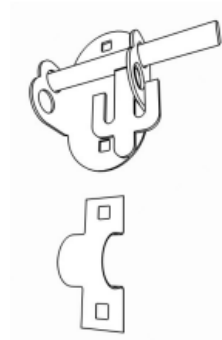
Weather Seal

Qty 1



Hinge

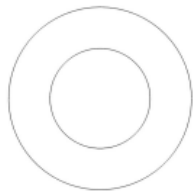
Qty 2



Door Bolt &

Retainer

Qty 2



Wheel Washer

Qty 4



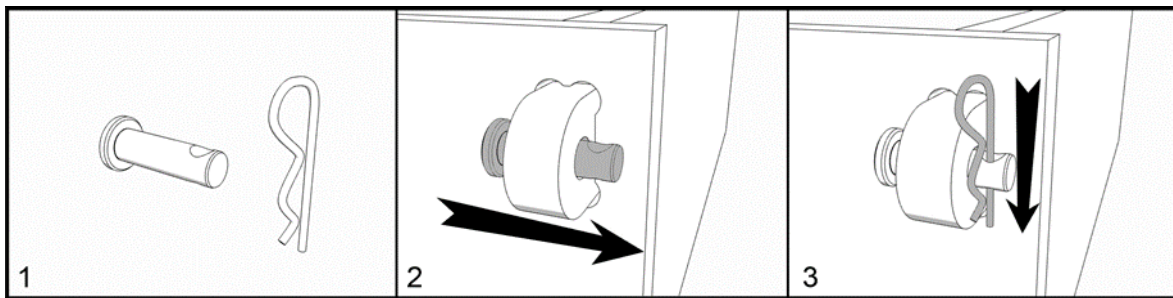
Wheel Spacer

Qty 4

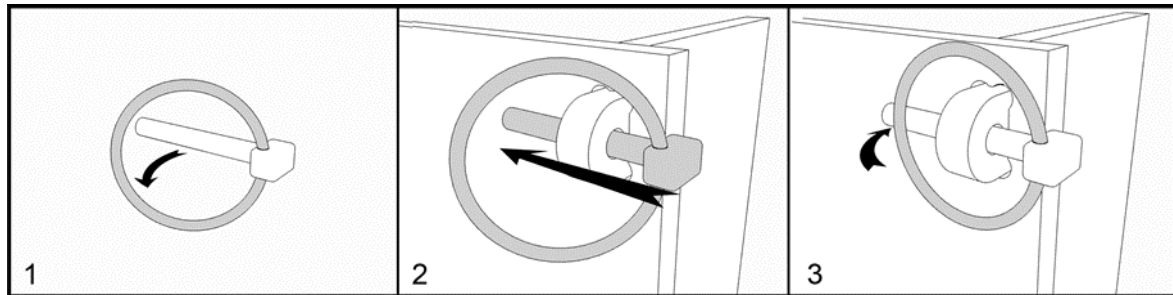
RECYCLED & RECYCLABLE

Products from Nestera are made from recycled materials, wherever possible. Where this is not practical, we always try to use materials that are suitable for recycling. Our plastic is made from recycled industrial waste plastic. By choosing Nestera products, rather than those made from virgin plastic, you are helping to restrict the amount of new plastic being made. We recycle all our waste plastic (our Pi Clips are made from our own waste) and, of course, our products themselves can be recycled (if they ever wear out!). The recycled plastic we use is quite tough but as easily worked as wood. There is no need for preservative treatment with insecticides or fungicides, and structures won't splinter or crack, so they retain their structural integrity. The plastic is resistant to UV light, so it retains its colour, and is mostly impervious to atmospheric pollutants and seasonal climatic actions, such as freeze-thaw. It insulates well and is resistant to chewing. These properties mean it retains its appearance, colour and functionality for far longer than timber. The sheets of recycled plastic have a very uniform thickness, and so are ideally suited to our high-technology manufacturing process, which uses computer-controlled machines to cut shapes to accuracies less than 0.1mm. We use some metal components to fix some parts together. The metals used are either stainless steel or other rust-resistant alloy, so they have a long lifetime and are also suitable for recycling. Our packaging and literature are all made from recycled materials wherever possible.

HOW TO FIT A CLEVIS PIN (IF USED)

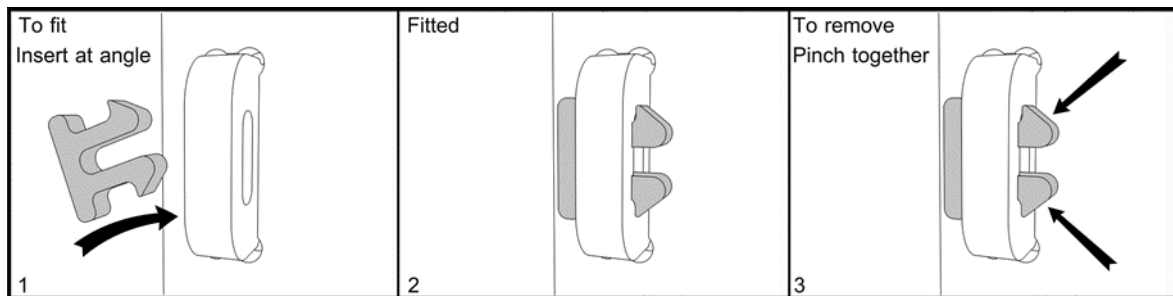


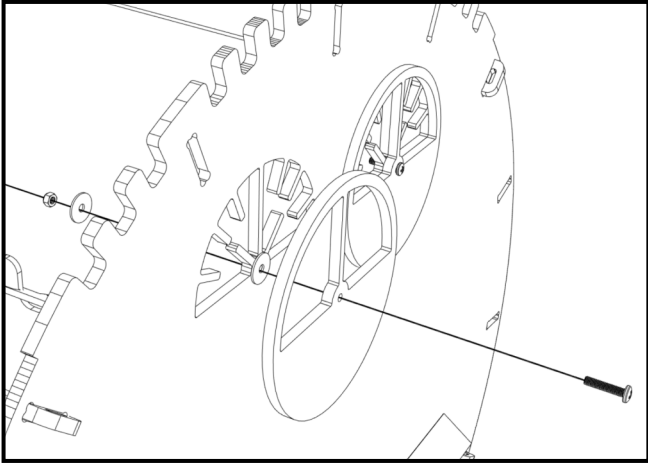
HOW TO FIT A LINCH PIN (IF USED)



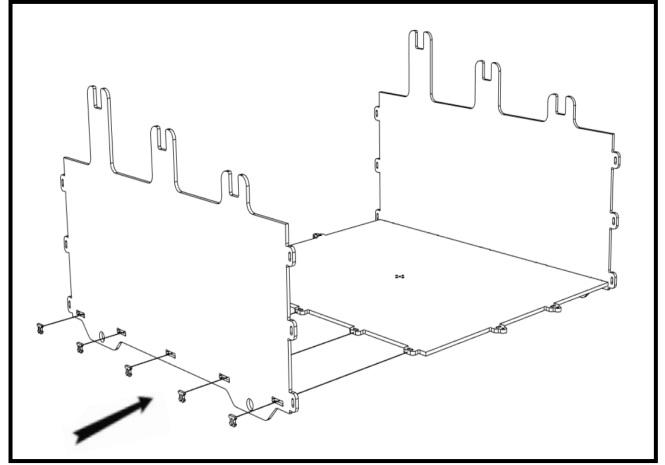
You only need to lift the ring slightly up from the bar. Linch Pins are designed to spring closed, so watch your fingers!

HOW TO FIT AND REMOVE A PI CLIP

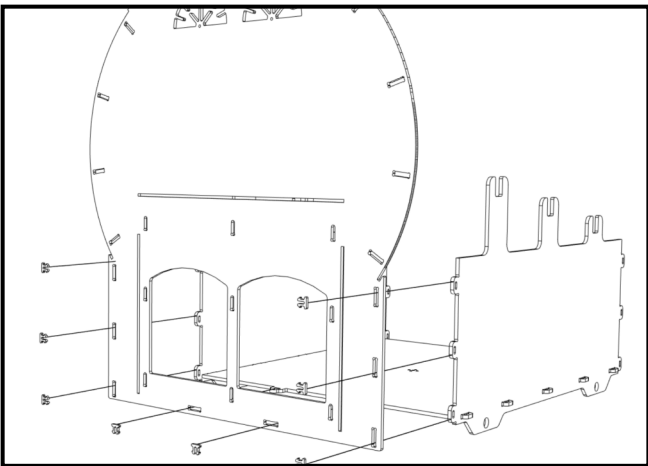




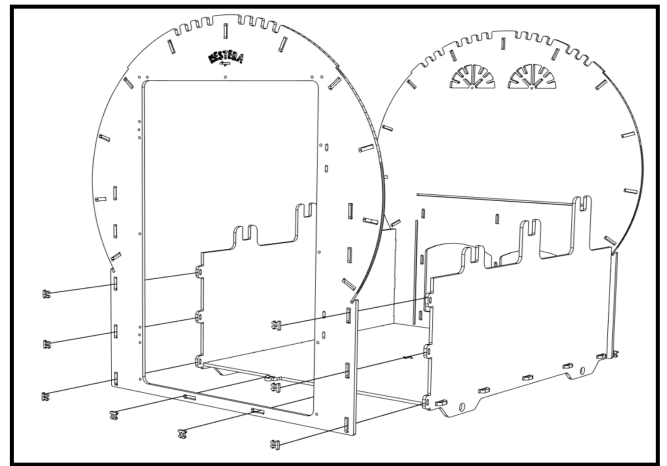
1 Fit the **Vent Covers** to the rear wall using M6 x 30mm Screws, Standard washers, Large washers and Nylock nuts. Tighten the nut until the vent can rotate using gentle pressure. It should not spin freely.



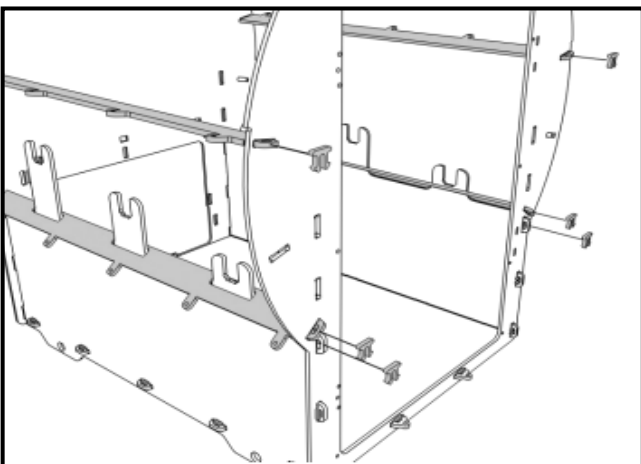
2 Fit the **Left and Right side wall** to the base using 10 Pi Clips.



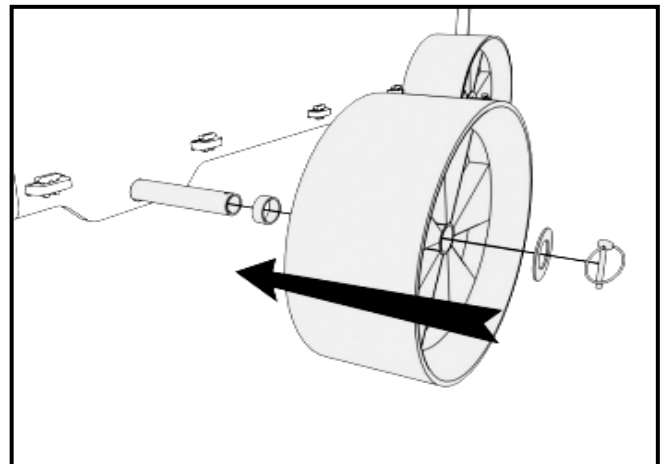
3 Fit the **Back wall** to the side walls and base using 8 Pi Clips .



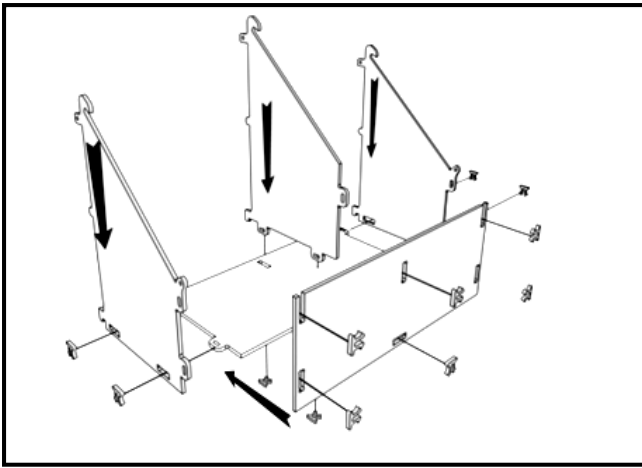
4 Fit the **Front wall** to the side walls and base using 8 Pi Clips.



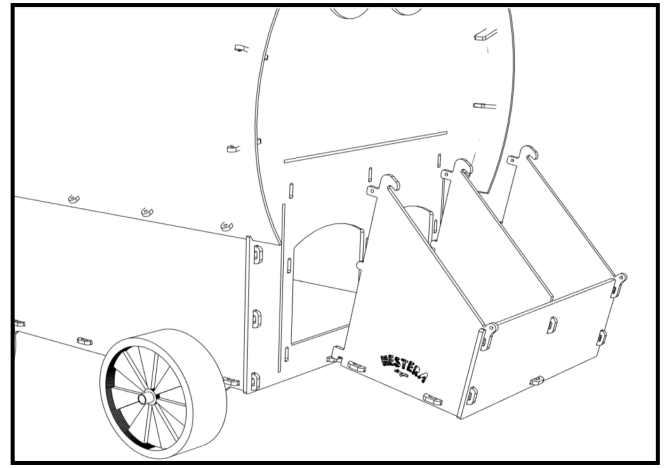
5 Fit the **Lower and upper roof supports** using 8 Pi clips.



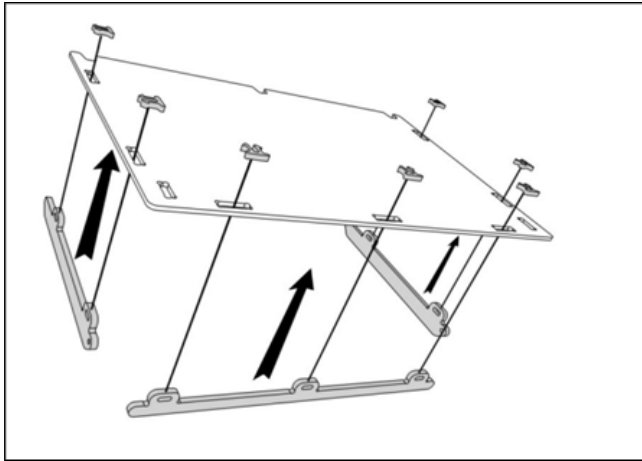
6 Slide the **Axles** through the side walls. Slide **Metal spacers** over Axles, then the **Wheels** then the **wheel washers** and secure with **Linch Pins**



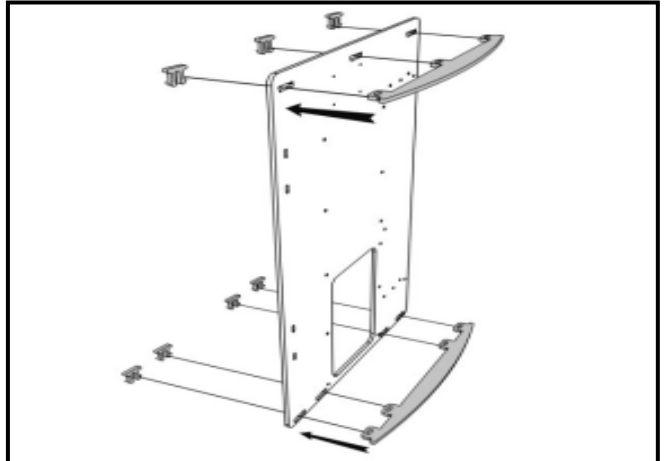
7 Fit the **Nest box End Walls** and **Nest Box Divider** to the **Nest Box Floor**, then add the **Nest Box Front Wall**, using 12 x Pi Clips.



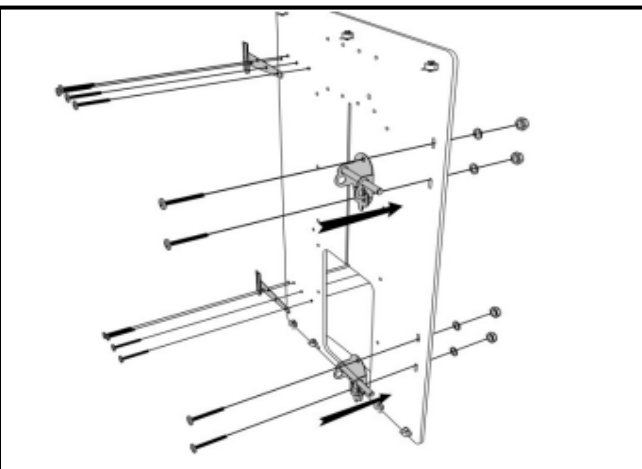
8 Fit the **Nest box** to the Wagon by first inserting the L-lugs into the lower holes on the Back Wall, then tilting the nest box to push the three upper lugs through their holes, before securing them inside the main house with 3x Linch Pins.



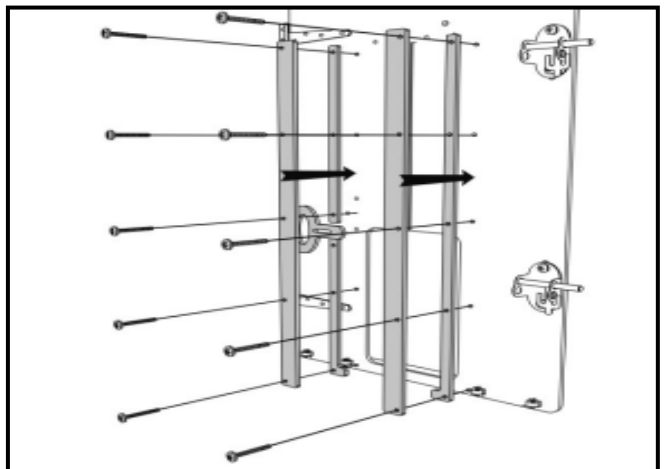
9 Fit the **Nest box Front Brace** and the two **Nest box Side Braces** to the **Nest box Lid**, which should have its patterned side upwards, using 7 x Pi Clips.



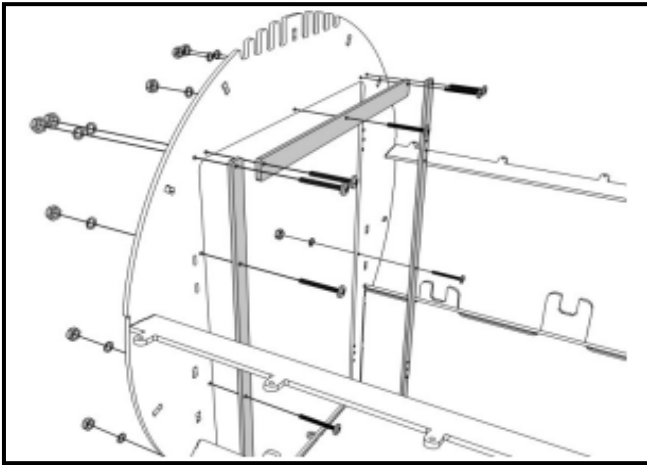
10 Fit the **Upper** and **Lower Door Brace** to the inside (Smooth Side) of the Front Door using 7 Pi Clips



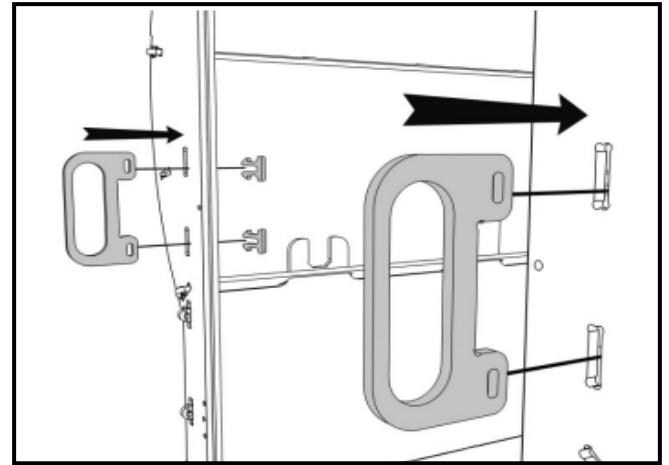
11 Fit the **Door Bolts** and **Hinges** to the Outside of the Front Door using 10 M6x20mm Screws, Standard washers and Nylock Nuts.



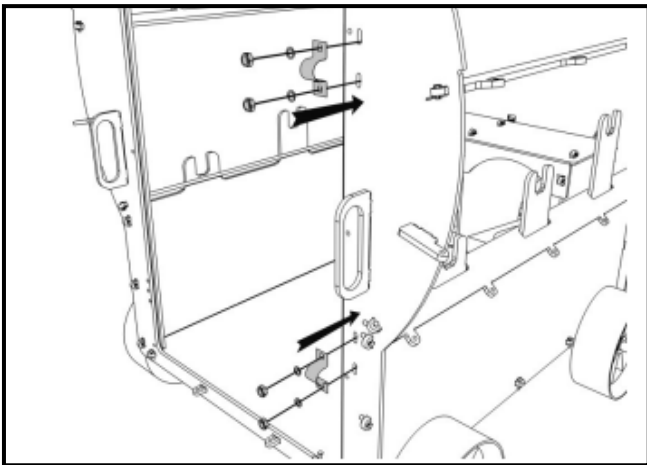
12 Fit the **Door retainers** to the door using M6x30mm Screws, Standard washers and Nylock Nuts. Insert the Locking Handle and fix using 14 M6x 30mm screws. Standard washer and a Nylock Nut. Tighten until the locking handle slides with gentle resistance



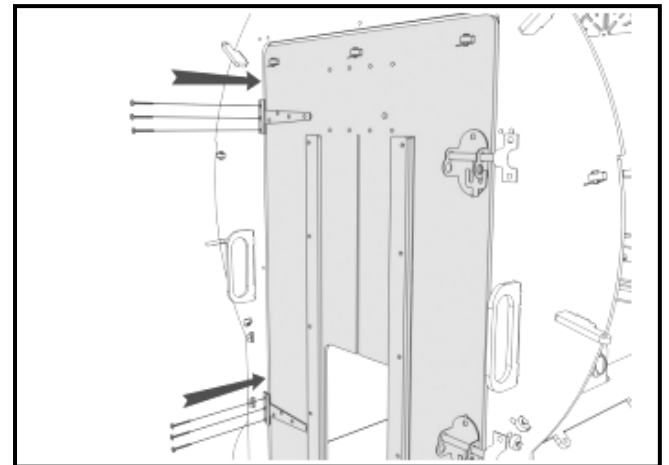
13 Fit the **Left, Right and Upper Door stops** to the inside of the front wall using 14 M6x30mm Screws, Standard Washers and Nylock Nuts.



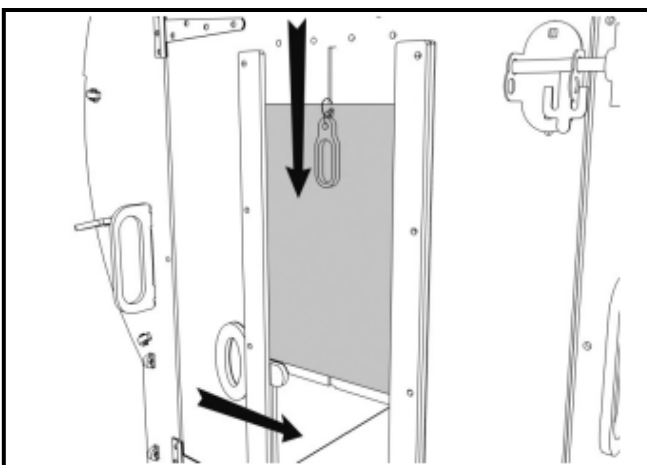
14 Fit the **Front Handles** to the Front Wall Using 4 Pi Clips.



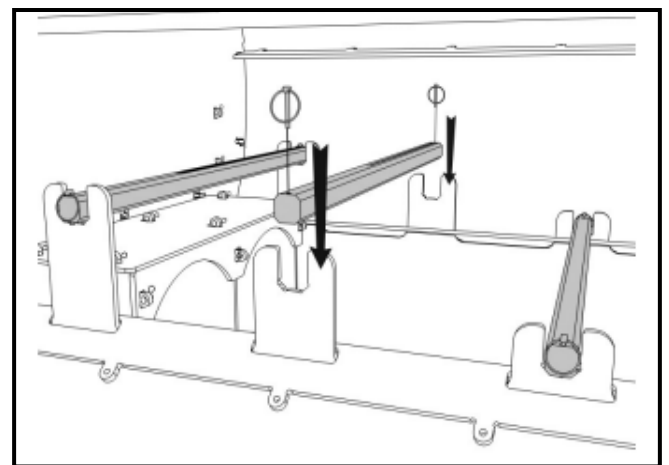
15 Fit the **Door Bolts and Hinges** to the outside of the Front Door using 4 M6x20mm Screws, Standard Washers and Nylock Nuts.



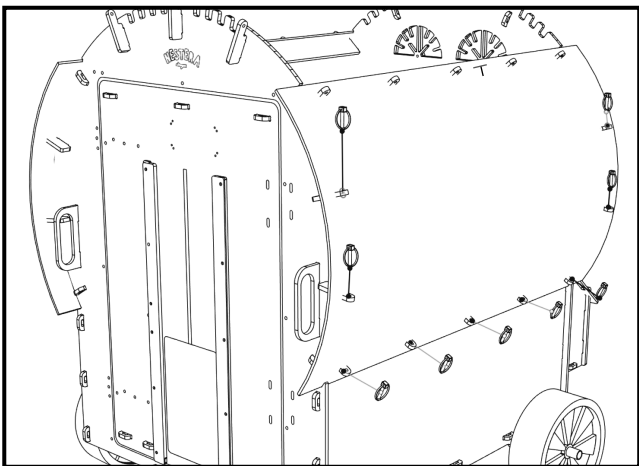
16 Fit the **Front Door** using 6 M6x30mm Screws, Standard Washers and Nylock Nuts.



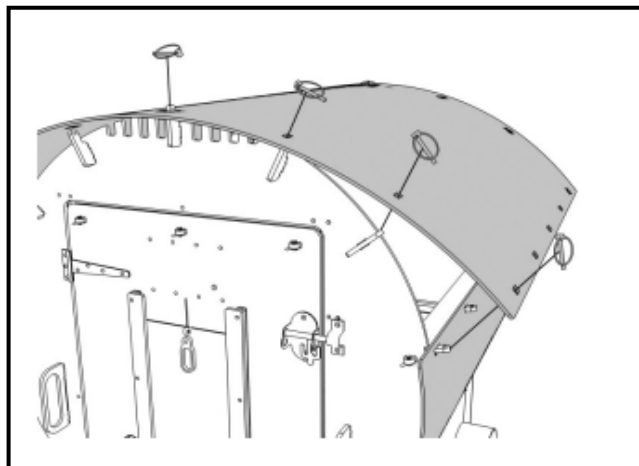
17 Fit the **Split Ring** through the hole in the **Metal Door** and tie the **Door Handle** to it with a **cable tie** (Snip off the free end). Slide the **Metal Door** into place from the top. Note: the metal door can be locked open or closed with the locking handle.



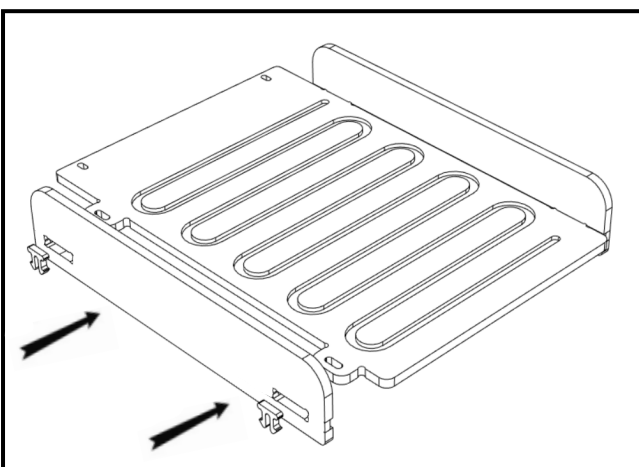
18 Place the **Perches** in the cutouts in the side walls and secure with Linch Pins. Note: Omit the Perches if you have a non perching breed of Chickens.



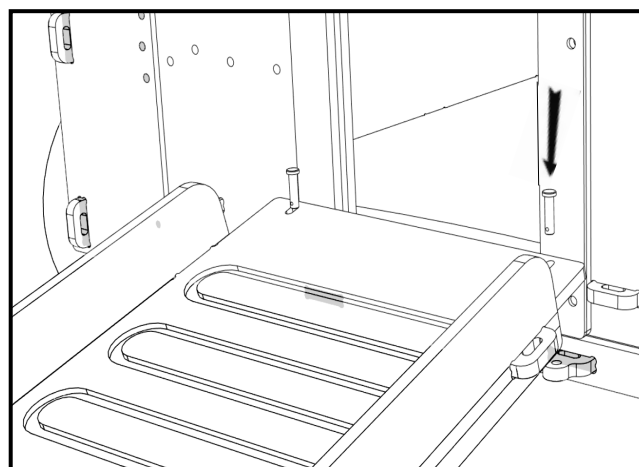
19 Fit the **Lower Roof Panels** using Linch Pins, Starting at the bottom edge. The letter T denotes the top edge of the **Lower roof panel**. Note: Do not fasten the top edge yet.



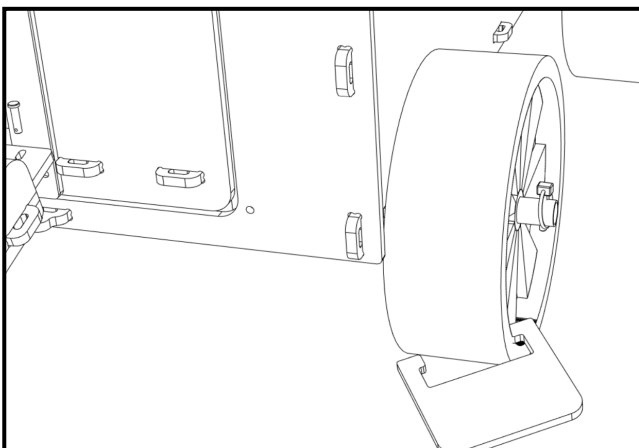
20 Fit the **Roof** using Linch Pins Starting at the top working downwards evenly. Finish at the bottom edge ensuring the roof fits over the top of the lower roof panels.



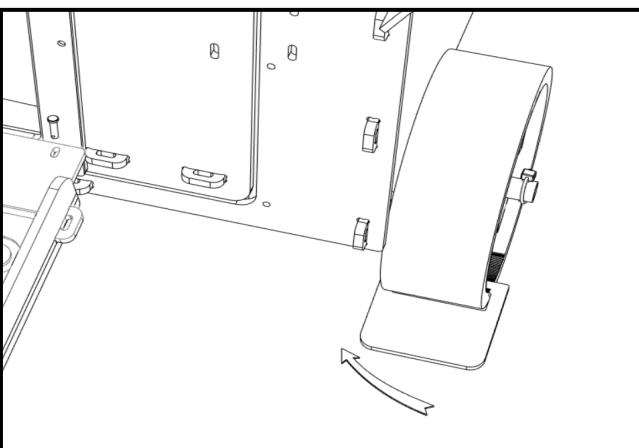
21 Fit the **Side supports** to the ramp ensuring the Groove faces inwards and attach with 4 Pi clips.



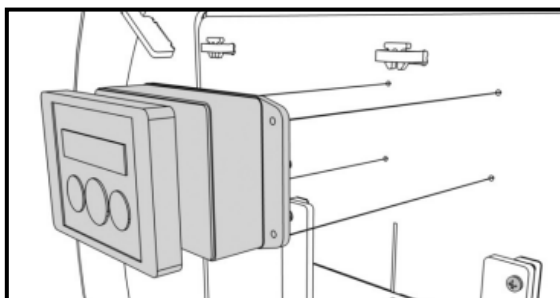
22 Fit the **Ramp** using **Long Clevis Pins** and **R clips**. Note : The Ramp is optional.



23 Fit the **Wheel Stop** by hooking the larger tab to the outer side of the wheel.



24 Turn the **Wheel Stop** to the left connecting it to the wheel. Repeat for the rear wheel. **Note:** To take off repeat process in reverse.



Optional Automatic Door: If you have purchased a Door opener use the Pre drilled holes on the Front Door. Instructions for setting it up are provided with the opener itself.