



**1190 HH/SX**  
**Powertrain Parts**

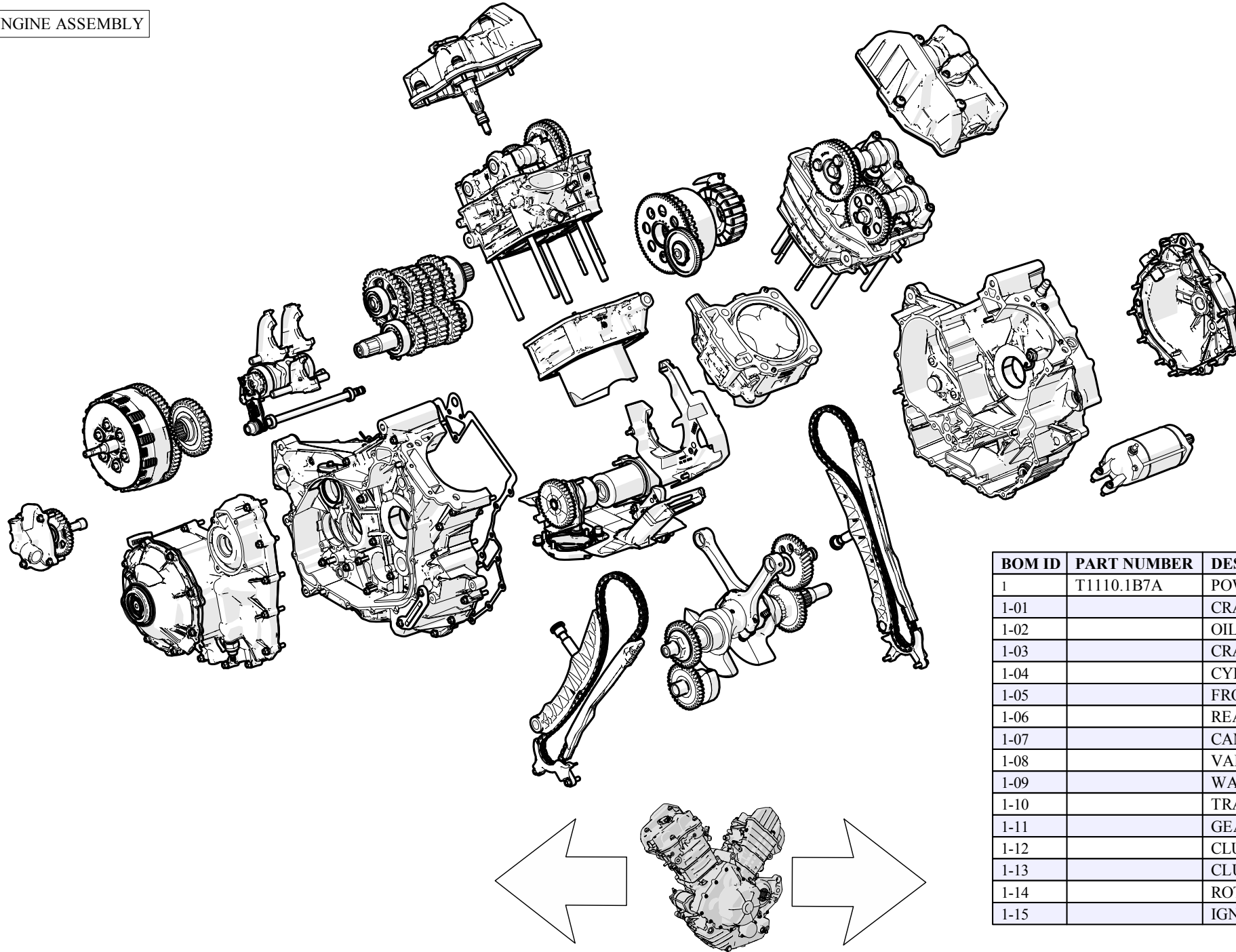
To search for items by name or part number  
used CTRL F and enter the word or words you are searching for and  
then hit ENTER

Torque values are called out next to fasteners

**2016-23**

Version 06-12-2023

ENGINE ASSEMBLY



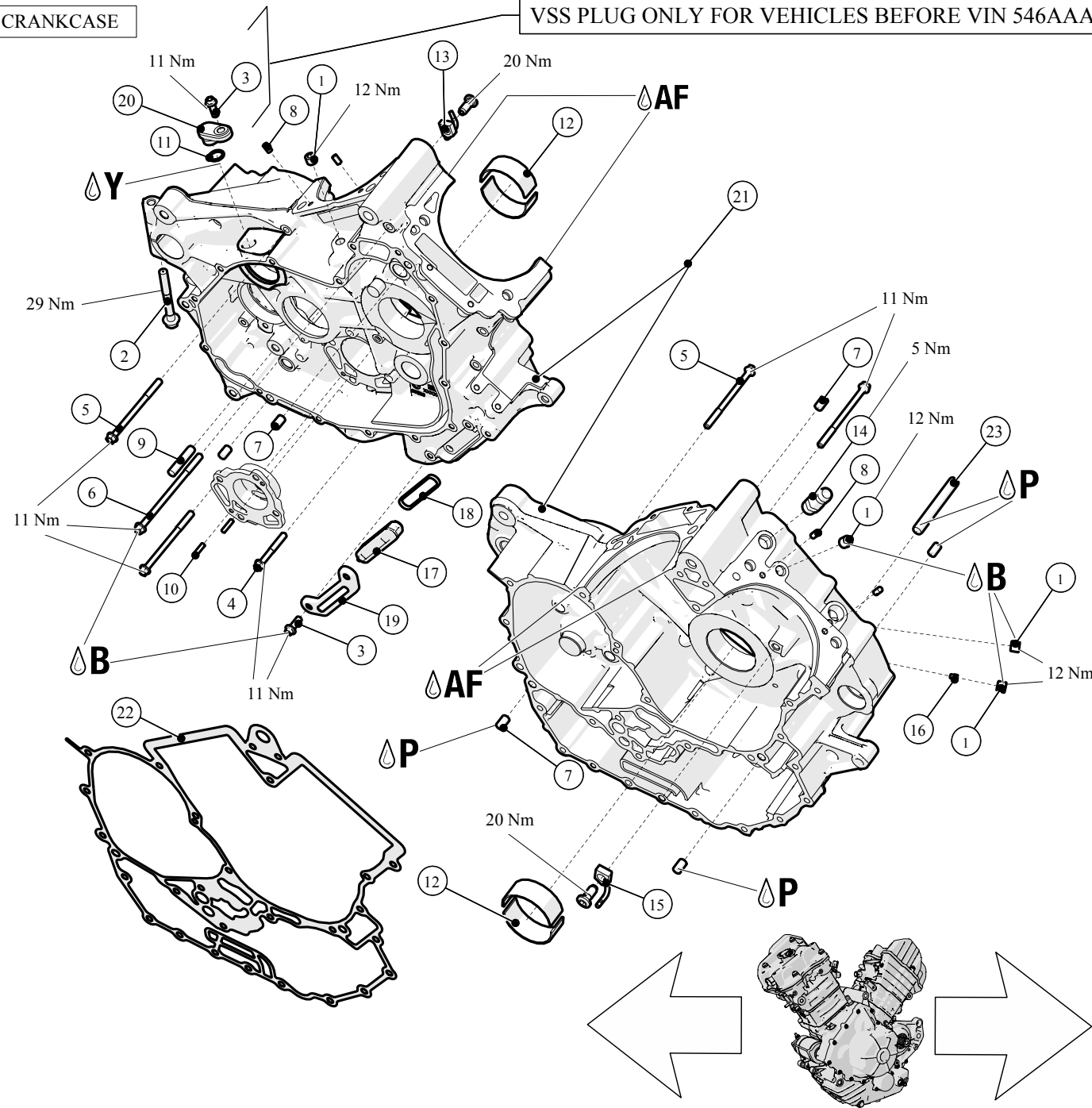
BOM ID	PART NUMBER	DESCRIPTION	QTY
1	T1110.1B7A	POWERTRAIN ASSEMBLY	1
1-01		CRANKCASE	1
1-02		OIL PUMP	1
1-03		CRANKSHAFT & BALANCE DRIVE	1
1-04		CYLINDER & PISTON	1
1-05		FRONT CYLINDER HEAD, CAMSHAFTS & VALVES	1
1-06		REAR CYLINDER HEAD, CAMSHAFTS & VALVES	1
1-07		CAM DRIVE SYSTEM	1
1-08		VALVE COVER	1
1-09		WATER PUMP	1
1-10		TRANSMISSION GEARS	1
1-11		GEAR SHIFTER	1
1-12		CLUTCH	1
1-13		CLUTCH COVER	1
1-14		ROTOR, STATOR & STARTER MOTOR	1
1-15		IGNITION COVER	1

CRANKCASE

VSS PLUG ONLY FOR VEHICLES BEFORE VIN 546AAAG27EE000007

AF...LOCTITE SUPERFLEX BLUE RTV  
 B ....LOCTITE 243  
 P.....JET-LUBE MP-50 MOLY PASTE  
 Y.....ASSEMBLY LUBE

APPLY LOCTITE SUPERFLEX BLUE RTV  
 TO CASE GASKET EDGES BEFORE  
 INSTALLING CYLINDER BASE GASKETS

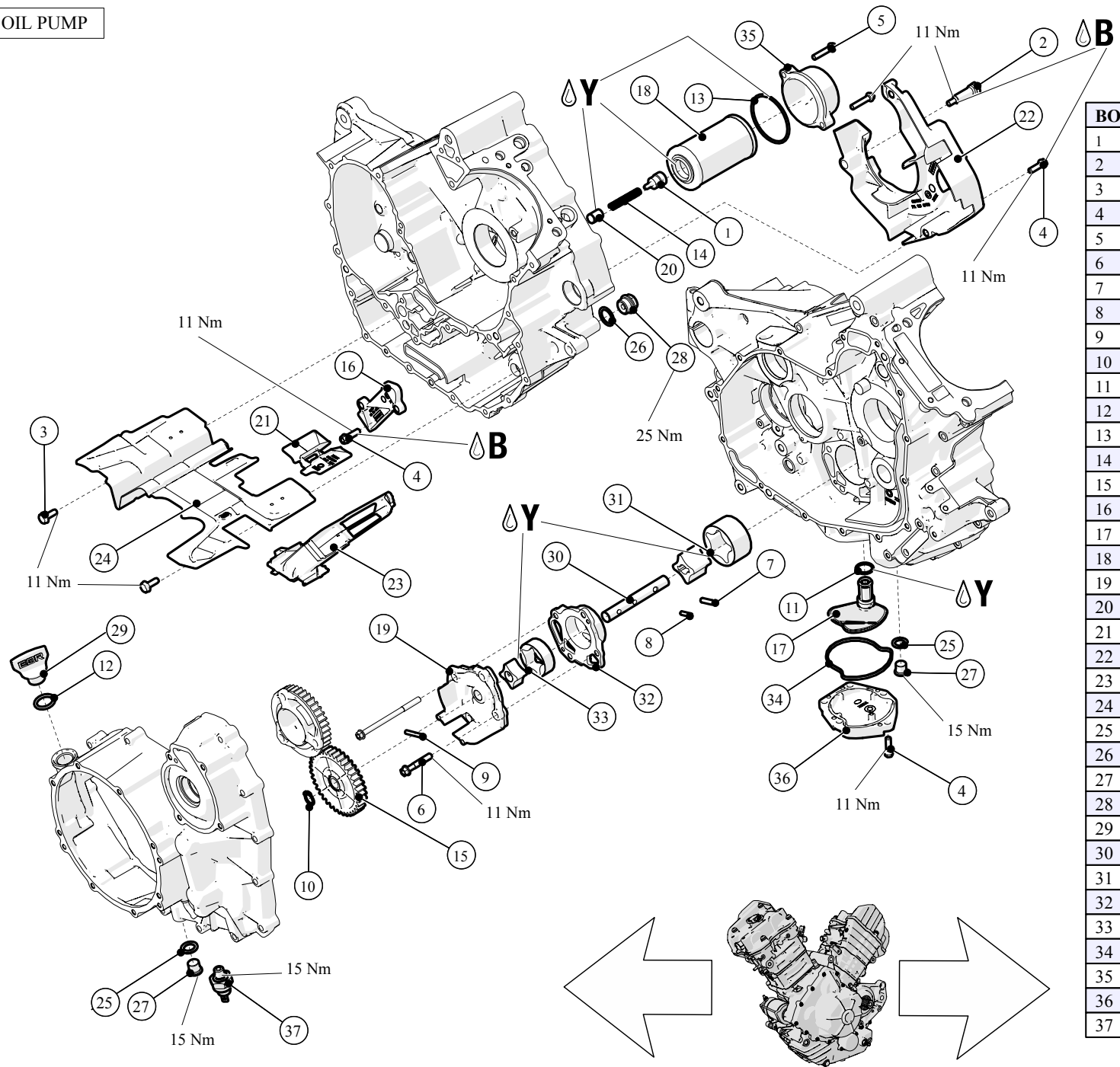


BOM ID	PART NUMBER	DESCRIPTION	QTY
1	CA0032.1B6	BOLT, PLUG M10X1	4
2	CA0041.1B6A	BOLT M16X1.5	1
3	CA0060.1B6	BOLT, M6X16	3
4	CA0066.1B6A	BOLT, 6X45	8
5	CA0068.1B6	BOLT, M6X85	17
6	CA0069.1B6	BOLT, M6X105	2
7	CC0001.1B6	PIN 8X12	6
8	CC0002.1B6	PIN 5X10	4
9	CC0003.1B6	PIN 6X40	1
10	CC0005.1B6	PIN 4X15.8	2
11	CF0050.1B7	O-RING, 12.5X1.8	1
12	E0027.1B6	BEARING HALF	4
13	Q0015.1B6	JET, OIL, REAR ASSY	1
14	Q0041.1B6A	NIPPLE M14X1.5	1
15	Q0075.1B6	JET, OIL, FRONT ASSY	1
16	Q0095.08AZ	JET 70	1
17	Q0270.1B6	GLASS, INSPECTION	1
18	Q0271.1B6	GASKET, INSPECTION GLASS	1
19	Q0309.1B6	PLATE, INSPECTION GLASS RETAINING	1
20	T0121.1B7	PLUG, VSS BLOCK-OFF	1
21	W0001.1B7AYDX	CRANKCASE, ASSY, GUNSMOKE	1
22	W0005.1B6	GASKET, CRANKCASE	1
23	W0101.1B6	PIN, NEEDLE	1

SV0002.1B7 REV A

OIL PUMP

B...LOCTITE 243  
Y...ASSEMBLY LUBE



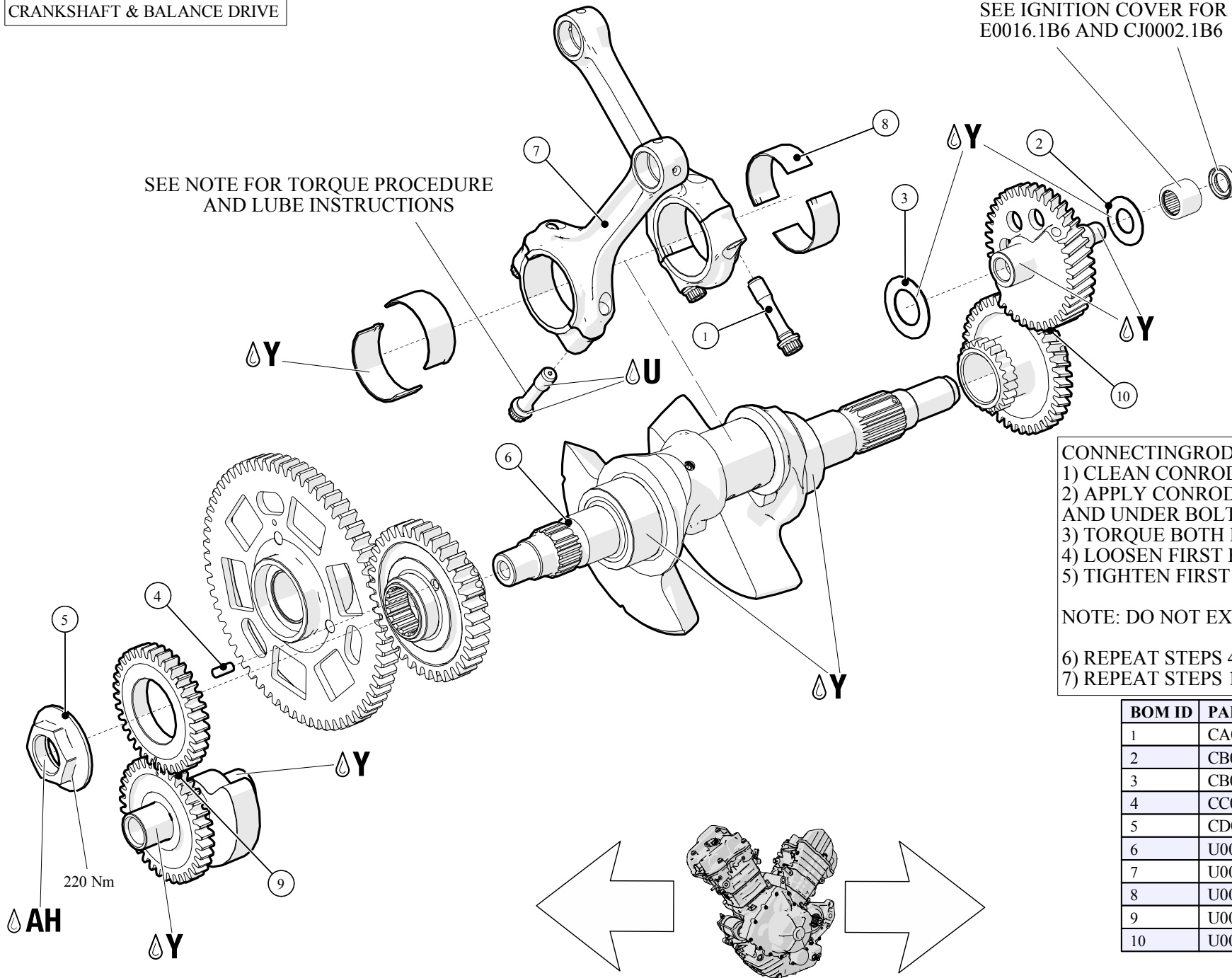
BOM ID	PART NUMBER	DESCRIPTION	QTY
1	CA0033.1B6	BOLT, PLUG, M16X1.5	1
2	CA0040.1B6	DISTANCE SCREW M6	1
3	CA0049.1B6	TAPTITE SCREW M6X16	2
4	CA0061.1B6A	BOLT, M6X20	9
5	CA0063.1B6A	BOLT, M6X30	2
6	CA0064.1B6	BOLT, M6X35	2
7	CC0004.1B6	PIN, 5X16.8	1
8	CC0005.1B6	PIN, 4X15.8	1
9	CC0006.1B6	PIN, 4X29.8	1
10	CE0001.1B6	RING, RETAINING, 12X1	1
11	CF0001.1B6	O-RING, OIL STRAINER	1
12	CF0002.1B6	O-RING, 17X3	1
13	CF0003.1B6	O-RING, OIL FILTER	1
14	CG0001.1B6	SPRING, L46	1
15	Q0054.1B6	GEAR, OIL PUMP 37T	1
16	Q0062.1B6	COVER, OIL DUCT	1
17	Q0063.1B6	STRAINER, OIL (INCLUDES O-RING)	1
18	Q0064.1B6	FILTER, OIL	1
19	Q0065.1B6	COVER, OIL PUMP	1
20	Q0080.1B6	VALVE, PRESSURE RETAINING	1
21	Q0081.1B6	ADAPTER, OIL SUCTION	1
22	Q0082.1B6	COVER, OIL DUCT	1
23	Q0083.1B6	COLLECTOR, OIL	1
24	Q0084.1B6	BAFFLE, OIL SUMP	1
25	Q0091.1B6	SEALING RING, OIL DRAIN PLUG 1, M12	2
26	Q0092.1B6	SEALING RING, OIL DRAIN PLUG 2, M18	1
27	Q0096.1B6	BOLT, PLUG, M12	2
28	Q0097.1B6	PLUG, M18	1
29	Q0111.1B7	PLUG, OIL FILLER	1
30	Q0360.1B6	SHAFT, OIL PUMP	1
31	Q0361.1B6	ROTOR SET, SCAVENGE	1
32	Q0362.1B6	HOUSING, OIL PUMP	1
33	Q0363.1B6	ROTOR SET, PRESSURE	1
34	R0007.1B6	GASKET, OIL STRAINER COVER	1
35	R0024.1B6YDX	COVER, OIL FILTER	1
36	R0025.1B6YDX	COVER, OIL STRAINER	1
37	Y0382.1B6	SWITCH, OIL PRESSURE	1

CRANKSHAFT & BALANCE DRIVE

AH...LOCTITE 272  
 U.....CONROD LUBE C0711.14A0  
 Y.....ASSEMBLY LUBE

SEE NOTE FOR TORQUE PROCEDURE  
 AND LUBE INSTRUCTIONS

SEE IGNITION COVER FOR  
 E0016.1B6 AND CJ0002.1B6

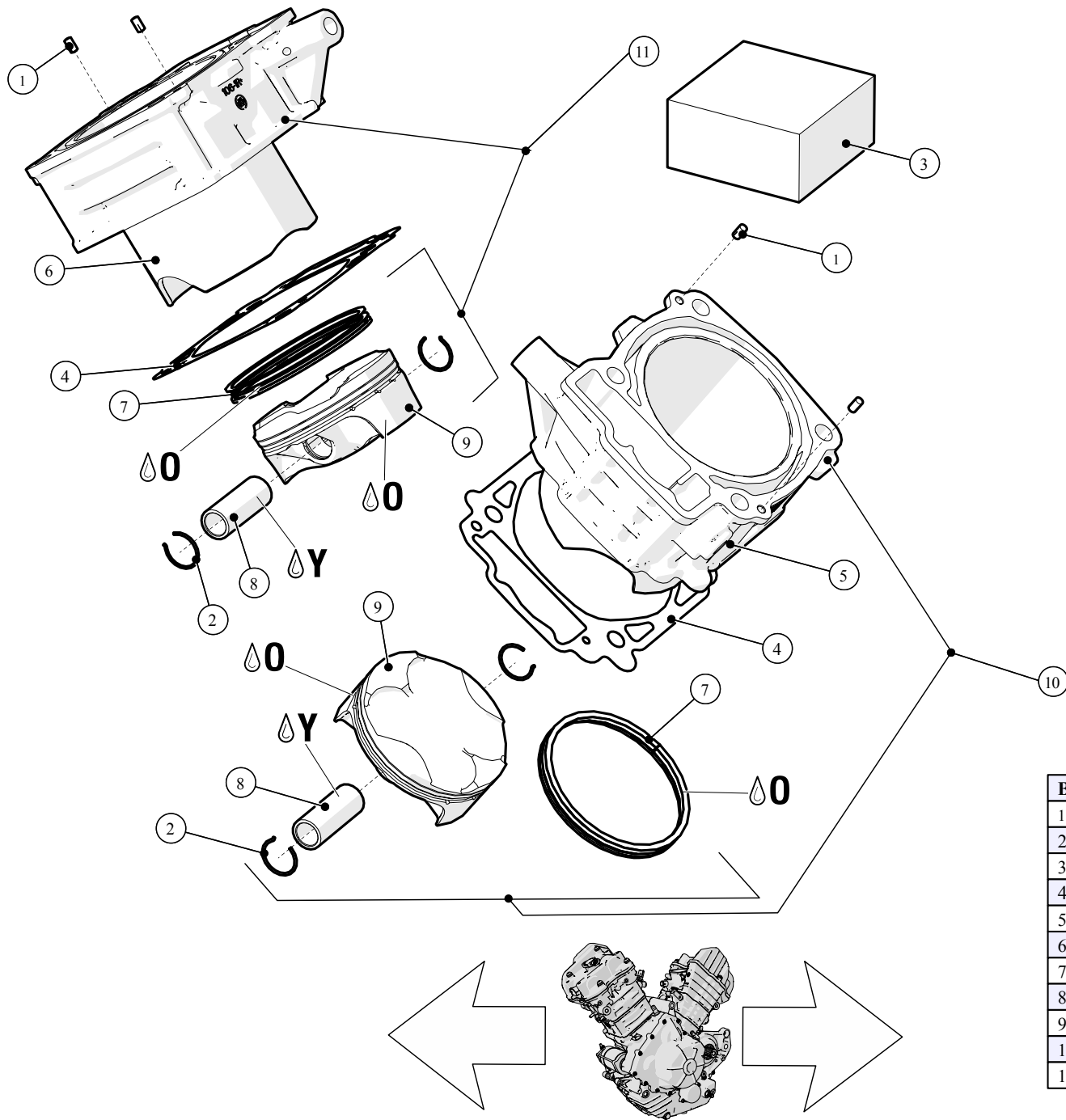


CONNECTINGROD BOLT TORQUE PROCEDURE:  
 1) CLEAN CONROD THREADS, BOLT THREADS, AND UNDER BOLT HEAD  
 2) APPLY CONROD ASSEMBLY LUBE C0711.14A0 TO BOLT THREADS  
 AND UNDER BOLT HEAD  
 3) TORQUE BOTH BOLTS TO 15Nm  
 4) LOOSEN FIRST BOLT AND SET ELONGATION GAUGE  
 5) TIGHTEN FIRST BOLT TO AN ELONGATION OF 0.130mm - 0.140mm  
 NOTE: DO NOT EXCEED 60Nm  
 6) REPEAT STEPS 4 AND 5 FOR SECOND BOLT  
 7) REPEAT STEPS 1-6 FOR SECOND CONNECTING ROD

BOM ID	PART NUMBER	DESCRIPTION	QTY
1	CA0034.1B7	BOLT, CONNECTING ROD	4
2	CB0028.1B6	WASHER, THRUST, 15.2/30/1	1
3	CB0034.1B6	WASHER, THRUST, 22.2/38/1	1
4	CC0007.1B6	DRIVE PIN, 5X11.8	1
5	CD0033.1B6	NUT, M24	1
6	U0001A.1B7	CRANKSHAFT ASSY	1
7	U0002A.1B7	CONNECTING ROD, ASSY	2
8	U0010.1B6	BEARING, PLAIN	4
9	U0040.1B6	GEAR SET, BALANCER, BOTTOM	1
10	U0041.1B6	GEAR SET, BALANCER, TOP	1

CYLINDER & PISTON

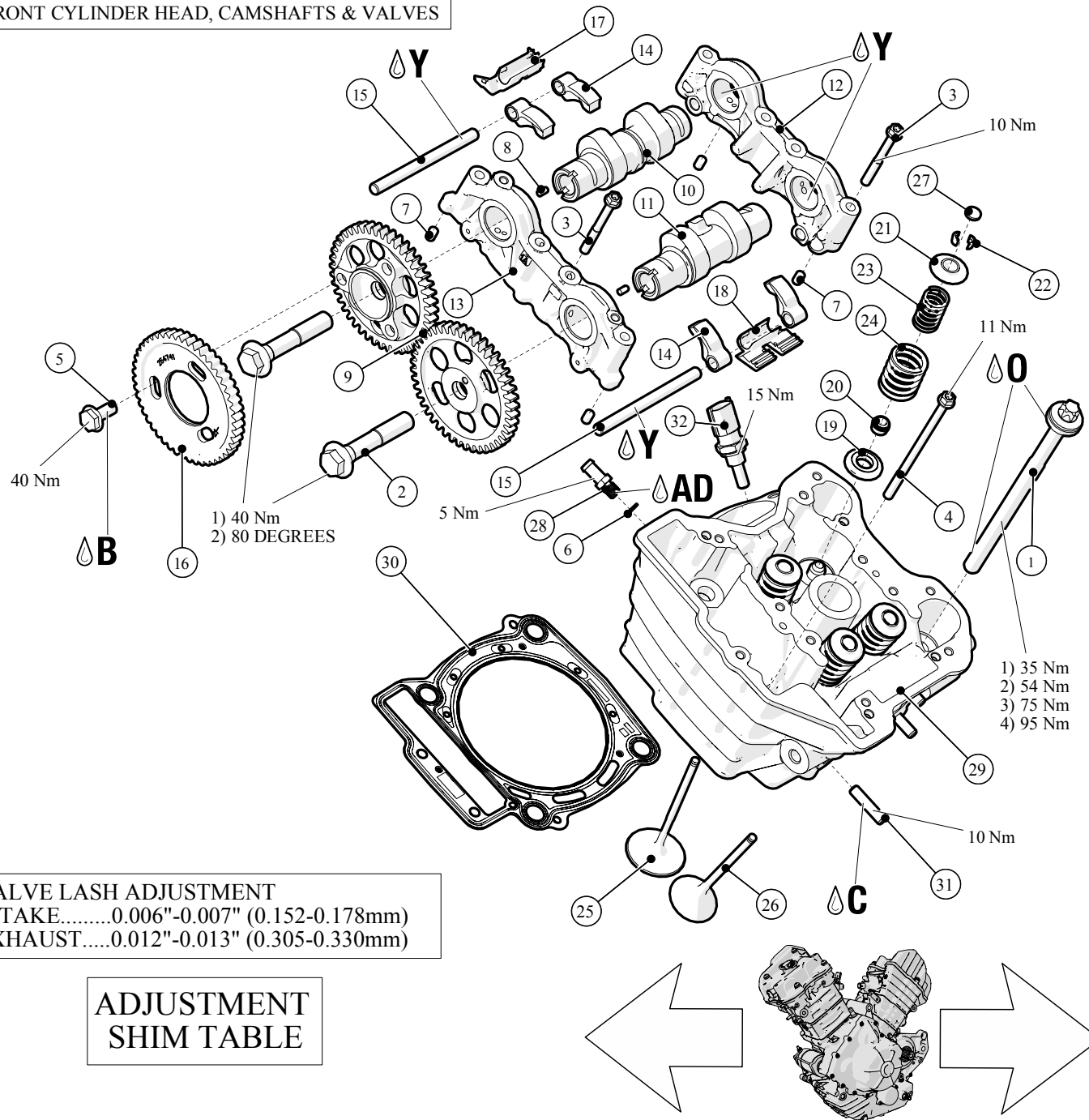
Y...ASSEMBLY LUBE  
O...ENGINE OIL



BOM ID	PART NUMBER	DESCRIPTION	QTY
1	CC0002.1B6	PIN 5X10	4
2	CE0005.1B7	CIRCLIP, WRIST PIN	4
3	T1001.1B7	GASKET KIT, COMPLETE	1
4	V0025.1B6	GASKET, CYLINDER BASE	2
5	V0040.1B7A	CYLINDER, FRONT	1
6	V0041.1B7A	CYLINDER, REAR	1
7	V0050.1B7	PISTON RING SET	2
8	V0061.1B7	WRIST PIN	2
9	V0200.1B7	PISTON ASSY	2
10	V0240.1B7	CYLINDER & PISTON, FRONT ASSY	1
11	V0241.1B7	CYLINDER & PISTON, REAR ASSY	1

SV0005.1B7 REV A

FRONT CYLINDER HEAD, CAMSHAFTS & VALVES



AD...LOCTITE 592  
 B.....LOCTITE 243  
 C.....LOCTITE 648  
 O.....ENGINE OIL  
 Y.....ASSEMBLY LUBE

BOM ID	PART NUMBER	DESCRIPTION	QTY
1	CA0035.1B7	BOLT, M11	1
2	CA0036.1B6	BOLT, M12X1X65	2
3	CA0067.1B6	BOLT, M6X55	2
4	CA0069.1B6	BOLT, M6X105	1
5	CA0111.1B6A	BOLT, M8X18	1
6	CB0070.10B5	WASHER, SEALING, 8X11.5X1	1
7	CC0008.1B6	PIN, 6X8	4
8	CC0009.1B6	PIN, 4X8	2
9	F1040.1B7	GEAR SET, CAMSHAFT	1
10	F0050A.1B7	CAMSHAFT, INTAKE, FRONT	1
11	F0052A.1B7	CAMSHAFT, EXHAUST, FRONT	1
12	F0060.1B6	BRACKET, CAMSHAFT 2 FRONT	1
13	F0061.1B6	BRACKET, CAMSHAFT 1 FRONT	1
14	F0070.1B6	FINGER FOLLOWER	4
15	F0080.1B6	SHAFT, FINGER FOLLOWER	2
16	F0085.1B6	SPROCKET, CAMSHAFT	1
17	F0086.1B6	SPACER, INTAKE	1
18	F0087.1B6	SPACER, EXHAUST	1
19	F0100.1B6	SUPPORT, VALVE SPRING	4
20	F0101.1B6	SLEAL, VALVE STEM	4
21	F0121.1B6	RETAINER, VALVE SPRING	4
22	F0122.1B6	KEEPER, VALVE SPRING	8
23	F0123.10B5	SPRING, VALVE, INNER	4
24	F0124.10B5	SPRING, VALVE, OUTER	4
25	F0140.1B6	VALVE, INTAKE	2
26	F0141.1B6	VALVE, EXHAUST	2
27		SEE SHIM TABLE	4
28	P0743F.1B7	ORIFICE, BYPASS PORT	1
29	V0001.1B7	CYLINDER HEAD, FRONT	1
30	V0026.1B6	GASKET, CYLINDER HEAD	1
31	V0170.1B6	STUD	4
32	Y0605.1B7	SENSOR, COOLANT TEMP	1

VALVE LASH ADJUSTMENT  
 INTAKE.....0.006"-0.007" (0.152-0.178mm)  
 EXHAUST.....0.012"-0.013" (0.305-0.330mm)

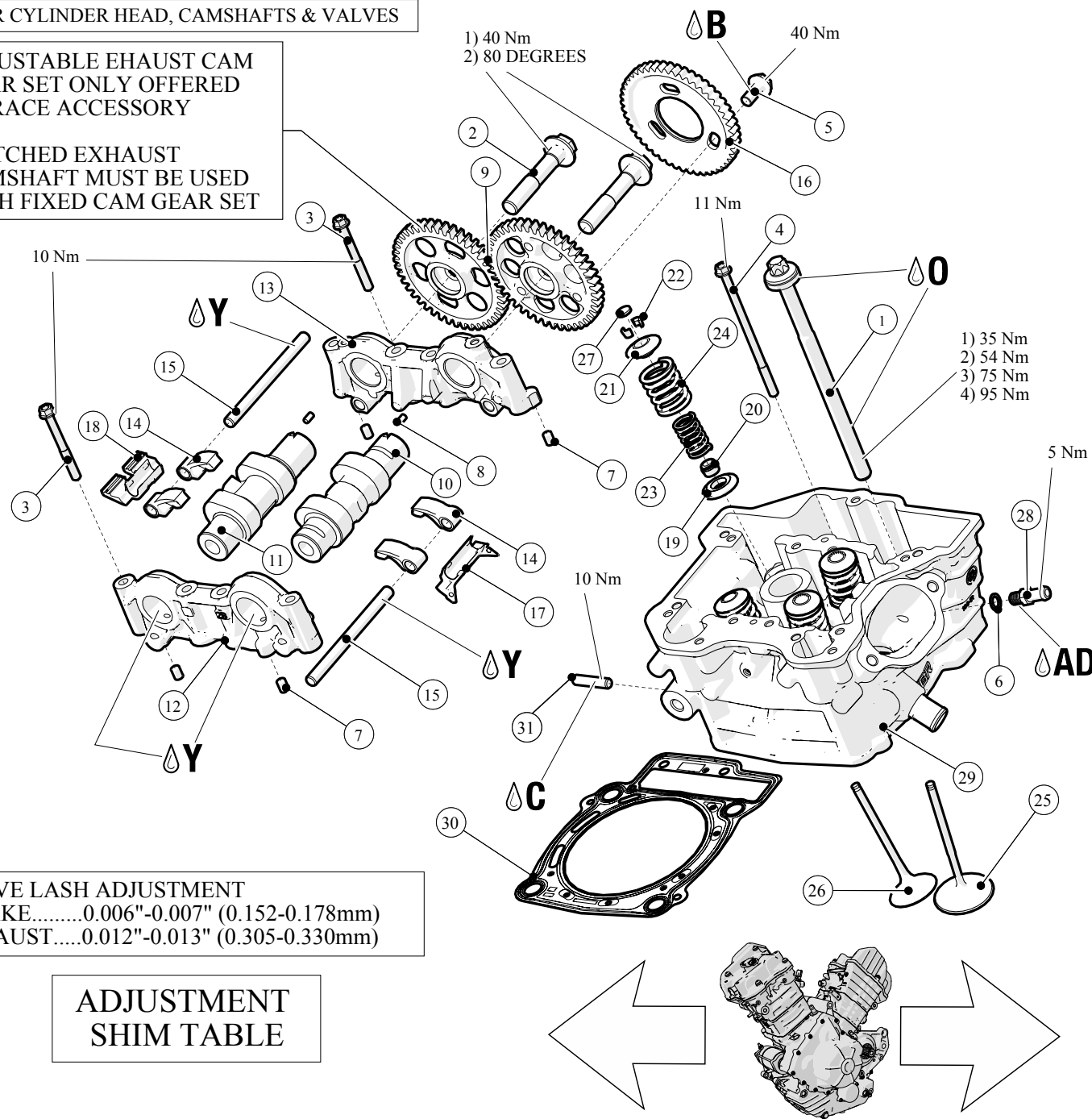
ADJUSTMENT  
 SHIM TABLE

REAR CYLINDER HEAD, CAMSHAFTS & VALVES

ADJUSTABLE EXHAUST CAM  
GEAR SET ONLY OFFERED  
AS RACE ACCESSORY

MATCHED EXHAUST  
CAMSHAFT MUST BE USED  
WITH FIXED CAM GEAR SET

AD...LOCTITE 592  
B.....LOCTITE 243  
C.....LOCTITE 648  
O.....ENGINE OIL  
Y.....ASSEMBLY LUBE



BOM ID	PART NUMBER	DESCRIPTION	QTY
1	CA0035.1B7	BOLT, M11	4
2	CA0036.1B6	BOLT, M12X1X65	2
3	CA0067.1B6	BOLT, M6X55	8
4	CA0069.1B6	BOLT, M6X105	2
5	CA0111.1B6A	BOLT, M8X18	3
6	CB0070.10B5	WASHER, SEALING, 8X11.5X1	1
7	CC0008.1B6	PIN, 6X8	4
8	CC0009.1B6	PIN, 4X8	2
9	F0040.1B6	GEAR SET, CAMSHAFT	1
10	F0051A.1B7	CAMSHAFT, INTAKE, REAR	1
11	F0053A.1B7A	CAMSHAFT, EXHAUST, REAR	1
12	F0062.1B6	BRACKET, CAMSHAFT 2 REAR	1
13	F0063.1B6	BRACKET, CAMSHAFT 1 REAR	1
14	F0070.1B6	FINGER FOLLOWER	4
15	F0080.1B6	SHAFT, FINGER FOLLOWER	2
16	F0085.1B6	SPROCKET, CAMSHAFT	1
17	F0086.1B6	SPACER, INTAKE	1
18	F0087.1B6	SPACER, EXHAUST	1
19	F0100.1B6	SUPPORT, VALVE SPRING	4
20	F0101.1B6	SEAL, VALVE STEM	4
21	F0121.1B6	RETAINER, VALVE SPRING	4
22	F0122.1B6	KEEPER, VALVE SPRING	8
23	F0123.10B5	SPRING, VALVE, INNER	4
24	F0124.10B5	SPRING, VALVE, OUTER	4
25	F0140.1B6	VALVE, INTAKE	2
26	F0141.1B6	VALVE, EXHAUST	2
27		SEE SHIM TABLE	4
28	P0743F.1B7	ORIFICE, BYPASS PORT	1
29	V0002.1B7	CYLINDER HEAD, REAR	1
30	V0026.1B6	GASKET, CYLINDER HEAD	1
31	V0170.1B6	STUD	4

VALVE LASH ADJUSTMENT  
INTAKE.....0.006"-0.007" (0.152-0.178mm)  
EXHAUST.....0.012"-0.013" (0.305-0.330mm)

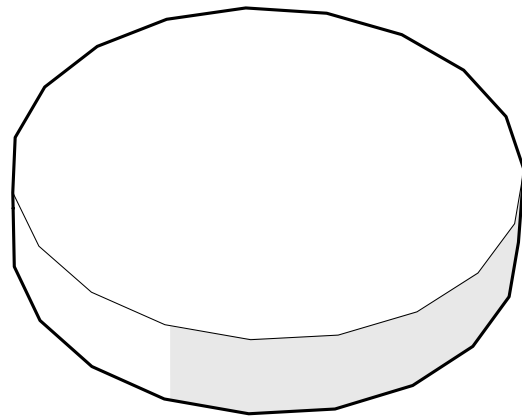
ADJUSTMENT  
SHIM TABLE



VALVE ADJUSTMENT SHIMS

EACH KIT CONTAINS 5 SHIMS

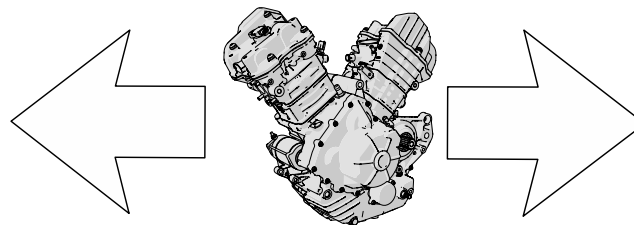
F2200.1B6 CONTAINS 2 OF EVERY KIT = 10 OF EVERY SHIM



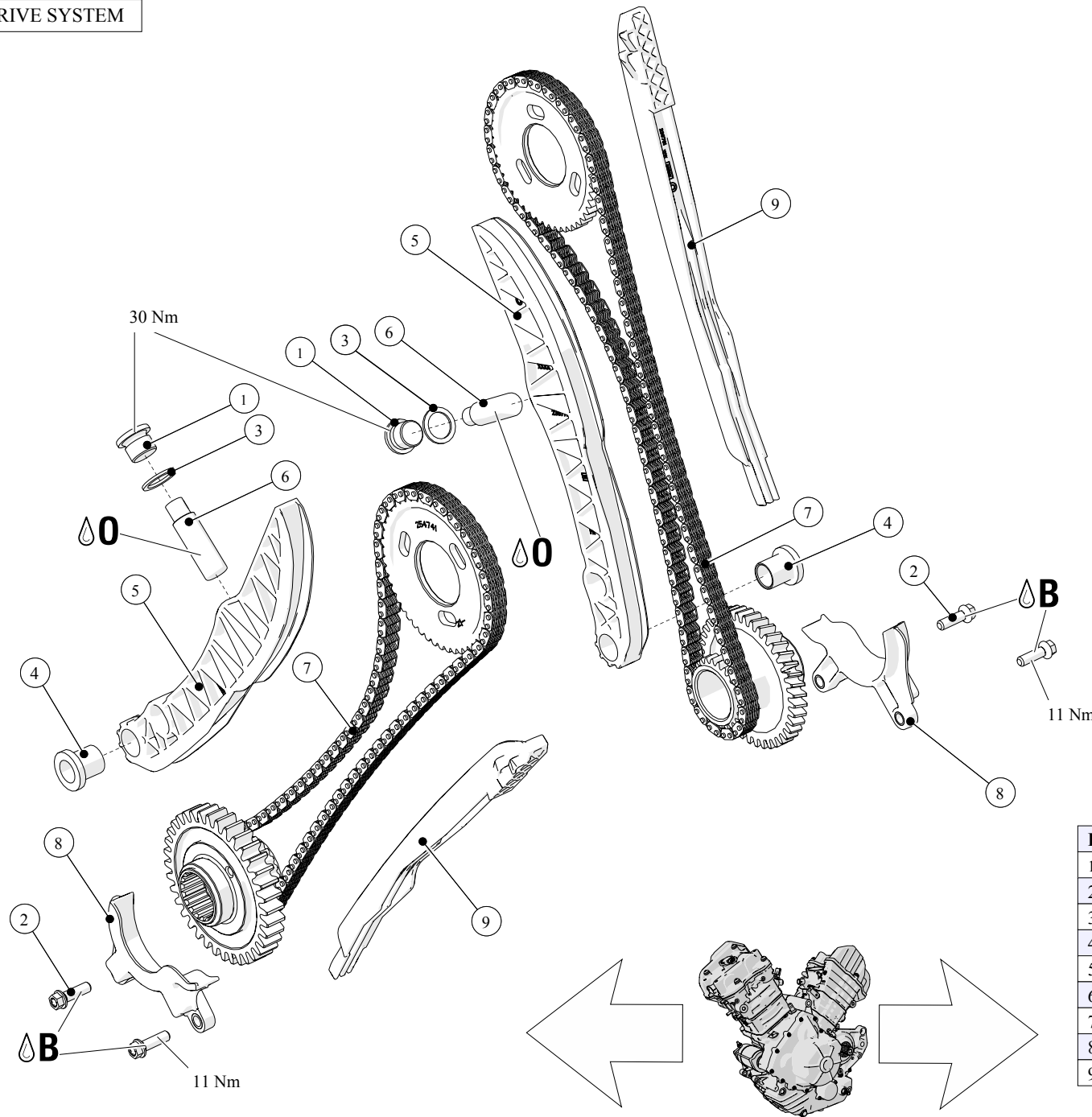
BACK TO REAR CYLINDER HEAD,  
CAMSHAFTS & VALVES

BACK TO FRONT CYLINDER HEAD,  
CAMSHAFTS & VALVES

VALVE LASH ADJUSTMENT  
INTAKE.....0.006"-0.007" (0.152-0.178mm)  
EXHAUST.....0.012"-0.013" (0.305-0.330mm)

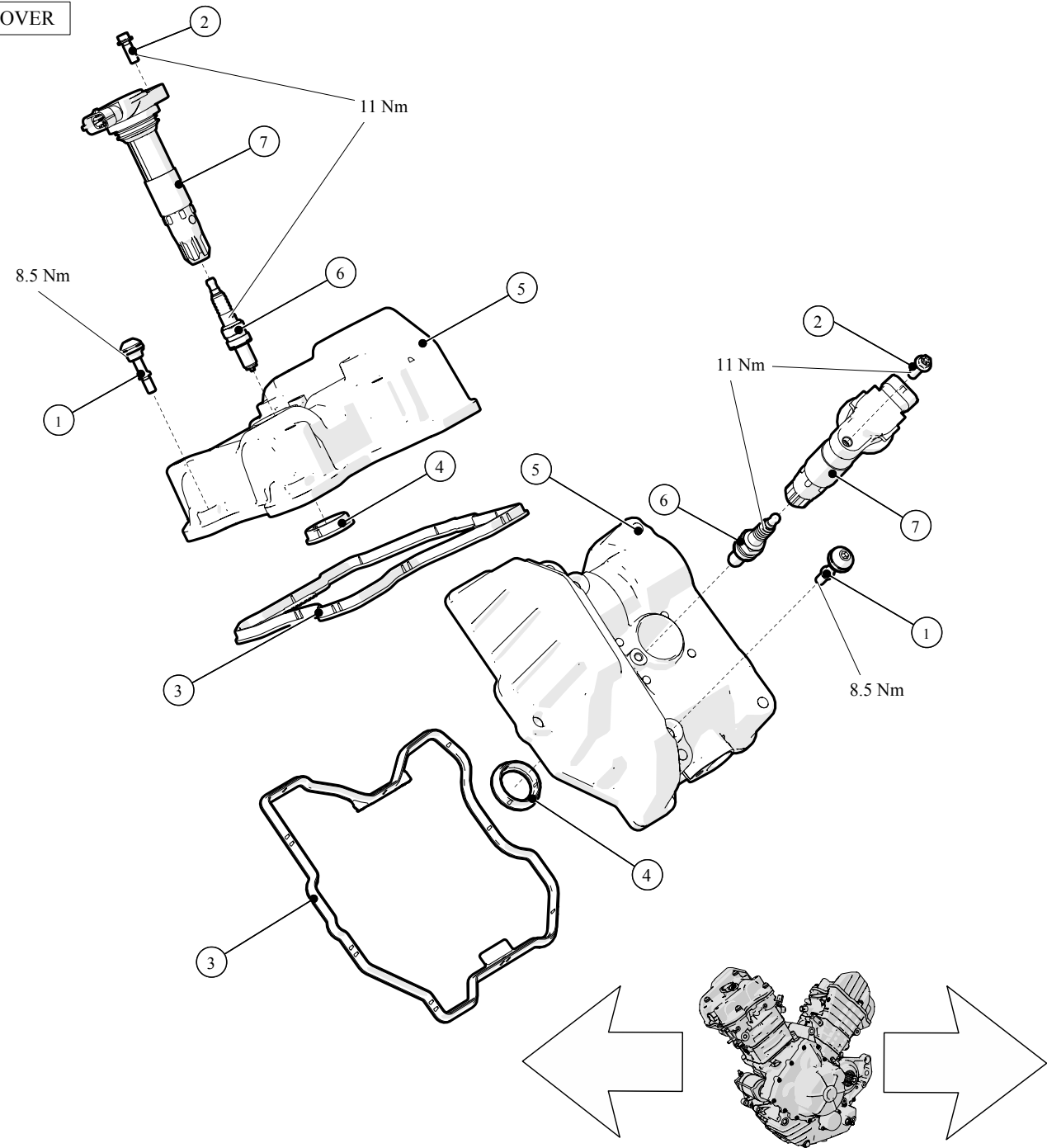


BOM ID	PART NUMBER	DESCRIPTION	QTY
27	F2200.1B6	KIT, VALVE ADJUSTMENT SHIMS	1
27-01	F1188.1B6	KIT, ADJUSTMENT SHIM 2.025 (5 PACK)	1
27-02	F1189.1B6	KIT, ADJUSTMENT SHIM 2.075 (5 PACK)	1
27-03	F1190.1B6	KIT, ADJUSTMENT SHIM 2.125 (5 PACK)	1
27-04	F1191.1B6	KIT, ADJUSTMENT SHIM 2.175 (5 PACK)	1
27-05	F1192.1B6	KIT, ADJUSTMENT SHIM 2.225 (5 PACK)	1
27-06	F1193.1B6	KIT, ADJUSTMENT SHIM 2.275 (5 PACK)	1
27-07	F1194.1B6	KIT, ADJUSTMENT SHIM 2.000 (5 PACK)	1
27-08	F1195.1B6	KIT, ADJUSTMENT SHIM 2.050 (5 PACK)	1
27-09	F1196.1B6	KIT, ADJUSTMENT SHIM 2.100 (5 PACK)	1
27-10	F1197.1B6	KIT, ADJUSTMENT SHIM 2.150 (5 PACK)	1
27-11	F1198.1B6	KIT, ADJUSTMENT SHIM 2.200 (5 PACK)	1
27-12	F1199.1B6	KIT, ADJUSTMENT SHIM 2.250 (5 PACK)	1
27-13	F1200.1B6	KIT, ADJUSTMENT SHIM 2.300 (5 PACK)	1
27-14	F1201.1B6	KIT, ADJUSTMENT SHIM 2.325 (5 PACK)	1
27-15	F1202.1B6	KIT, ADJUSTMENT SHIM 2.350 (5 PACK)	1
27-16	F1203.1B6	KIT, ADJUSTMENT SHIM 2.375 (5 PACK)	1
27-17	F1204.1B6	KIT, ADJUSTMENT SHIM 2.400 (5 PACK)	1
27-18	F1205.1B6	KIT, ADJUSTMENT SHIM 2.425 (5 PACK)	1
27-19	F1206.1B6	KIT, ADJUSTMENT SHIM 2.450 (5 PACK)	1
27-20	F1207.1B6	KIT, ADJUSTMENT SHIM 2.475 (5 PACK)	1
27-21	F1208.1B6	KIT, ADJUSTMENT SHIM 2.500 (5 PACK)	1
27-22	F1209.1B6	KIT, ADJUSTMENT SHIM 2.525 (5 PACK)	1
27-23	F1210.1B6	KIT, ADJUSTMENT SHIM 2.550 (5 PACK)	1
27-24	F1211.1B6	KIT, ADJUSTMENT SHIM 2.575 (5 PACK)	1
27-25	F1212.1B6	KIT, ADJUSTMENT SHIM 2.600 (5 PACK)	1
27-26	F1213.1B6	KIT, ADJUSTMENT SHIM 2.625 (5 PACK)	1
27-27	F1214.1B6	KIT, ADJUSTMENT SHIM 2.650 (5 PACK)	1
27-28	F1215.1B6	KIT, ADJUSTMENT SHIM 2.675 (5 PACK)	1
27-29	F1216.1B6	KIT, ADJUSTMENT SHIM 2.700 (5 PACK)	1
27-30	F1217.1B6	KIT, ADJUSTMENT SHIM 2.725 (5 PACK)	1
27-31	F1218.1B6	KIT, ADJUSTMENT SHIM 2.750 (5 PACK)	1
27-32	F1219.1B6	KIT, ADJUSTMENT SHIM 2.775 (5 PACK)	1
27-33	F1220.1B6	KIT, ADJUSTMENT SHIM 2.800 (5 PACK)	1
27-34	F1221.1B6	KIT, ADJUSTMENT SHIM 2.825 (5 PACK)	1
27-35	F1222.1B6	KIT, ADJUSTMENT SHIM 2.850 (5 PACK)	1
27-36	F1223.1B6	KIT, ADJUSTMENT SHIM 2.875 (5 PACK)	1
27-37	F1224.1B6	KIT, ADJUSTMENT SHIM 2.900 (5 PACK)	1
27-38	F1225.1B6	KIT, ADJUSTMENT SHIM 2.925 (5 PACK)	1
27-39	F1226.1B6	KIT, ADJUSTMENT SHIM 2.950 (5 PACK)	1
27-40	F1227.1B6	KIT, ADJUSTMENT SHIM 2.975 (5 PACK)	1



BOM ID	PART NUMBER	DESCRIPTION	QTY
1	CA0039.1B6A	BOLT, M16X1.5	2
2	CA0061.1B6A	BOLT, 6X20	4
3	CJ0003.1B6	RING, SEALING, 16X22	2
4	E0029.1B6	SLEEVE	2
5	F0020.1B6	GUIDE, CHAIN TENSION	2
6	F0021.1B6	TENSIONER, CHAIN ASSY	2
7	F0055.1B6	CHAIN, CAMSHAFT	2
8	F0058.1B6	GUIDE, CHAIN	2
9	F0059.1B6	GUIDE, CHAIN	2

VALVE COVER



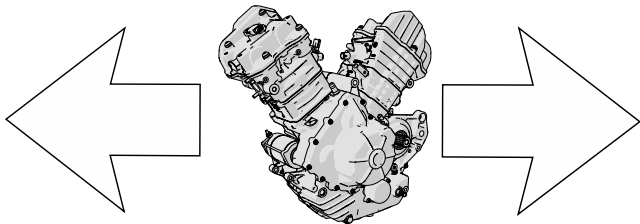
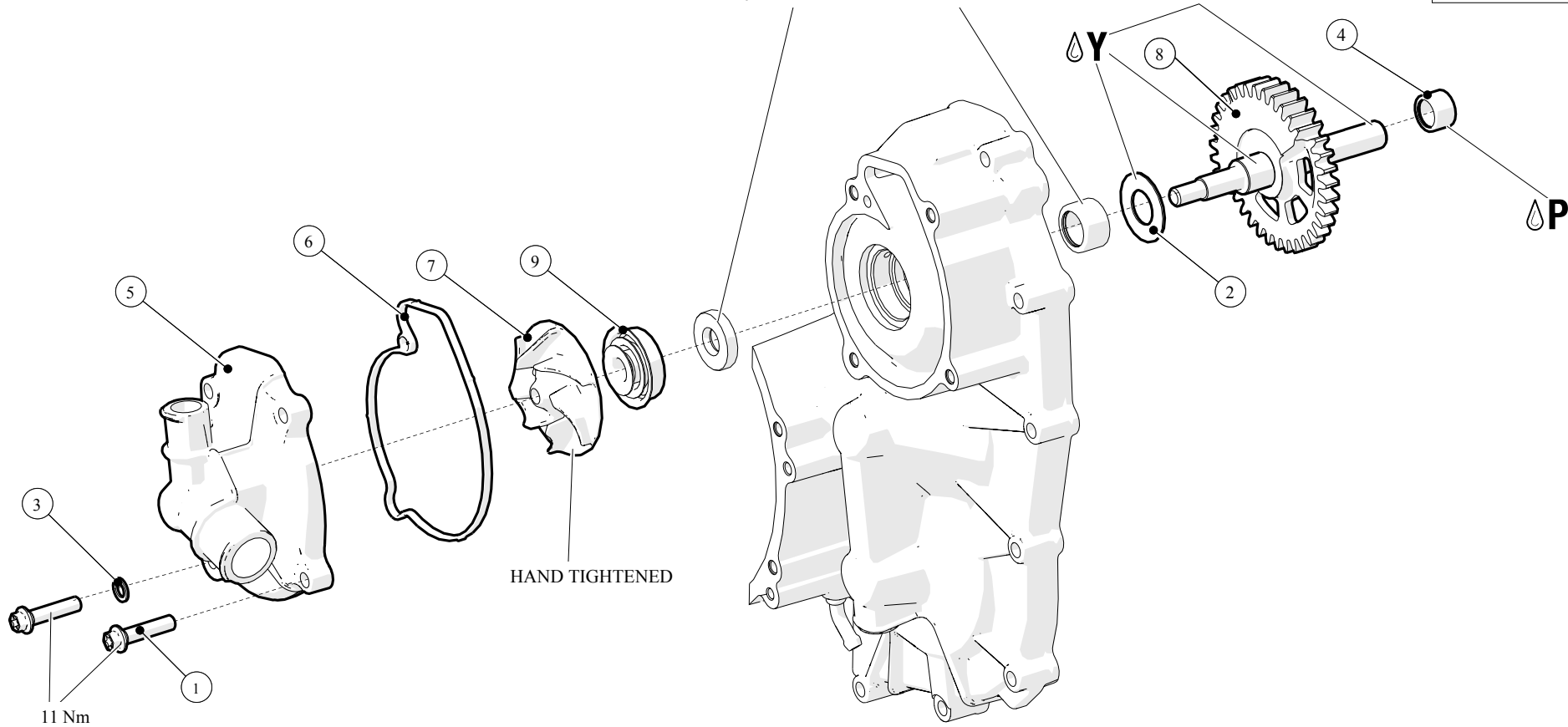
BOM ID	PART NUMBER	DESCRIPTION	QTY
1	CA0037.1B6	BOLT, M6X23	10
2	CA0060.1B6	BOLT, M6X16	2
3	R0002.1B6	GASKET, VALVE COVER	2
4	R0012.1B6	GASKET, SPARK PLUG	2
5	R0111.1B6	COVER, VALVE	2
6	V0075.1B6	SPARK PLUG CR9EKB	2
7	Y0300.1B6	COIL, IGNITION	2

SV0009.1B7 REV A

WATER PUMP

Y...ASSEMBLY LUBE  
P...JET-LUBE MP-50 MOLY PASTE

SEE CLUTCH COVER FOR  
Q0430.1B6 AND E0015.1B6

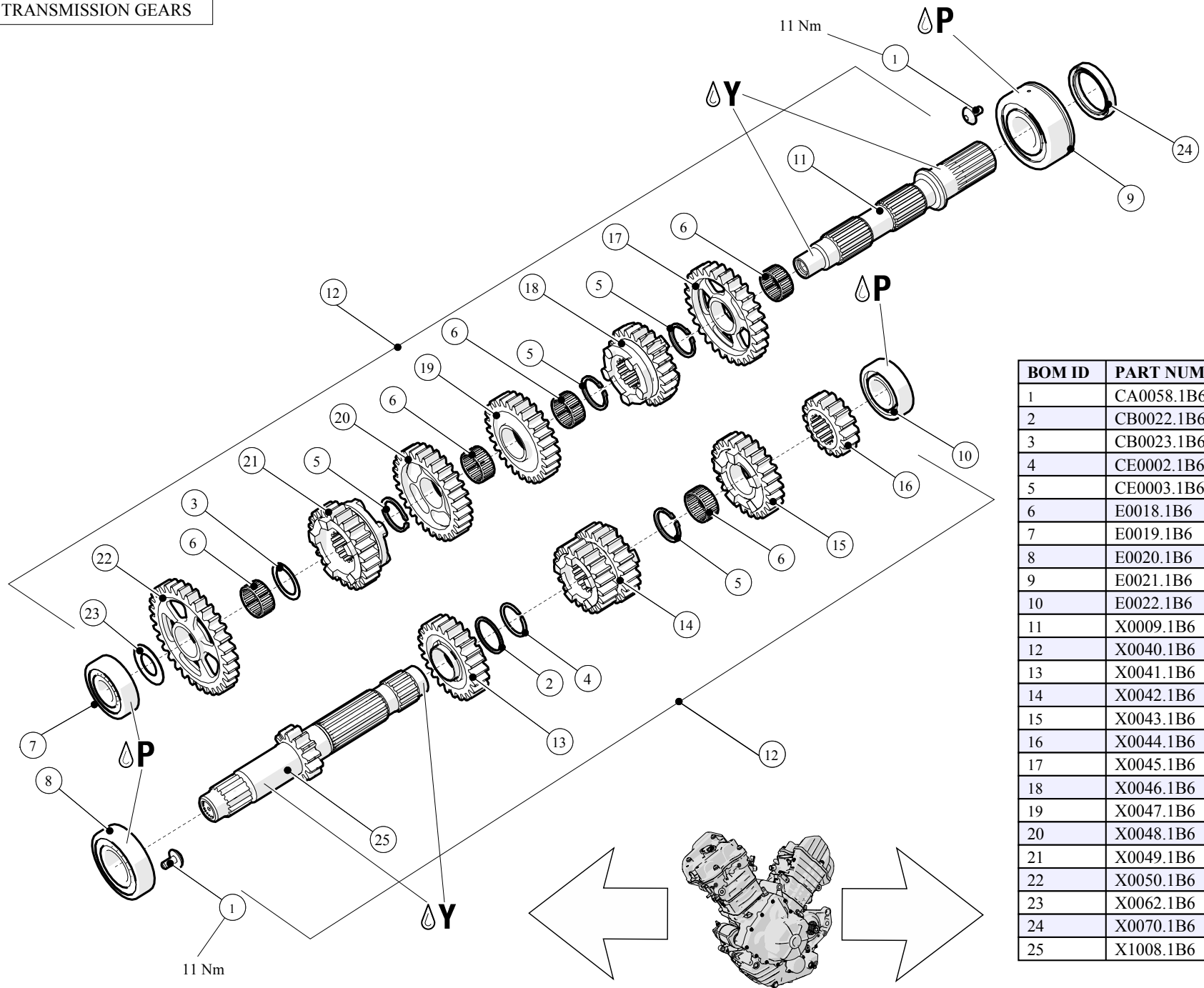


BOM ID	PART NUMBER	DESCRIPTION	QTY
1	CA0062.1B6A	BOLT, M6X25	4
2	CB0028.1B6	WASHER, THRUST, 15.2/30/1	1
3	CJ0001.1B6	RING, SEALING, 6X10	1
4	E0028.1B6	BUSHING, NEEDLE, 12X16X10	1
5	Q0425.1B7YDX	HOUSING, WATER PUMP, GUNSMOKE	1
6	Q0426.1B6	GASKET, WATER PUMP	1
7	Q0427.1B6	IMPELLER, WATER PUMP	1
8	Q0428.1B6	SHAFT, WATER PUMP ASSY	1
9	Q0431.1B6	ROTARY SEAL, WATER PUMP	1

SV0010.1B7 REV A

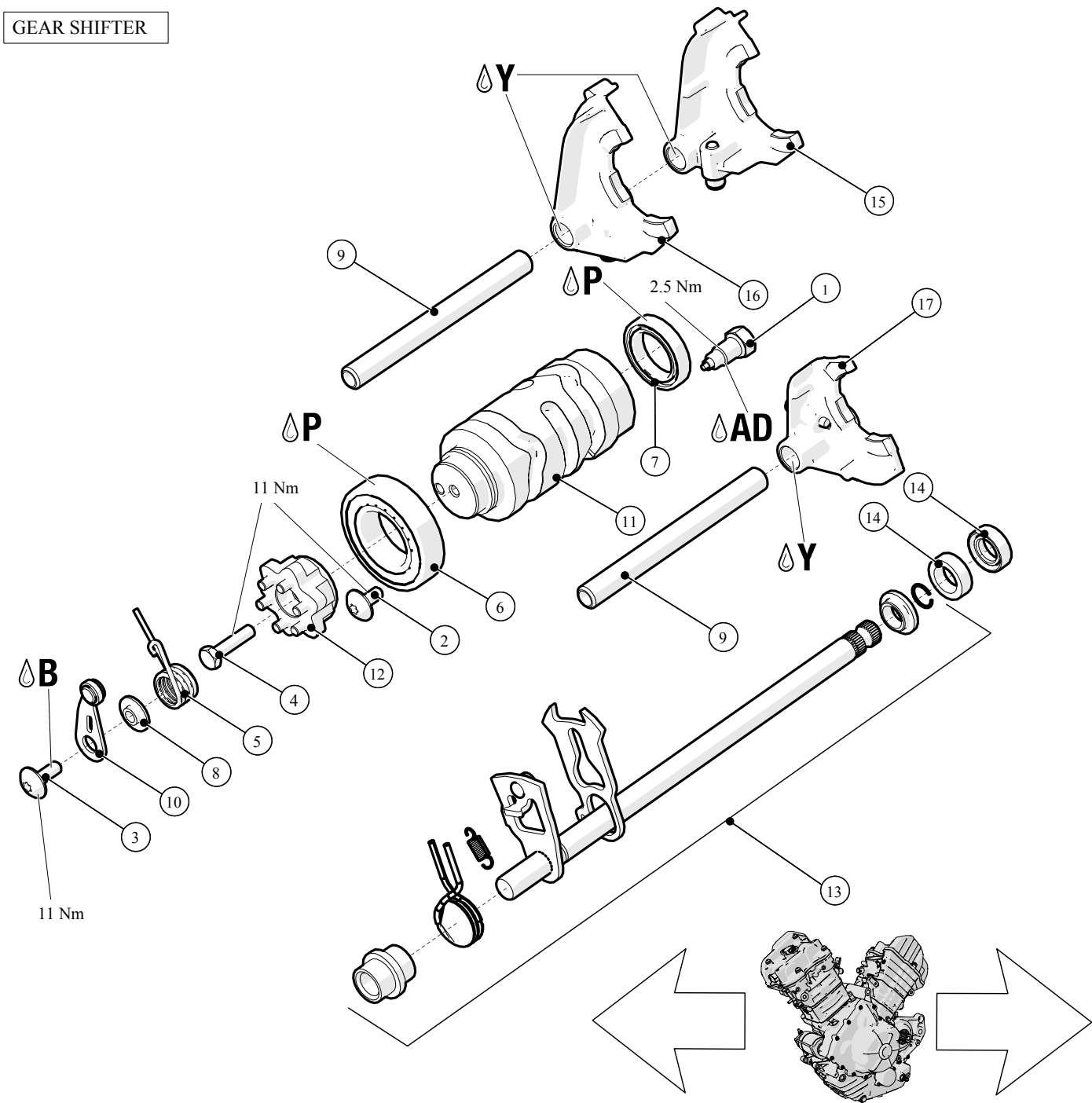
TRANSMISSION GEARS

P...JET-LUBE MP-50 MOLY PASTE  
Y...ASSEMBLY LUBE



BOM ID	PART NUMBER	DESCRIPTION	QTY
1	CA0058.1B6	BOLT, M6X13	2
2	CB0022.1B6	WASHER, THRUST	1
3	CB0023.1B6	WASHER, THRUST	1
4	CE0002.1B6	RING, SNAP 28X2	1
5	CE0003.1B6	RING, RETAINING 29X2	4
6	E0018.1B6	BEARING, NEEDLE	5
7	E0019.1B6	BEARING 6304	1
8	E0020.1B6	BEARING 6206	1
9	E0021.1B6	BEARING 4306	1
10	E0022.1B6	BEARING 6205	1
11	X0009.1B6	SHAFT, OUTPUT	1
12	X0040.1B6	GEAR BOX, ASSY	1
13	X0041.1B6	GEAR 24T 5TH GEAR INPUT	1
14	X0042.1B6	GEAR 21/23T 3/4 INPUT	1
15	X0043.1B6	GEAR 25T 6TH GEAR INPUT	1
16	X0044.1B6	GEAR 16T 2ND GEAR INPUT	1
17	X0045.1B6	GEAR 28T 2ND GEAR OUTPUT	1
18	X0046.1B6	GEAR 24T 6TH GEAR OUTPUT	1
19	X0047.1B6	GEAR 27T 4TH GEAR OUTPUT	1
20	X0048.1B6	GEAR 29T 3RD GEAR OUTPUT	1
21	X0049.1B6	GEAR 25T 5TH GEAR OUTPUT	1
22	X0050.1B6	GEAR 32T 1ST GEAR OUTPUT	1
23	X0062.1B6	SHIM	1
24	X0070.1B6	SEAL, OIL, 40X52X7	1
25	X1008.1B6	SHAFT, INPUT	1

GEAR SHIFTER

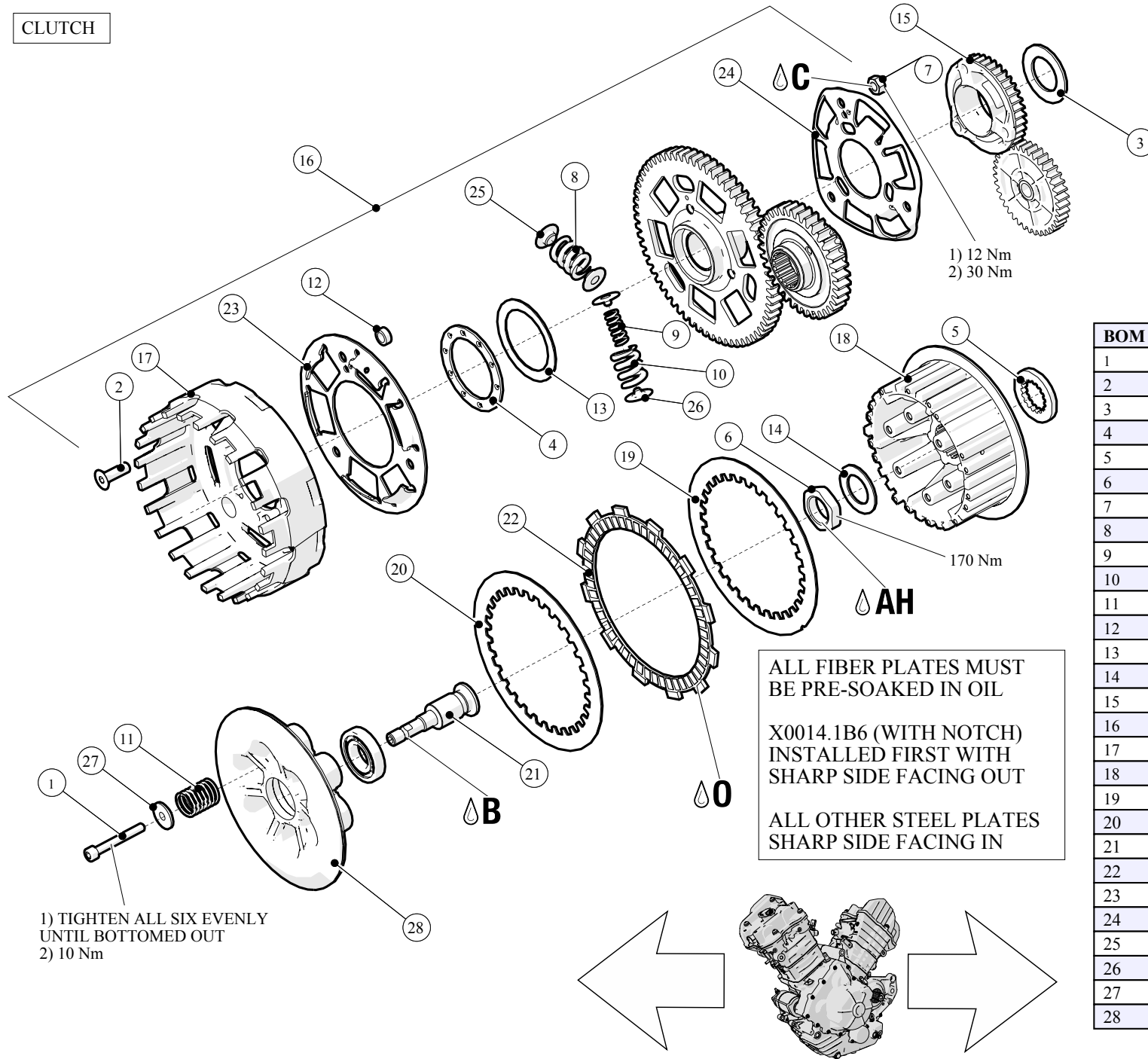


AD...LOCTITE 592  
 B.....LOCTITE 243  
 P.....JET-LUBE MP-50 MOLY PASTE  
 Y.....ASSEMBLY LUBE

BOM ID	PART NUMBER	DESCRIPTION	QTY
1	CA0038.1B6	NEUTRAL SWITCH	1
2	CA0058.1B6	BOLT, M6X13	1
3	CA0059.1B6	BOLT, M6X16	1
4	CA0214.1B7	BOLT, M6X25	1
5	CG0003.1B6	SPRING, INDEX	1
6	E0023.1B6	BEARING 6006	1
7	E0024.1B6	BEARING 61805	1
8	E0026.1B6	STEP RING	1
9	X0007.1B6	SPINDLE, FORK	2
10	X0010.1B6	LEVER, INDEX, ASSY	1
11	X0061.1B6	SHIFT DRUM	1
12	X0066.1B6A	SHIM, INDEX	1
13	X0068.1B6	SHAFT, GEARSHIFT, ASSY	1
14	X0076.1B6	SEAL, OIL, 12X22X7	2
15	X0090.1B6	FORK, SHIFT, 2/4	1
16	X0091.1B6	FORK, SHIFT, 1/3	1
17	X0092.1B6	FORK, SHIFT, 5/6	1

CLUTCH

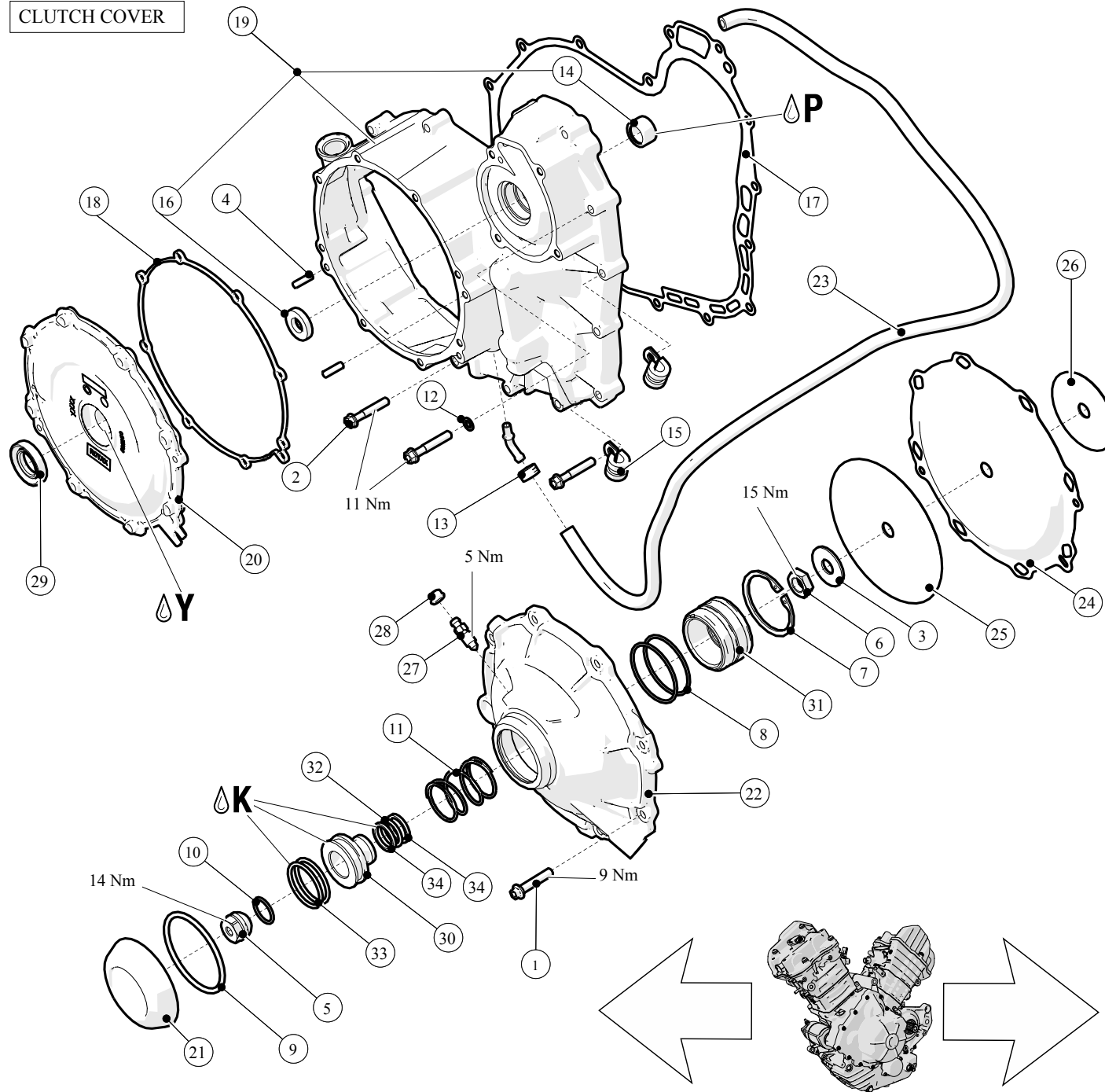
AH...LOCTITE 272  
 B.....LOCTITE 243  
 C.....LOCTITE 648  
 O.....ENGINE OIL



ALL FIBER PLATES MUST BE PRE-SOAKED IN OIL  
 X0014.1B6 (WITH NOTCH) INSTALLED FIRST WITH SHARP SIDE FACING OUT  
 ALL OTHER STEEL PLATES SHARP SIDE FACING IN

BOM ID	PART NUMBER	DESCRIPTION	QTY
1	CA0080.1B7	BOLT, M6X45	6
2	CA0083.1B6	BOLT, 8X25	3
3	CB0024.1B6	WASHER, THRUST, 30.2/50/2.5	1
4	CB0025.1B6	WASHER, THRUST	1
5	CB0026.1B6A	RING, THRUST, 25/43.6/5	1
6	CD0034.1B7	NUT, M24X1.5	1
7	CD0035.1B6	NUT, M8	3
8	CG0005.1B6	SPRING, COMPRESSION	2
9	CG0006.1B6	SPRING, COMPRESSION	4
10	CG0008.1B6	SPRING, COMPRESSION	4
11	CG0020.1B7	SPRING, CLUTCH	6
12	CH0006.1B6	SLEEVE	3
13	CK0001.1B6	SPRING, DISK	1
14	CK0002.1B7	WASHER, SPRING, 24.5/40/1.8	1
15	Q0053.1B6	GEAR, OIL PUMP	1
16	X0011.1B6	DRIVE, PRIMARY, ASSY	1
17	X0012.1B6	CLUTCH DRUM	1
18	X0013.1B7	HUB, CLUTCH	1
19	X0014.1B6	PLATE, CLUTCH	1
20	X0015.1B6	PLATE, CLUTCH	9
21	X0019.1B7	PIN, CLUTCH RELEASE	1
22	X0030.1B6	PLATE, CLUTCH FRICTION	9
23	X0100.1B6	PLATE, SUPPORT, INNER	1
24	X0101.1B6	PLATE, SUPPORT, OUTER	1
25	X0102.1B6	RETAINER, SPRING	4
26	X0103.1B6	RETAINER, SPRING	8
27	X0104.1B7	WASHER, STEP	6
28	X1035.1B6	PRESSURE PLATE, CLUTCH ASSY	1

CLUTCH COVER

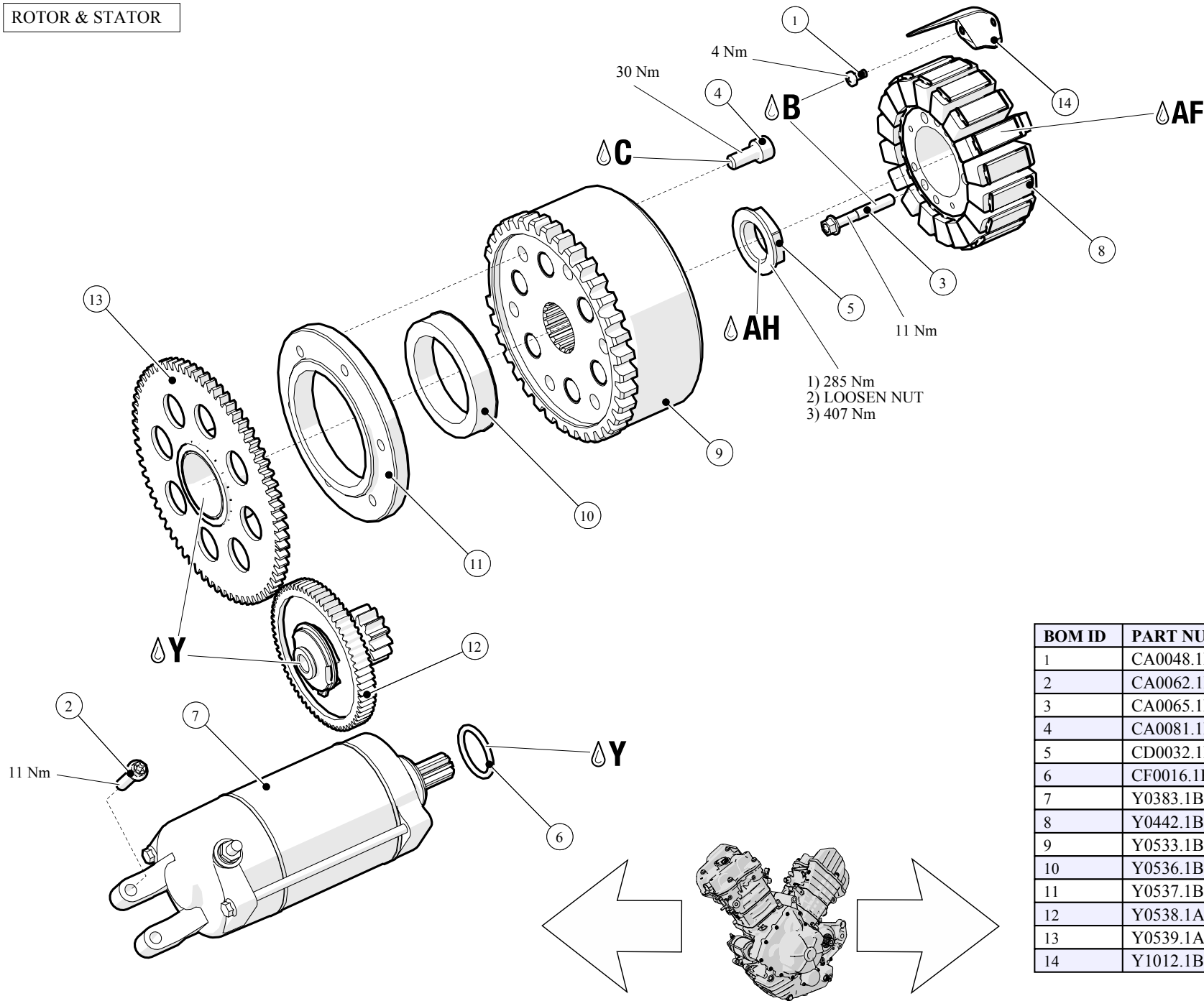


K...DOT 4 BRAKE FLUID  
 Y...ASSEMBLY LUBE  
 P...JET-LUBE MP-50 MOLY PASTE

BOM ID	PART NUMBER	DESCRIPTION	QTY
1	CA0063.1B6A	BOLT, M6X30	8
2	CA0064.1B6	BOLT, M6X35	15
3	CB0027.1B7	WASHER, THRUST, 12.2/32/2	1
4	CC0004.1B6	PIN, 5X16.8	2
5	CD0020.1B6	NUT, M10	1
6	CD0031.1B7	NUT, M12	1
7	CE0006.1B6	RING, RETAINING, 50X2	1
8	CF0007.1B6	O-RING, 45X2	2
9	CF0020.1B6	O-RING, OUTER PLUG	1
10	CF0023.1B6	O-RING, 17X2	1
11	CG0009.1B6	SPRING, 2X32X40	1
12	CJ0001.1B6	RING, SEALING, 6X10	1
13	CN0047.1B7	CLAMP, 9.6-11.3MM	1
14	E0015.1B6	BUSHING, NEEDLE, 15X21X12	1
15	H0403.1B6	CLAMP, CUSHIONED	2
16	Q0430.1B6	OIL SEAL, WATER PUMP	1
17	R0001.1B6	GASKET, CLUTCH COVER	1
18	R0009.1B6	GASKET, DIAPHRAGM COVER	1
19	R0022A.1B6YDX	COVER, CLUTCH, INNER, ASSY, GUNSMOKE	1
20	R0027.1B7YDX	COVER, DIAPHRAGM, INNER, GUNSMOKE	1
21	R0028.1B7	PLUG, CLUTCH COVER, OUTER	1
22	R0029A.1B6YDX	COVER, CLUTCH, OUTER	1
23	X0060.1B7	HOSE, LOW PRESSURE	1
24	X0069.1B7	DIAPHRAGM, CLUTCH	1
25	X0071.1B7	PLATE, OUTER DISK	1
26	X0072.1B7	PLATE, INNER DISK	1
27	X0073.1B6	BLEED SCREW	1
28	X0074.1B6	CAP, RUBBER	1
29	X0077.1B6	SEAL, OIL, 12X22X7	1
30	X0086.1B6A	PISTON	1
31	X0087.1B6A	SLEEVE	1
32	X0205.1B6	O-RING, .674X.103	1
33	X0206.1B6	O-RING, 1.299X.103	2
34	X0207.1B6	RING, BACKUP, .702X.086	2



ROTOR & STATOR



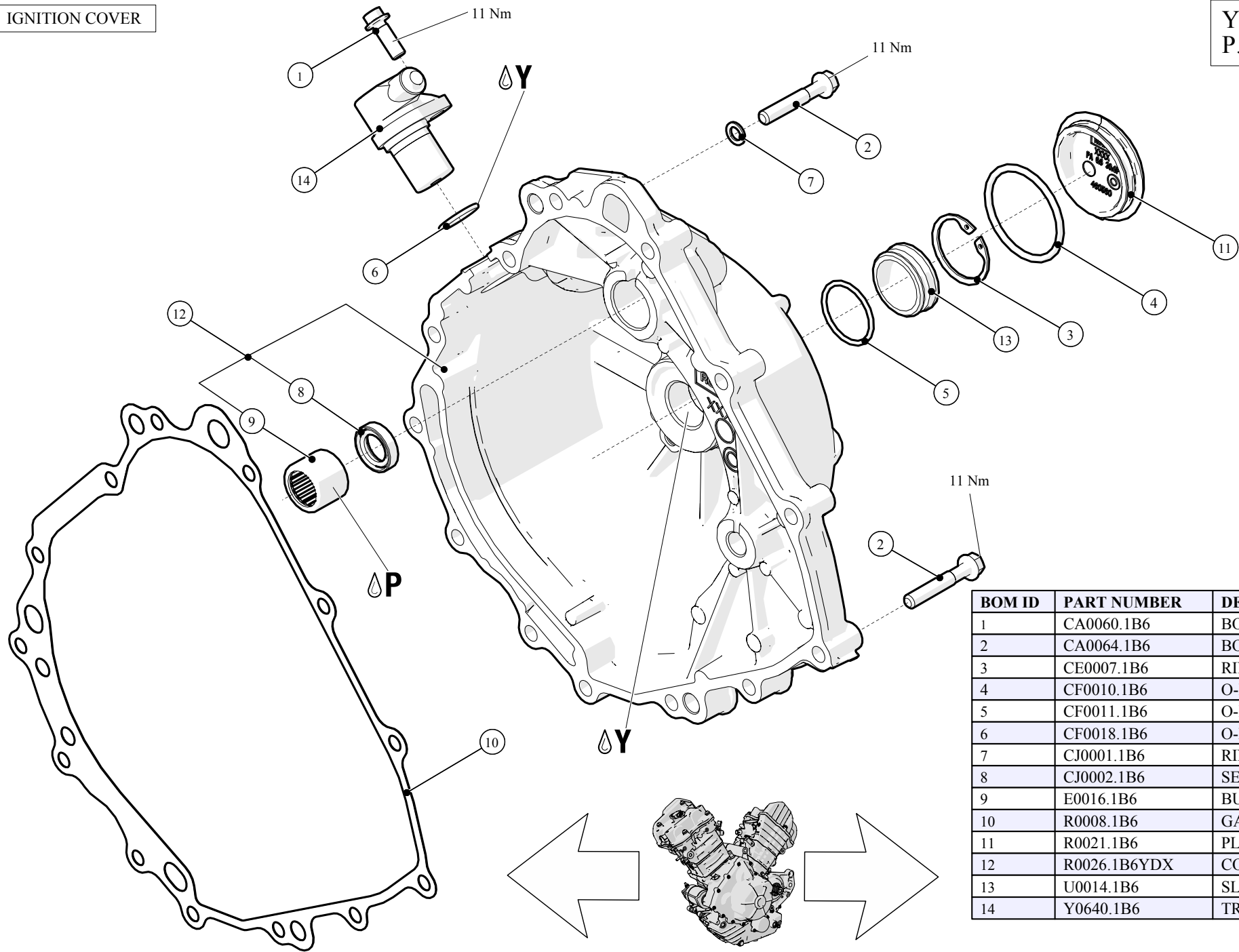
AF...LOCTITE SUPERFLEX BLUE RTV  
 AH...LOCTITE 272  
 B....LOCTITE 243  
 C.....LOCTITE 648  
 Y.....ASSEMBLY LUBE

APPLY LOCTITE SUPERFLEX BLUE RTV  
 TO STATOR WIRING HARNESS AND PLUG

BOM ID	PART NUMBER	DESCRIPTION	QTY
1	CA0048.1B6	SCREW, M4X8	2
2	CA0062.1B6A	BOLT, M6X25	2
3	CA0065.1B7	BOLT, M6X40	3
4	CA0081.1B6	BOLT, M8X18	6
5	CD0032.1B6	NUT, M24	1
6	CF0016.1B6	O-RING, STARTER	1
7	Y0383.1B6A	STARTER	1
8	Y0442.1B7	STATOR ASSY	1
9	Y0533.1B7	FLYWHEEL, ASSY	1
10	Y0536.1B6	CLUTCH, ONE-WAY	1
11	Y0537.1B6	HOUSING, ONE-WAY CLUTCH	1
12	Y0538.1AY	GEAR, IDLER, STARTER	1
13	Y0539.1AY	GEAR, FREEWHEEL, STARTER	1
14	Y1012.1B6	HOLDER, CABLE, INNER	1

IGNITION COVER

Y...ASSEMBLY LUBE  
P...JET-LUBE MP-50 MOLY PASTE



BOM ID	PART NUMBER	DESCRIPTION	QTY
1	CA0060.1B6	BOLT, M6X16	1
2	CA0064.1B6	BOLT, M6X35	13
3	CE0007.1B6	RING, RETAINING, 30X1.2	1
4	CF0010.1B6	O-RING, OUTER PLUG	1
5	CF0011.1B6	O-RING, 25X2	1
6	CF0018.1B6	O-RING	1
7	CJ0001.1B6	RING, SEALING, 6X10	1
8	CJ0002.1B6	SEAL, OIL, 12X20X5	1
9	E0016.1B6	BUSHING, NEEDLE, 15X21X16	1
10	R0008.1B6	GASKET, STATOR COVER	1
11	R0021.1B6	PLUG, STATOR COVER, OUTER	1
12	R0026.1B6YDX	COVER, IGNITION, ASSY, GUNSMOKE	1
13	U0014.1B6	SLEEVE, SEALING	1
14	Y0640.1B6	TRIGGER, CRANK POSITION	1

SV0016.1B7 REV A