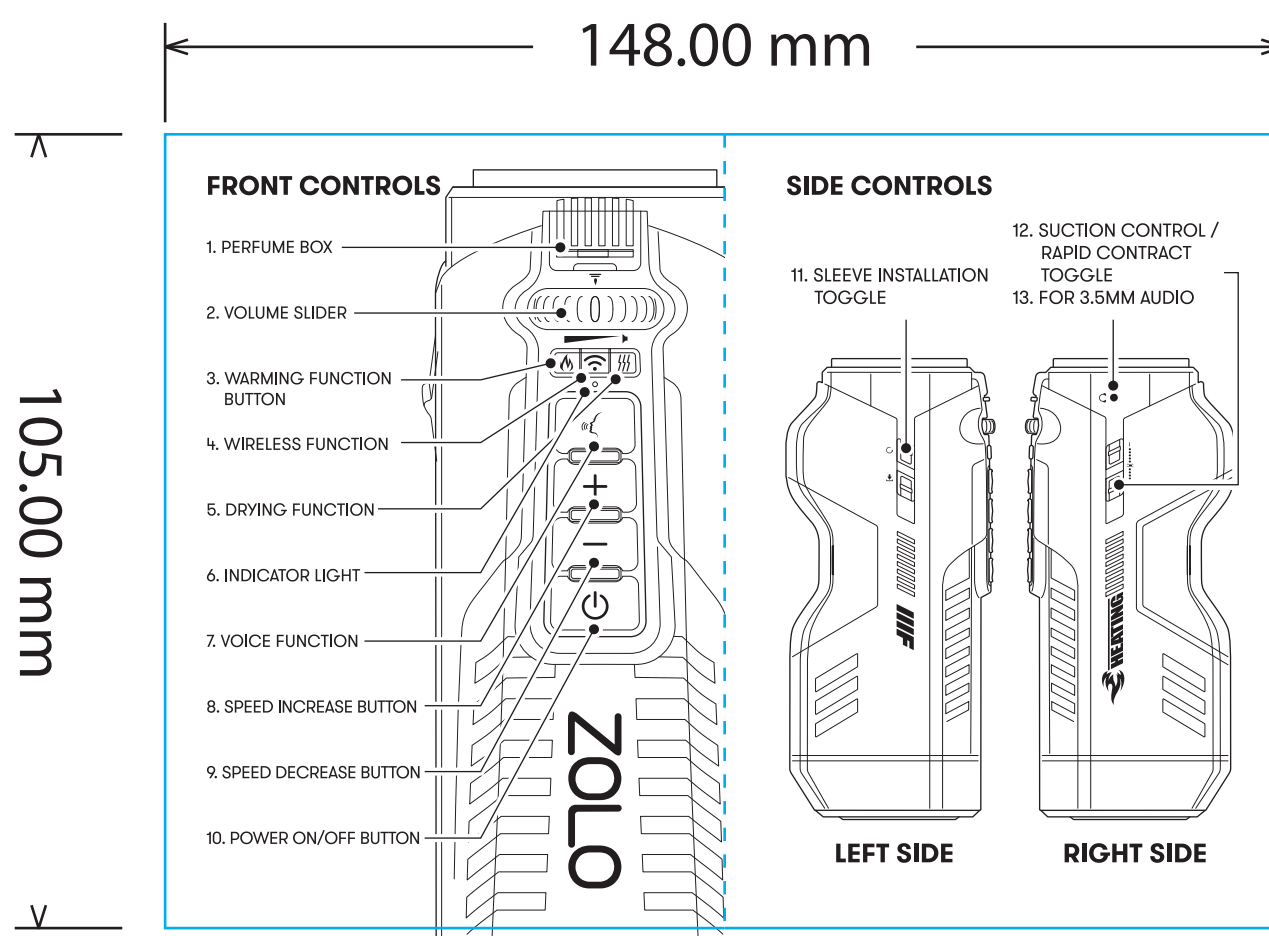


COVER



01-02

DETAILED FUNCTIONS:

1 PERFUME BOX (PERFUME NOT INCLUDED)

- Remove the lid of the perfume box from the ROBOBLOW and add 2 to 3 drops of perfume or essential oil.
- Reattach the lid to the ROBOBLOW.
- Flip the perfume box switch to the left to diffuse the perfume, and flip it again to stop.

2 VOLUME SLIDER

Drag the slider from right to left to increase the volume of the Voice Function [V] of the ROBOBLOW. (NOTE: The Volume Slider only controls the volume of the Voice Function when the ROBOBLOW is not paired to a Wireless speakers/headphones. When it is paired, the only way to adjust the volume is directly from the Wireless device. Voice Function applies while the ROBOBLOW is on thrusting.)

3 WARMING FUNCTION BUTTON

- Attach the power cable to the ROBOBLOW. Keep the ROBOBLOW in OFF mode.
- Remove the cap from the underside of the ROBOBLOW.
- Flip the Sleeve Installation toggle [C] upwards and the stroker meat will "retract upwards", leaving the mouth of the stroker exposed.
- Clean the interior of the sleeve with a towel and make sure that it is as dry as possible before proceeding.
- Reattach the cap to the underside of the ROBOBLOW. Make sure the ROBOBLOW is standing on a leveled surface before proceeding.
- Press the Warming Function button [M] of the ROBOBLOW to begin the process. All the buttons on the front panel of the ROBOBLOW will flash blue. (NOTE: During this process, no other functions of the ROBOBLOW will be available for use)
- After roughly 10 minutes, press the Warming Function [M] button once again to stop the process.
- Remove the cap from the underside of the ROBOBLOW.

03-04

DETAILED FUNCTIONS:

4 WIRELESS FUNCTION

- Press and hold the Wireless Function button [W] to enable the Wireless mode. The ROBOBLOW's built-in Wireless will automatically start searching for nearby Wireless-enabled speakers/headphones for pairing.
- In the meantime, please make sure your Wireless-enabled speakers/headphones are in DISCOVERABLE mode.
- The Indicator Light on the front panel of the ROBOBLOW will flash blue while searching for Wireless-enabled speakers/headphones. Once the ROBOBLOW has paired successfully, the Indicator Light will remain in a solid-state for the entire duration of when the Wireless is in use.
- After pairing successfully, the Voice Function [V] will bypass the ROBOBLOW's built-in speakers and play directly on the Wireless-enabled speakers/headphones. (NOTE: When the Wireless Function is enabled, the only way to control the volume of the Voice Function is through the Wireless device's controls)

5 DRYING FUNCTION BUTTON

- Attach the power cable to the ROBOBLOW. Keep the ROBOBLOW in OFF mode.
- Remove the cap from the underside of the ROBOBLOW.
- Flip the Sleeve Installation toggle [C] upwards and the stroker meat will "retract upwards", leaving the mouth of the stroker exposed.
- Clean the interior of the sleeve with a towel and make sure that it is as dry as possible before proceeding.
- Reattach the cap to the underside of the ROBOBLOW. Make sure the ROBOBLOW is standing on a leveled surface before proceeding.
- Press the Drying Function button [D] of the ROBOBLOW to begin the process. The four buttons on the front panel will take turns flashing blue in color. (NOTE: During the Drying process, no other functions of the ROBOBLOW will be available for use)
- After usage, press the Drying Function button [D] once again to stop the process.
- Remove the cap from the underside of the ROBOBLOW.
- Press the ON/OFF button to begin using the ROBOBLOW. The Drying Function works continuously up to 60 minutes.

05-06

DETAILED FUNCTIONS:

6 INDICATOR LIGHT

- The Indicator Light on the front panel of the ROBOBLOW will flash blue for the entire duration of when the Voice Function is in use.
- The Indicator Light will flash blue while searching for Wireless-enabled speakers/headphones. Once the ROBOBLOW has paired successfully, the Indicator Light will remain in a solid-state for the entire duration of when the Wireless Function is in use.

7 VOICE FUNCTION

- Press the Voice Function [V] button once to start.
- The Indicator Light on the front panel of the ROBOBLOW will flash blue for the entire duration of when the Voice Function is in use.
- Press the button again to turn off the Voice Function.
- To adjust the volume, drag the volume slider from right to left to increase the volume, and vice-versa to decrease the volume.

8 SPEED INCREASE 8 SPEED DECREASE

- To adjust the vibration function's speed of the ROBOBLOW, press the [+] button to increase the speed by one level and the [-] button to decrease the speed by one level. There are total 10 levels. (3 Speeds + 7 modes)
- Press and hold the [H] button for two seconds to activate the Fastest Speed function. This allows for the user to jump to the fastest speed without having to press the [+] button repeatedly.
- At the Fastest Speed function, all four buttons on the front panel will flicker blue in color.
- To deactivate the Fastest Speed function, simply press the Voice Function [V] button, the [+] button or the [-] button. This will reset the speed of the vibration function of the ROBOBLOW to the lowest setting.
- To stop the vibration function, simply press the [H] button repeatedly until it stops.

07-08

DETAILED FUNCTIONS:

10 POWER ON/OFF BUTTON

- To turn the ROBOBLOW on or off, press and hold the [P] button for 5 seconds.
- When it is powered on, press the [P] button once to pause any ongoing vibration functions. All four buttons will flash blue in color. (NOTE: If the ROBOBLOW is left in the pause state for more than half an hour, the ROBOBLOW will automatically turn itself off)
- Press the [P] button once more to resume any ongoing vibration functions.

11 SLEEVE INSTALLATION TOGGLE

- To swap the textured sleeve of the ROBOBLOW, attach the power cable to the ROBOBLOW. Keep the ROBOBLOW in OFF mode.
- Flip the Sleeve Installation toggle to [C] and remove the sleeve from the ROBOBLOW.
- Insert the other sleeve into the ROBOBLOW then flip the Sleeve Installation toggle to [C]. Your ROBOBLOW is now ready for use.

12 SUCTION CONTROL / RAPID CONTRACT TOGGLE

- To activate the Suction Control function, slide the toggle towards the + symbol to slowly increase the intensity of the suction. The more you slide it towards the + symbol, the more intense the suction function will be.
- To reset the suction function, simply slide the toggle towards the - symbol and hold it for 2 seconds.
- To activate the Rapid Contract function, slide the toggle towards the - symbol quickly to start.
- The Rapid Contract function has 10 patterns, and slide the toggle towards the = symbol quickly to switch between patterns.
- To deactivate the Rapid Contract function, slide the toggle towards the - symbol and hold it for 2 seconds. (NOTE: If the Suction Control function is also in use when you are deactivating the Rapid Contract function, both functions will deactivate at the same time)

09-10

SAFETY FEATURE:

- To prevent any accidents due to user error or unexpected circumstances, the ROBOBLOW has an automatic fail-safe feature that will activate in the event where the stroker is jammed during any of the functions.
- When the safety feature is activated, the ROBOBLOW will emit 2 beeping sounds and the control panel will flash red in color 5 times continuously.
- The ROBOBLOW will cease functions for a short period before resuming any active functions.
- If the safety feature is activated 10 times continuously, the ROBOBLOW will slowly disengage any functions while emitting a low-toned sound, then it will power off.

CLEANING INSTRUCTIONS:

- Attach the power cable to the ROBOBLOW. Keep the ROBOBLOW in OFF mode. Remove the cap from the underside of the ROBOBLOW. Flip the Sleeve Installation toggle to [L] and remove the sleeve from the ROBOBLOW.
- Rinse the sleeve under room-temperature level water, avoid using hot water.
- Wipe the interior and exterior of the sleeve, this prevents any damage to the ROBOBLOW.
- Flip the Sleeve Installation toggle to [R] and insert the other sleeve into the ROBOBLOW.
- Activate the Drying Function to keep the sleeve dry before next use.

11-12

2 TEXTURED SLEEVES

SLEEVE A SLEEVE B

SPECIFICATIONS:

Product name: ZOLO ROBOBLOW
Executive standards: Q/LTDZKJ 1-2019
Power supply: AC 100-240V
Product material: ABS, TPU, PC and TPE
Product size: 126 x 100 x 280mm
Accessories description: Masturbator, Operation manual, Charger, 2 Textured sleeves, Travel bag

Model: See outer packaging
Rated current: ≤5A
Rated voltage: 12V
Maximum noise: ≤80db

CHARGING INSTRUCTION

Plug the included charging cable into the charging interface of the ROBOBLOW, and the power adapter cable into a power outlet.

13-14