

The background of the entire page is a dark grey or black surface covered with a grid of numerous circular red light therapy lamps. Each lamp is illuminated from within, casting a warm red glow. The lamps are arranged in a staggered pattern, creating a sense of depth and repetition. The text is centered over this background.

# Etherea

## RED LIGHT THERAPY

### USER MANUAL

**SOLACE 300, SOLACE 1500, SOLACE 3000, SOLACE 6000**

Mindfully Created For Your Wellbeing.

Here at Kiva Wellness we combine innovative technology with meaningful local support. Now you can take your wellness and recovery into your own hands, and into your home.

Invest in you, your rituals and your radiance. Reap the life enhancing rewards with a Kiva Wellness transformation.

[KIVAWELLNESS.COM.AU](https://www.kivawellness.com.au)

[SUPPORT@KIVAWELLNESS.COM.AU](mailto:SUPPORT@KIVAWELLNESS.COM.AU) | 07 4270 8000

KIVA WELLNESS  
3/12 RUDMAN PDE  
BURLEIGH HEADS QLD 4220

@kivawellness   

# CONTENTS

—

6

Red Light Therapy

9

Health Benefits

12

Solace 300

14

Mounting Instructions

16

Solace 1500

18

Mounting Instructions

20

Solace 3000

22

Solace 6000

24

Mounting Instructions

27

Tips & Tricks

28

Setup RD light

30

Warranty

# Our Mission & Vision

Our vision is to facilitate a better quality of life by creating access to innovative therapies and fitness equipment.

Inspiring and enhancing experiences of exercise and relaxation regularly and without barriers, one session at a time all in the comfort of your home.

Connecting people with unique wellness solutions and empowering ownership of health & wellbeing.

# Our Values

We put our **people first** because health is uniquely yours, and we are all on a different journey to achieving total wellbeing.

We value **kindness** and always strive to being genuine with our community and our endeavours. **Growth** is important to us so we can continue to offer meaningful support and innovative products as our community continues to grow.

We want our customers to have **access** to elevating their health at home and being able to get the products of their choice without barriers.

We seek **sustainable** outcomes for every aspect in our business consciously reducing our footprint wherever we can.



*"Take care of your body.  
Its the only place you have to live."*

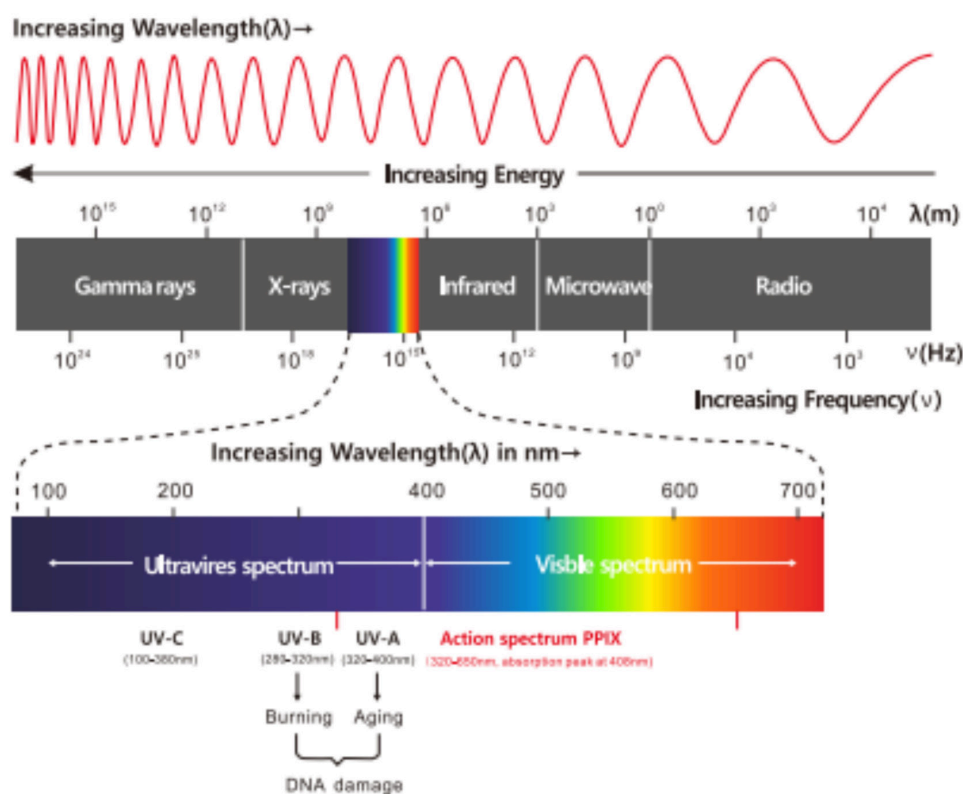
*- Jim Rohn*

## RED LIGHT THERAPY

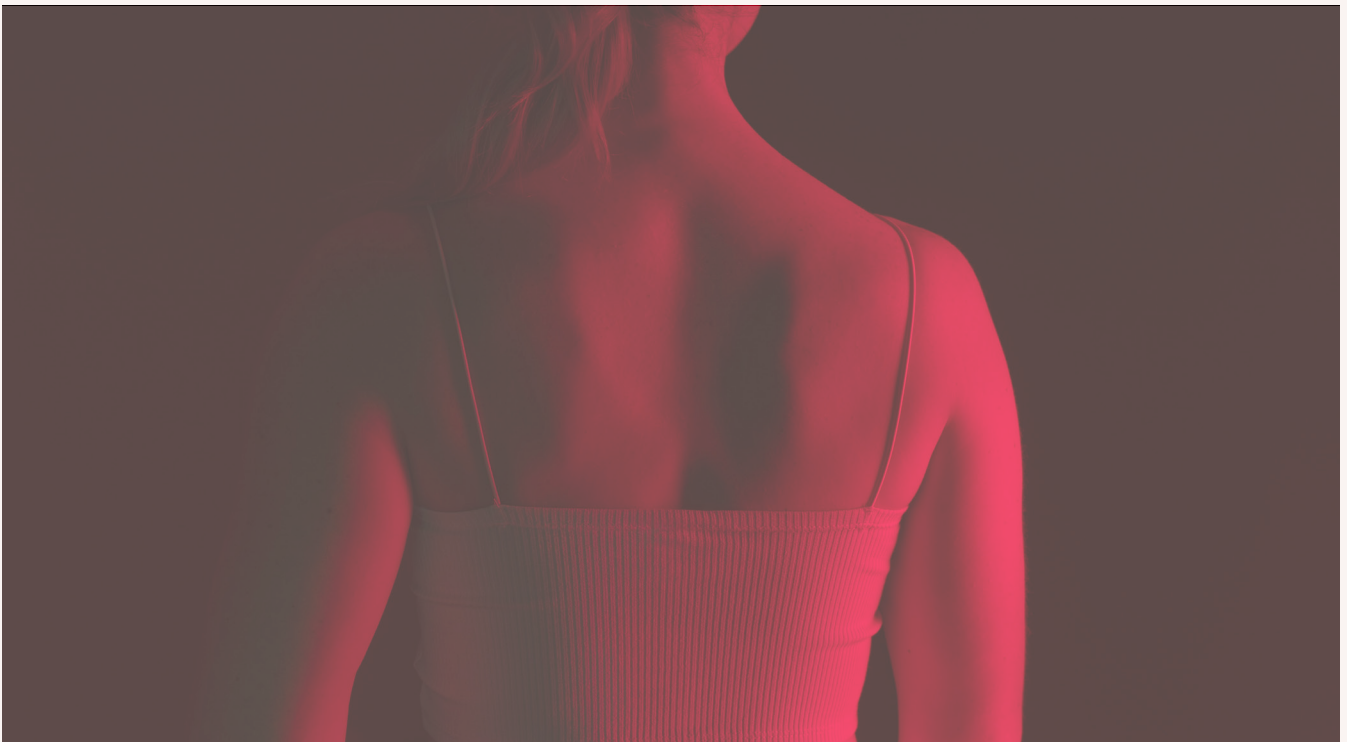
Discover the transformative power of Red Light Therapy, a groundbreaking advancement in the realm of personal wellness. This innovative therapy harnesses the healing potential of specific red and near-infrared light wavelengths, delivering them directly to your skin and deeper tissues. It's a non-invasive, painless treatment method that has been scientifically shown to rejuvenate skin, accelerate muscle recovery, and enhance overall well-being. By stimulating cellular repair and increasing circulation, Red Light Therapy supports your body's natural healing processes, promoting a healthier, more radiant you. Whether you're seeking to diminish signs of ageing, soothe sore muscles, or simply boost your mood and energy levels, Red Light Therapy offers a holistic approach to achieving balance and vitality in your life. Embrace this luminous journey towards optimal health and discover a brighter, healthier you.

## HOW DOES RED LIGHT THERAPY WORK?

Red and near-infrared light therapy stands as a monumental advancement in health and wellness, emerging as one of the most significant discoveries in the last hundred years. Red light, a component of the sunlight spectrum, is known for its beneficial effects on plant and animal growth, while near-infrared light, another segment of the electromagnetic spectrum, is crucial for cellular function and health. The accompanying photo illustrates the specific types of light and how they interact at a cellular level to promote overall well-being.



When administered at the right wavelengths and energy levels, red and near-infrared light safeguard your body's cells against the damaging effects of nitric oxide, which can hinder ATP production during periods of stress or illness. Red light photons enhance your cells' ability to utilise oxygen efficiently by reducing nitric oxide absorption. Unique to red light therapy is its capacity to penetrate deep into the mitochondria of cells, stimulating healing and regeneration. This process not only enhances your appearance and performance but also contributes significantly to your overall well-being.



## **KIVA WELLNESS ETHEREA SERIES THERAPY LIGHTS**

Our Etherea Therapy lights are the most advanced series of therapy lights, developed for users with the highest requirements for irradiance and smart operation. With LCD display, remote control, dimming, pulse and timer built-in controller, the Etherea Pro lights are the superior Red Light Therapy on the market.

## **UNLEASH THE POWER OF LIGHT FOR HOLISTIC WELLNESS**

Embrace a world of enhanced health and well-being with the Kiva Wellness Etherea Red Light Therapy, a revolutionary device designed to transform your wellness journey. Experience the profound benefits of red and infrared light therapy from the comfort of your own home, all while enjoying unparalleled customisation and safety.

# INSTRUCTION GUIDE

## **EXPANSIVE FULL-BODY COVERAGE**

Measuring an impressive 91cm in height and 28cm in width, the Etherea 1500 delivers comprehensive full-body infrared light therapy. Its generous size, 33% wider than standard models, ensures an extended area of coverage, maximising therapeutic effect from head to toe.

## **DUAL-LENS TECHNOLOGY FOR MULTI-PURPOSE THERAPY**

The Etherea Red Therapy Lights are equipped with dual-lens technology, featuring both 30-degree and 60-degree lenses to provide a versatile range of therapeutic options.

### **30-DEGREE LENS FOR DEEPER TISSUE TREATMENT**

The 30-degree lens delivers focused and concentrated light, allowing for deeper penetration into tissues. This is ideal for treating issues below the surface of the skin, such as muscle recovery, joint pain, or deep tissue healing.

### **60-DEGREE LENS FOR SURFACE-LEVEL TREATMENT**

The 60-degree lens provides a broader and more diffuse area of coverage, making it well-suited for surface-level treatments. This lens is particularly beneficial for skin-related therapies, such as treating skin conditions, promoting collagen production, or addressing surface wounds.

## **REVOLUTIONARY DUAL CHIP TECHNOLOGY FOR ADVANCED CUSTOMISATION**

At the heart of the Etherea panels lies its groundbreaking dual chip technology. This innovation enables each LED to emit multiple wavelengths simultaneously or independently, providing an unparalleled range of therapeutic options. With wavelengths of 630nm, 660nm, 810nm, 830nm, and 850nm at your fingertips, you can fine-tune your therapy session to address specific health and wellness goals with unmatched precision.



## PERSONALISED HEALTH BENEFITS WITH MANUALLY ADJUSTABLE TECHNOLOGY

The Etherea's manually adjustable technology empowers you to tailor your therapy sessions to your unique needs. Select specific wavelength settings to target.



**Skin Enhancement:** Promote skin rejuvenation, reduce wrinkles, and enhance overall complexion.

1 Dimming: 50% brightness each of red (630nm+660nm) and infrared light (810nm,830nm,850mm)  
2 Timing: 5-10 minutes  
3 Pulse: 0hz



**Inflammation Reduction:** Alleviate inflammation, soothe muscle soreness, and promote healing.

1 Dimming: Red (630nm+660nm) and infrared (810nm, 830nm, 850mm) 100% brightness each.  
2 Timer: 20 minutes  
3 Pulse: 20hz



**Nerve Pain Relief:** Manage nerve pain, reduce nerve sensitivity, and improve overall well-being.

1 Dimming: 80% brightness each of red (630nm+660nm) and infrared (810nm,830nm,850mm)  
2 Timer: 20 minutes  
3 Pulse: 10hz



**Wound Healing Acceleration:** Accelerate wound healing, stimulate tissue repair, and promote recovery.

1 Dimming: 60% brightness each of red (630nm+660nm) and infrared (810nm,830nm,850mm)  
2 Timing: 20 minutes  
3 Pulse: 20hz



**Joint Pain Relief:** Alleviate joint pain, reduce inflammation, and enhance joint mobility.

1 Dimming: Red (630nm+660nm) and infrared (810nm,830nm,850mm) 100% brightness each.  
2 Timer: 20 minutes  
3 Pulse: 20hz



**Improved mood and energy levels:** Improves mood and energy levels by increasing the production of serotonin and melatonin.

1 100% brightness for each of red (630nm+660nm) and infrared light (810nm,830nm,850mm)  
2 Timing: 10 minutes



**Improved Sleep Quality:** Promote restful sleep, regulate circadian rhythms, and enhance sleep patterns.

1 20% brightness each of red (630nm+660nm) and infrared light (810nm,830nm,850mm)  
2 Timer: 30 minutes

# INSTRUCTION GUIDE

## USER-FRIENDLY DIGITAL INTERFACE FOR SEAMLESS CONTROL

Navigating your therapy sessions is effortless with the Etherea's user-friendly digital interface. A simplified control system and digital timer allow you to customise your therapy settings with ease, ensuring a convenient and personalised experience.

## MEDICAL GRADE LEDS FOR SUPERIOR PERFORMANCE

The Etherea panels adhere to the highest standards of quality, utilising only medical-grade LEDs and lens technology. This ensures exceptional performance, optimal light penetration, and long-lasting therapeutic benefits.

## FLICKER-FREE TECHNOLOGY FOR ENHANCED SAFETY

Your safety is our priority. The Etherea Red Light Therapy panels are equipped with flicker-free drivers, eliminating potential eye strain and ensuring a safe and effective therapy experience.

## VERSATILE INSTALLATION WITH FREE HANGING KIT

The Etherea 1500 comes with a complimentary vertical and horizontal hanging kit, providing flexible installation options to suit your space and preferences. Whether you prefer floor-standing, wall-mounted, or ceiling-mounted placement, the Etherea 1500 adapts to your needs.

## COMPLIMENTARY LIGHT BLOCKING GOGGLES FOR FACIAL THERAPY

For added protection during facial therapy sessions, a pair of light-blocking goggles is included with all Etherea devices.

## QUALITY AND SATISFACTION GUARANTEE

We stand behind the exceptional quality of the Etherea with a robust quality guarantee. All panels undergo rigorous testing and are shipped using insured methods, ensuring you receive what you order or your money back.

(Study 1, Hamblin MB, Wong TKW, Sharps DR, et al. (2018). Red and near-infrared light for the treatment of skin conditions: A critical review of clinical studies.)

(Study 2, Chung H, Wang M, Hamblin MR, et al. (2010). The effects of infrared radiation on the healing of acute and chronic wounds.)

(Study 3, Baranauskas V, Andersen LL, Andersen JO, et al. (2012). Photobiomodulation for the treatment of pain: A review of the evidence.)

(Study 4, Hamblin MR, Da Silva S, de Carvalho J, et al. (2017). Effects of 880 nm near-infrared light irradiation on wound healing in vivo.)

(Study 5, Bjordal RI, Lopes-Martins RA, Iversen HV, et al. (2017). The effects of infrared radiation on arthritic pain: A systematic review and meta-analysis.)

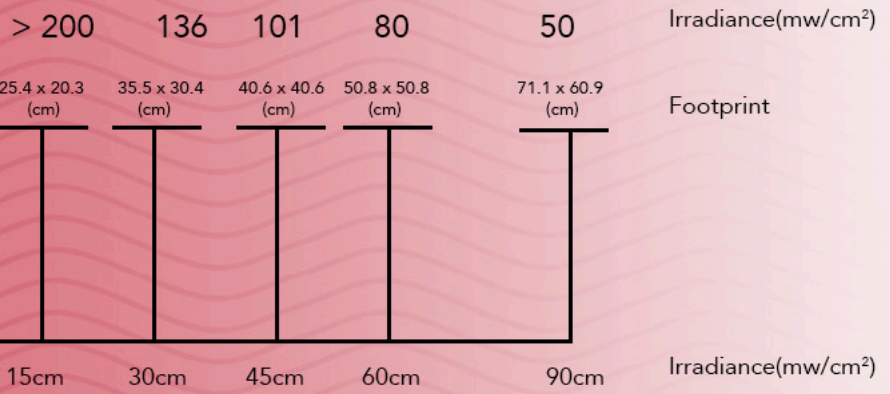
(Study 6, Gupta D, Gupta S, Joshi R, et al. (2017). The effect of red and near-infrared light on sleep quality in patients with insomnia.)



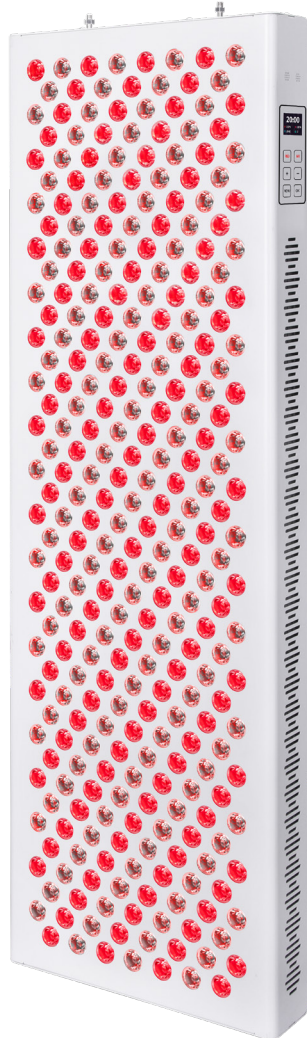
## SOLACE 300



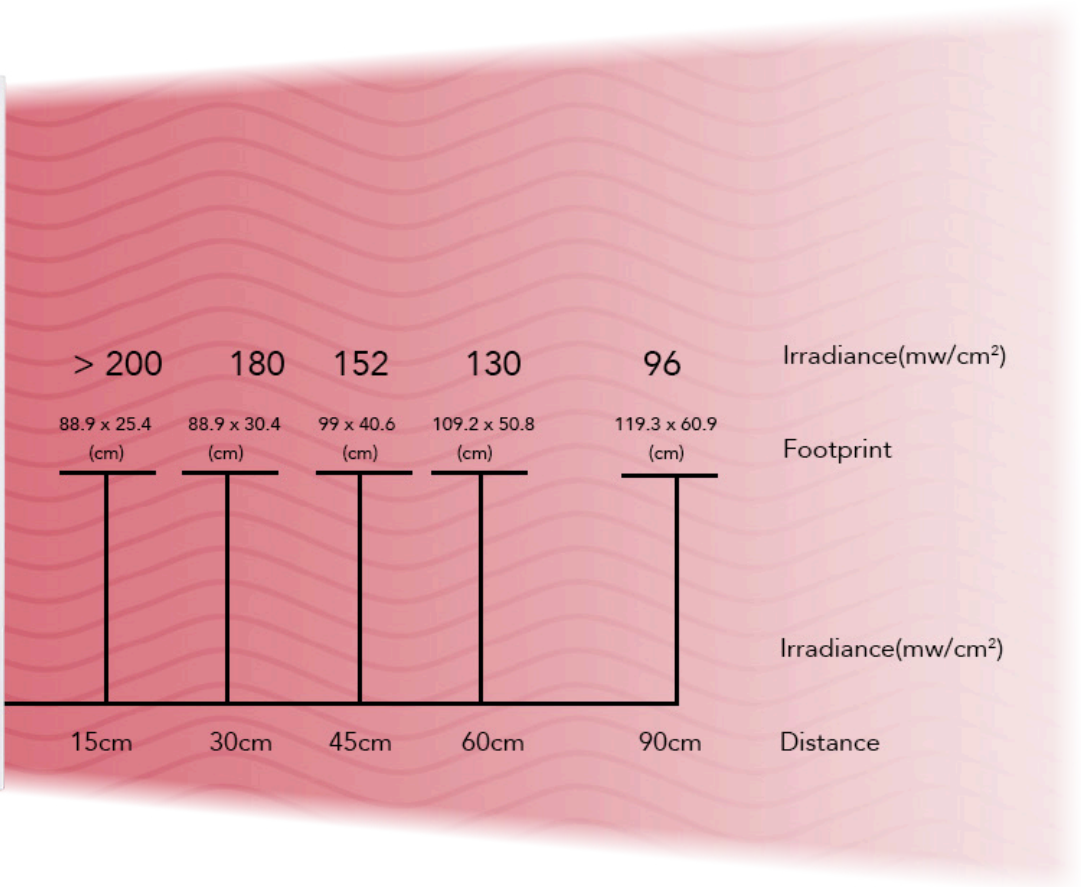
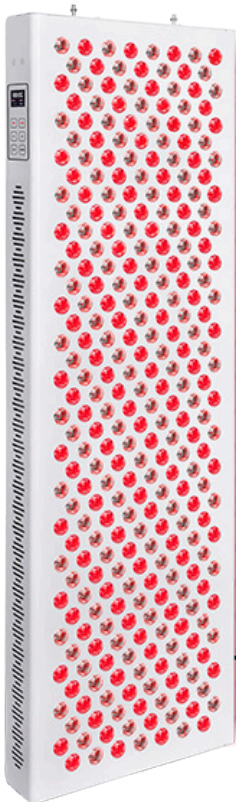
Product Dimensions (mm)	26.9cm x 23cm x 6.6cm
How Many LEDs on panel?	60pcsx 5W
Which Wave Lengths included (nm)	630, 660, 810, 830, 850nm
LED Life	50000hrs
Hanging Options included?	Yes
Lens degree	30°
Timer settings	1-30 minutes, adjustable
Pulse Settings	0-20Hz, adjustable
Wattage Input	300W
Wattage Output	103W



## SOLACE 1500

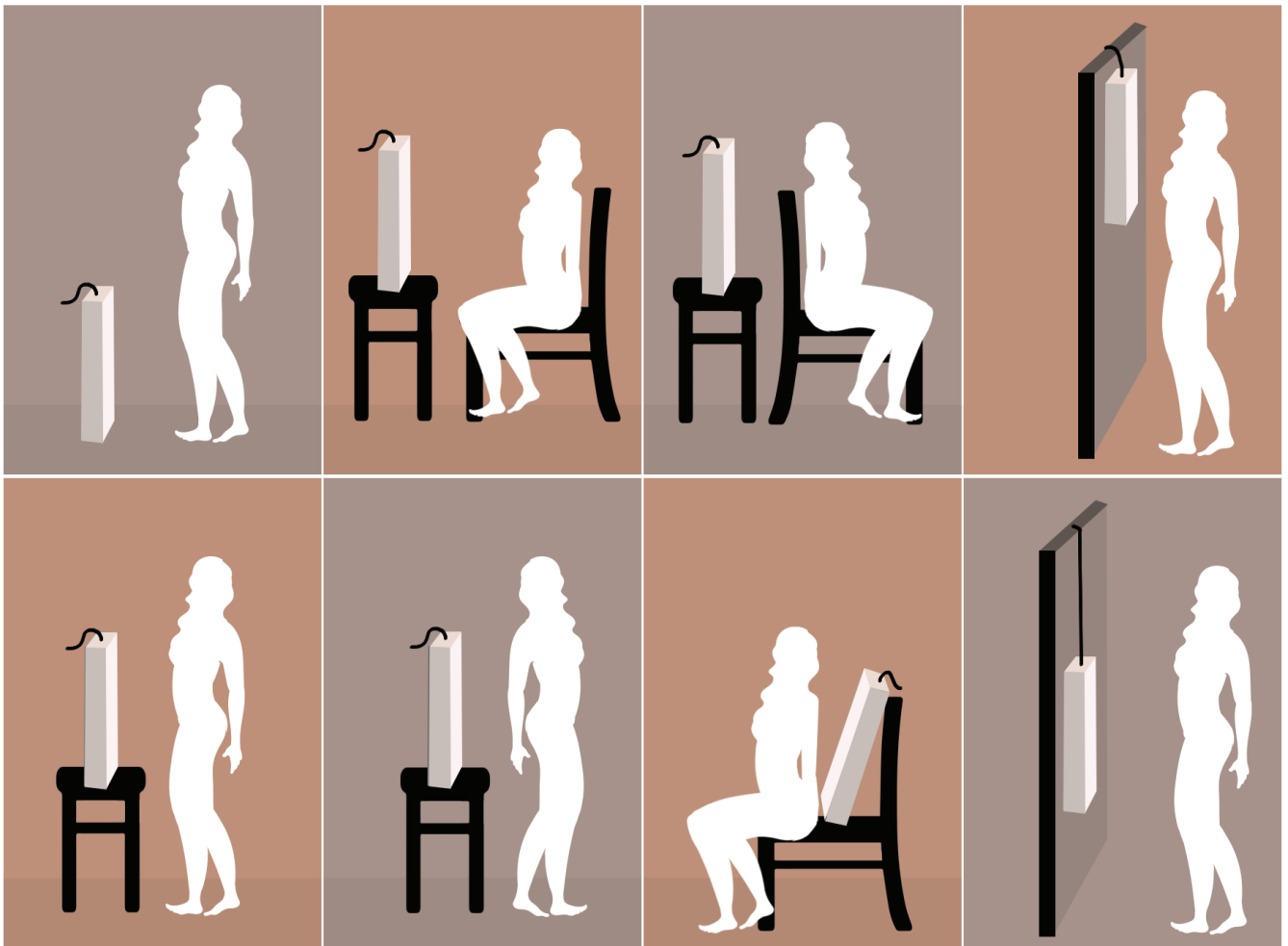


Product Dimensions (mm)	90.9cm x 29.9cm x 6.6cm
How Many LEDs on panel?	300pcsx5W
Which Wave Lengths included (nm)	630, 660, 810, 830, 850nm
LED Life	50000hrs
Hanging Options included?	Yes
Lens degree	30°
Timer settings	1-30 minutes, adjustable
Pulse Settings	0-20Hz, adjustable
Wattage Input	1500W
Wattage Output	500W



## SOLACE 1500 INSTRUCTION GUIDE

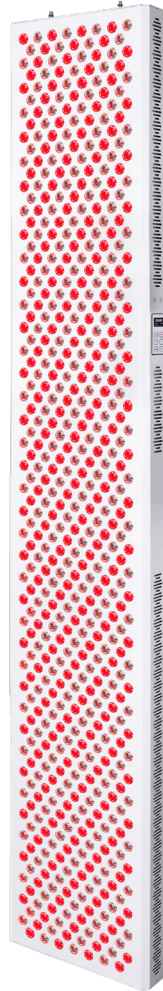
Use the supplied hanging kit



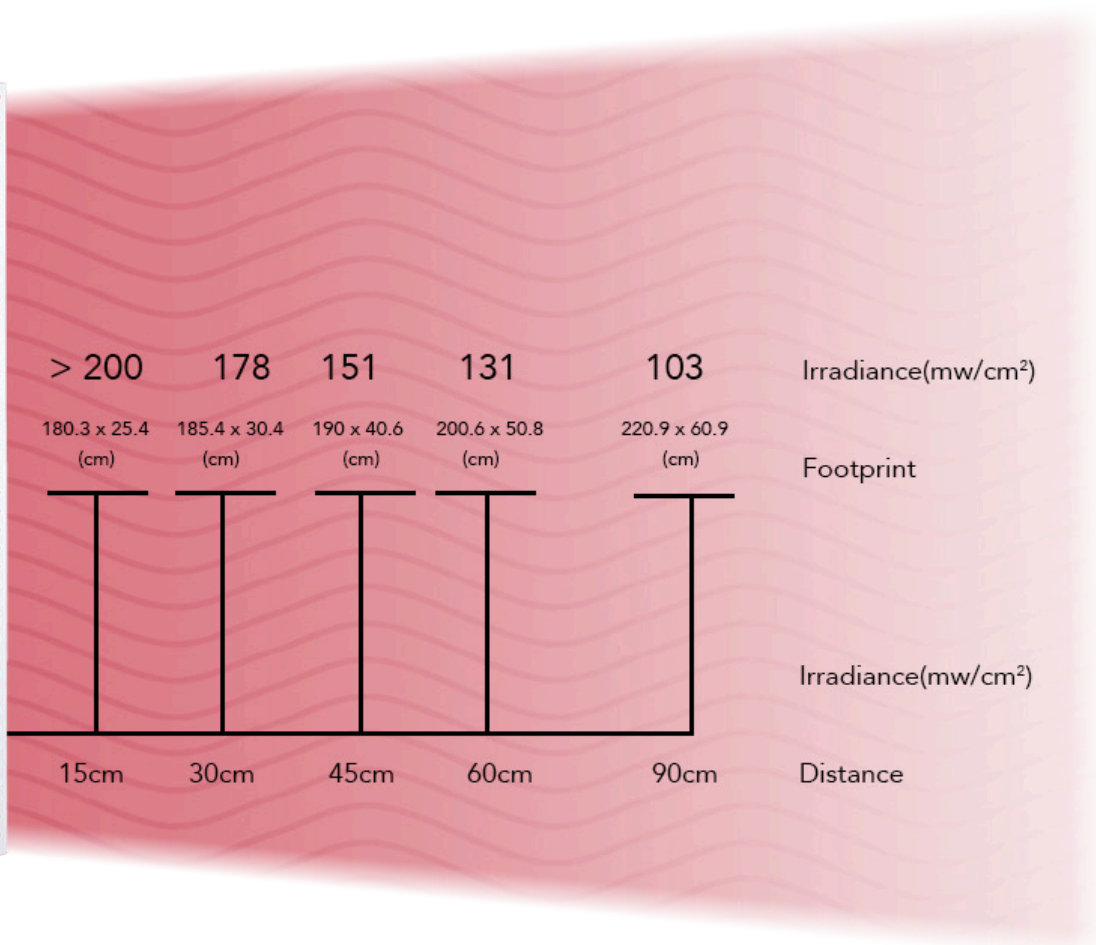




## SOLACE 3000



Product Dimensions (mm)	180cm x 29.9cm x 6.6cm
How Many LEDs on panel?	600pcsx5W
Which Wave Lengths included (nm)	630, 660, 810, 830, 850nm
LED Life	50000hrs
Hanging Options included?	Yes
Lens degree	30°
Timer settings	1-30 minutes, adjustable
Pulse Settings	0-20Hz, adjustable
Wattage Input	3000W
Wattage Output	992W



> 200

178

151

131

103

Irradiance(mw/cm<sup>2</sup>)

180.3 x 25.4  
(cm)

185.4 x 30.4  
(cm)

190 x 40.6  
(cm)

200.6 x 50.8  
(cm)

220.9 x 60.9  
(cm)

Footprint

15cm

30cm

45cm

60cm

90cm

Distance

Irradiance(mw/cm<sup>2</sup>)

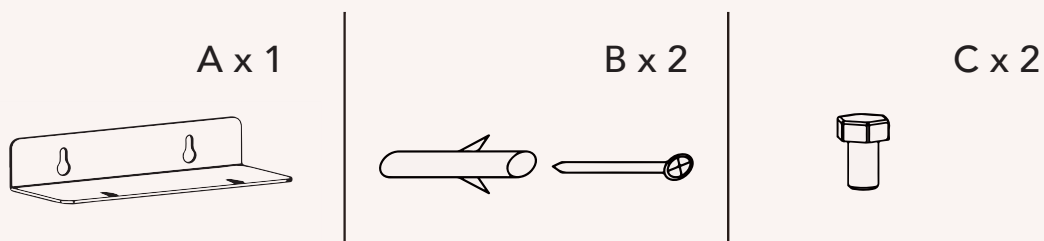
# WALL MOUNTING BRACKET INSTRUCTION

## WARNING

Please read the following warning carefully before assembling it.

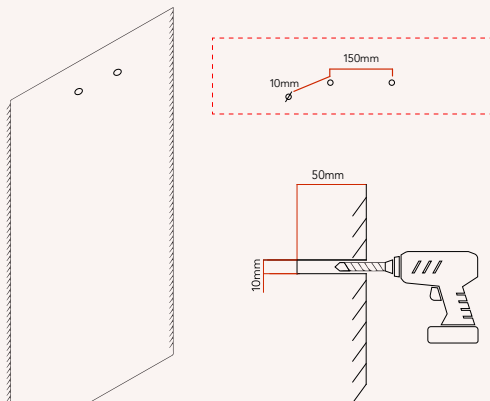
- Do not install or assemble if the product or hardware is damaged or missing, if you require replacement parts, please contact us for assistance.
- Maximum load capacity: 32KG/70.5LBS.
- Do not use this product for any other things than the original design.
- We do not cover the following damages: product been modified, improper installation or use over the specified weight tange, nature caused damage.

## PARTS LIST



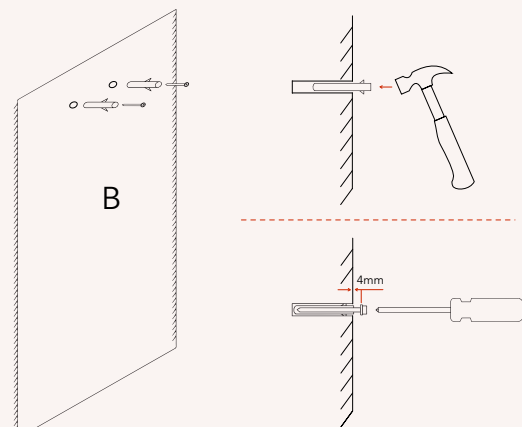
### Step 1

Drill holes in the wall as the size



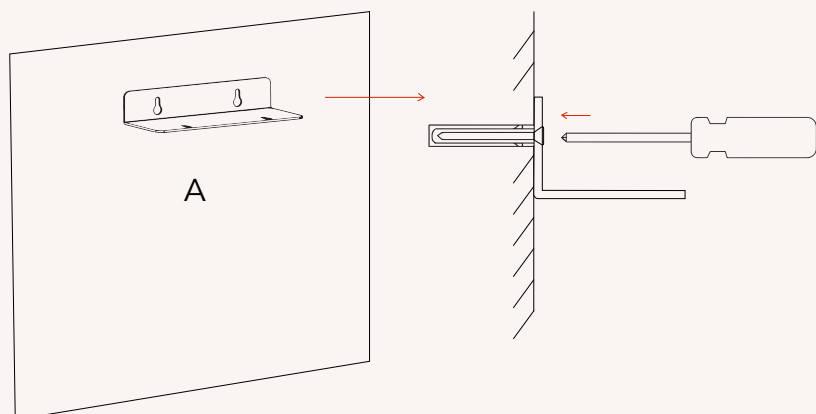
### Step 2

Drive the gray plastic case into the hole, twist the screw in and leave 4mm away from the wall.



### Step 3

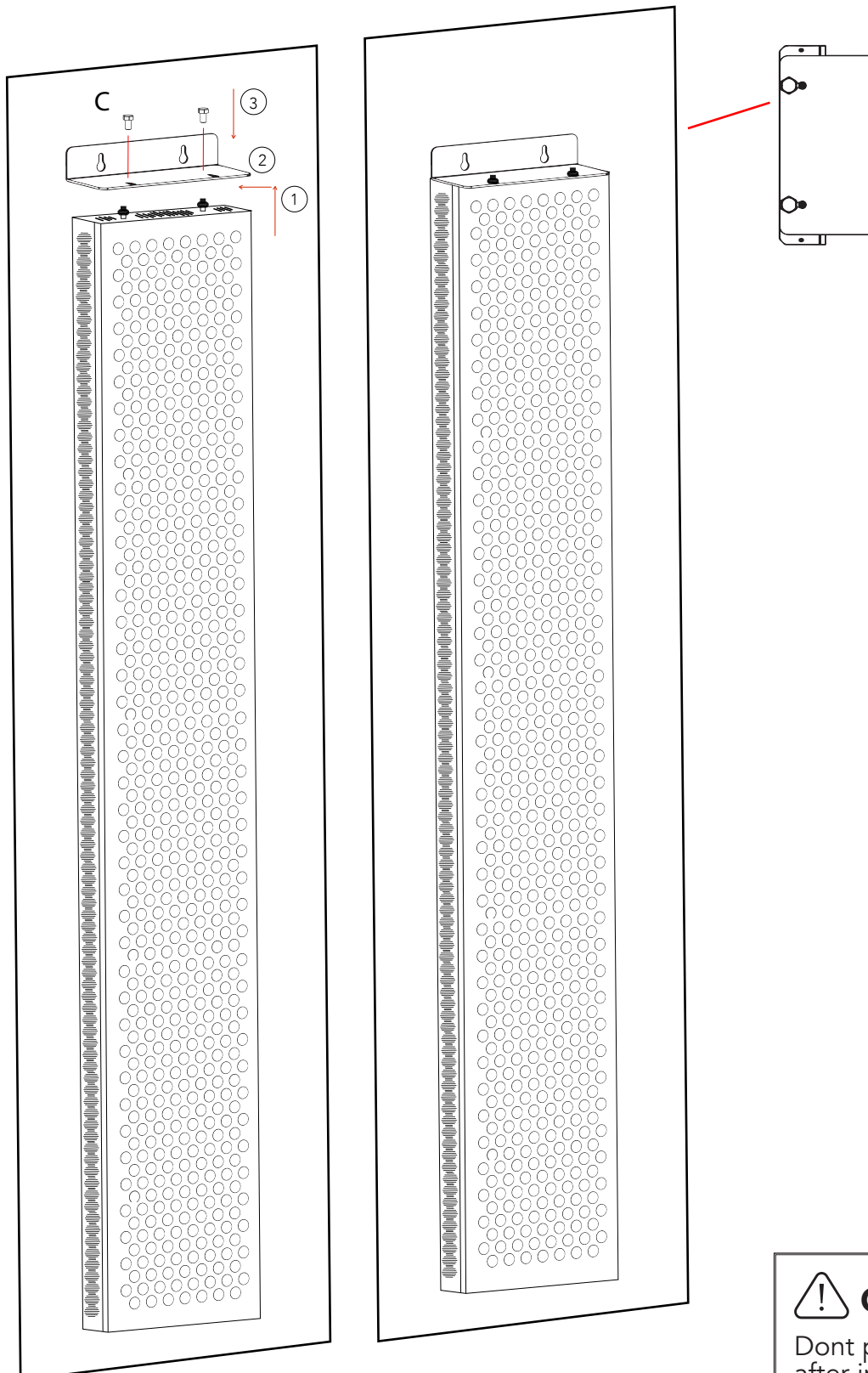
Hang up the wall bracket and tighten the screws.



## STEP 4 (SOLACE 3000)

### Hang the light

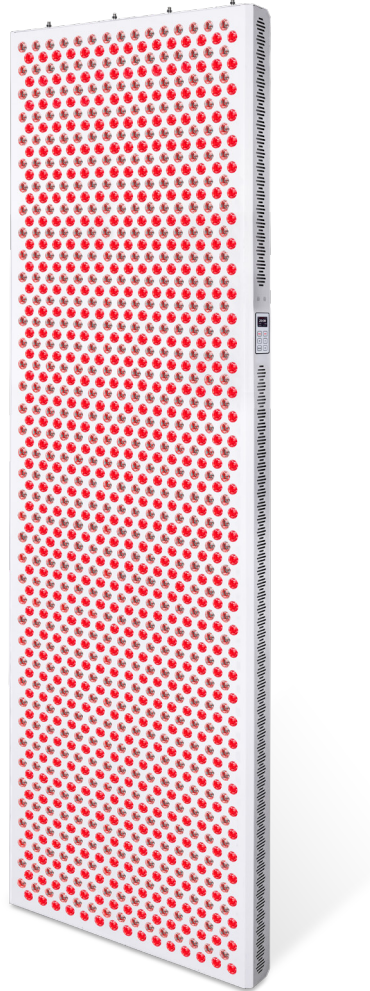
- 1 • Line up the top connectors of the light with the holes in bracket
- 2 • Slide the top connectors of the light up into the holes and then push back to lock into place
- 3 • Screw in the plastic screws in the holes



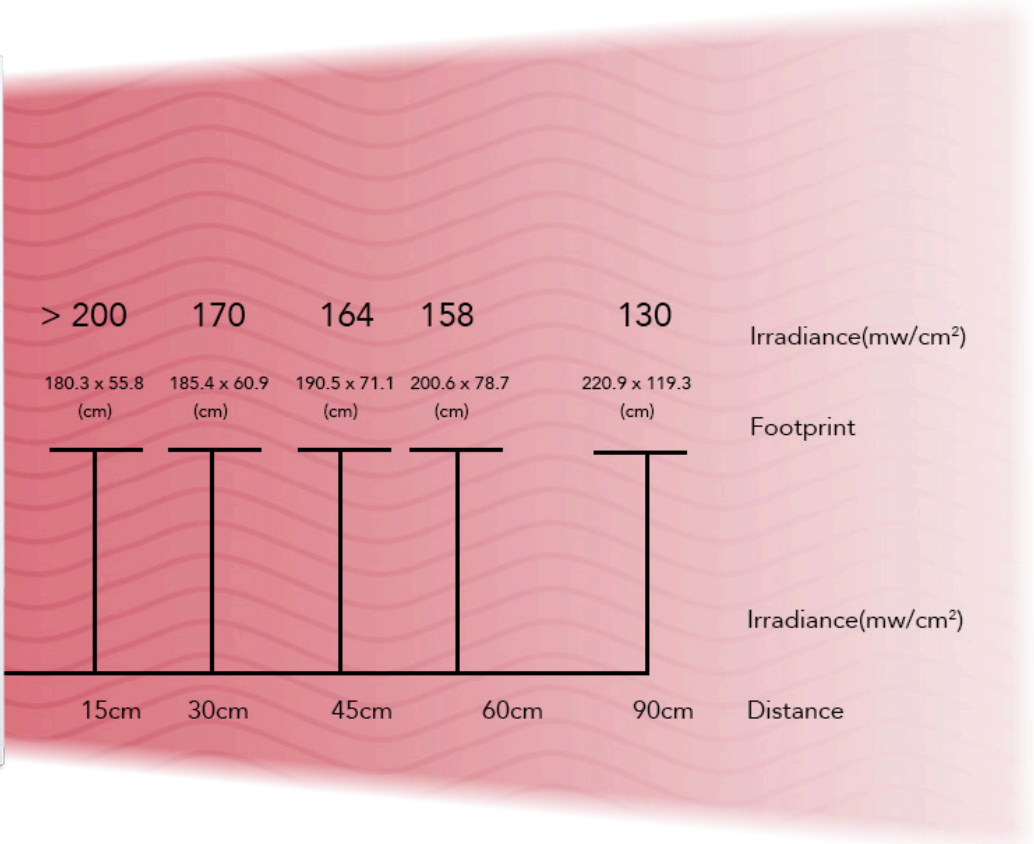
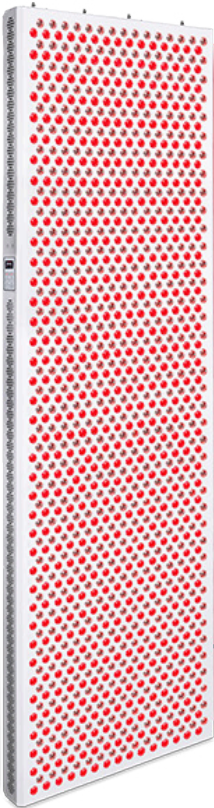
### CAUTION

Don't push the lights after installation

## SOLACE 6000



Product Dimensions (mm)	180cm x 59.9cm x 6.6cm
How Many LEDs on panel?	1200pcsx5W
Which Wave Lengths included (nm)	630, 660, 810, 830, 850nm
LED Life	50000hrs
Hanging Options included?	Yes
Lens degree	30°
Timer settings	1-30 minutes, adjustable
Pulse Settings	0-20Hz, adjustable
Wattage Input	6000W
Wattage Output	2000W



# WALL MOUNTING BRACKET INSTRUCTION

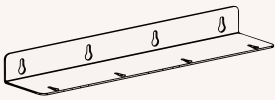
## WARNING

Please read the following warning carefully before assembling it.

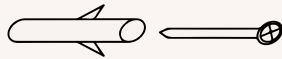
- Do not install or assemble if the product or hardware is damaged or missing, if you require replacement parts, please contact us for assistance.
- Maximum load capacity: 43KG/94.8LBS.
- Do not use this product for any other things than the original design.
- We do not cover the following damages: product been modified, improper installation or use over the specified weight tange, nature caused damage.

## PARTS LIST

A x 1



B x 4

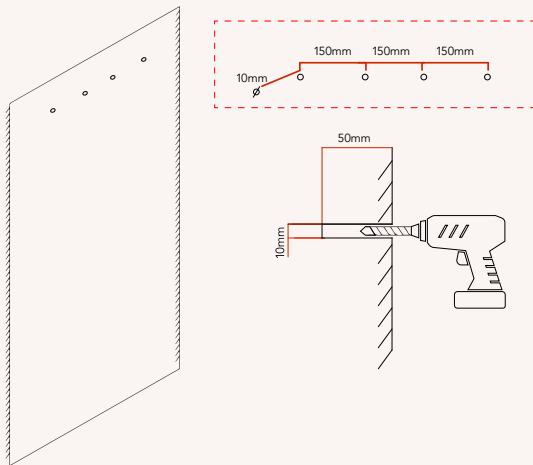


C x 4



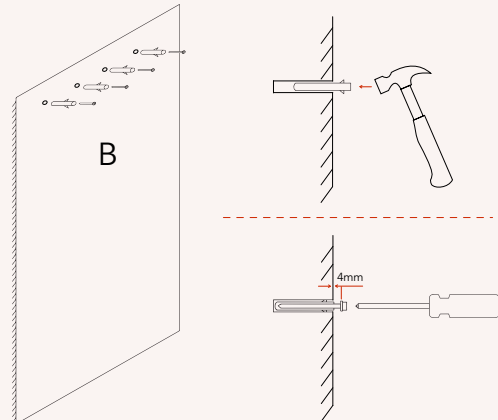
### Step 1

Drill holes in the wall as the size



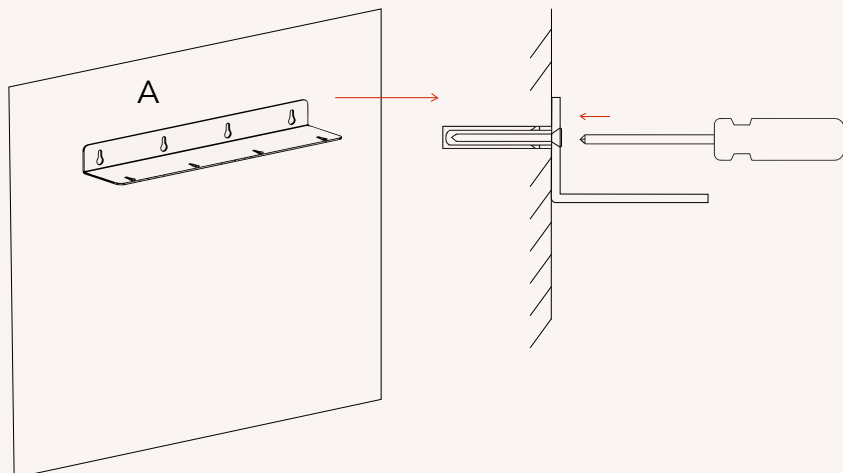
### Step 2

Drive the gray plastic case into the hole, twist the screw in and leave 4mm away from the wall.



### Step 3

Hang up the wall bracket and tighten the screws.

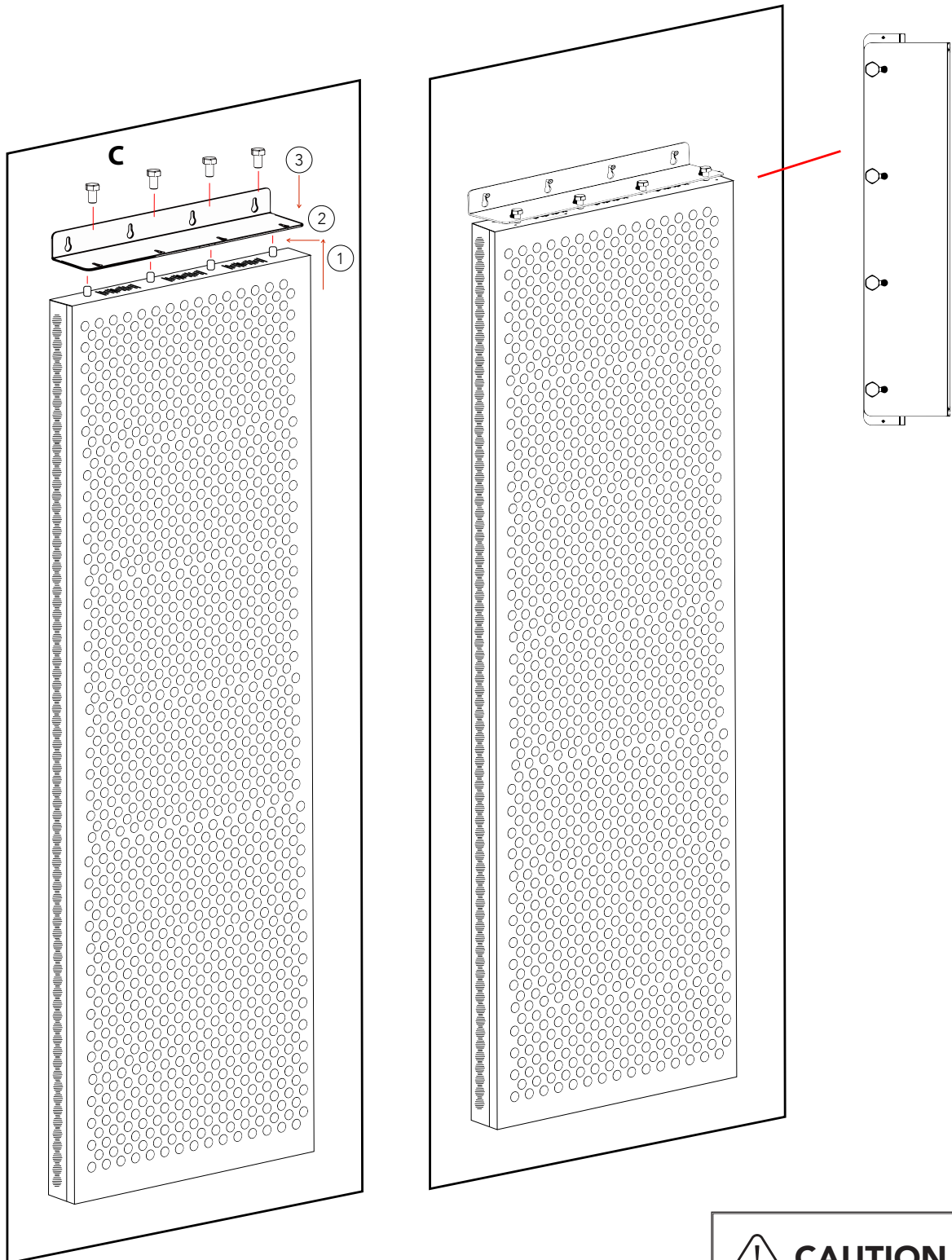




## STEP 4 (SOLACE 6000)

### Hang the light

- 1 • Line up the top connectors of the light with the holes in bracket
- 2 • Slide the top connectors of the light up into the holes and then push back to lock into place
- 3 • Screw in the plastic screws in the holes



### CAUTION

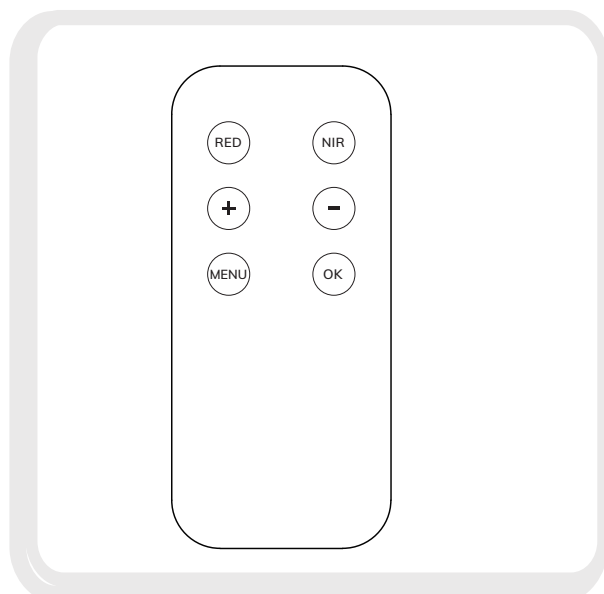
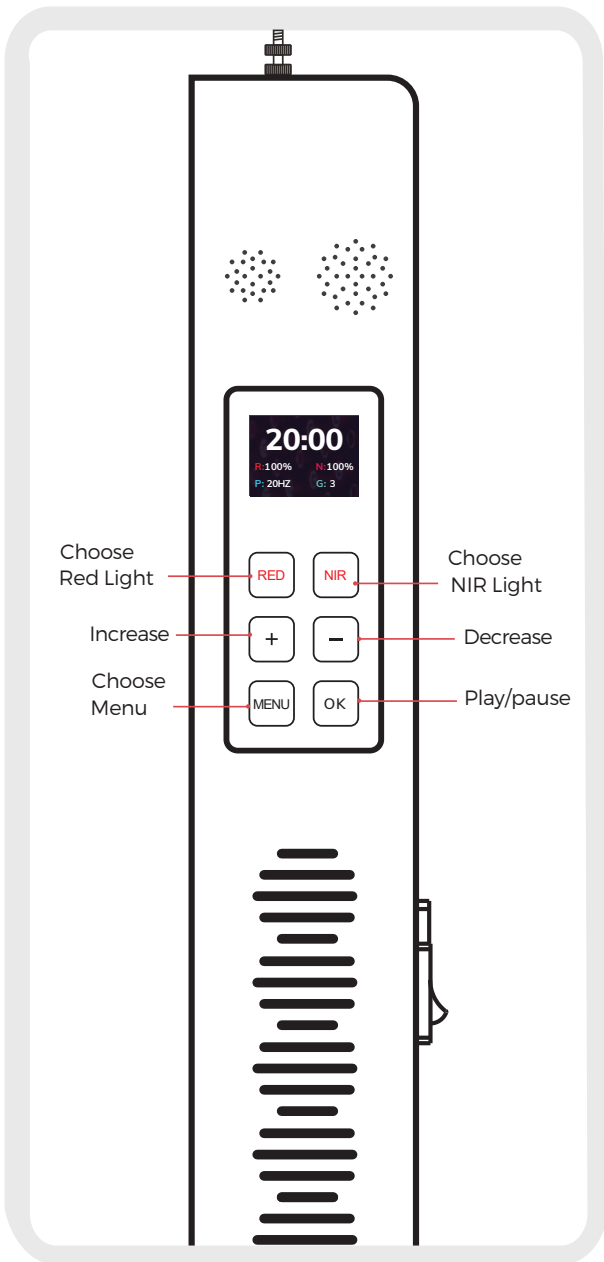
Don't push the light after installation



## TIPS & TRICKS

- Please use eye protection for all Red Light Therapy panels. Do not look directly into the LEDs at any time.
- Store in a cool and dry place for longevity of the panels.
- Don't let children use the device without adult supervision.
- Don't use the device on babies or disabled people.
- Don't use the device on open or fresh wounds.
- We recommend keeping each therapy session under 20 minutes.
- Don't use the device while sleeping.
- Never use the device in combination with products that contain heat producing ingredients as this may burn your skin.
- Don't wash electrical parts with water or other liquids.
- Don't touch the device directly with wet hands or skin.
- Don't hang, lift or carry the device by its cord. If the cord gets damaged, don't use the device.
- Don't use the device on or near heated surfaces.
- Store and use your device at temperatures of under 60C.
- Don't cover the cooling fans while operating the device.

# Setting up your Solace Series Light



## STEP ▶

- RED** Choose Red light
- NIR** Choose NIR light
- +** Increase time value, brightness percentage, group number, Pulse value
- Decrease time value, brightness percentage, group Number, pulse value
- MENU** Cyclically, you can switch time, group, pulse
- OK** Press the **OK** button once, start your treatment session. You can pause/resume the treatment at any time by pressing the **OK** button.

**Silent Mode:** Press and hold the "+" and "-" symbol at the same time and hold for 5 seconds to turn on or off the silent mode, which is available inside the content of the app



Note: A beep sound halfway in session, remind you can turn around.

**RED** 70% — Red light 0-100% adjustable, regulation precision:5%

**NIR** 70% — NIR light 0-100% adjustable, regulation precision:5%

**TIME: 30MINS** — Time: 1-30 minutes, adjustable

**PULSE: 20HZ** — Pulse 0-20Hz, adjustable

**GROUP: 3** — Groups(Maximum:3)

**20:00** — Countdown: remaining time(minutes)

**R:100%**      **N:100%** — Percentage of the current setting

**P: 20HZ**      **G: 3** — Current pulse value and group number



Remember that near infrared LEDs emit light that is NOT visible to the naked eye.



No matter which group the lamp control panel is adjusted to, the remote control can control the lamp.



## WARRANTY - 3 YEARS

Kiva Wellness are the warranty providers for Kiva Wellness products. Kiva Wellness warranty this product to be free from defects in materials and workmanship while in normal domestic use for a period of one year on parts and labour (with the exception of a life warranty on the carbon heaters) from the original date of purchase.

### LOGGING A WARRANTY CLAIM

Should you experience any issues with your product, please follow the below steps to lodge a warranty claim:

1. Contact Kiva Wellness and let them know the following details:
  - Your warranty details including name, email and phone number
  - Product name and model number
  - Product serial number, found on the rating label of the product
  - Explanation of how the damage occurred
  - Photos of the damage or issue is highly beneficial to expediting your claim
2. Kiva Wellness will assess your claim and respond within 24-48 hours. If the product exhibits a defect while in normal domestic use and within the warranty period; Kiva Wellness will either repair or replace the product or defective part free of charge.
3. In the event that the product is required to be sent to the service centre, the customer is required to pay for all packing, freight and insurance costs for transit of the product to Kiva Wellness. This is subject to the applicable consumer laws in your jurisdiction.
4. If the product, or one of its parts, qualifies for replacement or service within the 30-day period after the date of purchase, Kiva Wellness will arrange the shipping at no cost to you.
5. Any product sent to Kiva Wellness must include a return authorisation form that will be provided to you after your warranty claim is accepted. Failure to include this form may result in the product being rejected from the warehouse or a delayed service time.
6. In the event that the warranty period for a product has expired, or if a product does not qualify for warranty service, repair or replacement, customers can still buy replacement parts or have products repaired by one of the Kiva Wellness service centres. Please contact Kiva Wellness for further information. Kiva Wellness will contact you with a quote prior to undertaking any service work outside of the warranty coverage.
7. Typical turn-around times to address warranty claims can be between 10-14 business days, plus shipping, depending on location and type of damage or warranty claim.
8. In no event will the liability exceed the retail value of the product. We make no warranty with respect to parts, from a source other than Kiva Wellness.

9. In the event that warranty parts or products are provided, the customer must cover the related shipping costs to receive goods.

10. All exchanged or substitute parts and products replaced under warranty service will become the property of Kiva Wellness. Repaired or replaced products or parts thereof will be warranted by Kiva Wellness for the balance of the original warranty period.

11. (Australia only) Kiva Wellness goods come with guarantees that cannot be excluded under the Australian Consumer Law. You are entitled to a replacement or refund for a major failure and compensation for any other reasonably foreseeable loss or damage. You are also entitled to have the goods repaired or replaced if the goods fail to be of acceptable quality and the failure does not amount to a major failure.

## **WARRANTY DOES NOT COVER**

1. Damage, accidental or otherwise, to the product, not caused by a direct defect in factory workmanship or materials.

2. Damage due to abuse, mishandling, alteration, misuse, commercial service, tampering, accident, failure to follow the care, operating and handling provisions indicated in the instructions.

3. Damage caused by parts or services not authorised or performed by Kiva Wellness.

4. 'Normal' wear and tear that naturally and inevitably occurs as a result of normal use or ageing.

5. Some states do not allow the exclusion or limitation of incidental or consequential damages. Therefore, the above limitations may not apply to you in the case of damage in shipment. If your product was damaged in shipment: Immediately report this type of damage to the parcel carrier and have them file an inspection report to contact the distributor from whom you purchased the product for further instructions.

6. You have rights and benefits under the consumer laws in your jurisdiction. Without detracting from these rights or benefits, Kiva Wellness excludes all liability in respect of this product for any other loss which is not reasonably foreseeable from a failure of this product, which may include liability for negligence, loss of expenditure associated with the product and loss of enjoyment.



# KIVA WELLNESS

ELEVATE YOUR WELLNESS & RECOVERY

[KIVAWELLNESS.COM.AU](http://KIVAWELLNESS.COM.AU)

07 4270 8000

@kivawellness   

Kiva Wellness products should not be considered medical devices, and should be treated as general wellness products only. Our product range has not been designed to prevent or treat medical conditions, and we recommend you consult a health practitioner if you are unsure about whether a Kiva Wellness product is suitable for you.