



KIVA WELLNESS  
REJUVAIR SAUNA  
**2-4 PERSON USER MANUAL**



Get ready to relax, restore,  
reset and rejuvenate with your new Kiva Wellness  
RejuvAir sauna.




We are so excited for you to start your sauna  
journey and experience all of the health benefits  
your sauna has to offer.

Please read the user manual carefully before using,  
pay special attention to the safety precautions and  
keep for future reference.

Experience unparalleled comfort with our unique  
back physiotherapy lights, hidden infrared foot  
therapy, and ergonomic soft cushioning  
all designed to cater to your well-being.  
Embrace the transformative power of full  
spectrum therapy, expertly engineered to alleviate  
pain, detoxify your body, and elevate your spirit.

[KIVAWELLNESS.COM.AU](https://www.kivawellness.com.au)

[SUPPORT@KIVAWELLNESS.COM.AU](mailto:SUPPORT@KIVAWELLNESS.COM.AU) | 07 4270 8000

@kivawellness   





# CONTENTS

—

4

Kiva Sauna Promise

5

Safety Sheet

6

Installation Requirements

7

Parts & Features

9

Installation Process

16

Control Panel & Remote

19

Trouble Shooting

20

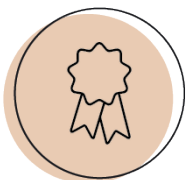
Cleaning & Maintenance

21

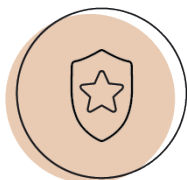
Warranty

# Kiva Sauna Promise

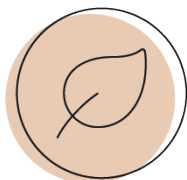
ELEVATING YOUR WELLNESS & RECOVERY  
THROUGH INNOVATIVE TECHNOLOGY



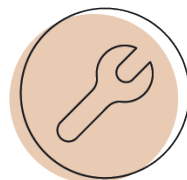
STUDIO  
QUALITY



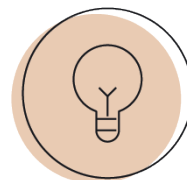
LIFETIME WARRANTY  
ON HEATERS



NON-TOXIC  
MATERIALS



EASY TO  
ASSEMBLE



ENERGY  
EFFICIENT

# Safety Sheet

- The Kiva Wellness RejuvAir sauna is designed to be stand alone or built-in to your bathroom, pool, or spa area.
- It is recommended to install the sauna indoors for maximum protection and longevity.
- If installed outside, whether it's on a deck, veranda or in a purpose built space, it must always be completely covered and sheltered from rain, moisture, and other elements in order to protect the naturally untreated wood finish.
- Children should be supervised at all times. Children over the age of 6 years may use the sauna under adult supervision.
- The sauna should not be used if you have any open wounds, eye diseases or severe sunburn.
- Elderly, pregnant women and infants should not use the sauna.
- Exit the sauna immediately if you feel uncomfortable, dizzy, or sleepy.
- People with health conditions or diseases directly related to temperature should consult their doctor before using the Kiva Wellness Full Spectrum Sauna.
- **CAUTION:** Hyperthermia can occur when the internal temperature of your body reaches a level several degrees above normal body temperature of 37°C (98.6°F).
- The symptoms of hyperthermia include an increase in the internal temperature of the body, dizziness, lethargy, drowsiness, and fainting.
- The effects of hyperthermia include failure to perceive heat and to recognise the need to exit the room, unawareness of impending hazards, significant harm to pregnant women, physical inability to exit the room, and unconsciousness.
- Do not use the sauna if under the influence of drugs or alcohol.
- **WARNING:** The use of alcohol, drugs, or medication is capable of greatly increasing the risk of fatal hyperthermia.
- Remove all jewellery before entering the sauna.
- To avoid fire, do not dry clothes or leave any towels in the sauna.
- While in the sauna, do not touch the light bulb. If the bulb needs to be changed, switch the sauna off and wait until the light bulb has completely cooled.
- Do not spray water on the far-infrared heating elements. This activity may result in electric shock or damage to the heating elements.
- Do not place pets in the sauna.
- If the sauna becomes too warm, open the vent in the ceiling or open the front door.
- After your sauna session, turn off and unplug the power cord.

# Installation Requirements

## **3 & 4 Person RejuvAir Sauna Only:**

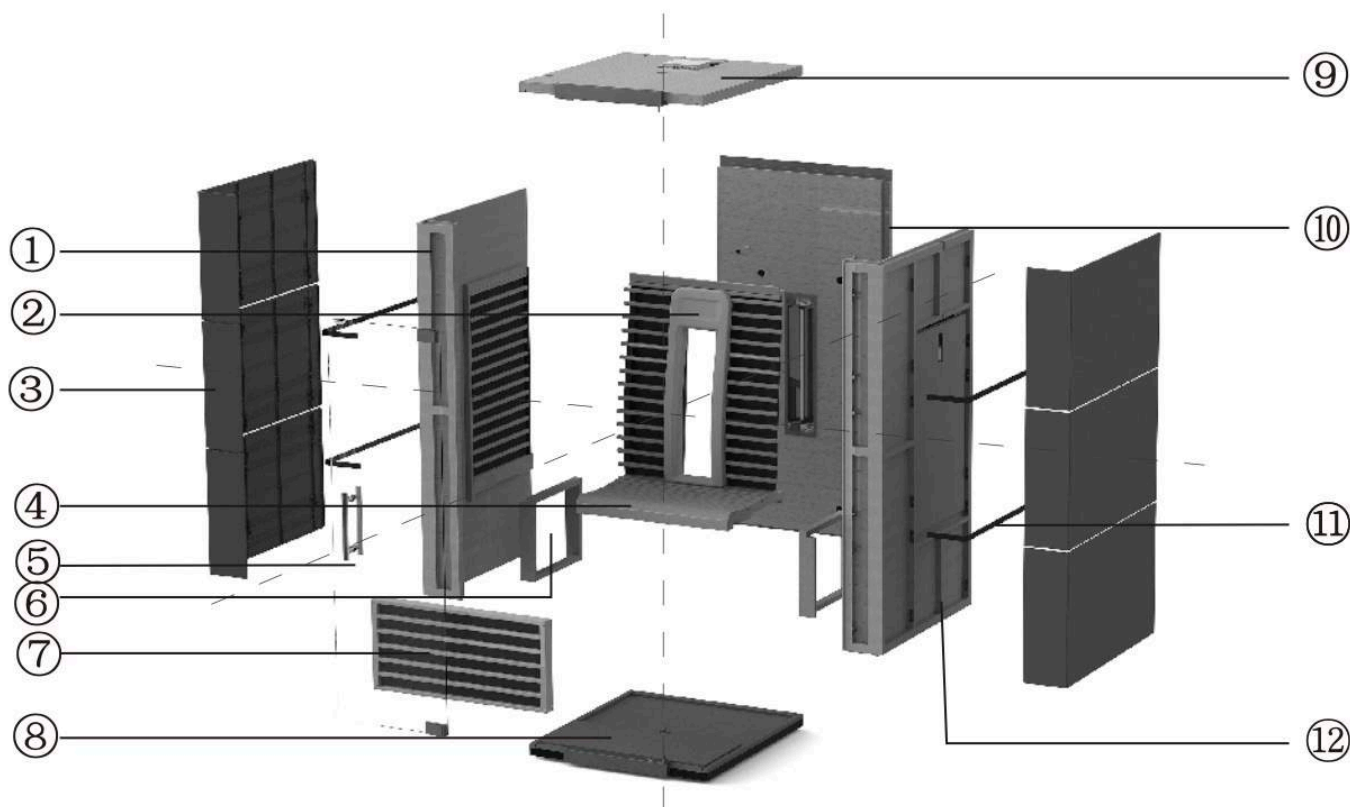
- We highly recommend having a certified electrician install a dedicated outlet (15amp) for the sauna.

## **General**

- Before connecting the sauna to a power source, please ensure all the wires, cords and connections are properly connected.
  - Plug the sauna into a proper wall power outlet. Do not share the same outlet with any other appliances.
  - Install the sauna on a completely level surface and in an area that is dry and protected from the weather.
  - **WARNING:** To reduce the risk of electrocution and burns, do not operate unless the heater panel bumpers are correctly in place.
  - **CAUTION:** Do not place combustible materials on or against heaters at any time.
  - To reduce risk of electric shock and/or fire, do not expose the control system to water or rain. Do not open the cover to the control system as there are high tension fittings that can be dangerous. Only authorised and approved technicians should make any necessary repairs.
  - Any unauthorised repairs, alterations or modifications can lead to serious injury and can cause the sauna to operate outside its intended specification parameters which will void the warranty.
  - **WARNING:** Reduce the risk of electrocution by disconnecting the power supply before servicing.
  - Do not spray the exterior with water. If the area you are installing the sauna has a tendency for dampness, place rubber matting or other suitable barriers underneath the sauna.
  - Keep all liquids away from the heating panels and electronics.
  - Keep flammable objects and corrosive chemical substances away from the sauna.
  - To prevent burns or electrical shock, do not touch or use metal tools on the far-infrared heating elements or the net cover of the far-infrared heating elements.
-



# Parts & Features



1 - Left panel

2 - Backrest

3 - Outer decorating board

4 - Bench

5 - Glass door

6 - Pedestal support

7 - Bench panel

8 - Bottom panel

9 - Roof panel

10 - Back panel

11 - Outer waist trim

12 - Right panel

## Product Composition

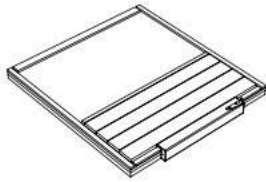
Model	2 Person	3 Person	4 Person
Size	1350*1050*1950mm	1600*1050*1950MM	1800*1050*1950mm
Power	2105W	2555W	3175W
- Side Panel	380W*2	380W*2 800*525mm	380W*2 800*525mm
-Back Panel	220W*1	160W*2 800*270mm	160W*3 800*270mm
- Redlight Heating tube	350W*2	350W*3	350W*4
- Bench Suport	350W*1	350W*1 1000*370mm	230W*2 700*370mm
- Floor Panel	75W*1	75W*1 1000*300mm	75W*1 1000*300mm



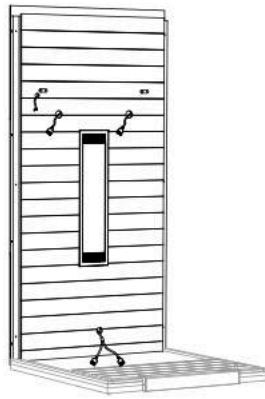
No	Item	Optional Specification	Qty	No	Item	Optional Specification	Qty
①	Outer Decorating Board	Black	6	⑥	Multi-media	FM+MP3	1
①	Outer Decorating Board	White	6	⑥	Multi-media	Bluetooth+FM+MP3	1
①	Outer Decorating Board	Customised	6	⑥	Multi-media	WiFi+Bluetooth+FM+MP3	1
②	Door Hinge	Black	1	⑦	IR Heater	Spectrum	1-2
②	Door Hinge	Gold	1	⑦	IR Heater	Ceramic	1-2
②	Door Hinge	Silver	1	⑦	IR Heater	Manganese	1-2
③	Heater Cover	Black	1-2	⑧	Ventilating Fan	Manual Control	1
③	Heater Cover	Silver	1-2	⑧	Ventilating Fan	Remote Control	1
④	Power Conditioner	Yes-No	1-2	⑨	Backrest/Bench	Fashion (Vertical Shape)	1
⑤	PU Back Cushion	Yes-No	1-2	⑨	Backrest/Bench	Comfort( Inclined Shape)	1



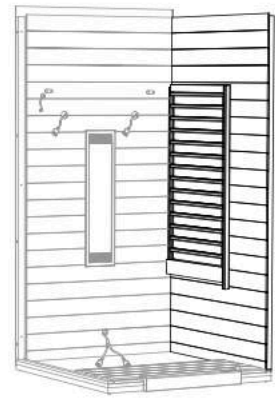
# Installation Process



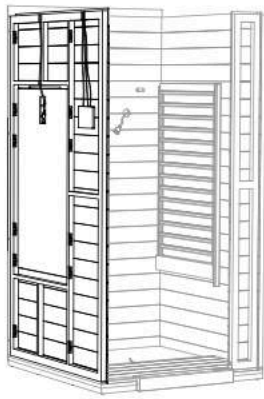
①



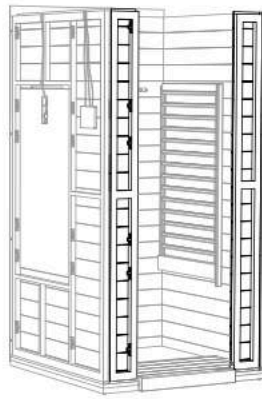
②



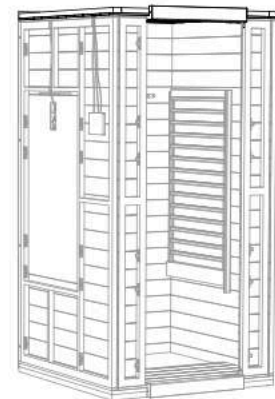
③



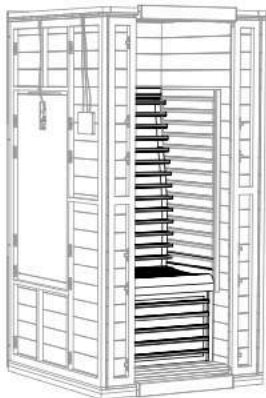
④



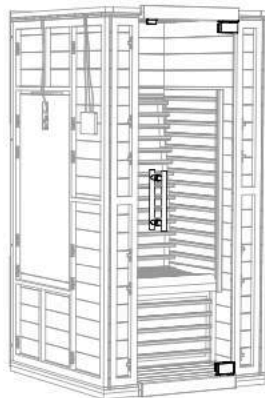
⑤



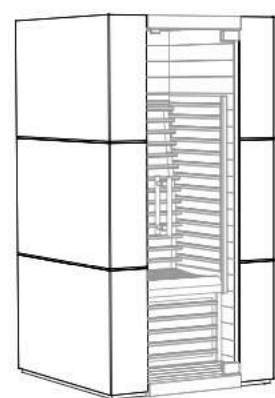
⑥



⑦



⑧



⑨

---

**1 - Install bottom panel:** Find a flat ground

**2 - Install back panel:** Find the corresponding mortise and tenon

**3 - Install right panel:** Fasten screw as shown in the graphic after joint the mortise and tenon

**4 - Install left panel:** Fasten screw as shown in the graphic after joint the mortise and tenon

**5 - Install front panel:** Fasten screw as shown in the graphic after joint the mortise and tenon

**6 - Install roof panel:** Fasten screw as shown in the graphic after joint the mortise and tenon

**7 - Install inside parts:** As shown in the graphic

**8 - Install glass door:** As shown in the graphic

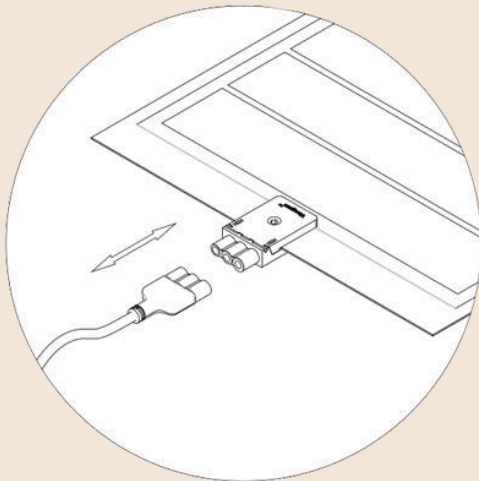
**9 - Install outer decorating board:** As shown in the graphic



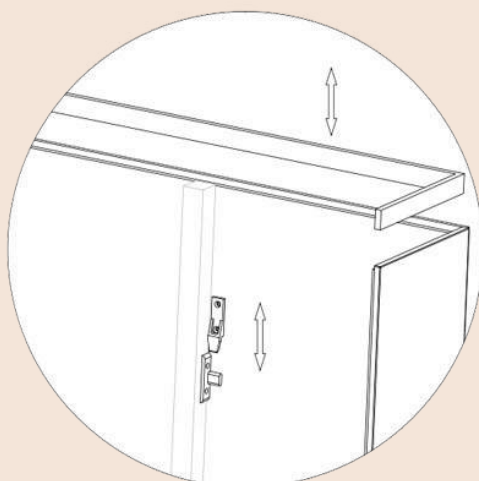
Fasten screws on main boards involving the steps in the installation process 3, 4, 5 & 6.



Fasten screws on small parts involving the steps in the installation process 7.

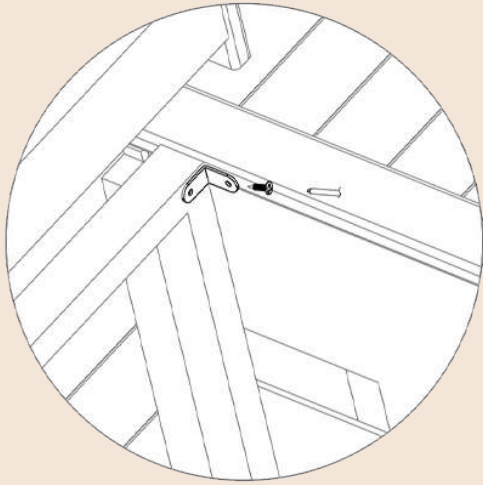


Connecting heater plug and light plug involving the steps in the installation process 2 & 7.

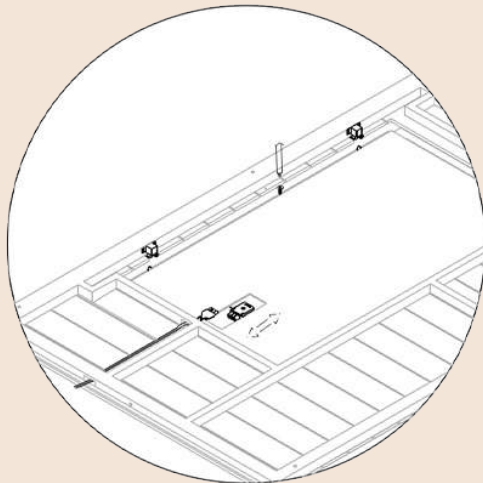


Install outer decorating boards involving the steps in the installation process 9.

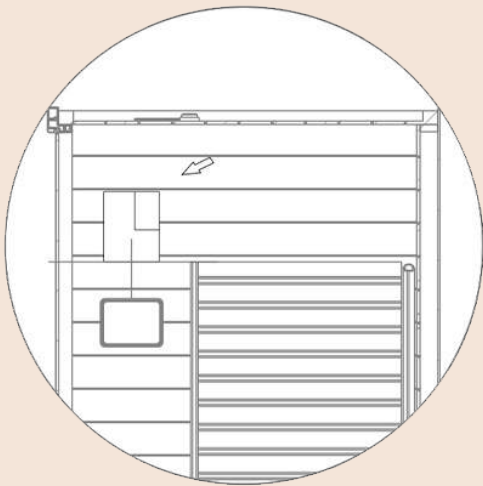




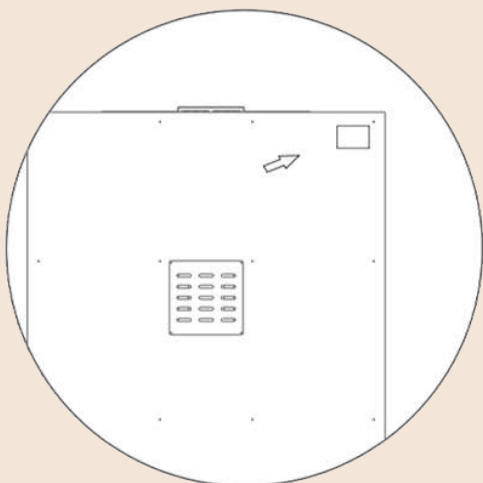
Fix bench panel, involving the steps in the installation process 7.



Fix the mesh frame of side panel involving the steps in the installation process 6, after installing side panel, take out the mesh frame of side panel, then fix screws.

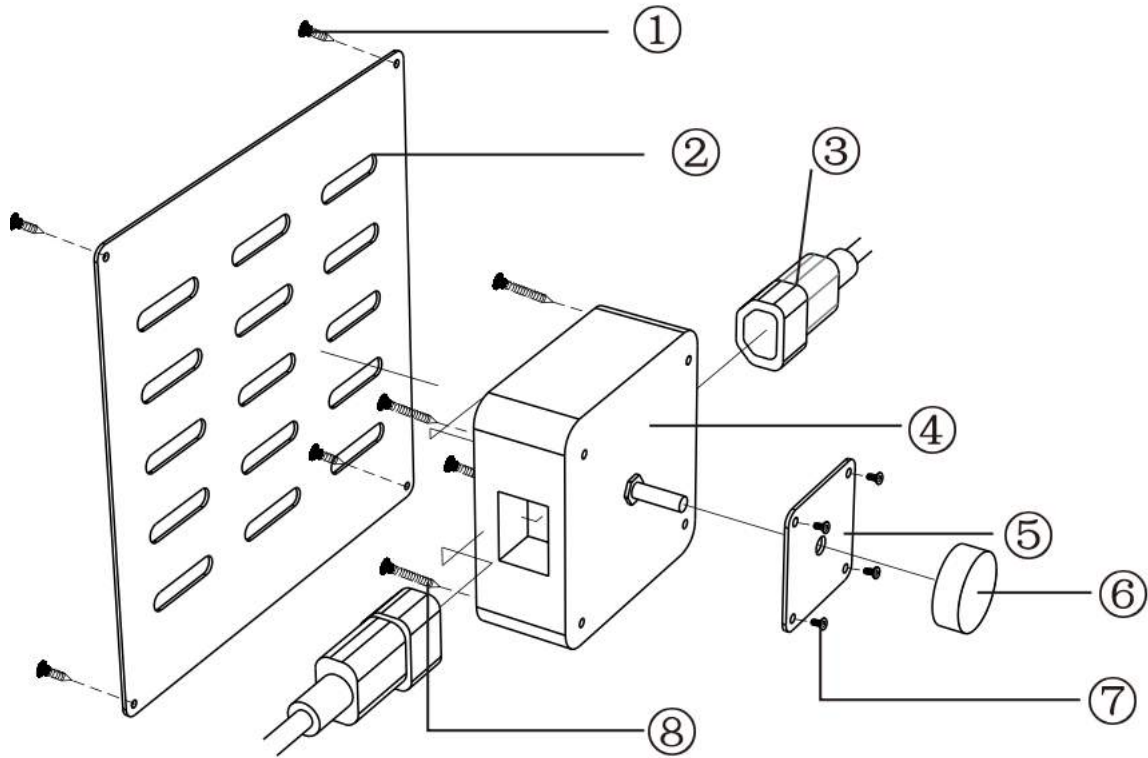


Stick safety board involving the steps in the installation process 9.

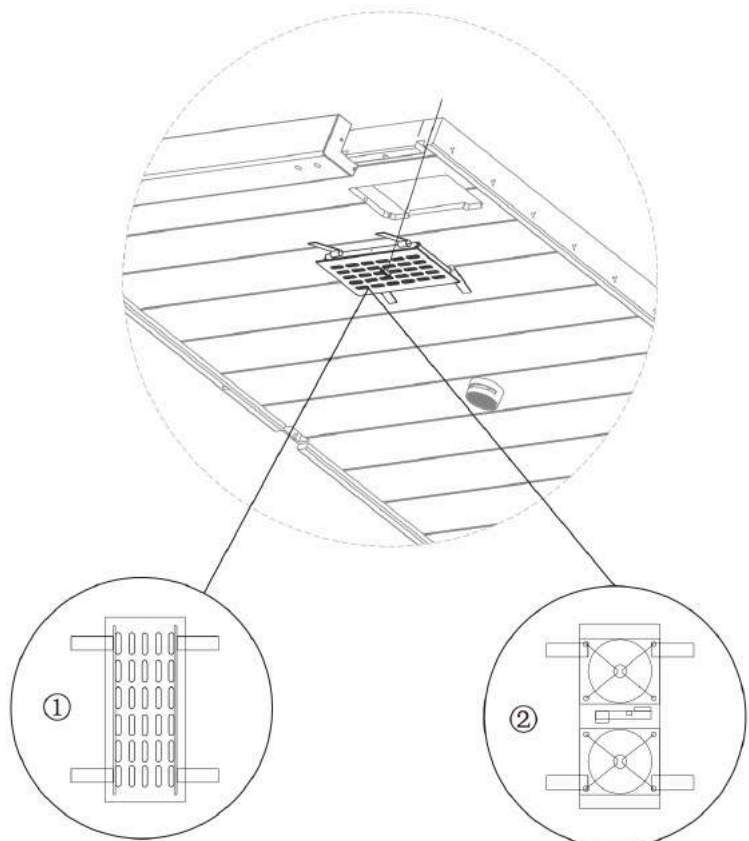


Stick nameplate involving the steps in the installation process 9.

# Power controller & ventilating fan installation

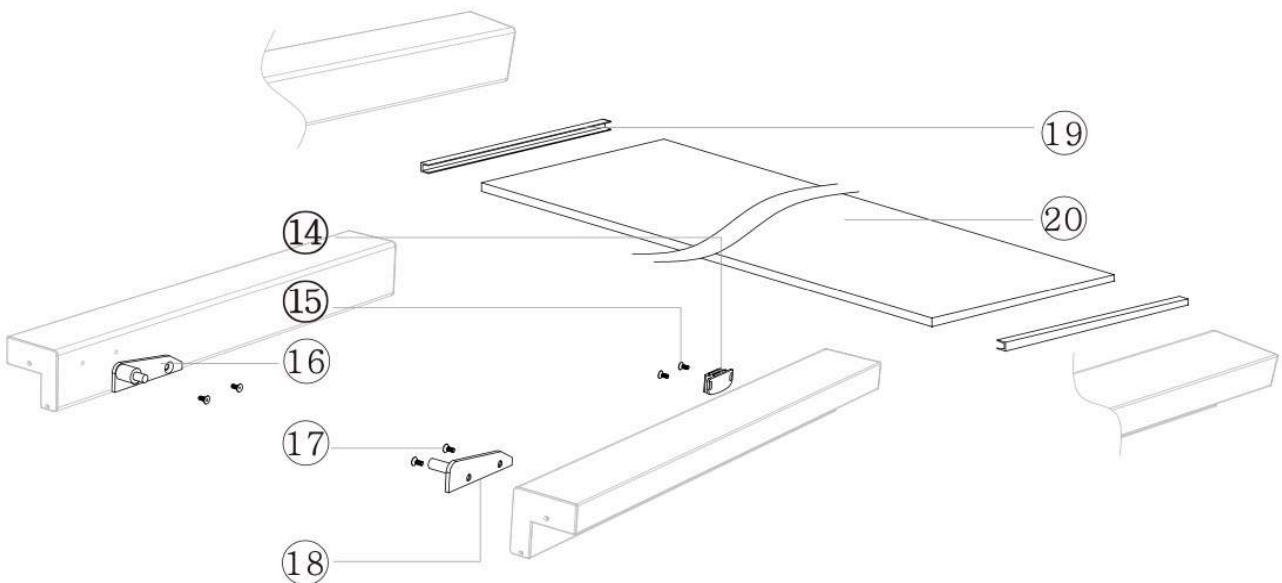
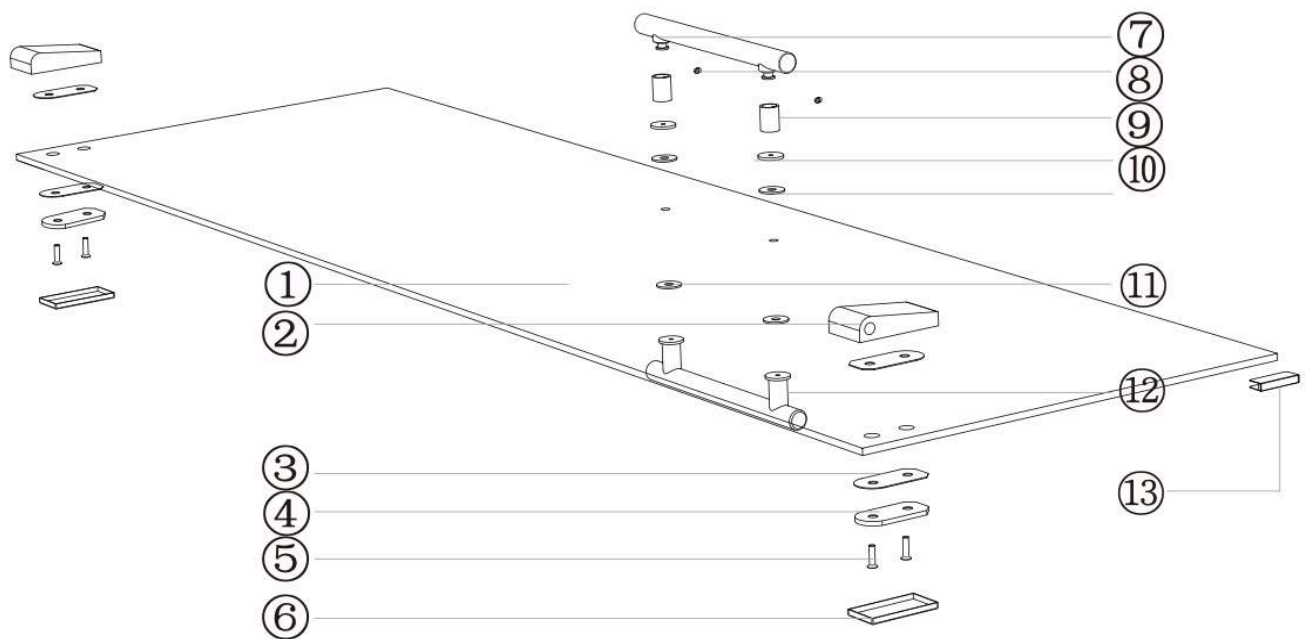


- 1 - Aluminum rear cover screw
- 2 - Aluminum rear cover
- 3 - Electrode plug
- 4 - Power conditioner
- 5 - Aluminum nameplate
- 6 - Knob
- 7 - Aluminum nameplate screw
- 8 - Power conditioner screw





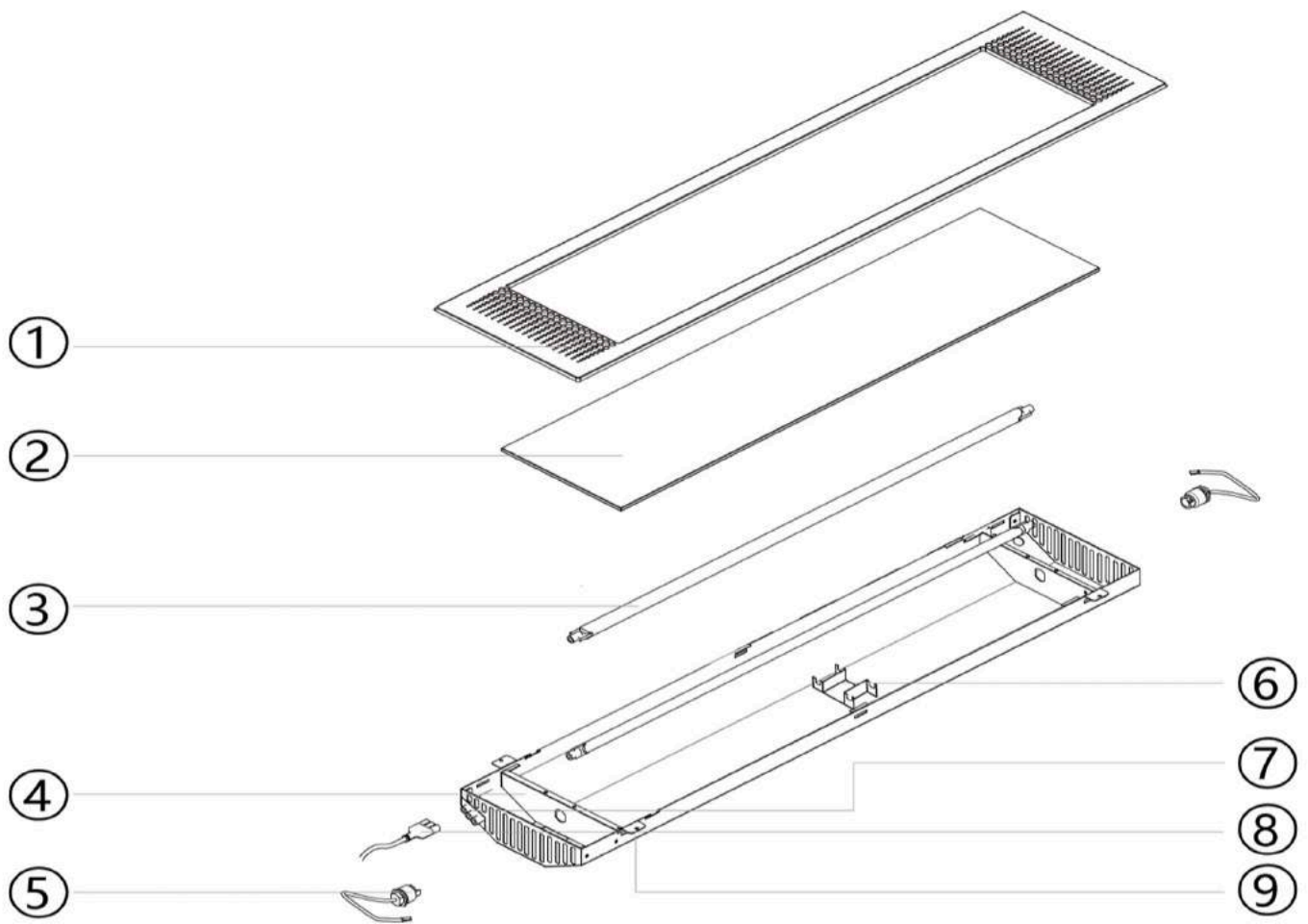
# Glass door & ironware installation



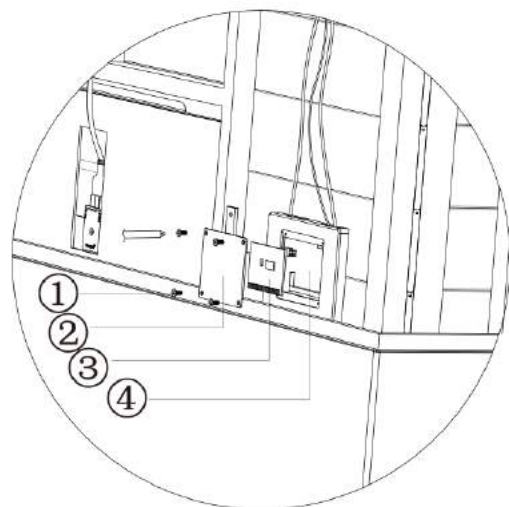
- 1 - Glass
- 2 - Aluminum Hinges
- 3 - Rubber Cushion
- 4 - Pallet
- 5 - Bolt
- 6 - Rear Cover
- 7 - Exterior Metal Handle
- 8 - Bolt
- 9 - Metal Parts
- 10 - Metal Cushion

- 11 - Rubber Cushion
- 12 - Interior Wood Handle
- 13 - Door Clip
- 14 - Door Magnet
- 15 - Bolt
- 16 - Upper Hinge Plate
- 17 - Bolt
- 18 - Lower Hinge Plate
- 19 - V2000 Rubber Strip
- 20 - V2000 Window Glass

# Replaceable heating rod installation



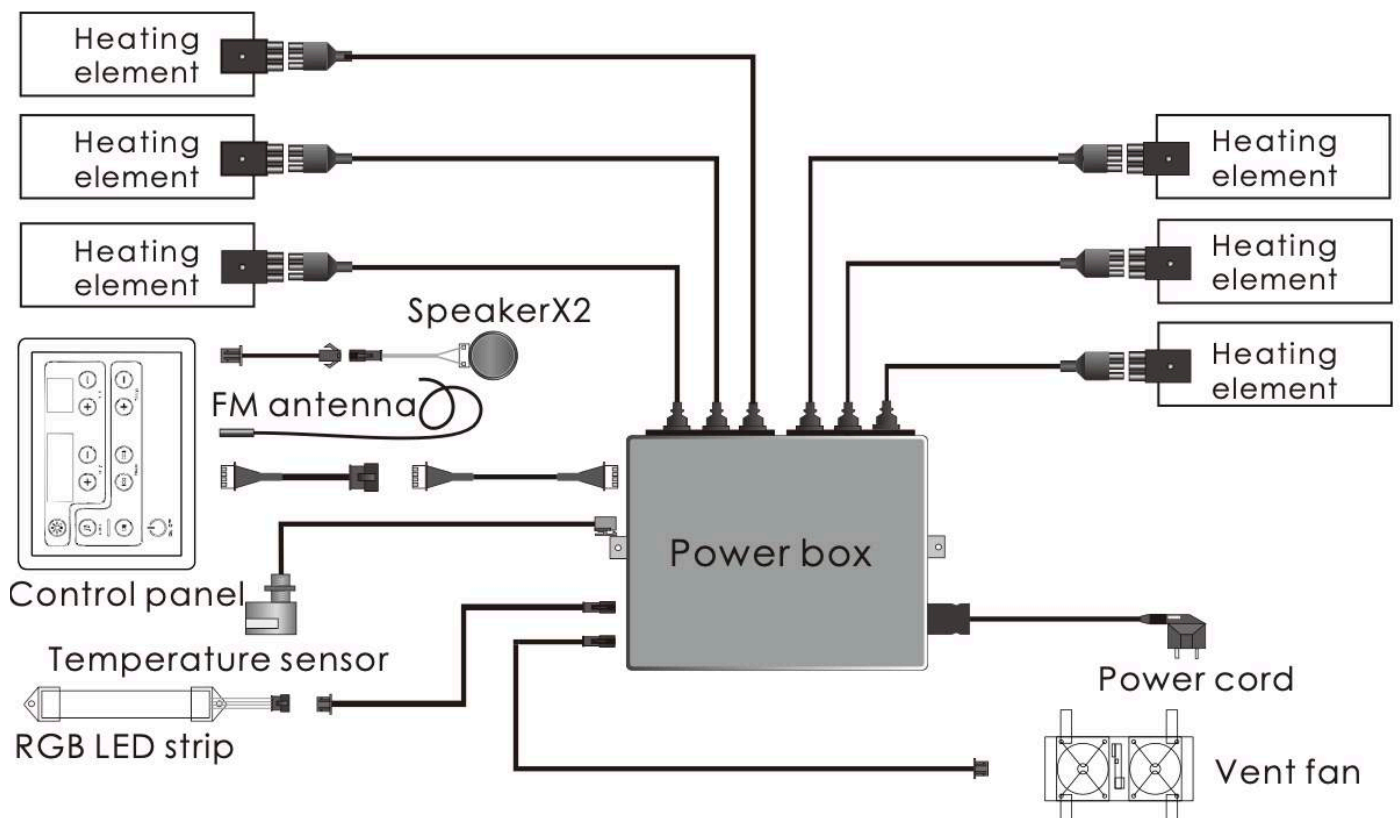
- 1 - Metal cover
- 2 - Microcrystal glass
- 3 - Redlight heating tube
- 4 - Metal reflector
- 5 - Heater butt joint
- 6 - Heating tube fixing clip
- 7 - Heater docking jack
- 8 - Heater socket
- 9 - Set screw fastener



- 1 - Bolt
- 2 - Rear cover
- 3 - Media board
- 4 - Control panel

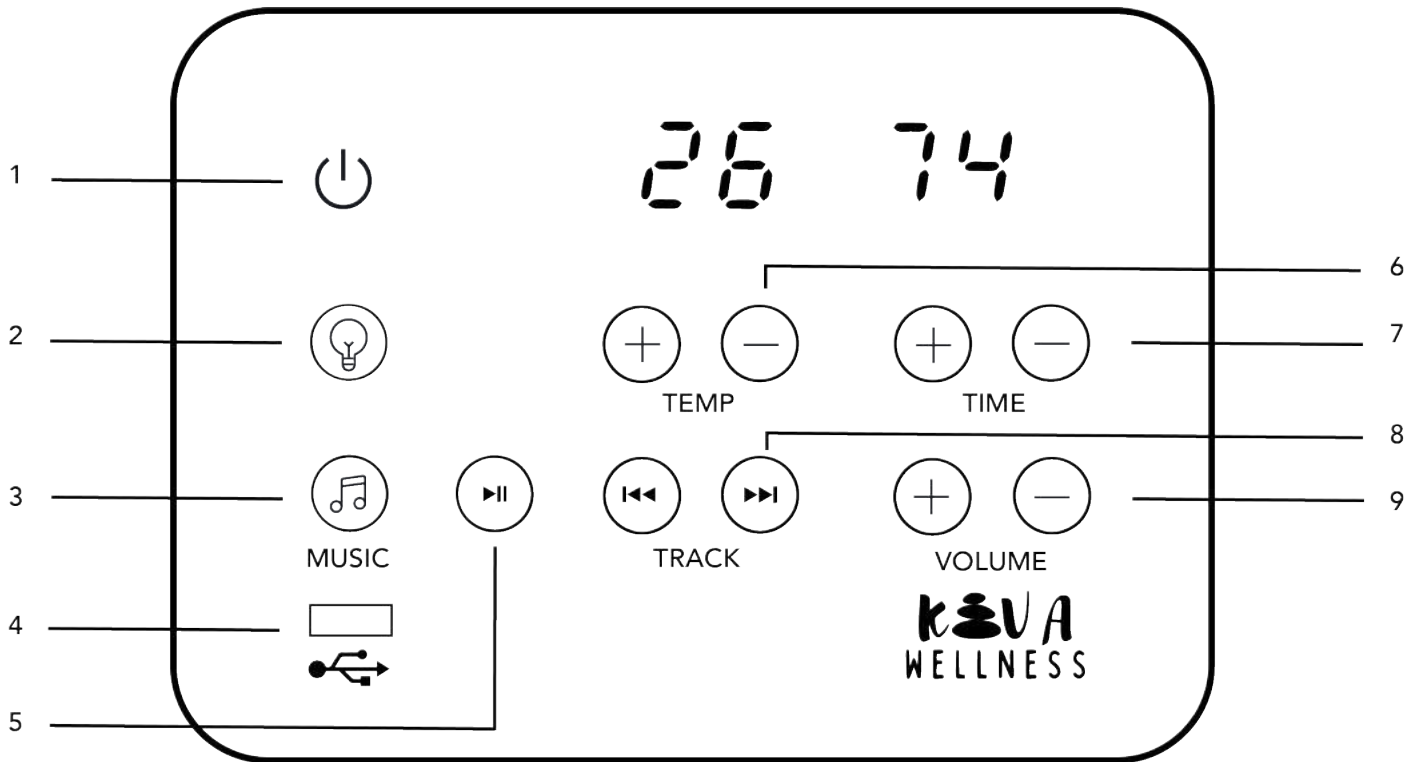


# Electronic parts installation



1. Make sure external voltage fit product voltage allowance
2. Connect cable plug into external power socket which shares no other electronic appliance.
3. Initiate infrared heating system by touching the power key on the control panel and shut down it by touching the same key. If you do not use the machine, please unplug it.
4. Preheat sauna before use. We recommend keeping hydrated before, during and after your sauna session.
5. Please wait for a while inside when therapy is concluded till the temperature cool down to avoid any possible uncomfortable due quick temperature drop.
6. Please do not lay anything in front of the door.
7. Please do not lay anything inflammable or chemical substances near the product.
8. Please do not dry clothes or towel to avoid fire.
9. Avoid having water come in contact with the heaters to prevent electronic shock and any damage to the heaters.
10. Please do not touch any metal surface on the cover of the heaters to avoid burn.
11. Please be aware of the exposed heating panels. Don't touch them when turned on or still hot.

# Control System (Panel & Remote)



**1 - Power Button:** Touch this button to turn the sauna on or off.

**2 - Light Mode Button:** Touch this button to turn the light on or off.

Press and hold the light button for 3 seconds until you hear a beep, then lightly quick tap the light button to cycle through the colours.

**3 - Multimedia Button:** Touch this button to select FM radio, bluetooth or MP3.

**4 - USB Function:** Touch this button to start the USB function.

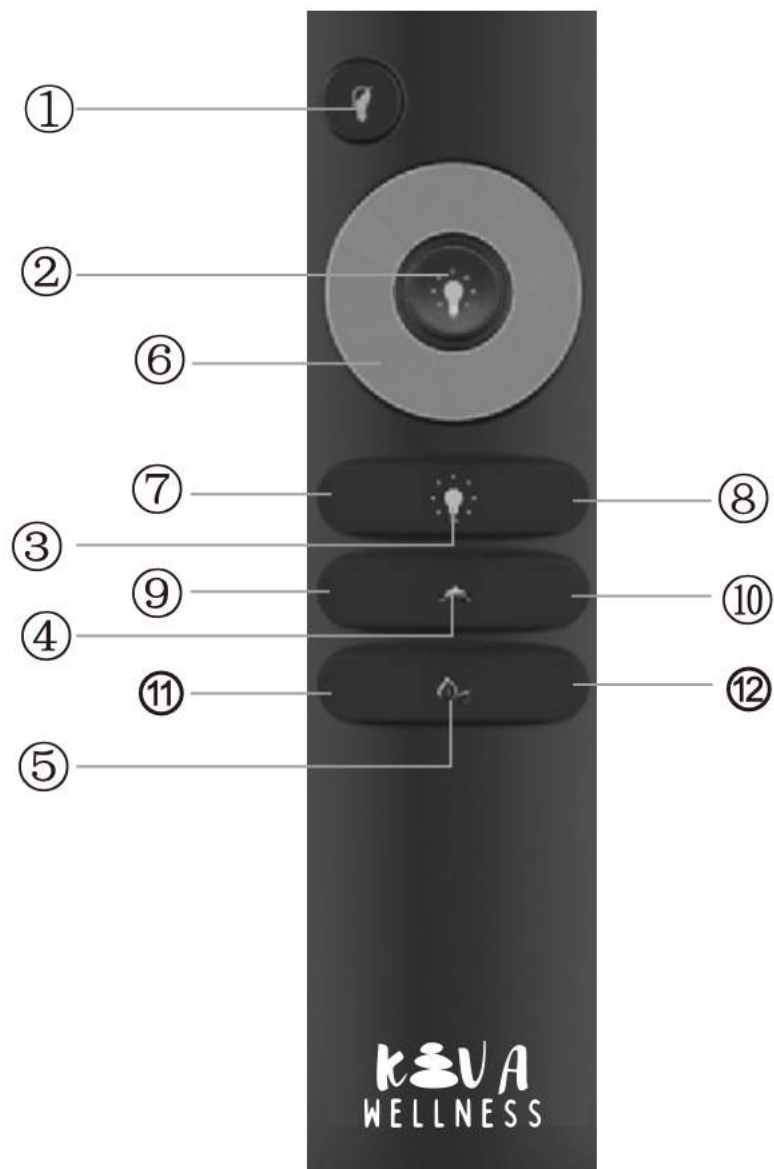
**5 - Play/Pause Button:** Touch this key to stop or play music. In FM mode, press and hold this button for 5 seconds for an automatic station search.

**6 - Temperature Control Button:** Press the '+' and '-' buttons to adjust the temperature up or down, respectively. When the 'heat' light is illuminated, pressing the '+' button once raises the temperature by one degree. Holding the '+' or '-' button for three seconds allows for rapid temperature increase or decrease. Once the sauna attains the set temperature, the 'heat' light will extinguish. To toggle between Fahrenheit and Celsius displays, simultaneously press both the '+' and '-' temperature buttons.

**7 - Timer Button:** Touch the '+' or '-' buttons to adjust the timer between 5 and 90 minutes. Press and hold the button down for 3 seconds for rapid timer increase.

**8 - Track Selection Button:** Touch these buttons to play the previous song, and use the key for the next song to advance to the following track.

**9 - Volume Control:** Touch the '+' or '-' to increase or decrease the volume.



- 
- 1 - Switch LED and RGB
  - 2 - Adjust RGB color
  - 3 - Adjust the brightness of the light
  - 4 - Control the vent fan
  - 5 - Function control
  - 6 - Touched color circle

- 7 - Dim light
- 8 - Bright light
- 9 - Vent fan open
- 10 - Vent fan off
- 11 - Relax mode
- 12 - Strong mode



1. Plug the power cord.
2. Short press the power button on control panel to start up. Now it'll show information of temperature, time etc. Short press again to get into stand by mode.
3. Short press temp + or temp - button, to set up required temperature. Long press can adjust quickly.
4. Pressing temp + and temp - at the same time for 3s, it can switch the display between degree centigrade and fahrenheit. Temperature adjustment range: 25°C - 66°C or 77°F - 151°F.
5. Short press time + or temp - button, to set up required time. Long press can adjust quickly. Time adjustment range: 5-90min. The default time is 15 60min.
6. Short press light mode button, to switch light states.
7. Short press multimedia button, to switch Bluetooth, FM or MP3. Corresponding indicator icon will light up under different mode. Every mode can only be used independently. Bluetooth can connect phone, play music, answer/reject (or hang up) the phone, call back Bluetooth phone; FM can play radio show; MP3 require TF card inserted, to play the music in memory card.
8. Short press Pause/Recovery button to pause or recovery the current multimedia music.
9. Under FM mode, FM indicator icon light up green. Pressing last track (or last show) and next track (or next show) button at the same time for 3s, can search FM show. Every time when searching a show successfully, it will pause for a moment. It will play first show after searching finished. Displayer will show the frequency.
10. Short press last track (or last show) button, to switch to last music or show.
11. Short press next track (or next show) button, to switch to next music or show.
12. Short press volume + button, to set up required volume. Long press can adjust quickly.
13. Short press volume - button, to set up required volume. Long press can adjust quickly.
14. Under Bluetooth mode, Bluetooth indicator icon light up blue.  
Open equipment with Bluetooth function, search the equipment, and LEKING in list of available equipment then click to match. After matching successfully, open music player in the equipment, the standard control panel can play music which is sent from Bluetooth equipment. When no call in, indicator light of Bluetooth phone is off. If long press this button at this moment, the latest phone call will be called back; When there's call in, Bluetooth indicator icon light up green, and switch to Bluetooth mode automatically. At this moment, short press for 1s can answer Bluetooth phone; long press for 3s can reject or hang up the Bluetooth phone.

# Troubleshooting

PROBLEM	POTENTIAL REASON	NEXT STEPS
No display on the control panel	The connectors are not connected properly No power supply input The control panel circuit board is broken	Check the cable interface or replace it Check the circuit (focus on whether the power switch is turned on) Replace the corresponding circuit board
Heater can't be heated	The heater is broken The power connector of the heater is loose Temperature sensor is broken The fuse on the control box is damaged The circuit board of the relay does not run	Replace the same type of a new heater Check and keep them tight Check if the sensor interface is loose or replace it Replace the fuse Replace the circuit board
Sauna smell	There's a foreign matter near the heating element The temperature of some heater is too high There's a device on the circuit board burned	Remove foreign matter Disconnect the power supply and replace the heater Replace the circuit board
Light is not working	The line is not connected The light is broken The electronic transformer is broken	Reconnect it Replace a new light Replace a new electronic transformer
Sauna does not work	The socket is not plugged in No power in the socket Sauna transformer or circuit board failure	Plug in the socket Check the socket or line Replace the sauna transformer or the associated circuit board
Control panel display "E1", the buzzer alarm	Temperature sensor open circuit failure (no detection of NTC)	Shut down the system, restart to do the test again
Control panel display "E2", the buzzer alarm	Temperature sensor short circuit	Shut down the system, restart to do the test again
Control panel display "E3", the buzzer alarm	The temperature sensor monitors the temperature below -15 ° C	Shut down the system, restart to do the test again
Audio device does not work	The power cable on the roof is not connected The signal cable is not connected or loosened Audio equipment is damaged	Connect the power connection on the roof Check and reconnect it Replace a new audio device



# Cleaning & Maintenance

- Always follow the instruction manual when using your Kiva Wellness RejuvAir sauna so that it is maintained in the best possible shape and you can enjoy longevity of your investment.
- To maintain the appearance of wood, place a towel on the sauna bench to prevent sweat from dripping onto wooden surfaces.
- After use, open the door of your sauna. This process will release moisture and help to keep the wooden surfaces dry.
- Avoid using sharp objects inside the sauna to prevent damage to internal fixtures and surfaces.
- Use soft paper or a microfibre cloth to clean the glass door.
- Do not use liquid or aerosol cleaning products inside the sauna.
- Unplug the sauna from the power outlet on the wall before cleaning. Do not use alcohol or strong cleaning chemicals to clean the sauna. NOTE: Use of chemicals will damage the wood and any natural protection layer inherent in the wood.
- Do not store the sauna in damp environments as this can cause the wood to stain and rot.



# Warranty

**Warranty Period:** lifetime warranty on carbon heaters and 5 year general.

Kiva Wellness are the warranty providers for Kiva Wellness products. Kiva Wellness warranty this product to be free from defects in materials and workmanship while in normal domestic use for a period of one year on parts and labour (with the exception of a life warranty on the carbon heaters) from the original date of purchase.

Do not return your sauna to the store you purchased from before contacting Kiva Wellness directly.

## **LOGGING A WARRANTY CLAIM**

Should you experience any issues with your product, please follow the below steps to lodge a warranty claim:

1. Contact Kiva Wellness and let them know the following details:
  - Your warranty details including name, email and phone number
  - Product name and model number
  - Product serial number, found on the rating label of the product
  - Explanation of how the damage occurred
  - Photos of the damage or issue is highly beneficial to expediting your claim
2. Kiva Wellness will assess your claim and respond within 24-48 hours. If the product exhibits a defect while in normal domestic use and within the warranty period; Kiva Wellness will either repair or replace the product or defective part free of charge.
3. In the event that the product is required to be sent to the service centre, the customer is required to pay for all packing, freight and insurance costs for transit of the product to Kiva Wellness. This is subject to the applicable consumer laws in your jurisdiction.
4. If the product, or one of its parts, qualifies for replacement or service within the 30-day period after the date of purchase, Kiva Wellness will arrange the shipping at no cost to you.
5. Any product sent to Kiva Wellness must include a return authorisation form that will be provided to you after your warranty claim is accepted. Failure to include this form may result in the product being rejected from the warehouse or a delayed service time.
6. In the event that the warranty period for a product has expired, or if a product does not qualify for warranty service, repair or replacement, customers can still buy replacement parts or have products repaired by one of the Kiva Wellness service centres. Please contact Kiva Wellness for further information. Kiva Wellness will contact you with a quote prior to undertaking any service work outside of the warranty coverage.
7. Typical turn-around times to address warranty claims can be between 10-14 business days, plus shipping, depending on location and type of damage or warranty claim.
8. In no event will the liability exceed the retail value of the product. We make no warranty with respect to parts, from a source other than Kiva Wellness.

9. In the event that warranty parts or products are provided, the customer must cover the related shipping costs to receive goods.

10. All exchanged or substitute parts and products replaced under warranty service will become the property of Kiva Wellness. Repaired or replaced products or parts thereof will be warranted by Kiva Wellness for the balance of the original warranty period.

11. (Australia only) Kiva Wellness goods come with guarantees that cannot be excluded under the Australian Consumer Law. You are entitled to a replacement or refund for a major failure and compensation for any other reasonably foreseeable loss or damage. You are also entitled to have the goods repaired or replaced if the goods fail to be of acceptable quality and the failure does not amount to a major failure.

## **WARRANTY DOES NOT COVER**

1. Damage, accidental or otherwise, to the product, not caused by a direct defect in factory workmanship or materials.

2. Damage due to abuse, mishandling, alteration, misuse, commercial service, tampering, accident, failure to follow the care, operating and handling provisions indicated in the instructions.

3. Damage caused by parts or services not authorised or performed by Kiva Wellness.

4. 'Normal' wear and tear that naturally and inevitably occurs as a result of normal use or ageing.

5. Some states do not allow the exclusion or limitation of incidental or consequential damages. Therefore, the above limitations may not apply to you in the case of damage in shipment. If your product was damaged in shipment: Immediately report this type of damage to the parcel carrier and have them file an inspection report to contact the distributor from whom you purchased the product for further instructions.

6. You have rights and benefits under the consumer laws in your jurisdiction. Without detracting from these rights or benefits, Kiva Wellness excludes all liability in respect of this product for any other loss which is not reasonably foreseeable from a failure of this product, which may include liability for negligence, loss of expenditure associated with the product and loss of enjoyment.

---






# KIVA WELLNESS

ELEVATE YOUR WELLNESS & RECOVERY

[KIVAWELLNESS.COM.AU](http://KIVAWELLNESS.COM.AU)

07 4270 8000

@kivawellness   

Kiva Wellness products should not be considered medical devices, and should be treated as general wellness products only. Our product range has not been designed to prevent or treat medical conditions, and we recommend you consult a health practitioner if you are unsure about whether a Kiva Wellness product is suitable for you.