

WOODRIGHTS



PRODUCT SHEET

Ascent Shelving

Ascent Shelving

WW

A modular shelving system, Ascent offers an understated form through negative detailing and angled square legs. Customise Ascent to suit your space with a range of configurations and timber finishes.



DIMENSIONS

Low Single Bay
Depth 350mm x Width 1057mm
x Height 800mm

Medium Single Bay
Depth 350mm x Width 1057mm
x Height 1390mm

High Single Bay
Depth 350mm x Width 1057mm
x Height 1820mm

Low Double Bay
Depth 350mm x Width 2057mm
x Height 800mm

MATERIAL

Available in a range of Ash and Oak finishes.

SPECIFICATIONS

- 20mm solid timber shelves handcrafted from American Ash or Oak
- Polished in a durable 2 pack lacquer, or Osmo oil
- Negative detailing along shelf edge
- 90° angled legs
- Fully assembled

CATEGORY

Shelving

ENVIRONMENT

Indoor

COUNTRY OF PRODUCTION

New Zealand

PREASSEMBLED

Yes

CLEANING CARE

Please refer to our website for care & cleaning instructions.

MADE TO ORDER

Ascent is handcrafted to order in New Zealand by Woodwrights.

Ascent Shelving

WW

VARIANTS



ASCENT SHELVING HIGH BAY
Product Code - #7735



ASCENT SHELVING LOW BAY
Product Code - #7169

Ascent Shelving

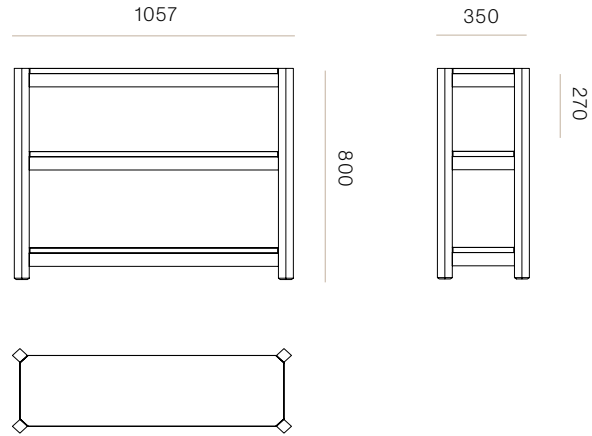
WW

SHELVING CONFIGURATIONS

LOW SINGLE BAY

CODE

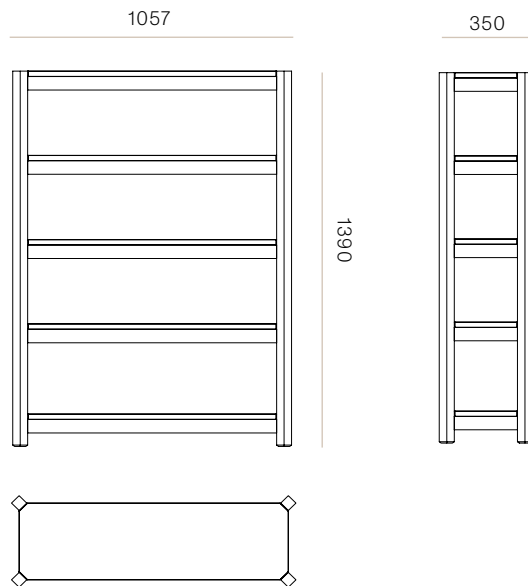
#7169



MEDIUM SINGLE BAY

CODE

#7734



Ascent Shelving

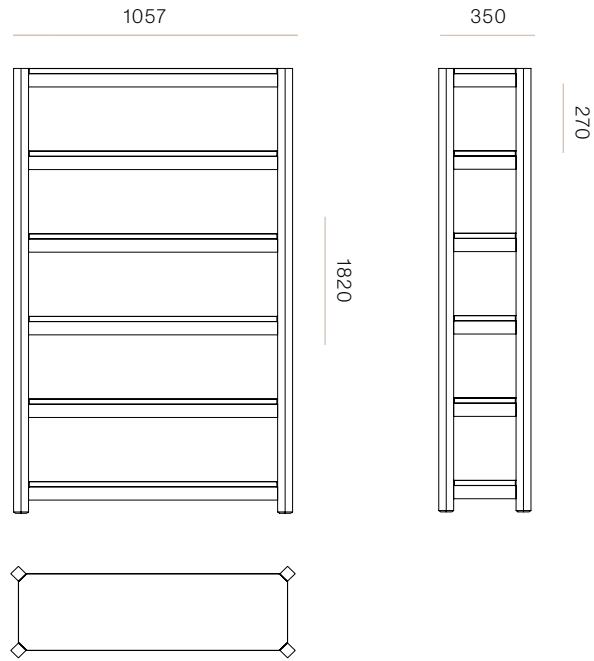
WW

SHELVING CONFIGURATIONS

HIGH SINGLE BAY

CODE

#7735



LOW DOUBLE BAY

CODE

#7736

