



KING GUBBY DESIGNS

ORTUR LASER MASTER 2 PRO STACKABLE BRICK FEET



Bricks not included

INSTALLATION MANUAL

Included Parts



K G D

**3 x Stackable Brick
Tops**



**3 x Stackable Brick
Bottoms**



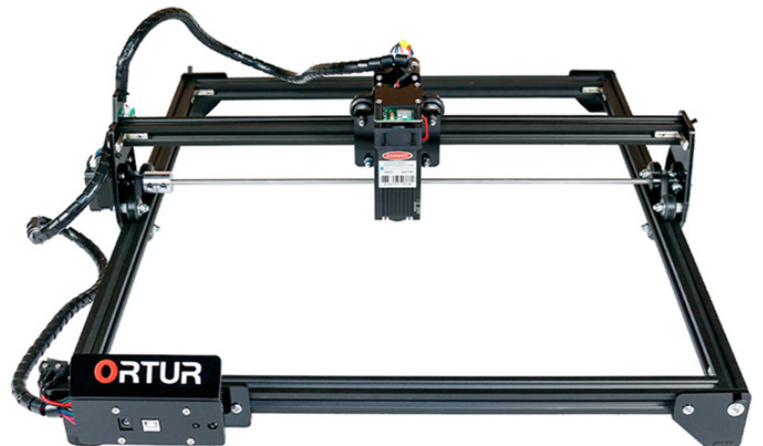
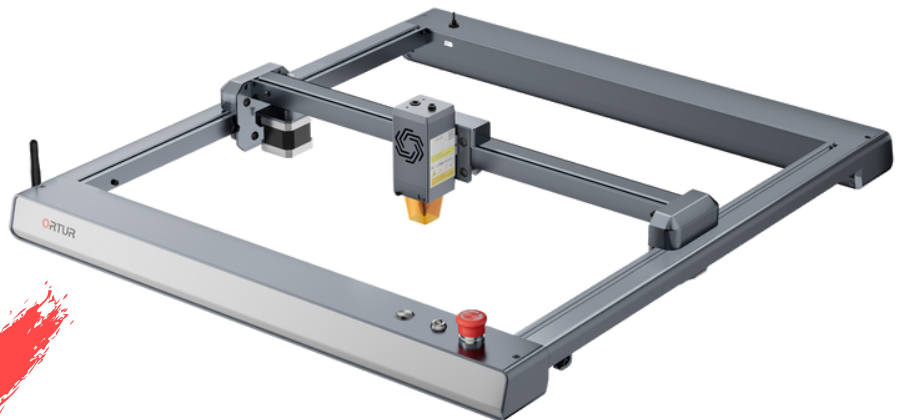
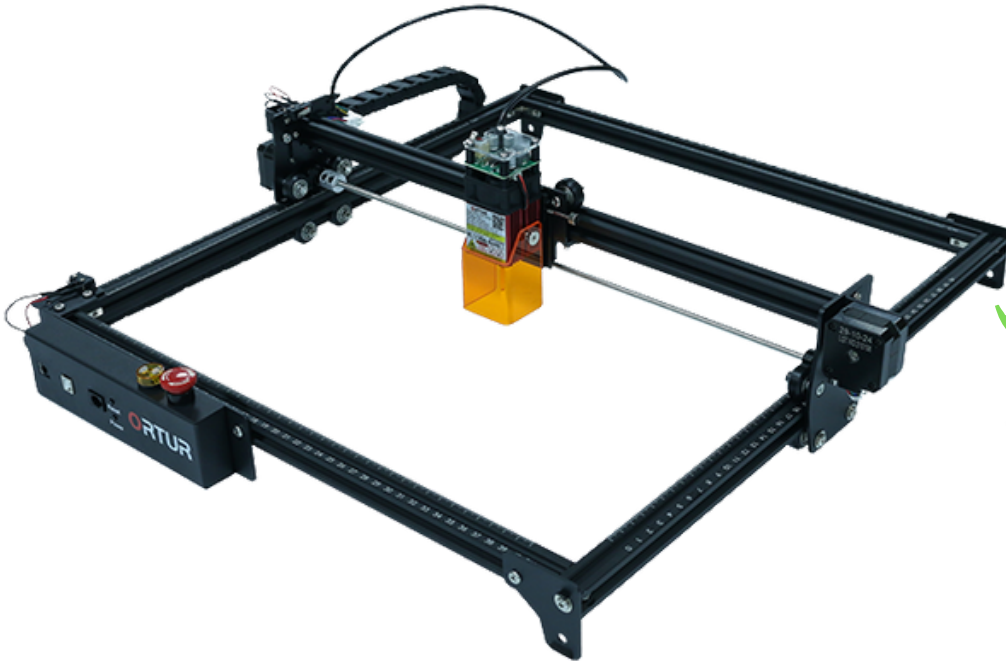
**Stackable Brick Bottom
(Power Supply Foot)**



**Stackable Brick Top
(Power Supply Foot)**



This product is for the Laser Master 2 Pro



Notes:

1) Before Installing the Stackable Brick Feet:

Remove any gripping material (rubber/felt) from the bottom of the feet.

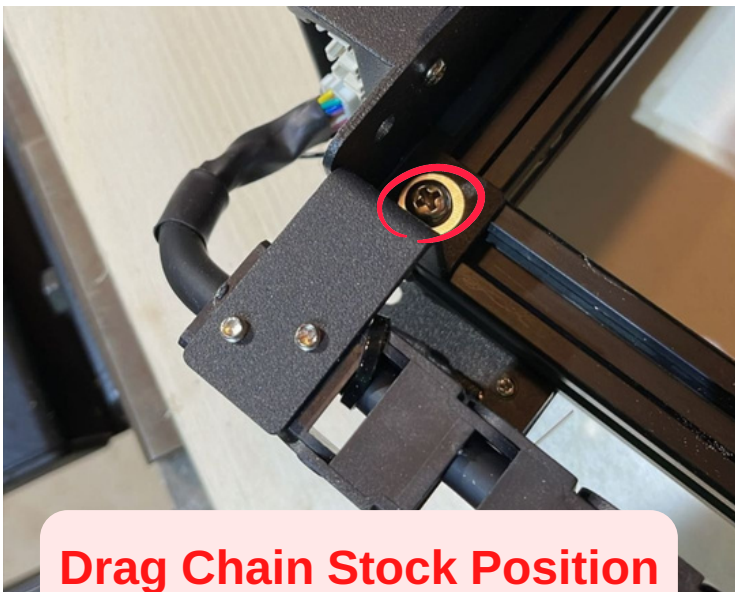
2) For the LM2 Pro Model, the foot by the power supply is different than the other three (Power Supply Foot). In order for the foot to fit, you need to move your drag chain back, just far enough to accommodate the foot. To do this, loosen the screw circled below, move the drag chain the amount needed to fit the foot, and retighten the drag chain screw.



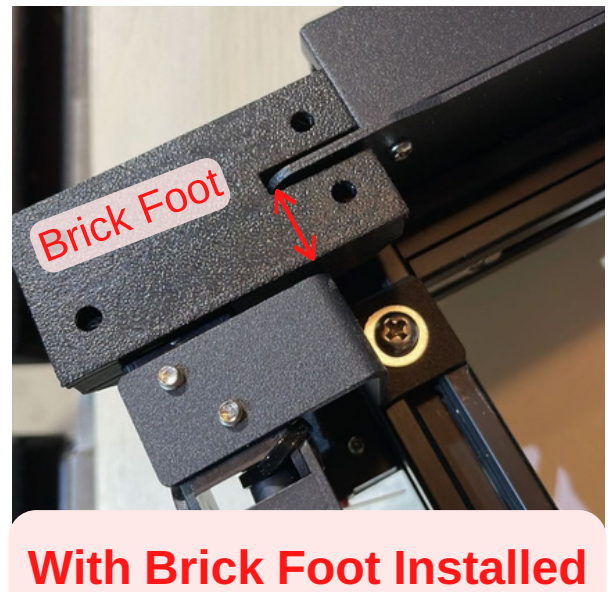
Drag Chain Stock Position



Drag Chain New Position



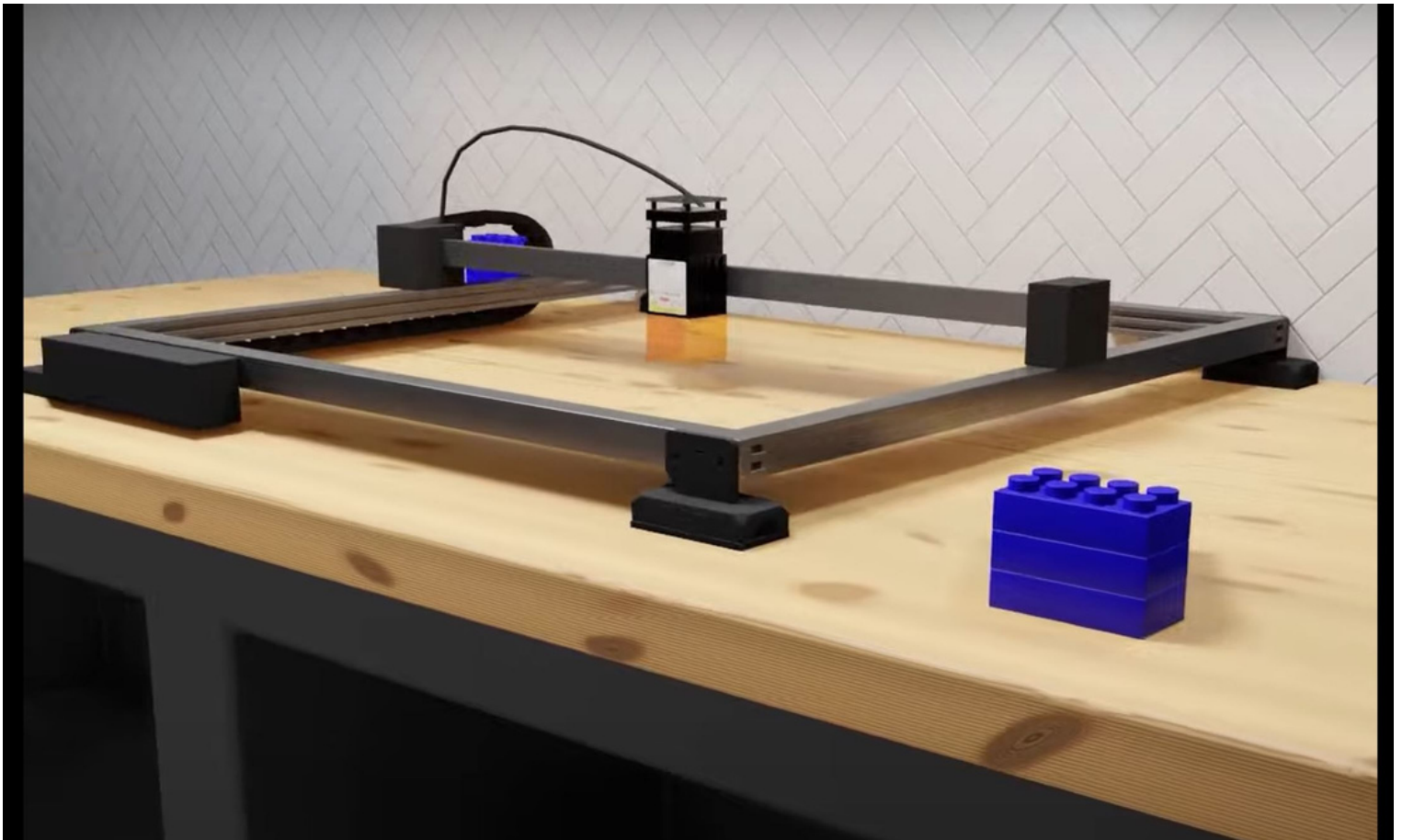
Drag Chain Stock Position



With Brick Foot Installed

Now:

Keep your brick feet together (tops "clicked" into the bottoms). Place a brick foot under each one of the feet of your laser, in place. Meaning, slide the laser's foot into the slot on the brick foot top. Then, align your laser to desired position on your wasteboard.



Where you should be at should look something like this (the feet are not screwed down yet though).

Next:

Take a pencil and outline your brick feet on your wasteboard. After all feet are accurately marked, remove everything off of your wasteboard. Now take a brick bottom and align it within the outline on your wasteboard. Drill pilot holes and screw it down to the board with anchor screws.

If you want a video breakdown of this step click the link below:

[https://youtu.be/vsGSfHnirts?](https://youtu.be/vsGSfHnirts?list=PLdqWPTDh2a_u1b2PjSNn3-tbks1XiX3oh)

[list=PLdqWPTDh2a_u1b2PjSNn3-tbks1XiX3oh](https://youtu.be/vsGSfHnirts?list=PLdqWPTDh2a_u1b2PjSNn3-tbks1XiX3oh)



Lastly:

Once the brick bottoms are fastened to the wasteboard, you just apply as many bricks as needed (evenly to each foot), put the "tops" on top of the bricks and then place your laser on top of everything.



We are always looking to connect, help, design, improve... If you need more help feel free to email us with questions. If you have an idea for a product, we will give it to you for free, if you help us design it. If you want to show us your projects, we love to share with our community, tag us in your social media and we will share it with everyone else.

Click any of the images below to start followign us on Social Media.

Tag us in your projects



**Contact Us:
KingGubbyDesigns@gmail.com**