



# KING GUBBY DESIGNS

## ORTUR LASER MASTER 2 (STANDARD) STACKABLE BRICK FEET



Bricks not included

### INSTALLATION MANUAL

# Included Parts



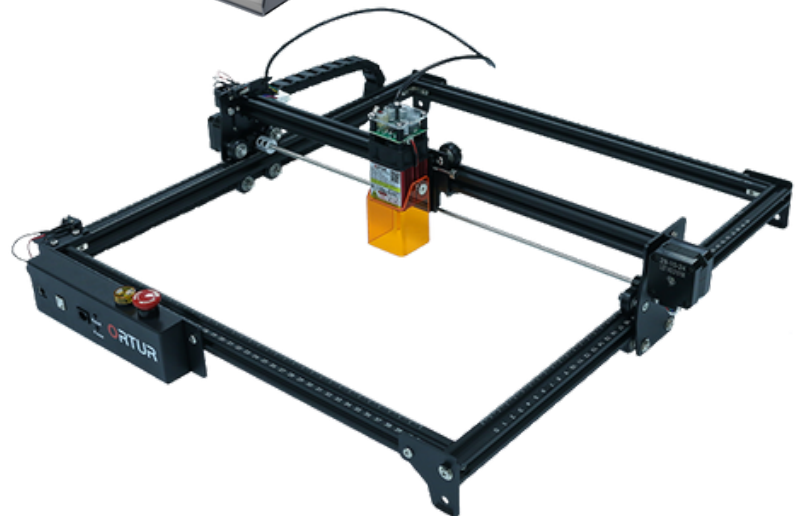
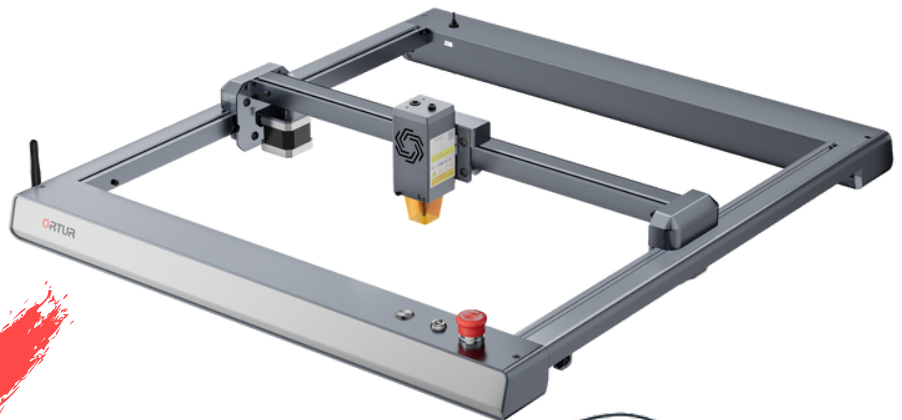
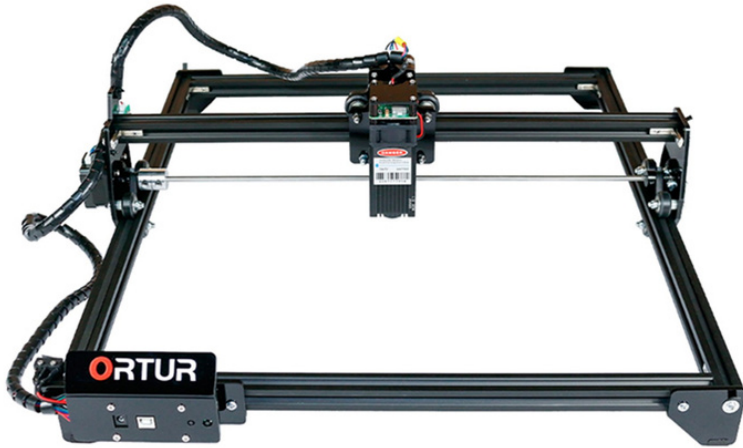
**4 x Stackable Brick  
Tops**



**4 x Stackable Brick  
Bottoms**



# This product is for the Laser Master 2 (Standard)



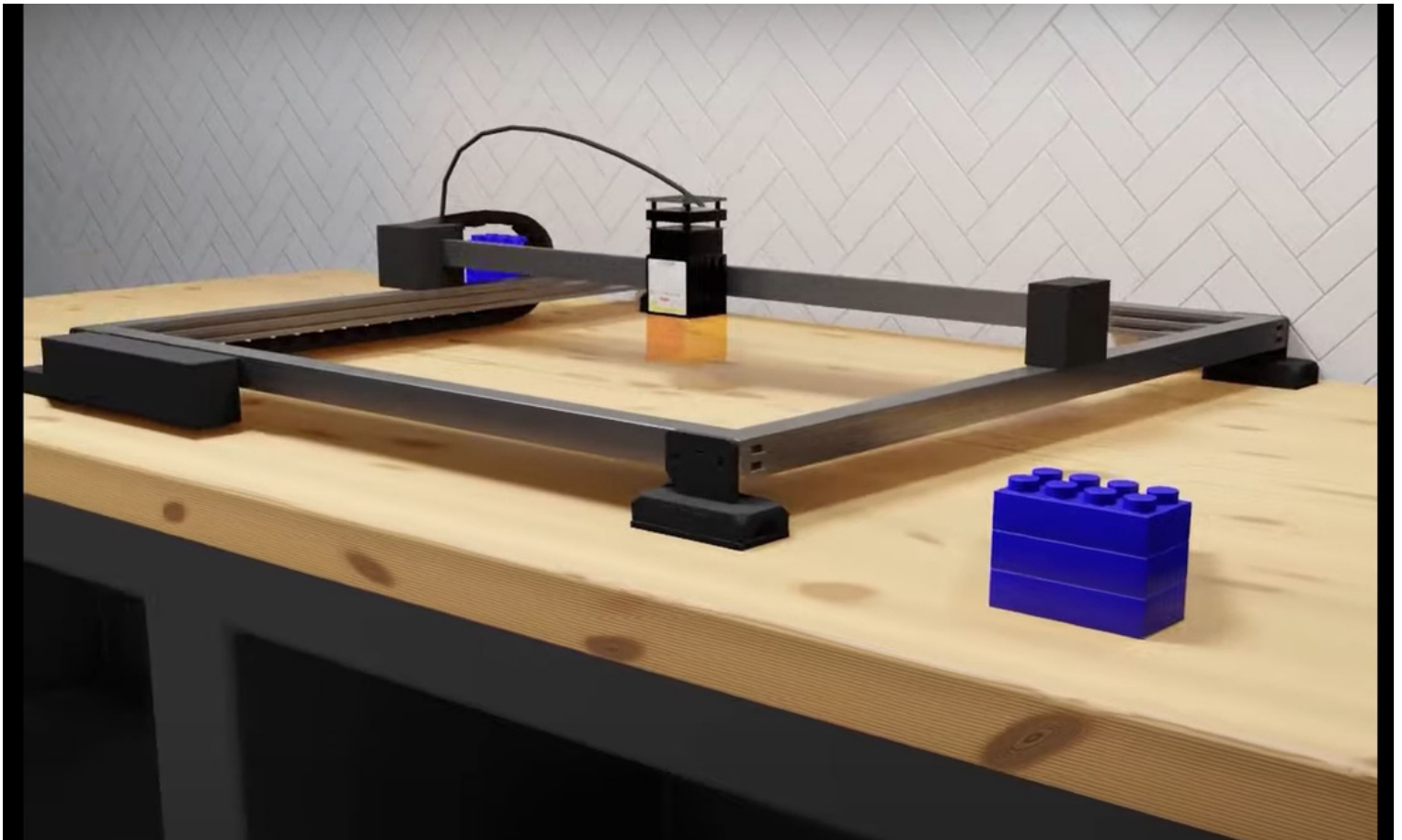
## **Notes:**

**Before Installing the Stackable Brick Feet:**

**Remove any gripping material (rubber/felt) from the bottom of the feet.**

**Now:**

**Keep your brick feet together (tops "clicked" into the bottoms). Place a brick foot under each one of the feet of your laser, in place. Meaning, slide the laser's foot into the slot on the brick foot top. Then, align your laser to desired position on your wasteboard.**



**Your setup should look like this so far and the feet are not screwed down yet.**



## **Next:**

**Take a pencil and outline your brick feet on your wasteboard. After all feet are accurately marked, remove everything off of your wasteboard. Now take a brick bottom and align it within the outline on your wasteboard. Drill pilot holes and screw it down to the board with anchor screws.**

**If you want a video breakdown of this step click the link below:**

**[https://youtu.be/vsGSfHnirts?](https://youtu.be/vsGSfHnirts?list=PLdqWPTDh2a_u1b2PjSNn3-tbks1XiX3oh)**

**[list=PLdqWPTDh2a\\_u1b2PjSNn3-tbks1XiX3oh](https://youtu.be/vsGSfHnirts?list=PLdqWPTDh2a_u1b2PjSNn3-tbks1XiX3oh)**



## Lastly:

Once the brick bottoms are fastened to the wasteboard, you just apply as many bricks as needed (evenly to each foot), put the "tops" on top of the bricks and then place your laser on top of everything.



**We are always looking to connect, help, design, improve... If you need more help feel free to email us with questions. If you have an idea for a product, we will give it to you for free, if you help us design it. If you want to show us your projects, we love to share with our community, tag us in your social media and we will share it with everyone else.**

**Click any of the images below to start followign us on Social Media.**

**Tag us in your projects**



**Contact Us:  
KingGubbyDesigns@gmail.com**