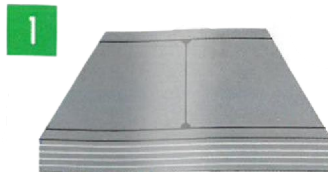


MEGA LASER ENCLOSURE TENT

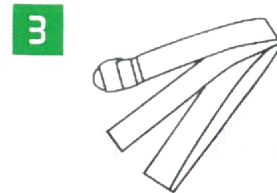
Tent Size: 650mm x 650mm x 1400mm

COMPONENTS

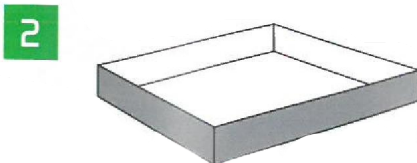
C		4 pcs
B		4 pcs
A		8 pcs
A		1 pc
A		1 pc



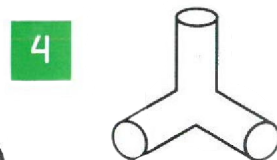
Tent



LED Light Strip or Filter Straps

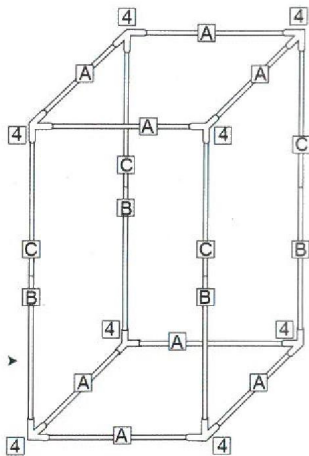


Floor Tray

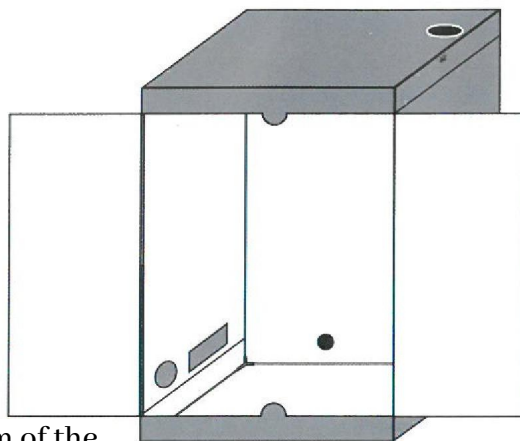


Corner Adapters

STEP 1

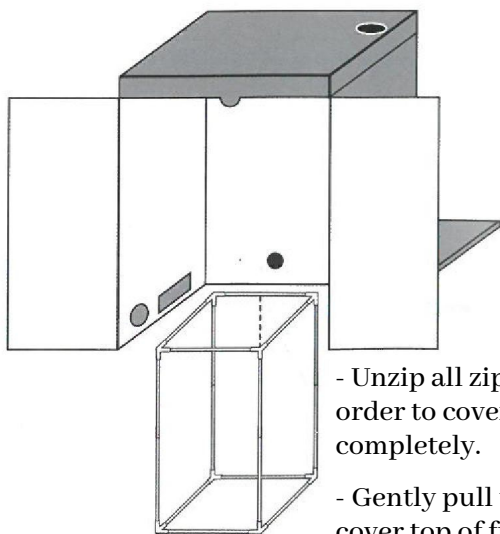


STEP 3



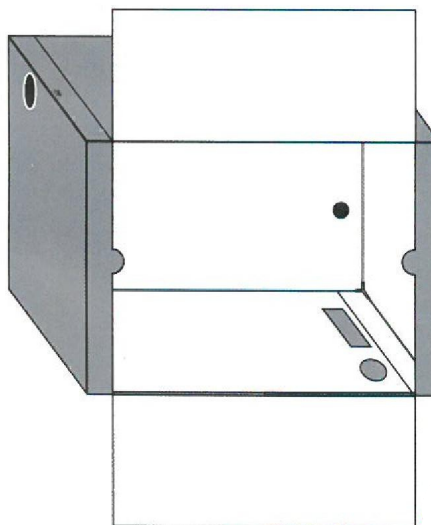
- Pull the bottom of the tent shell until it covers the base of tent frame around all 4 corners.
- Put all hanging bars on top of frame.

STEP 2



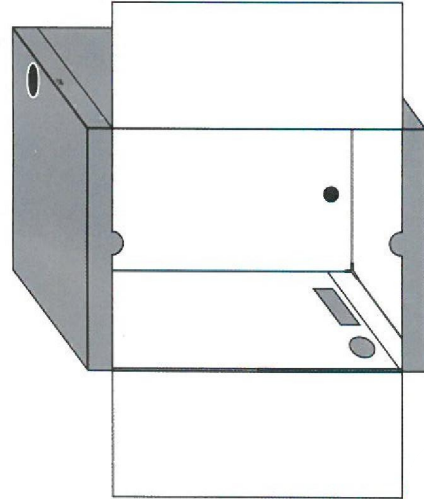
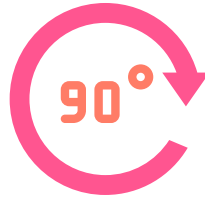
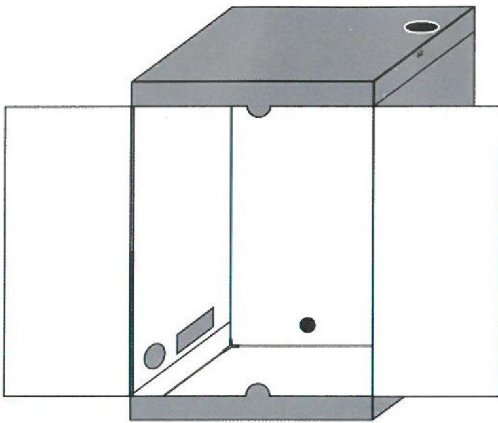
- Unzip all zippers of tent in order to cover frame completely.
- Gently pull top of tent to cover top of frame & make sure all corners are squarely placed.

STEP 4



- Rotate the tent to accommodate your laser

Once you finish assembly of the tent. Rotate it 90°



You can orient your access point through the side zipper

Or use the end zippers to get access from the ends

