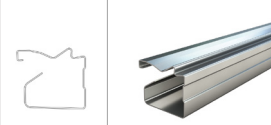



HANGERS

Origin Signature Sliding Door Specification

Steel framed full panel bottom rolling door available with glass or MFC panel insert with optional soft close





Identification	Item name	Material	Image	Description
1	Top Track	Steel		Single piece steel running guide
2	Top Rail	Steel		Steel door frame
3	Top Wheel	Steel/Plastic		Rubber free spinning wheel with steel back plate
4	Vertical Stile	Steel		Steel door frame
5	Door panel insert	Glass or MFC		4mm safety backed EN12600 mirror on lacquered glass or 8mm MFC PEFC certified panel
6	Bottom Rail	Steel		Steel door frame
7	Bottom Wheel	Steel/Plastic		Plastic ball bearing wheel with steel back plate and vertical adjustment
8	Bottom Track	Steel		Single piece steel running guide

HANGERS

Soft Close Specification



Identification	Item name	Material	Image	Description
1	Soft Close Activator	Steel		Soft close activator located in the top track
2	Soft Close Damper	Steel		Soft close main damper located on the door

HANGERS

Hangars@ Origin Signature Specification and Maintenance

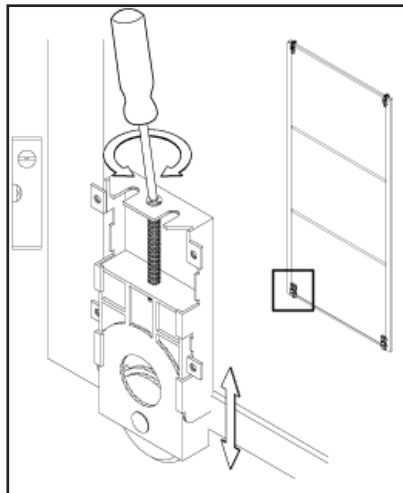
General Description

Portico's Origin Signature wardrobe steel door system consists of a top and bottom track, top and bottom rails and stiles (uprights). All doors are bottom rolling, and have either a top guide or top roller to steady the panel in the tracks.

All mirrored glass is safety backed in accordance with BS6206 Class B, and all wood grain panels are 8mm MFC.

Door Adjustments

Use an cross-headed screwdriver key to raise (clockwise) or lower (anti-clockwise) the roller on the rear fascia of the door panel in both bottom corners. Take load off wheels whilst adjusting doors so they are level and run clear of bottom track.



Maintenance

Glass can be cleaned with any household glass cleaner. The tracks and frames can be cleaned with any silicone-based polish. This polish can also be used to lubricate the running gear periodically. Build-up of debris must not be allowed to form in the bottom track. Care must be taken to avoid interior overload and that stored items do not snag the back of the doors or sliding gear. DO NOT use any solvents on the Aluminium wardrobe range.

Warranty

The wardrobe is covered by a 10-year warranty covering hardware and glass failure. Installation defects (this only applies to systems installed by Portico GB Limited) are covered for 2 years, with the following exclusions: Improper handling, Scratched glass, Broken glass, Any post installation panel adjustment due to settling including and soft close issues, Overloading of shelves and interiors, Impact from foreign objects, Acts of God. Any damage must be notified at time of installation in writing.

HANGERS

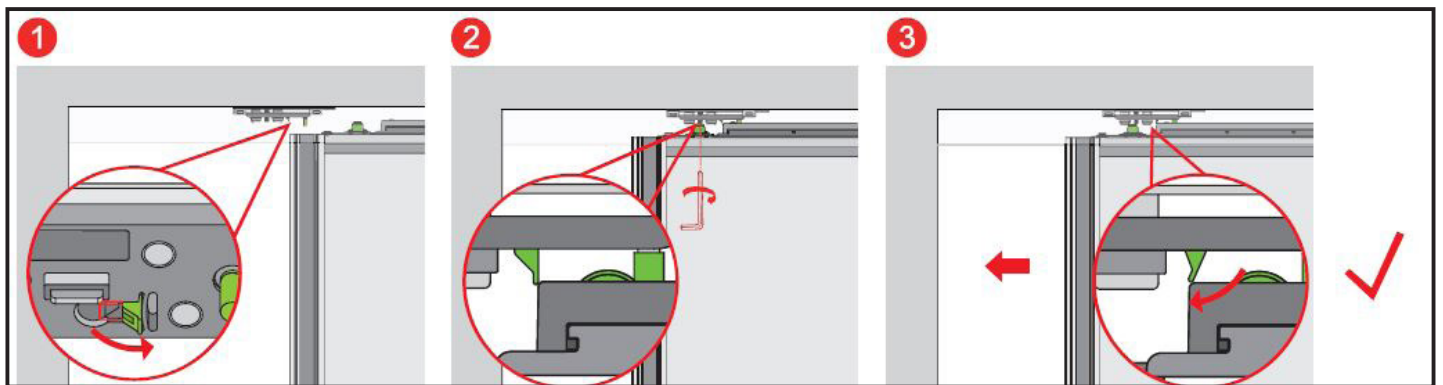
Hangers@ Aurora Specification and Maintenance

Soft Close Mechanism

Please note that adjustments to the soft close mechanism are not covered by our warranty. The soft close will require re-engaging if a) the wardrobe doors are removed, or b) settlement of the building moves the doors out of alignment.

In order to re-engage the soft close mechanism the doors and/or soft close activator will need to be adjusted.

The soft close activator is located in the top track and features a guidance clip to confirm when the soft close mechanism is in the correct position. This can be seen in the image below. When the doors are in the correct position, upon sliding closed the guidance clip will produce a click sound when correct.



To remove a door, the bottom running wheels will need to be adjusted lower and therefore will disengage the soft close mechanism. Please see the door adjustments in how to raise the door up.

The soft close activator can also be adjusted up and down. In the case that the bottom running wheels have been fully adjusted to their maximum in height then the activator will need to be lowered accordingly.

Using a 2.5mm Allen key, turn the adjustment screw clock wise to lower the locating pin and anti-clockwise to raise the locating pin. The adjustment screw is shown in the image below.

