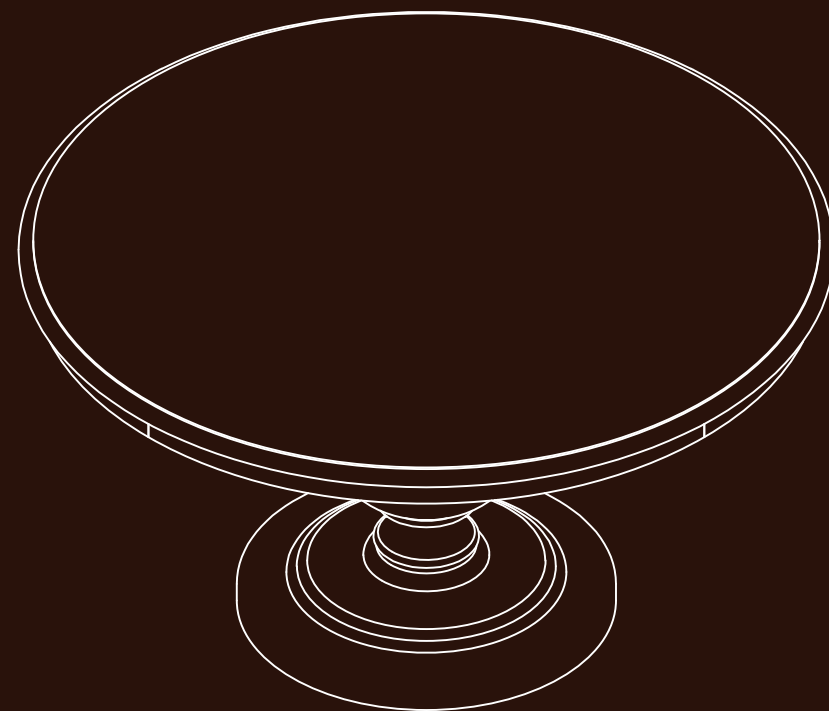


Classical
ZOLA
ROUND TABLE

MFL



ABOUT US

As unique individuals, we all have our own ways of expressing ourselves. Through expression, we open doors to new opportunities and communicate to the world.

At Maven Lane, we understand the profound impact that home design can have on personal expression. Our homes serve as our nests, reflecting our individual styles, personalities, and values. They are the spaces where we create meaningful memories and moments of comfort and peace.

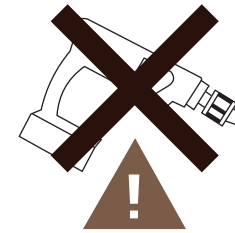
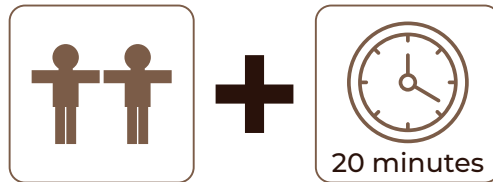
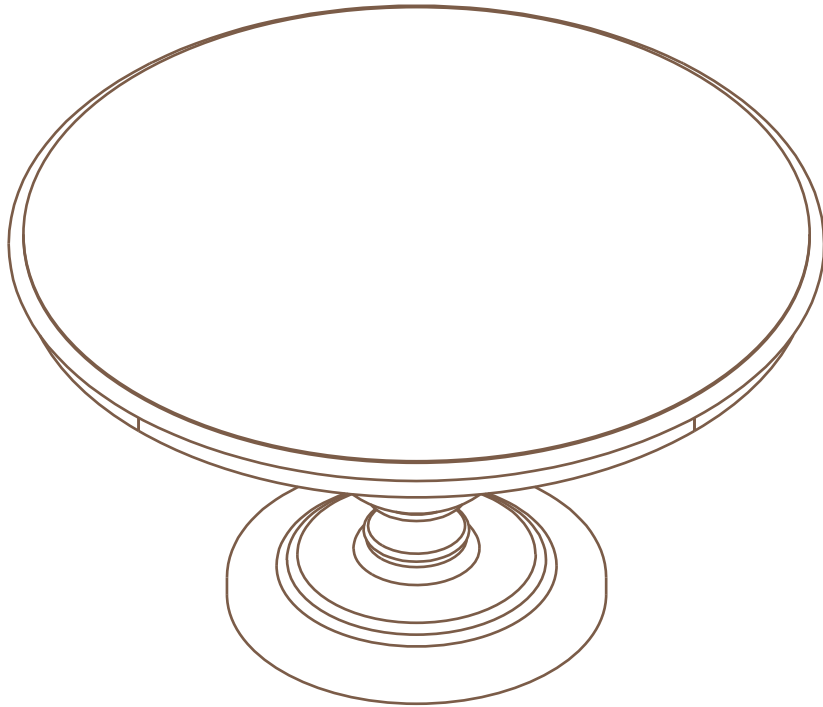
With this in mind, we set out to bring the finest in design, materials, and customer service directly to our customers, all at an attainable price point. Whether you're seeking to elevate your mornings with a cozy sanctuary or host laughter-filled dinners with loved ones, we are dedicated to helping you create a space that truly reflects who you are and what you aspire to be.

MAVENLANE.COM

 @mavenlanehome



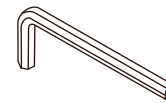
ASSEMBLY INSTRUCTIONS



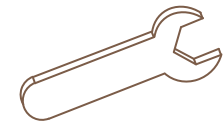
The use of power tools to assemble this product could lead to damage, making it unsafe

Please assemble on a clean, level surface to avoid damage and ensure proper assembly

Tools Required

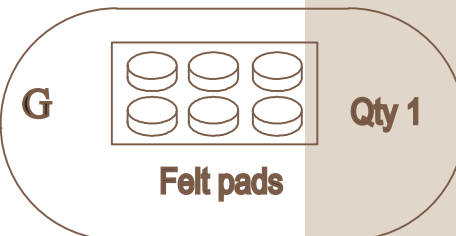
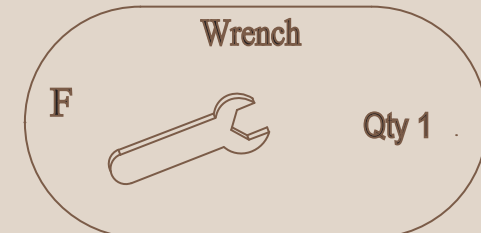
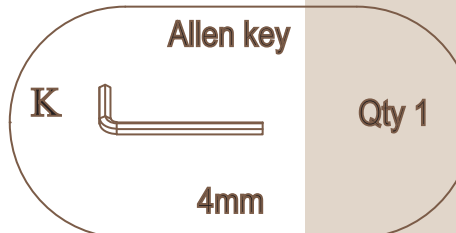
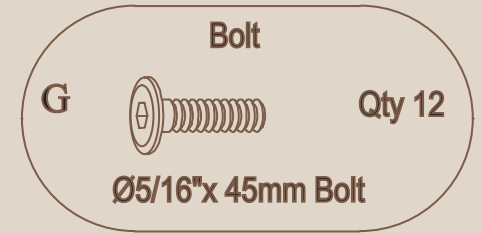
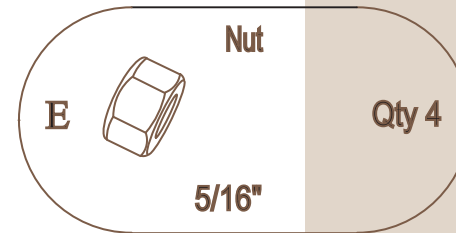
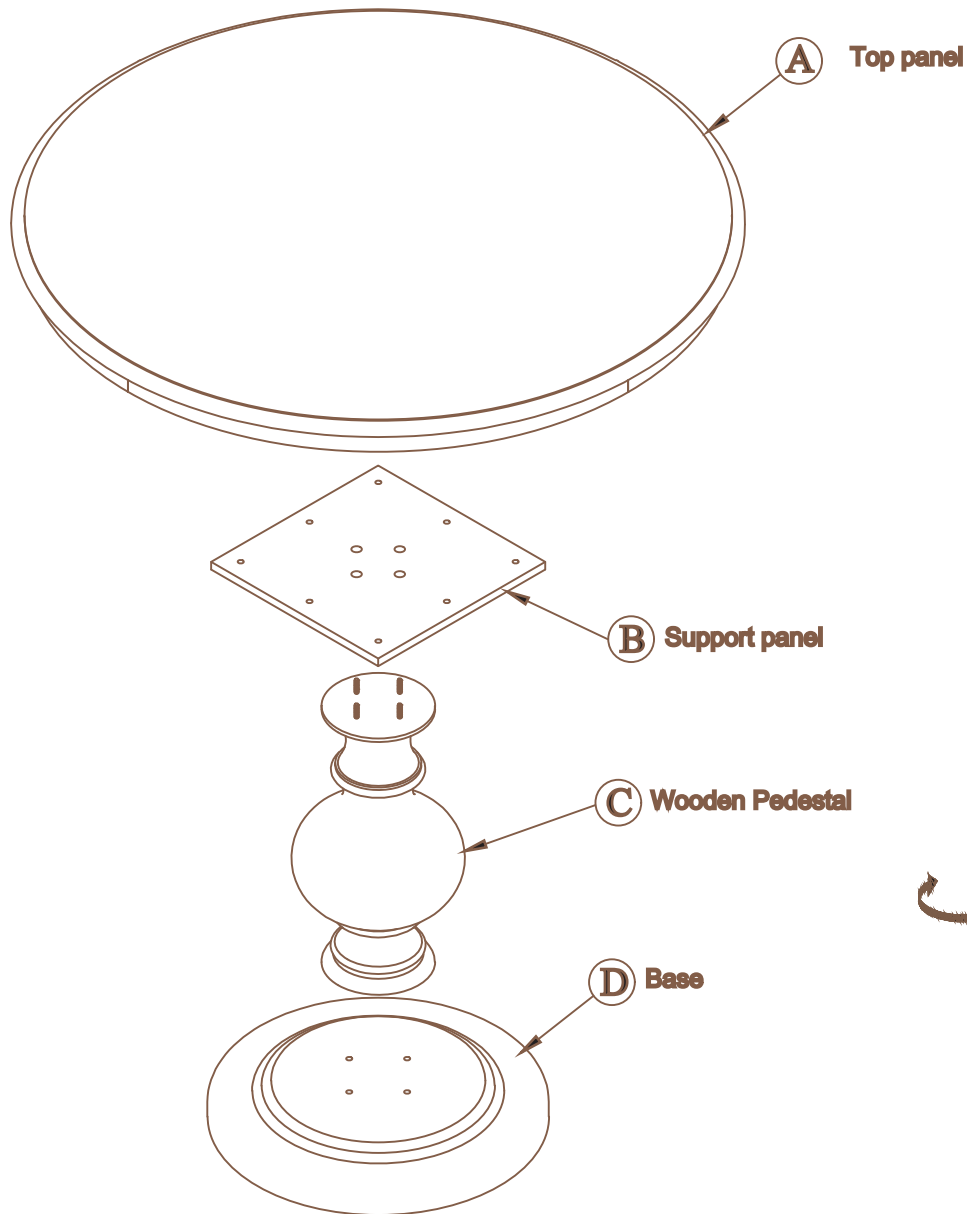


Allen Wrench
(included)



Wrench

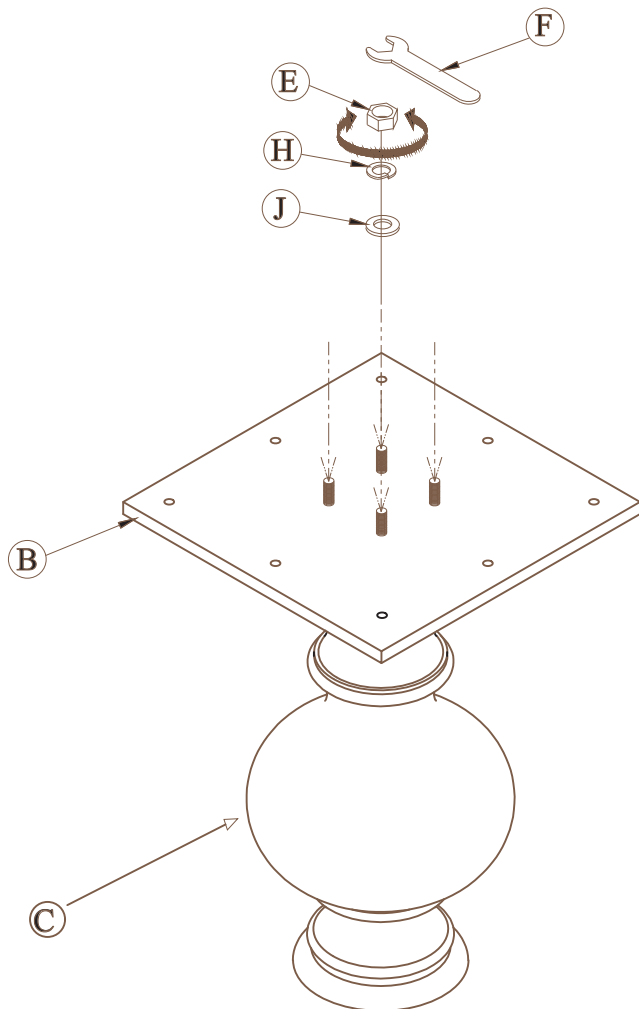
PARTS LIST



ASSEMBLY

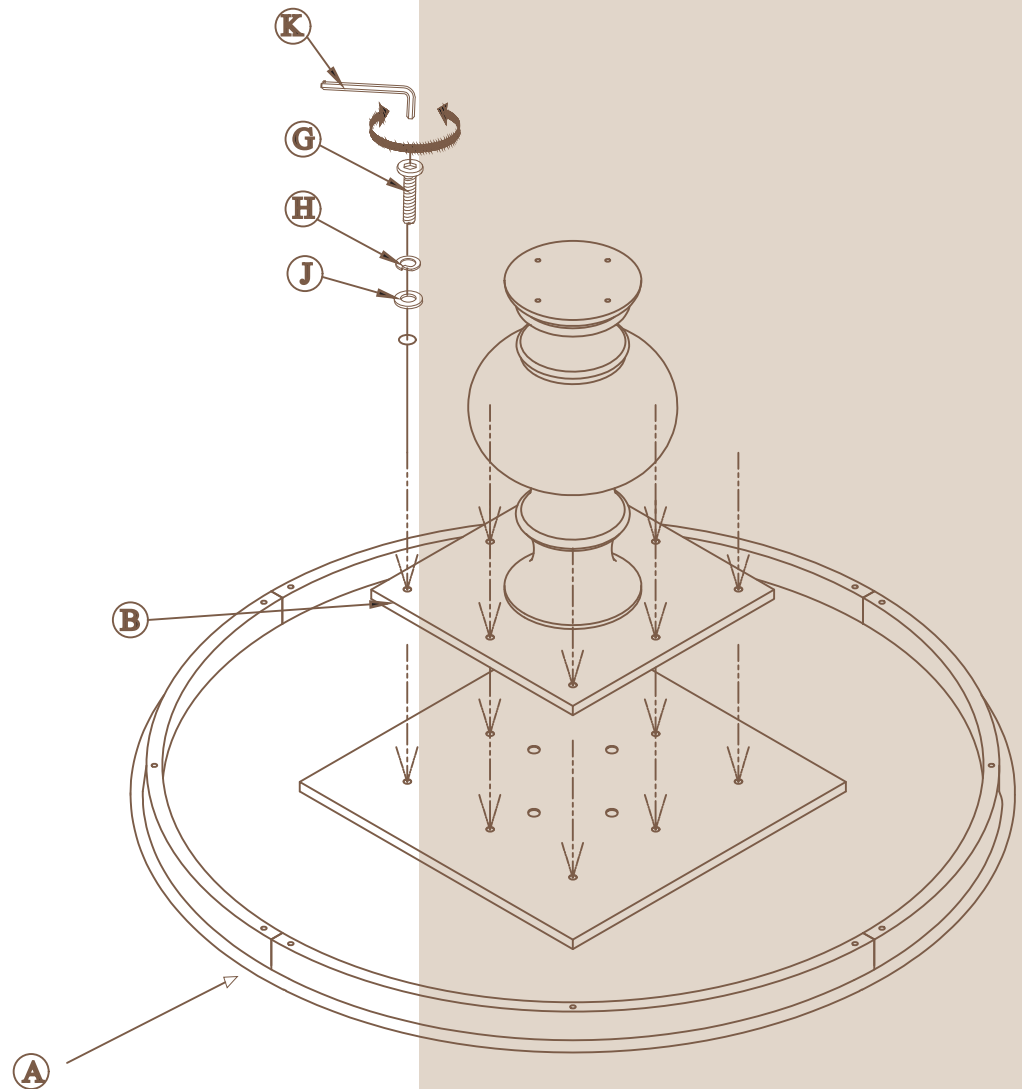
STEP 1

Insert the Support Panel B to Wooden Pedestal C with Nuts E, Lock Washers H, Flat Washers J using Wrench F, Fully tighten all Nuts E.



STEP 2

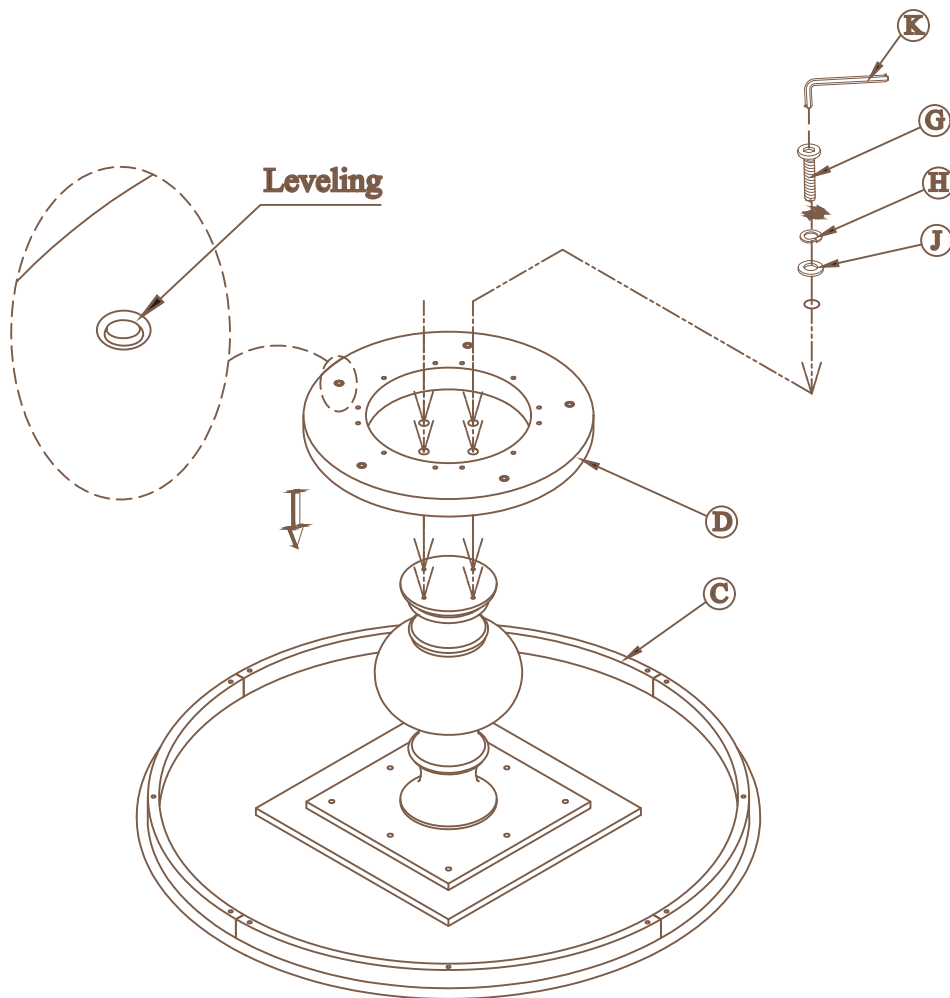
Insert the Support Panel B to Top Panel A with Bolts G, Lock Washers H, Flat Washers J using Allen Key. Fully tighten all Bolts G.



ASSEMBLY

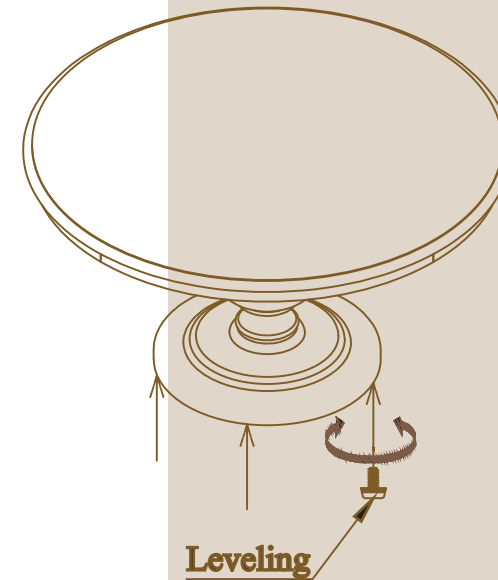
STEP 3

Insert the Base D to Wooden Pedestal C with Bolts G, Lock Washers H, Flat Washers J using Allen Key. Fully Tighten all Bolts G.



STEP 4

Turn the table over a flat, level surface
Assembly complete.



STEP 5

1. Wipe any dust from the surface for best adhesion
2. Gently peel the Felt pads G from the paper
3. Firmly apply a Felt pad G to each of the feet.

