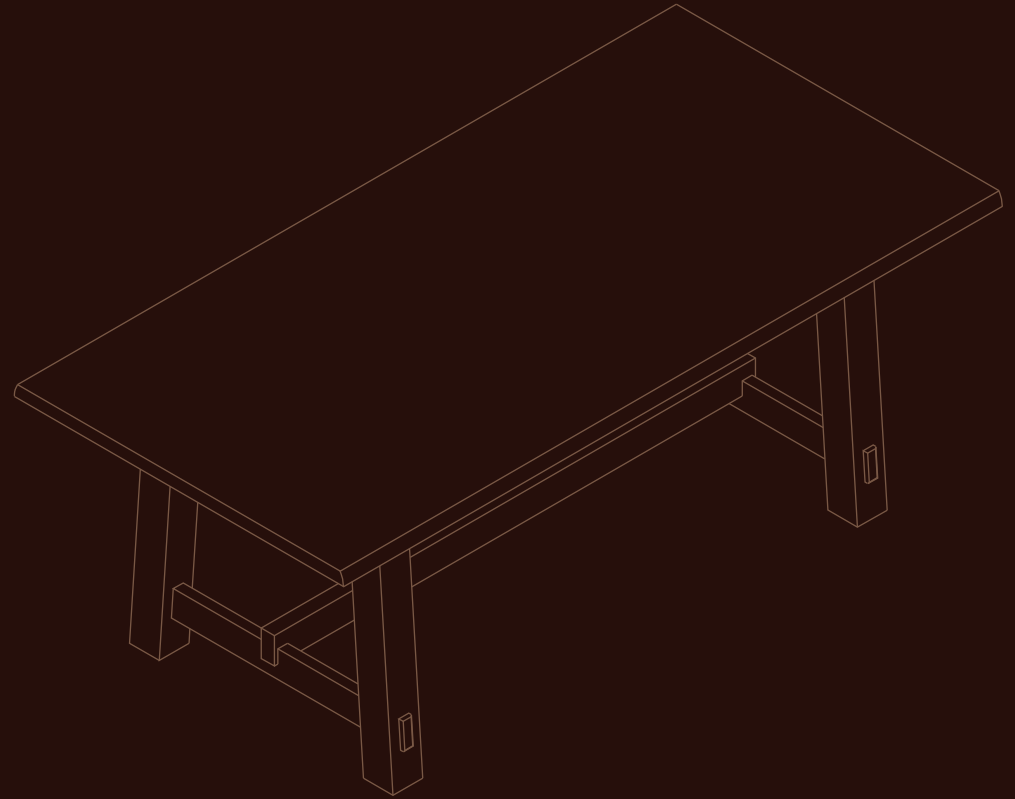


Organic

YVES

RECTANGULAR DINING TABLE



MAVENLANE.COM

 @mavenlanehome

Organic Yves Rectagular Dining Table



ABOUT US

As unique individuals, we all have our own ways of expressing ourselves. Through expression, we open doors to new opportunities and communicate to the world.

At Maven Lane, we understand the profound impact that home design can have on personal expression. Our homes serve as our nests, reflecting our individual styles, personalities, and values. They are the spaces where we create meaningful memories and moments of comfort and peace.

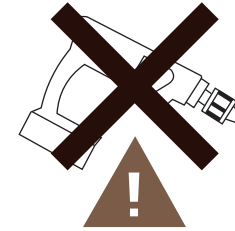
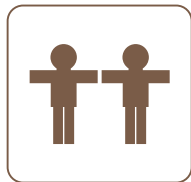
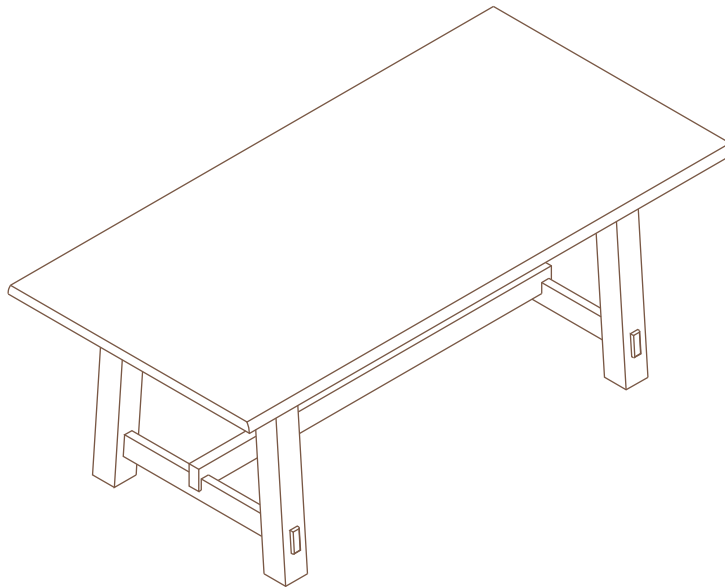
With this in mind, we set out to bring the finest in design, materials, and customer service directly to our customers, all at an attainable price point. Whether you're seeking to elevate your mornings with a cozy sanctuary or host laughter-filled dinners with loved ones, we are dedicated to helping you create a space that truly reflects who you are and what you aspire to be.

MAVENLANE.COM

 @mavenlanehome



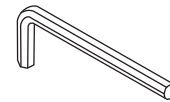
ASSEMBLY INSTRUCTIONS



The use of power tools to assemble this product could lead to damage, making it unsafe

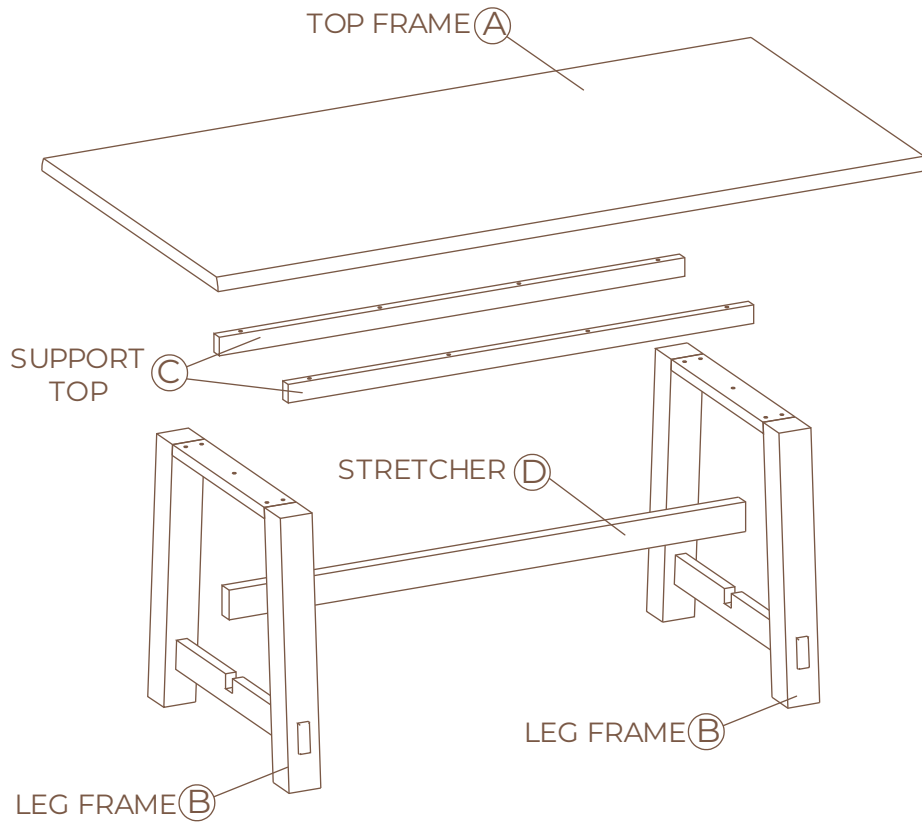
Please assemble on a clean, level surface to avoid damage and ensure proper assembly

Tools Required





Allen wrench
(included)


PARTS LIST



E  Qty 12
Ø1 /4"x35 mm Bolt

F  Qty 8
Ø1 /4"x50 mm Bolt

G  Qty 20
Lock washer
Ø1 /4"x11 mm

H  Qty 20
Flat washer
Ø1 /4"x16 mm

J  Qty 1
Felt Pads

I  Qty 1
Allen Key
4mm

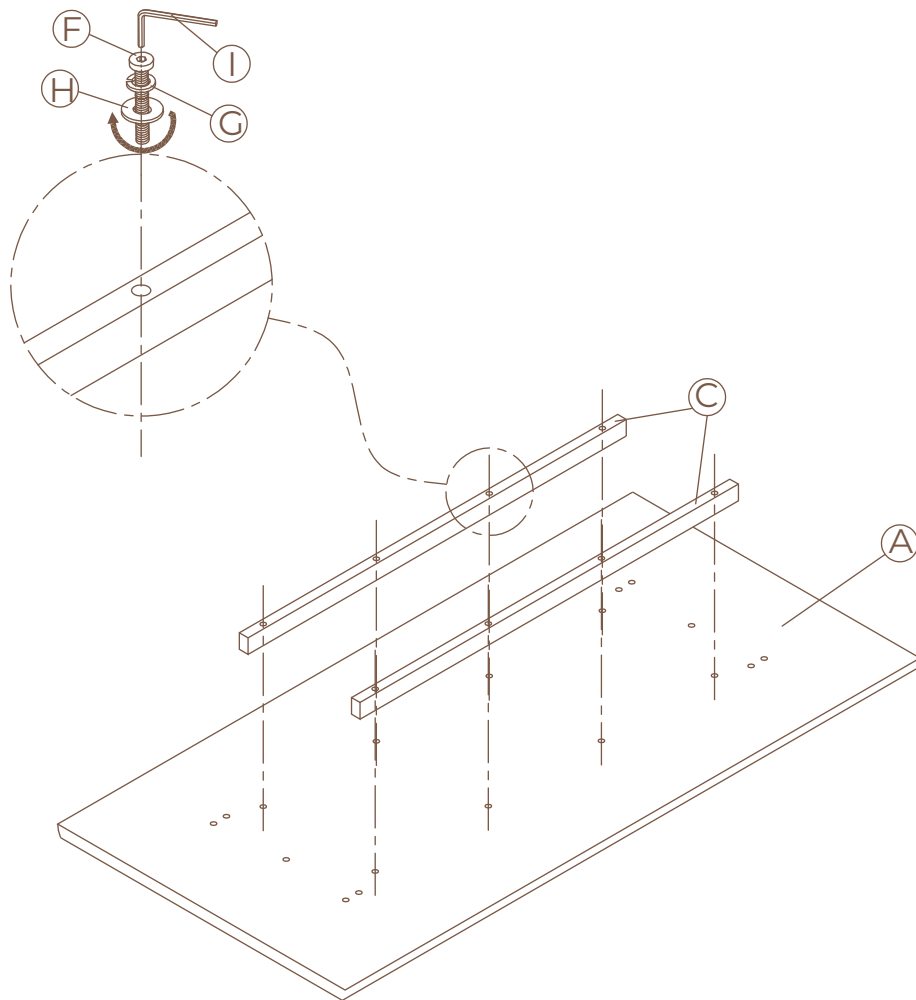
Scan for
additional
information



ASSEMBLY

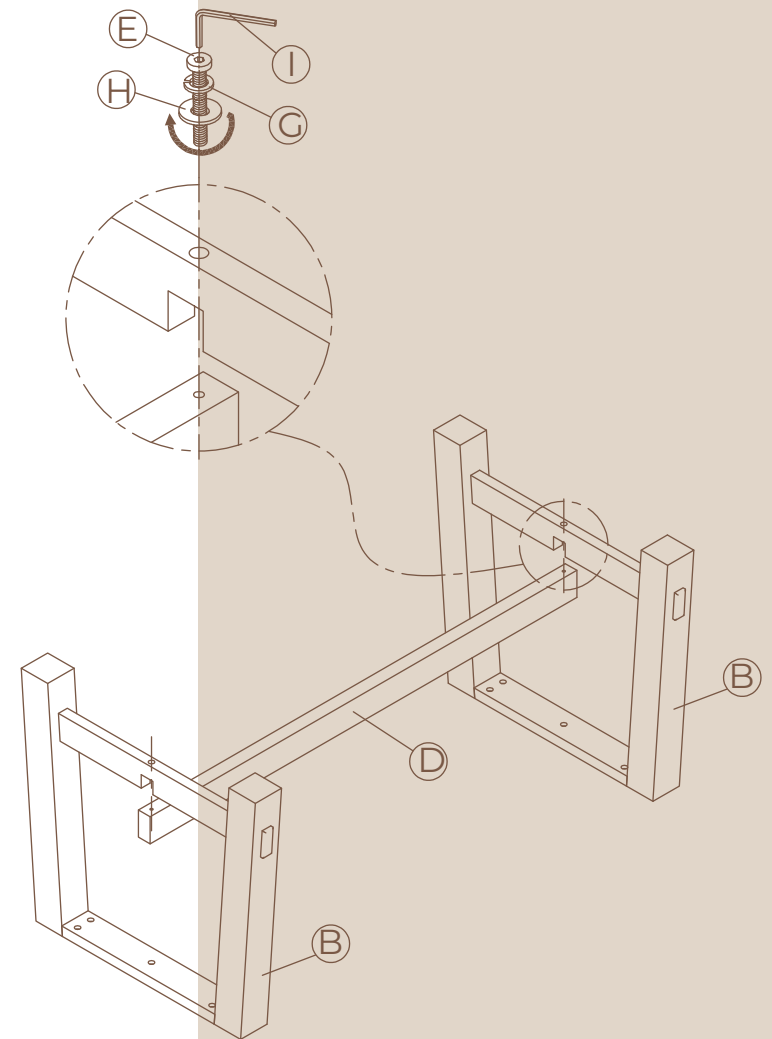
STEP 1

Insert Support top C into Top frame A with Bolts F, Lock washers G and Flat washers H using Allen wrench I. Fully tighten Bolt F.



STEP 2

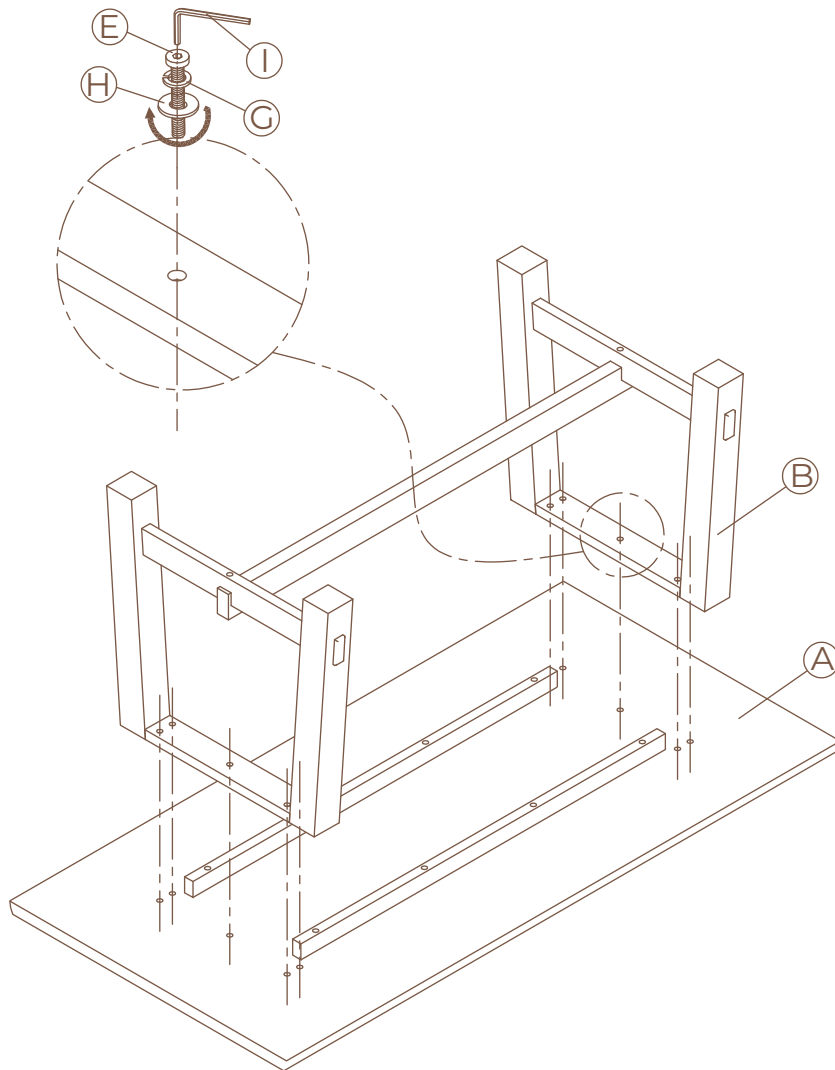
Insert Stretcher D into Leg frame B with Bolts E, Lock washers G and Flat washers H using Allen wrench I. Do not fully tighten yet.



ASSEMBLY

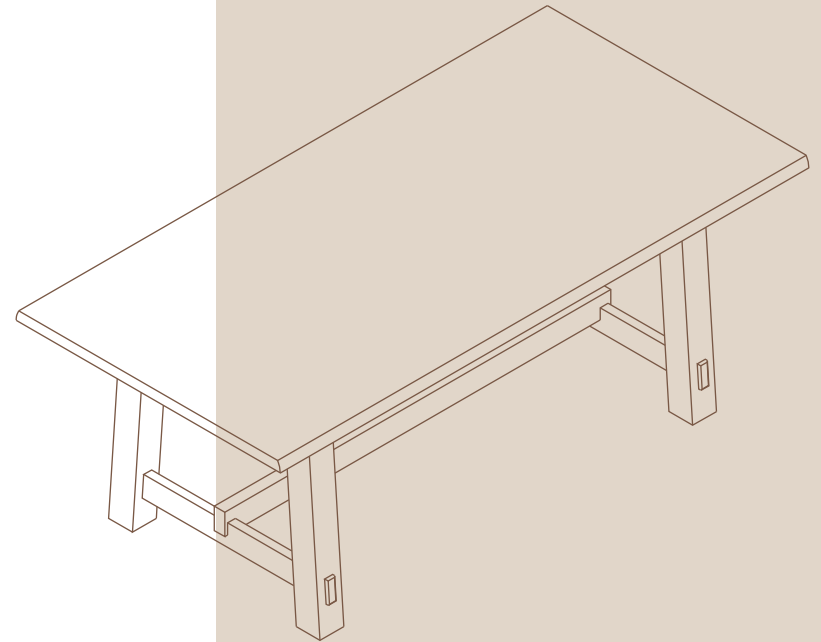
STEP 3

Insert Base frame B into Top frame A with Bolts E, Lock washers G and Flat washers H using Allen wrench I. Do not fully tighten yet.



STEP 4

Turn Table over on flat surface, align all 4 legs and tighten all bolts.



ASSEMBLY

STEP 5: Felt Pad Application (optional)

1. Wipe any dust from the surface for best adhesion
2. Gently peel the felt pad from the paper
3. Firmly apply a felt pad to each of the feet

