

Organic

Willow

DINING CHAIR



MAVENLANE.COM

 @mavenlanehome

Organic Willow Dining Chair



ABOUT US

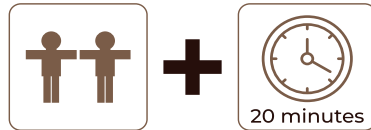
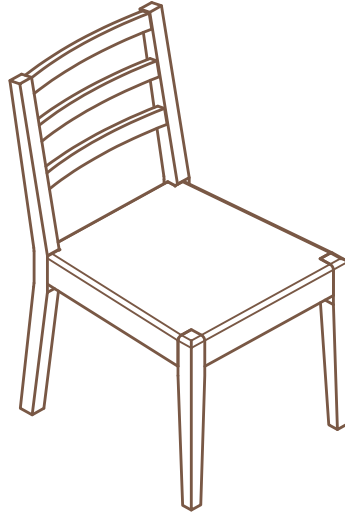
As unique individuals, we all have our own ways of expressing ourselves. Through expression, we open doors to new opportunities and communicate to the world.

At Maven Lane, we understand the profound impact that home design can have on personal expression. Our homes serve as our nests, reflecting our individual styles, personalities, and values. They are the spaces where we create meaningful memories and moments of comfort and peace.

With this in mind, we set out to bring the finest in design, materials, and customer service directly to our customers, all at an attainable price point. Whether you're seeking to elevate your mornings with a cozy sanctuary or host laughter-filled dinners with loved ones, we are dedicated to helping you create a space that truly reflects who you are and what you aspire to be.



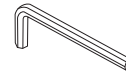
ASSEMBLY INSTRUCTIONS



The use of power tools to assemble this product could lead to damage, making it unsafe

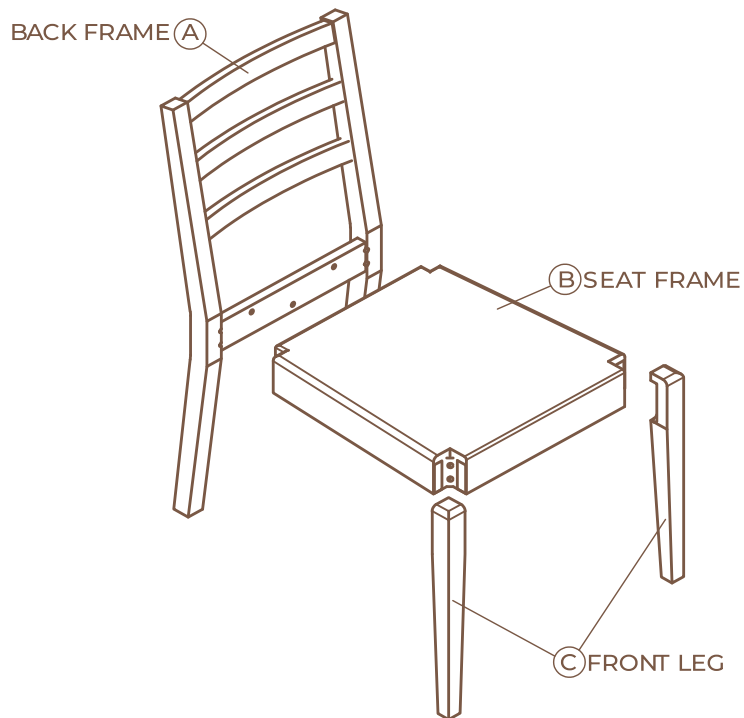
Please assemble on a clean, level surface to avoid damage and ensure proper assembly

Tools Required



Allen wrench
(included)

PARTS LIST



D



Qty 4

Ø1/4"x70mm Bolt

E



Qty 4

Ø1/4"x50mm Bolt

F



Qty 3

Ø1/4"x35mm Bolt

G



Qty 11

Lock washer

Ø1/4"x11mm

H



Qty 11

Flat washer

Ø1/4"x16mm

I

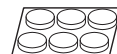


Qty 1

Allen Key

4mm

J



Qty 1

Felt Pads

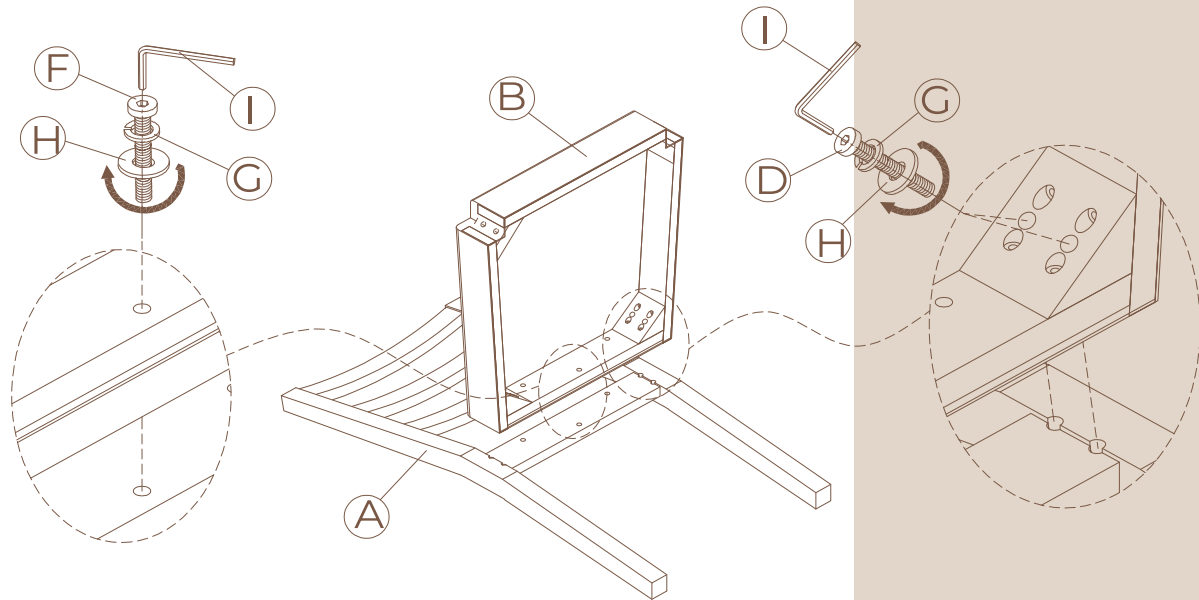
Scan for
additional
information



ASSEMBLY

STEP 1

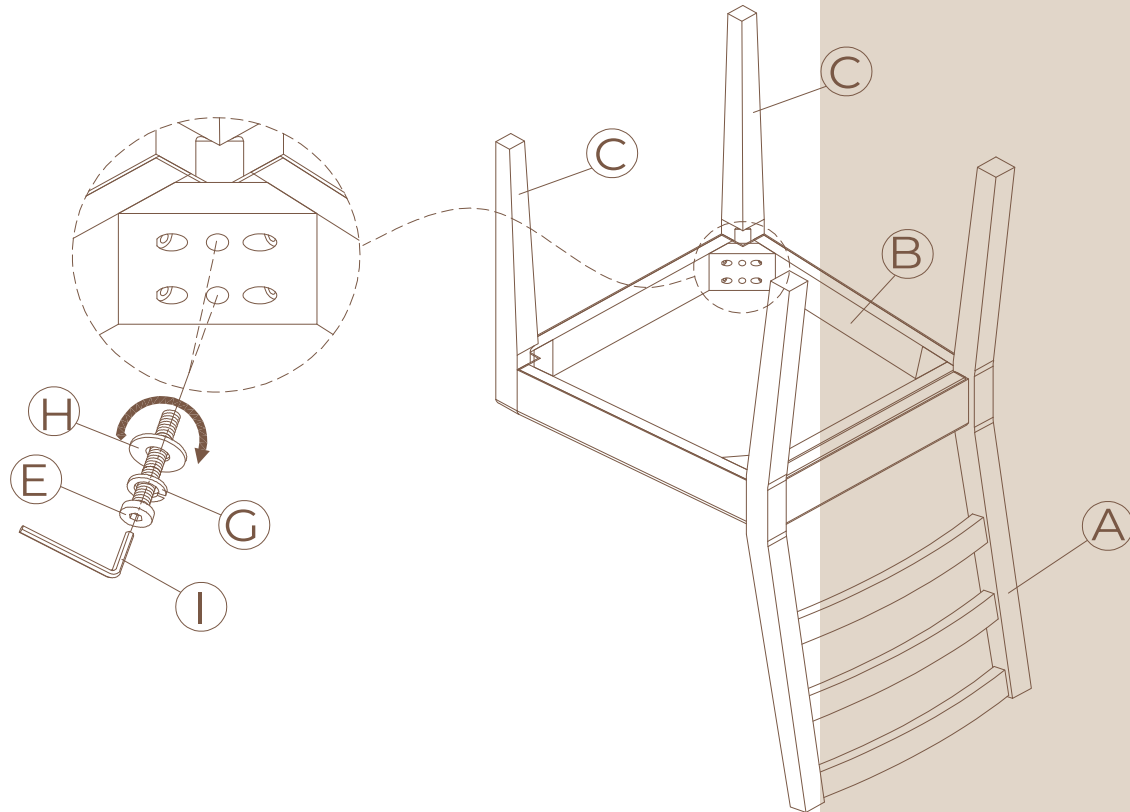
Insert Seat frame B into the Over back frame A with Bolts F, Lock washers G and Flat washers H using Allen wrench I. Then attach with Bolts D, Lock washers G and Flat washers H using Allen wrench I. Do not fully tighten yet.



ASSEMBLY

STEP 2

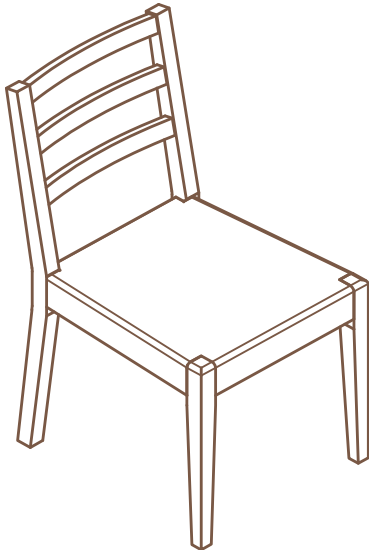
Insert Front legs C into the Seat frame B with Bolts E, lock Washers G and Flat washers H using Allen wrench I. Do not fully tighten yet.



ASSEMBLY

STEP 3

Turn Chair over on flat surface, align all 4 legs and tighten all bolts.



STEP 4: Felt Pad Application (optional)

1. Wipe any dust from the surface for best adhesion
2. Gently peel the felt pad from the paper
3. Firmly apply a felt pad to each of the feet

