

Organic

# Vaughn

STORAGE CABINET

MFL



MAVENLANE.COM

 @mavenlanehome

Organic Vaughn Storage Unit



## ABOUT US

As unique individuals, we all have our own ways of expressing ourselves. Through expression, we open doors to new opportunities and communicate to the world.

At Maven Lane, we understand the profound impact that home design can have on personal expression. Our homes serve as our nests, reflecting our individual styles, personalities, and values. They are the spaces where we create meaningful memories and moments of comfort and peace.

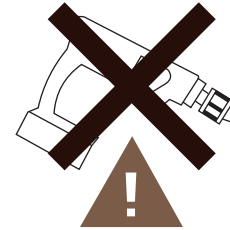
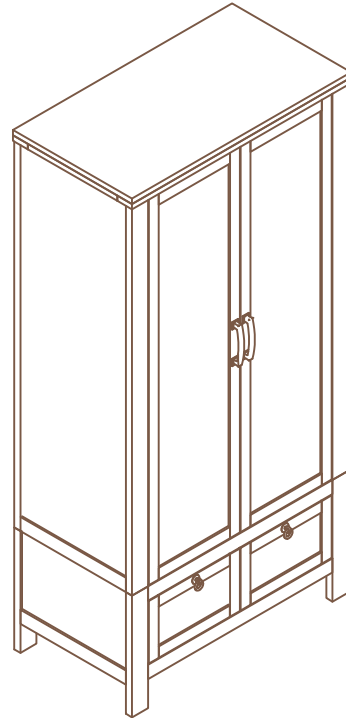
With this in mind, we set out to bring the finest in design, materials, and customer service directly to our customers, all at an attainable price point. Whether you're seeking to elevate your mornings with a cozy sanctuary or host laughter-filled dinners with loved ones, we are dedicated to helping you create a space that truly reflects who you are and what you aspire to be.

MAVENLANE.COM

 @mavenlanehome

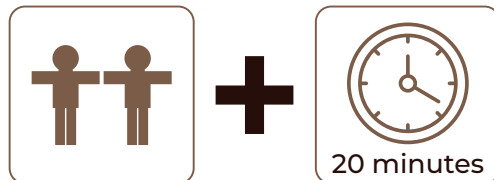


# ASSEMBLY INSTRUCTIONS



The use of power tools to assemble this product could lead to damage, making it unsafe

Please assemble on a clean, level surface to avoid damage and ensure proper assembly



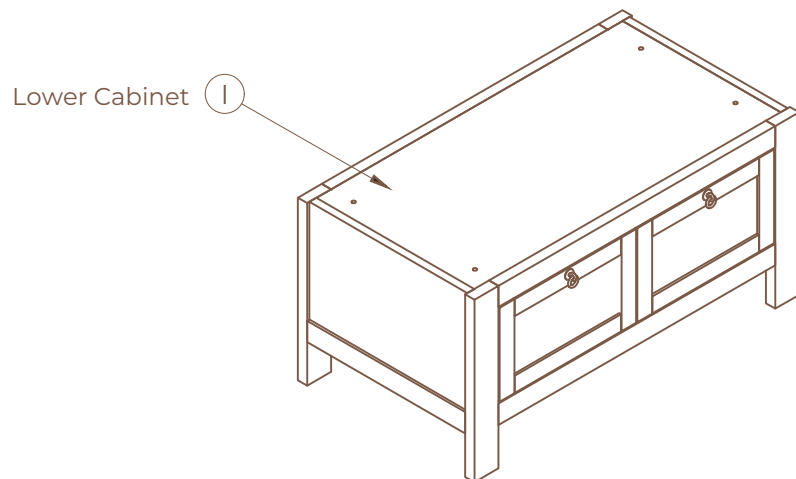
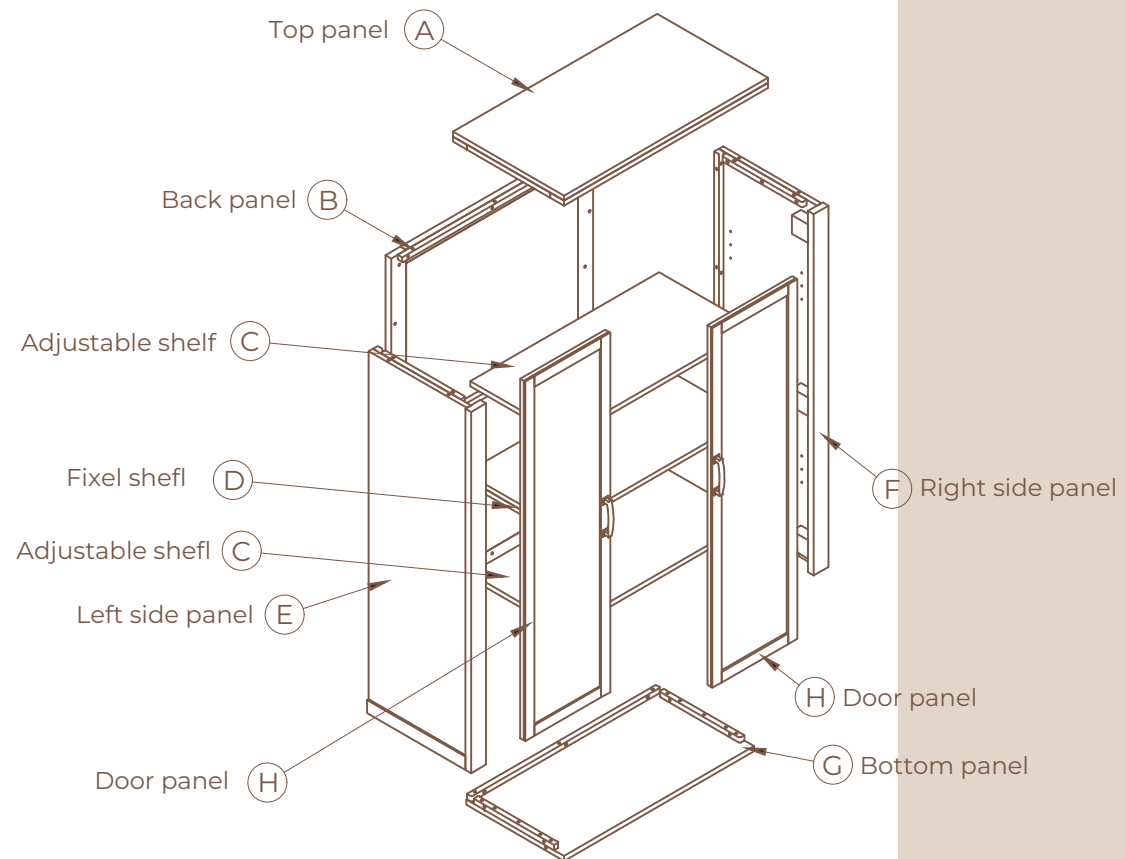
## Tools Required



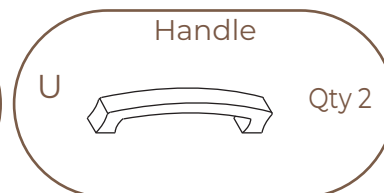
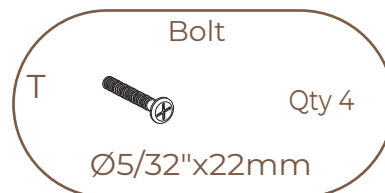
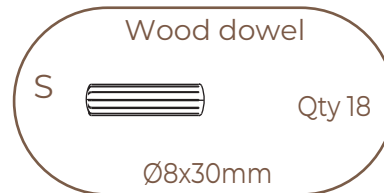
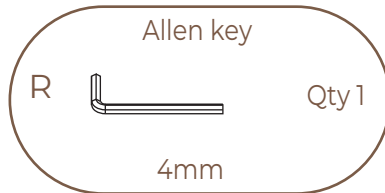
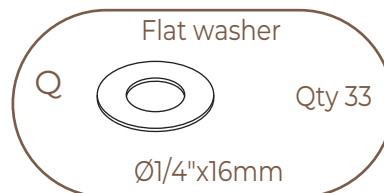
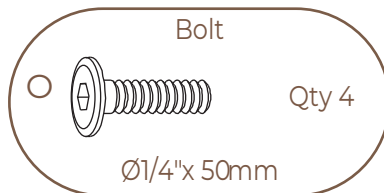
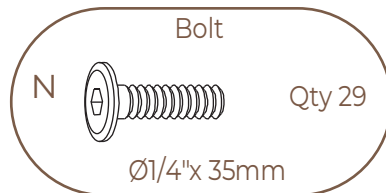
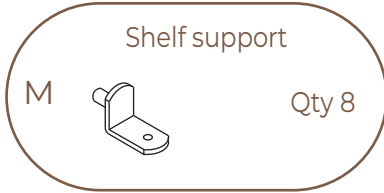
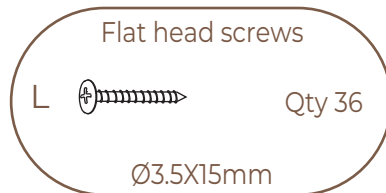
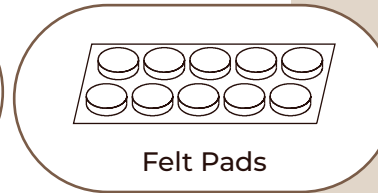
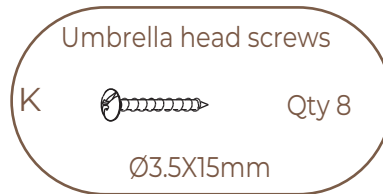
Screw Driver  
(included)

# PARTS LIST

---



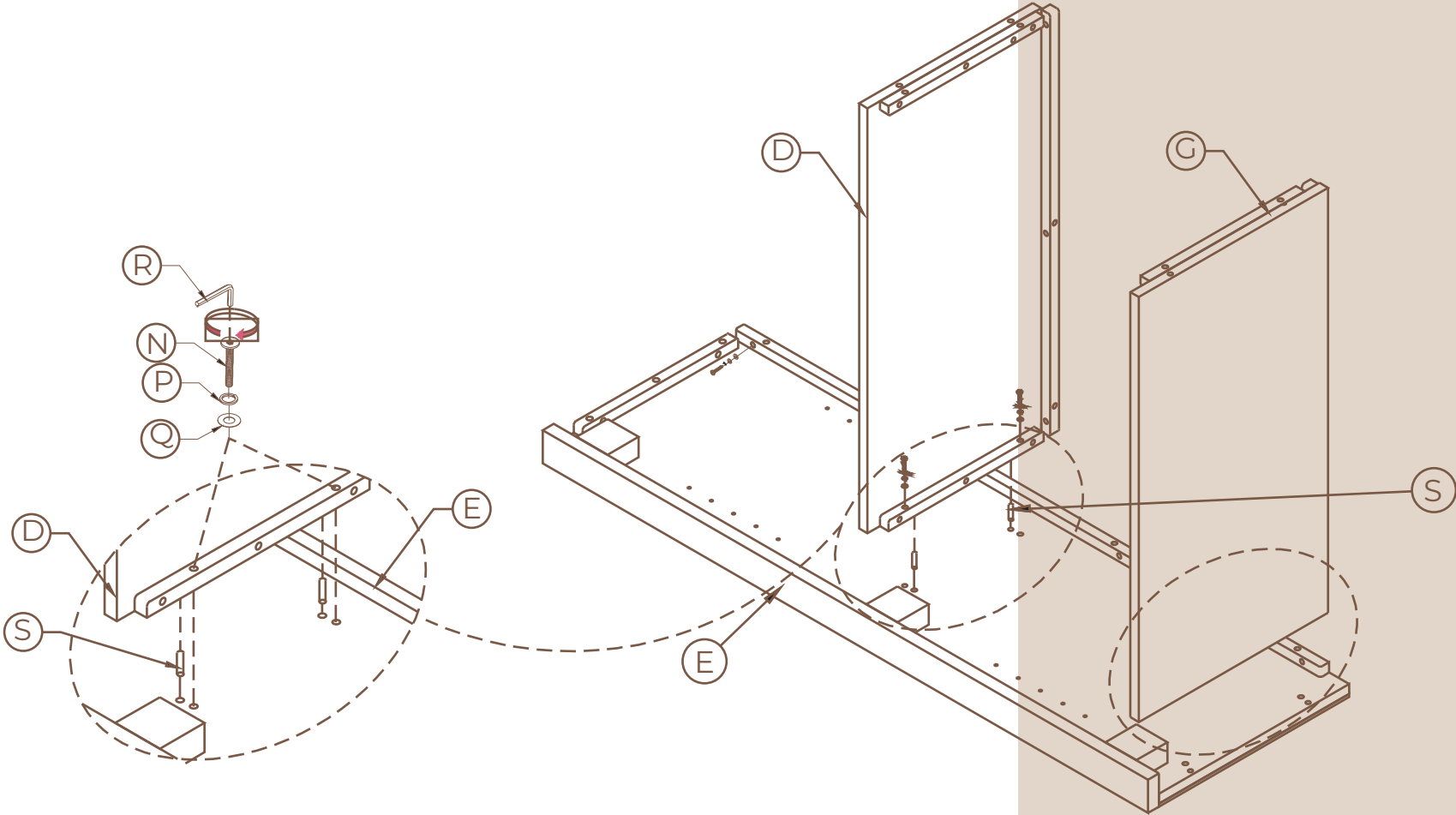
# PARTS LIST



# ASSEMBLY

## STEP 1

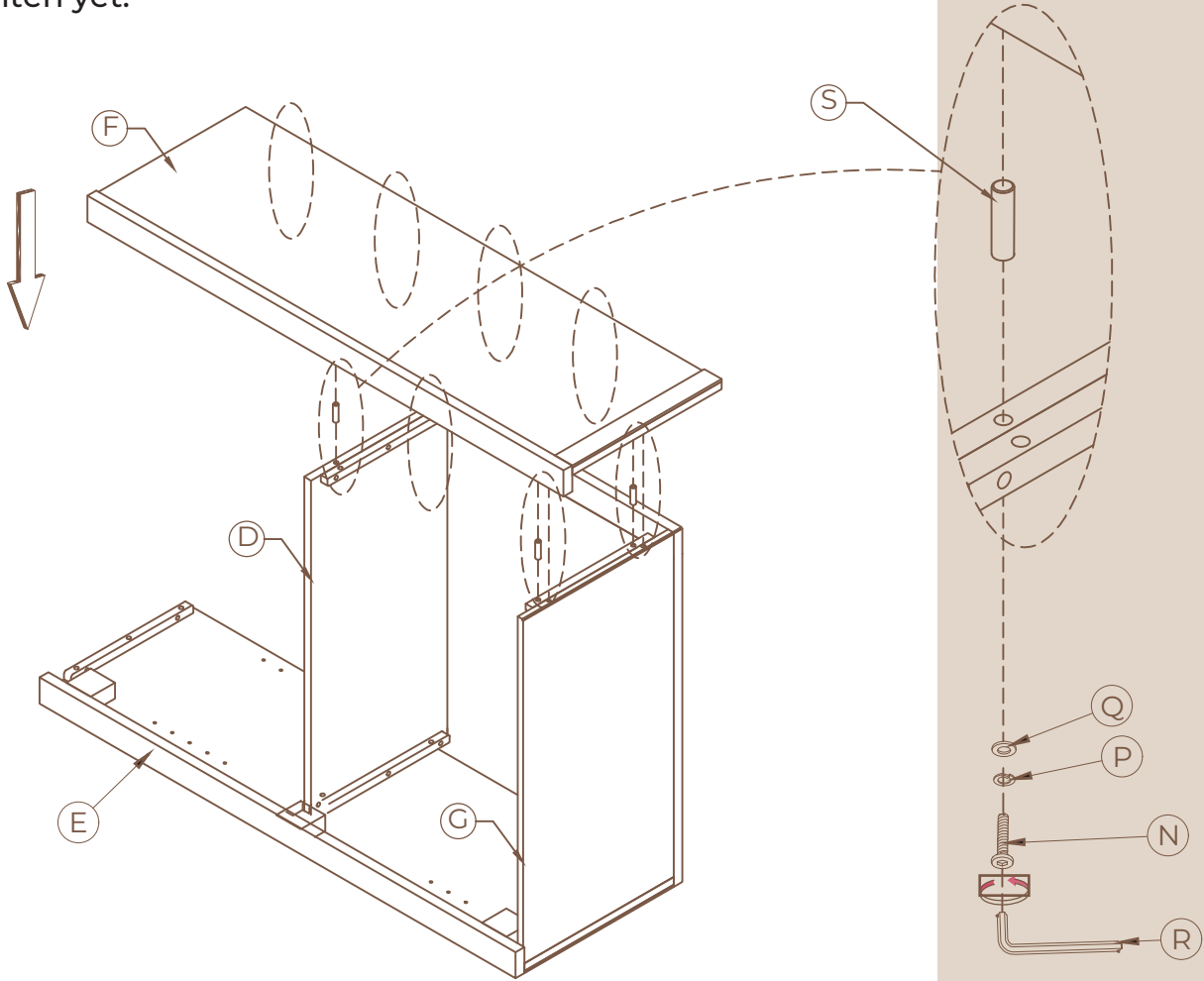
Insert the Left side panel E to Fixed shelf D, and Bottom panel G using Wood dowels S, Bolts N, Lock washers P, Flat washers Q, and Allen key R. Do not fully tighten yet



# ASSEMBLY

## STEP 2

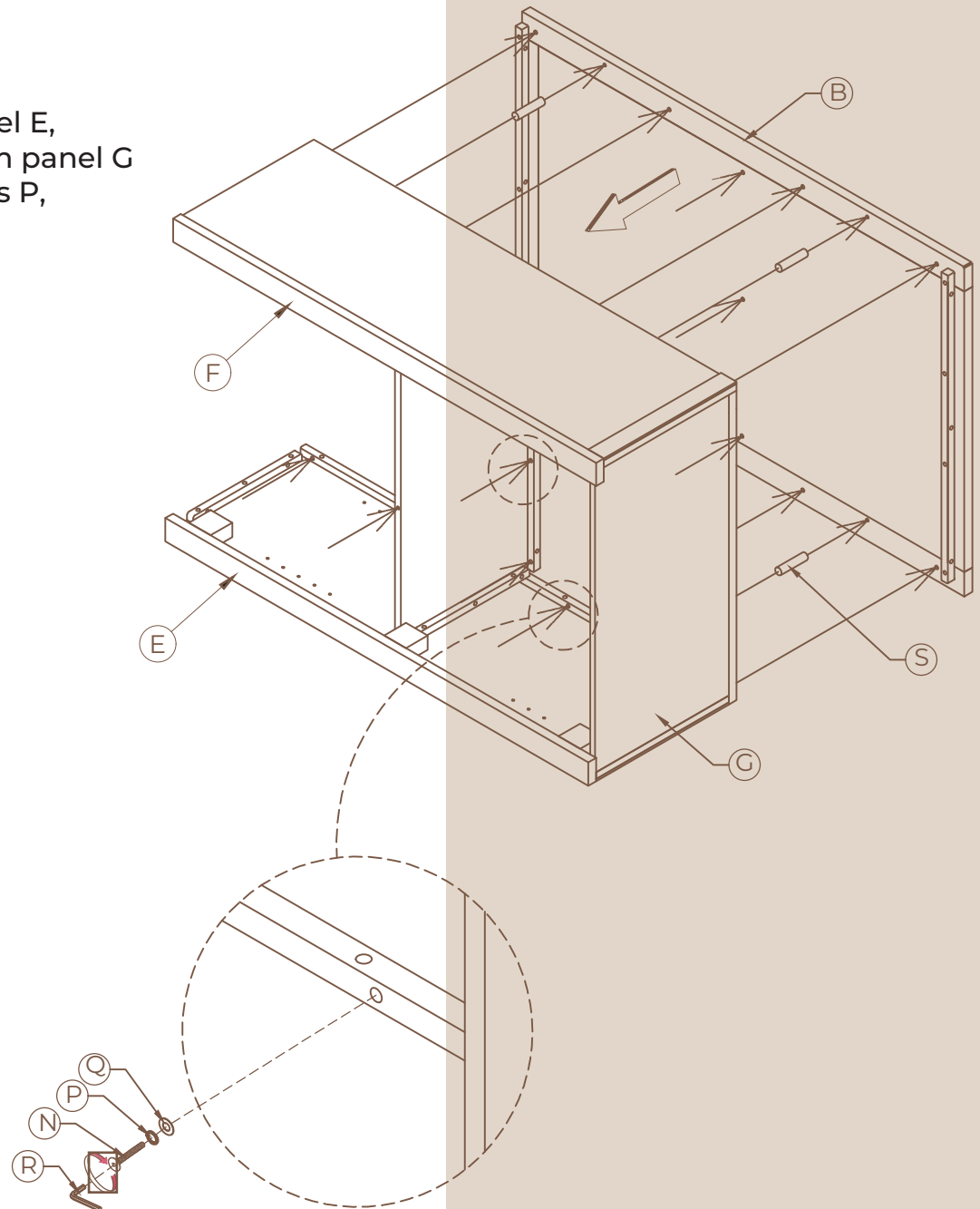
Insert the Right side panel F to Fixed shelf D, and Bottom panel G using Wood dowels S, Bolts N, Lock washers P, Flat washers Q, and Allen key R. Do not fully tighten yet.



# ASSEMBLY

## STEP 3

Insert the Back panel B to the Left side panel E, Right side panel F, Fixed shelf D, and Bottom panel G using Wood dowels S, Bolts N, Lock washers P, Flat washers Q, and Allen key R. Do not fully tighten yet.

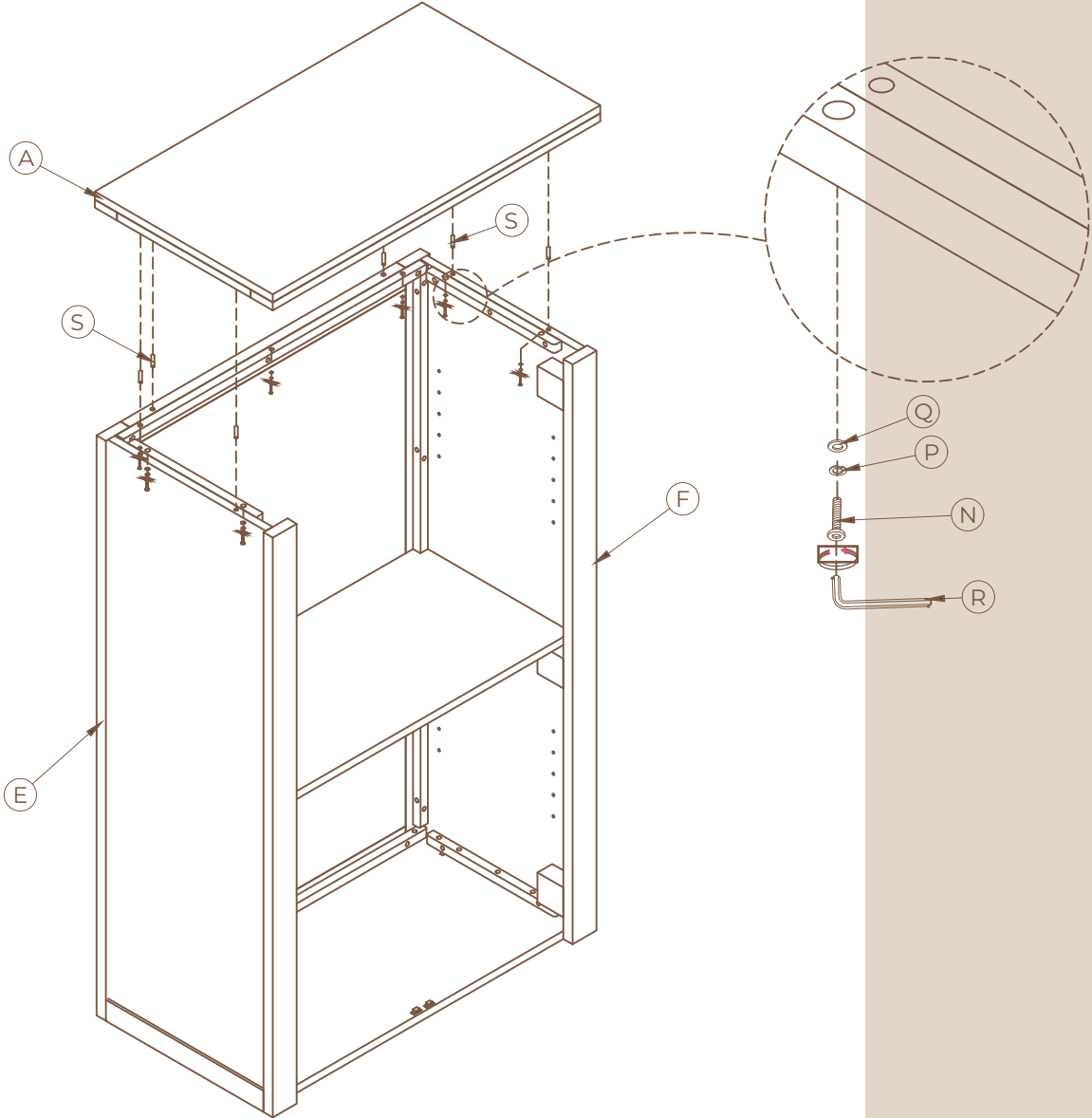




# ASSEMBLY

## STEP 4

Insert the Top panel A to Back panel B, Left side panel E & Right side panel F using Wood dowels S, Bolts N, Lock washers P, Flat washers Q, and Allen key R. Fully tighten all Bolts N from Step 1, 2, 3 and 4. Upper cabinet assembly complete

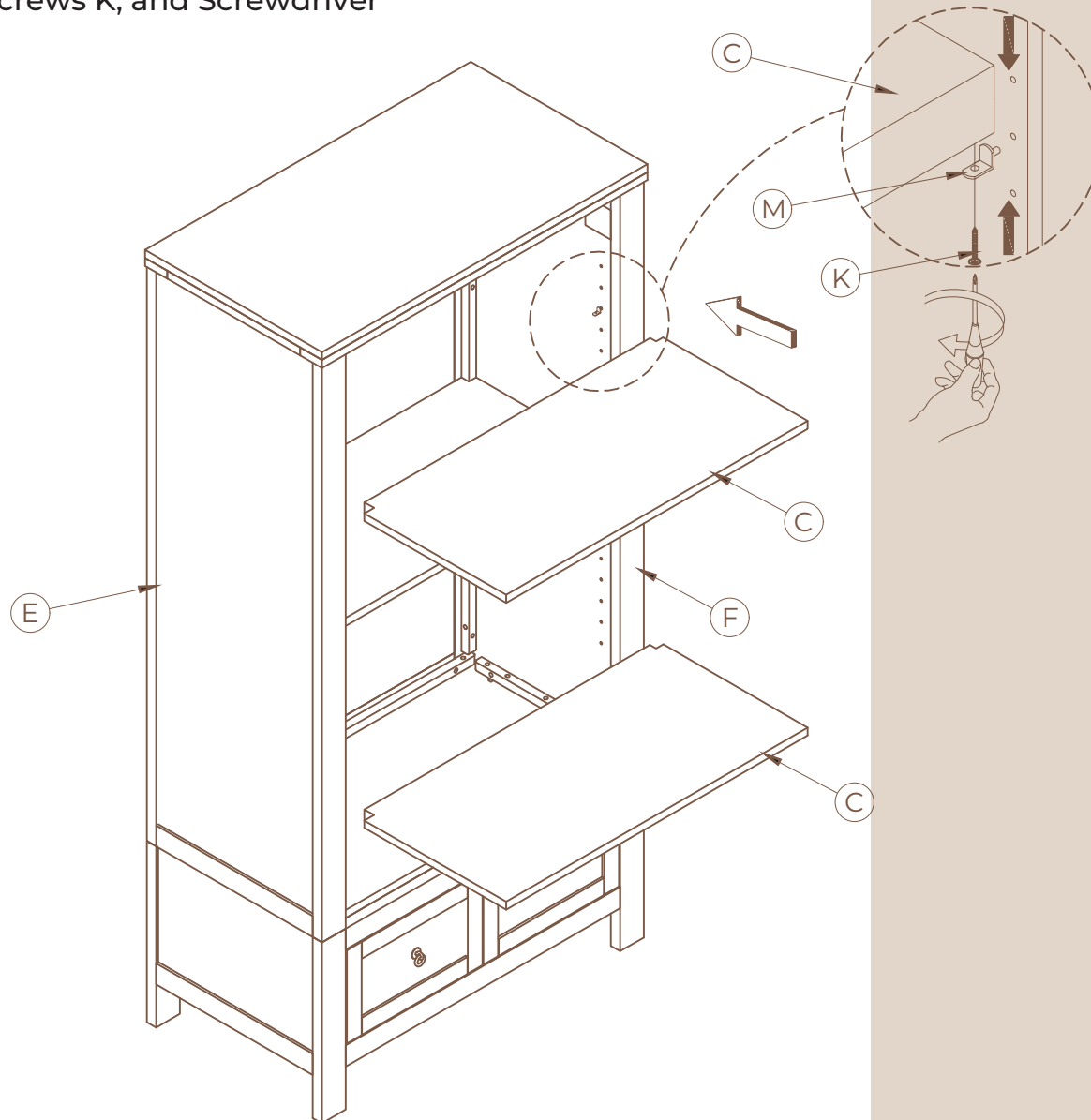




# ASSEMBLY

## STEP 6

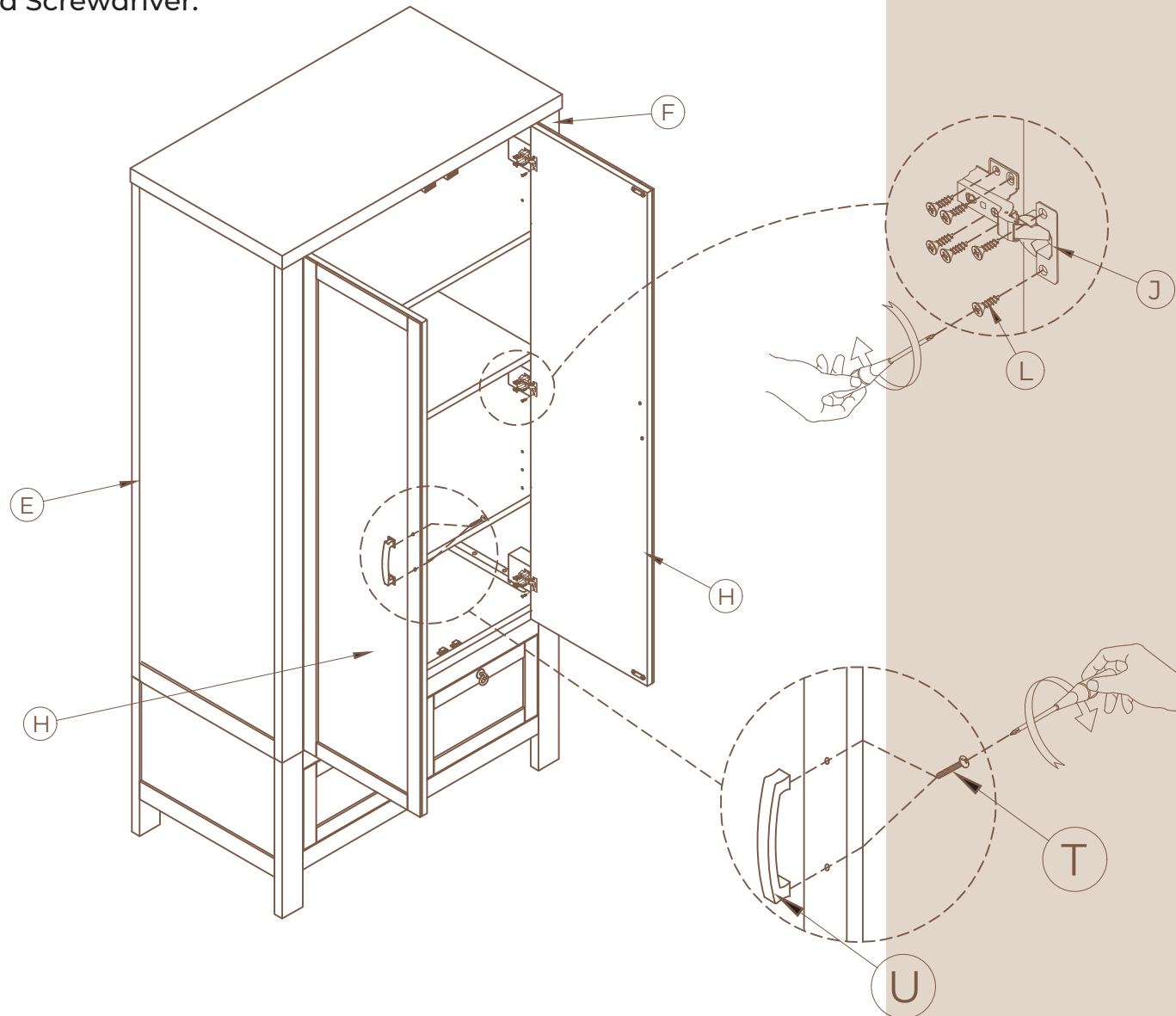
Insert the Adjustable shelf C to Left side panel E, and Right side panel F using Shelf supports M, Umbrella head screws K, and Screwdriver



# ASSEMBLY

## STEP 7

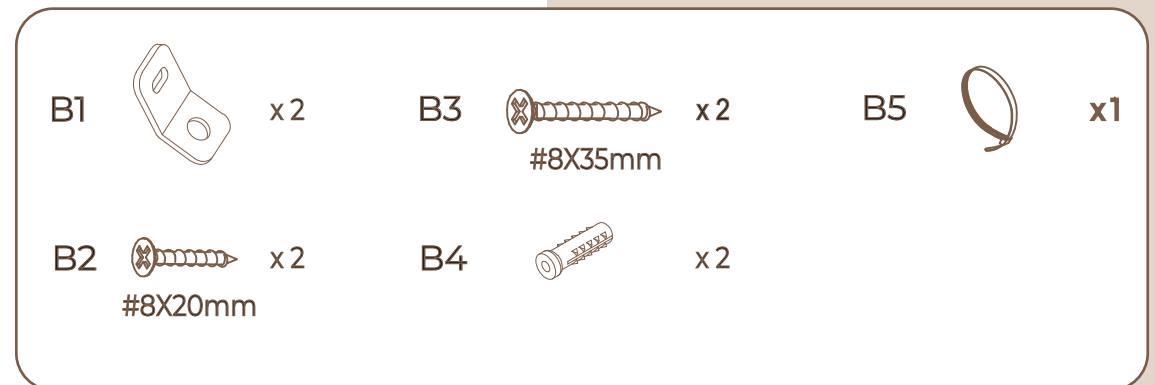
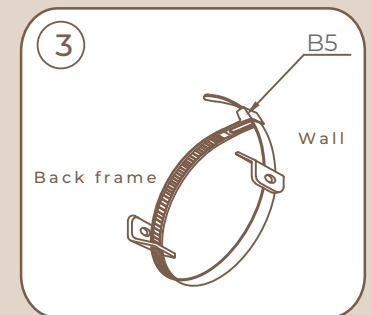
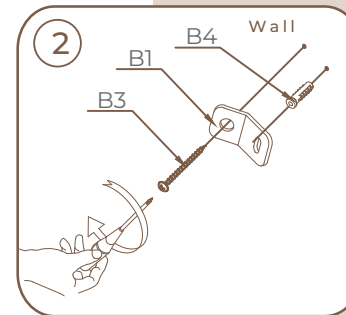
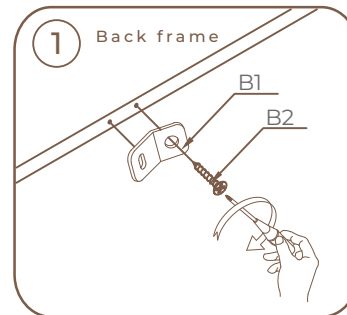
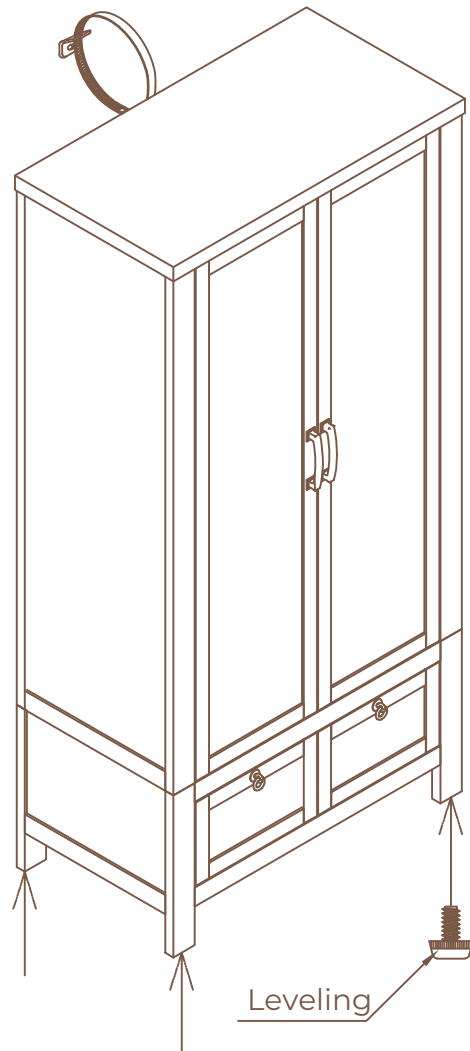
Insert the Door Panels H to Left side panel E, and Right side panel F using Hinges J, Flat head screws L, and Screwdriver. Assembly the Handles U to Door panels H using Bolts T, and Screwdriver.



# ANTI-TIPPING INSTRUCTION

## STEP 8

Put the cabinet on the flat, level surface. Assembly complete.



# ASSEMBLY

---

## STEP 1: Felt Pad Application (optional)

1. Wipe any dust from the surface for best adhesion
2. Gently peel the felt pad from the paper
3. Firmly apply a felt pad to each of the feet

