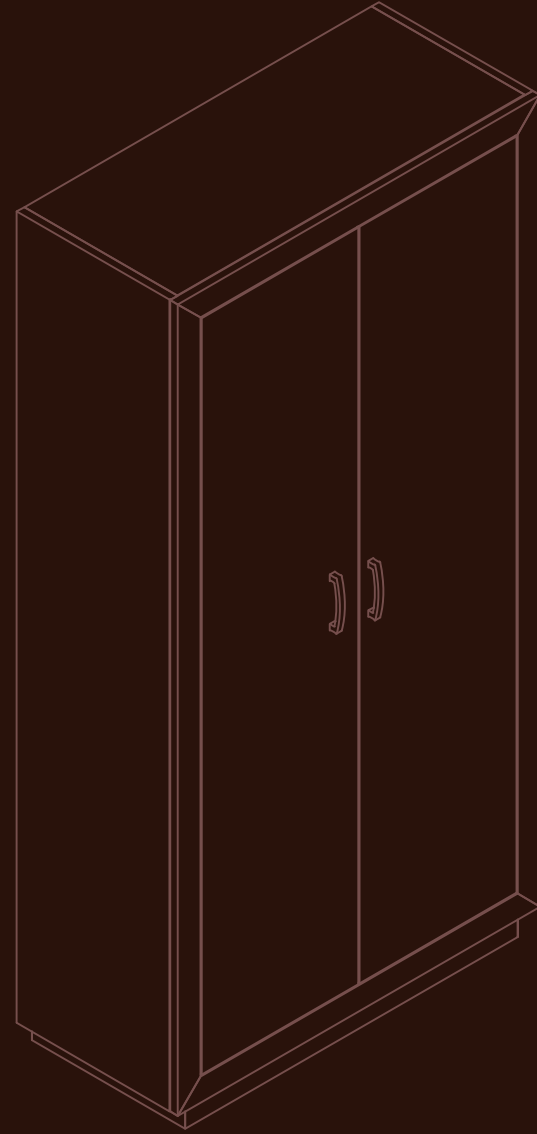


Contemporary  
**Uma**  
STORAGE CABINET



MFL

## ABOUT US

As unique individuals, we all have our own ways of expressing ourselves. Through expression, we open doors to new opportunities and communicate to the world.

At Maven Lane, we understand the profound impact that home design can have on personal expression. Our homes serve as our nests, reflecting our individual styles, personalities, and values. They are the spaces where we create meaningful memories and moments of comfort and peace.

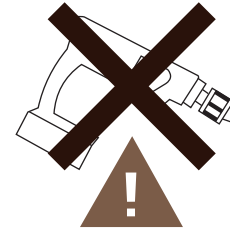
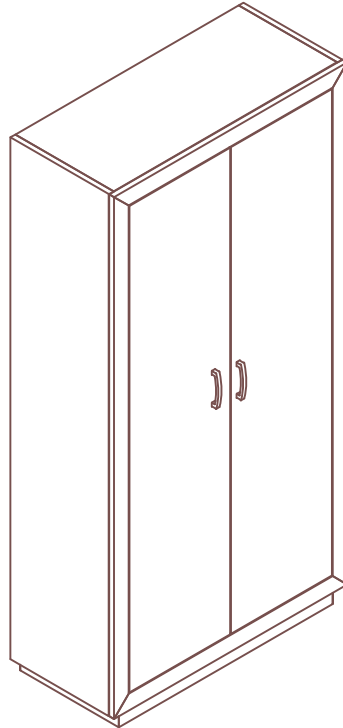
With this in mind, we set out to bring the finest in design, materials, and customer service directly to our customers, all at an attainable price point. Whether you're seeking to elevate your mornings with a cozy sanctuary or host laughter-filled dinners with loved ones, we are dedicated to helping you create a space that truly reflects who you are and what you aspire to be.

MAVENLANE.COM

 @mavenlanehome

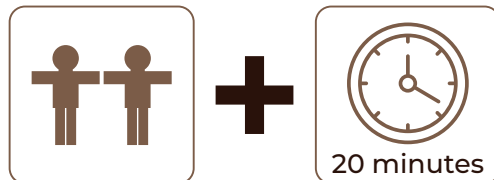


# ASSEMBLY INSTRUCTIONS



The use of power tools to assemble this product could lead to damage, making it unsafe

Please assemble on a clean, level surface to avoid damage and ensure proper assembly

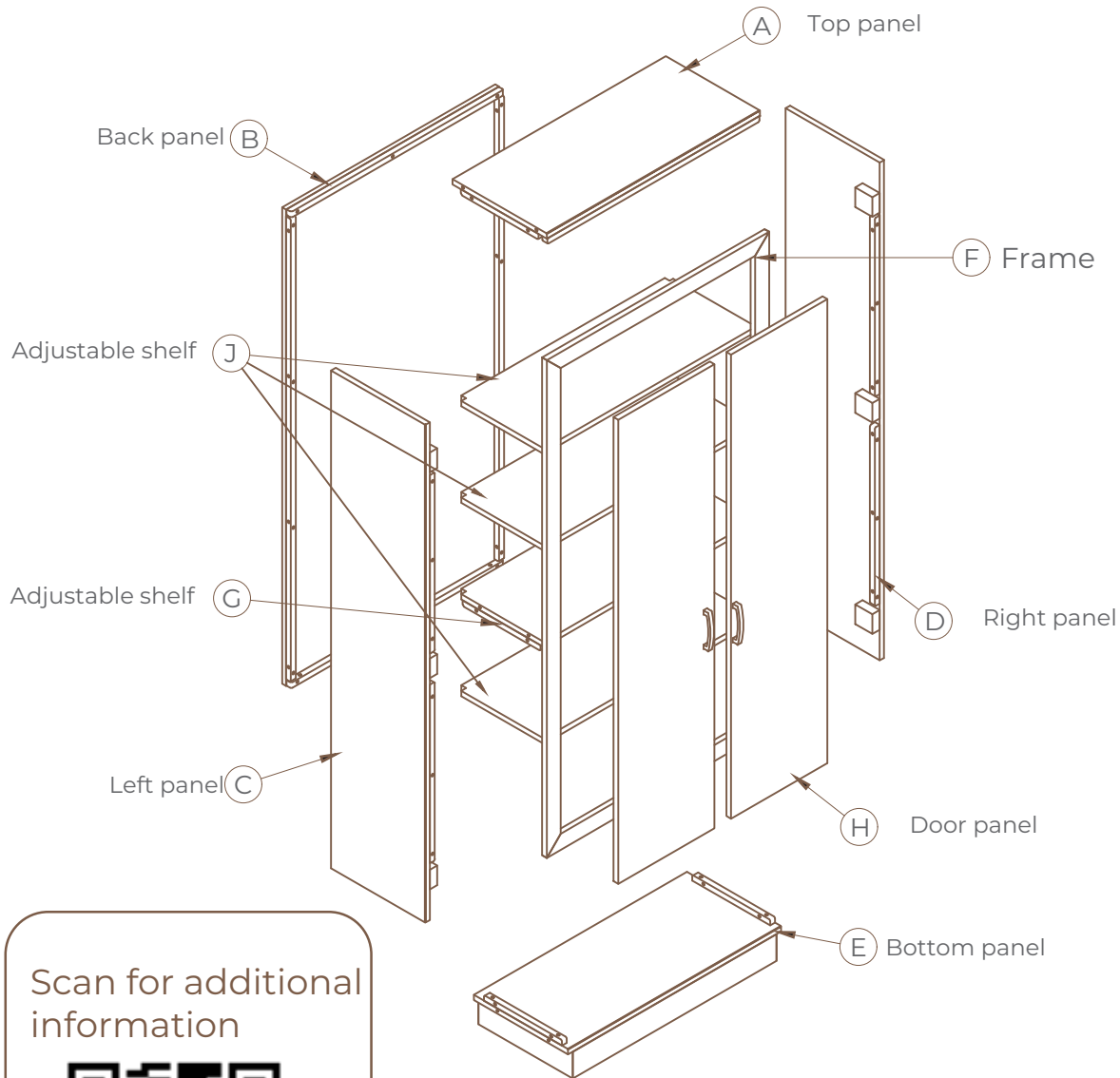


## Tools Required



Screw Driver  
(included)

# PARTS LIST



Scan for additional information

K Hinge Qty 6

L1 Flat head screws Qty 36  
Ø3.5X15mm

L2 Umbrella head screws Qty 12  
Ø3.5X15mm

M Shelf support Qty 12

N Bolt Qty 46  
Ø1/4"x 35mm

O Lock washer Qty 46  
Ø1/4"x11mm

P Flat washer Qty 46  
Ø1/4"x16mm

Q Allen Key Qty 1 PC  
5mm

R Wood dowel Qty 26  
Ø8x30mm

S Bolt Qty 4  
Ø5/32"x20mm

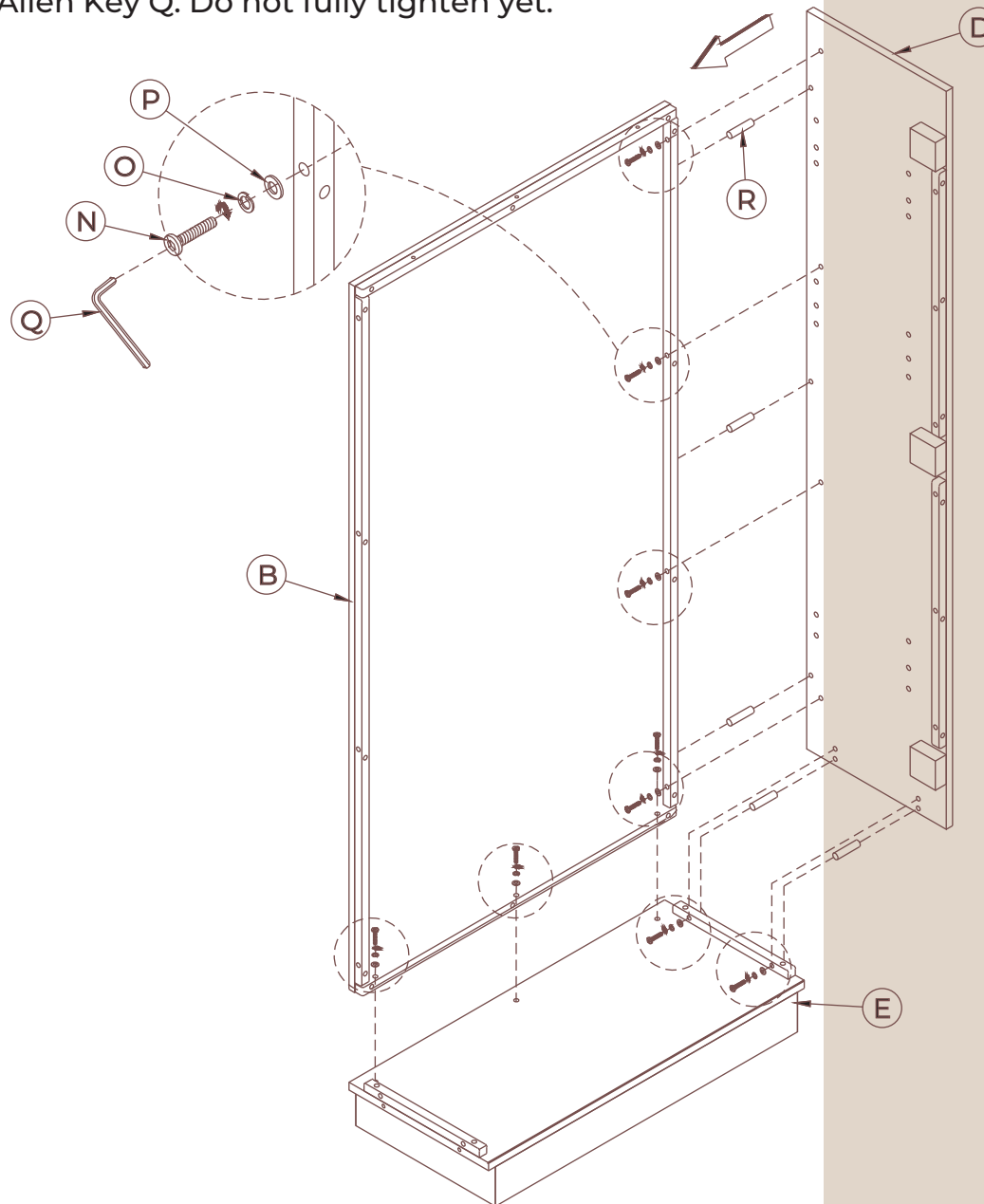
T Handle Qty 2

U Pelt pads Qty 1

# ASSEMBLY

## STEP 1

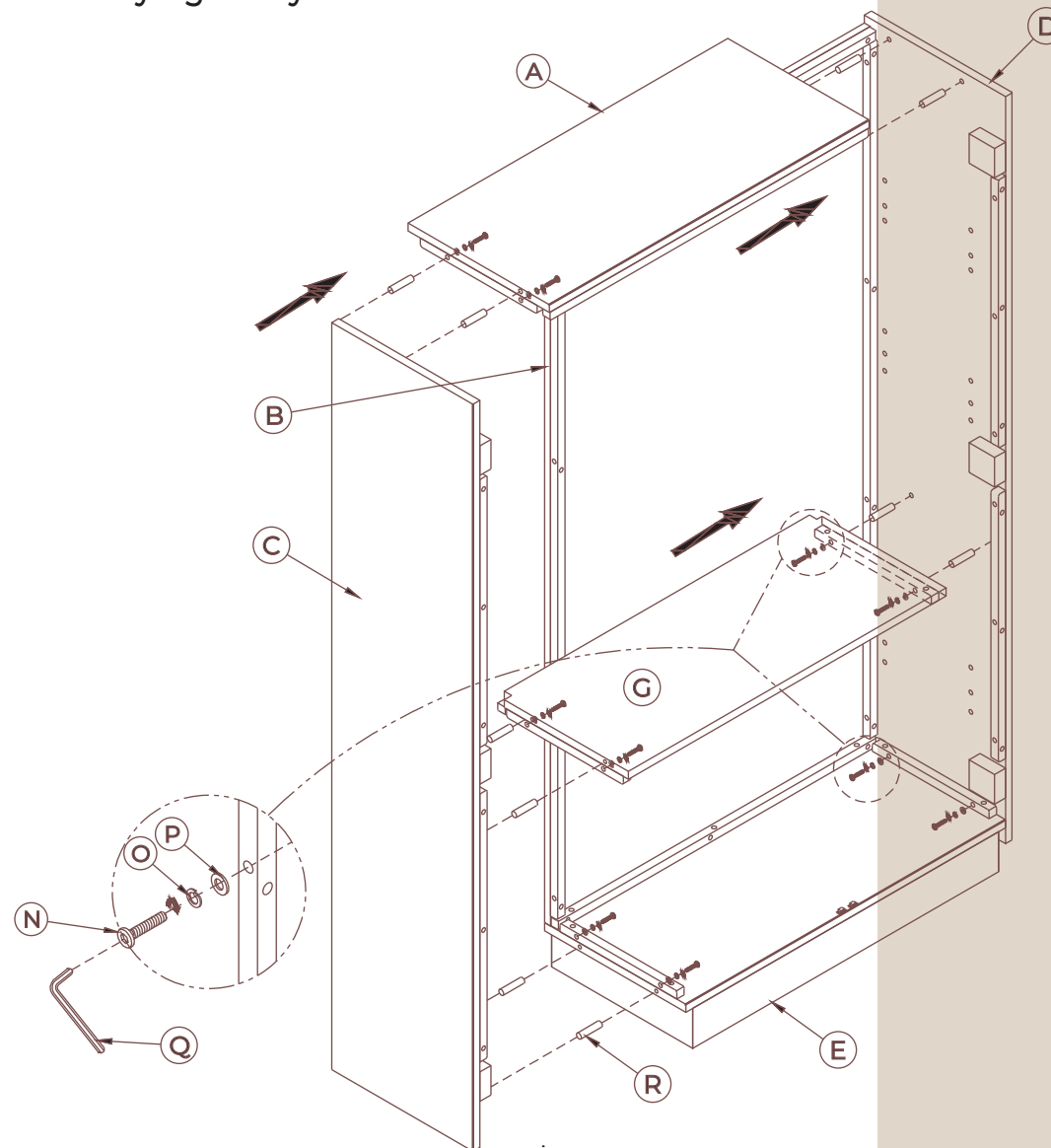
Insert the Back Panel B to Bottom Panel E using Bolts N, Lock Washers O, Flat Washers P, and Allen Key Q. Insert the Right Panel D to Back Panel B and Bottom Panel E using Wood Dowels R, Lock Washers O, Flat Washers P, and Allen Key Q. Do not fully tighten yet.



# ASSEMBLY

## STEP 2

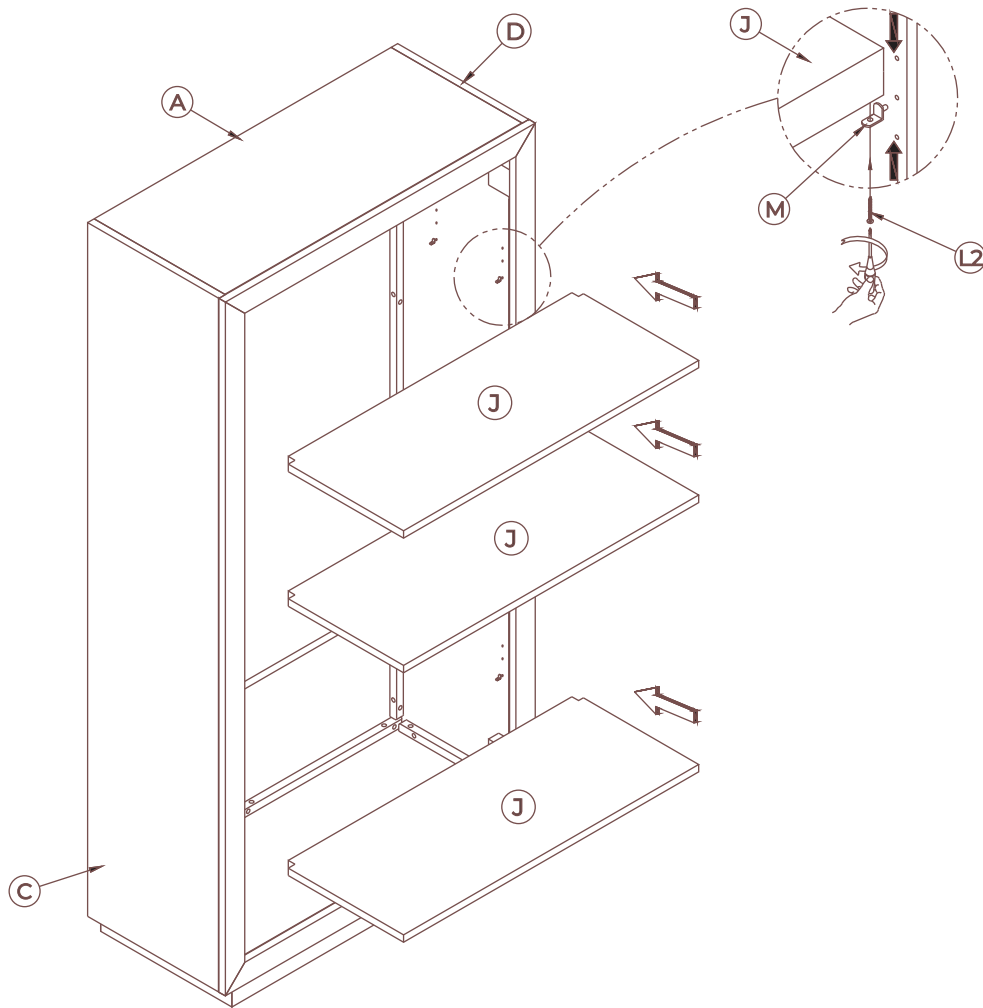
Insert the Top panel A to Back panel B and Right panel D using Wood dowels R, Bolts N, Lock washers O, Flat washers P, and Allen key Q. Insert the Adjustable shelf G to Right panel D using Wood dowels R, Bolts N, Lock washers O, Flat washers P, and Allen key Q. Insert the Left panel C to Top panel A, Back panel B, Adjustable shelf G and Bottom panel E using Wood dowels R, Bolts N, Lock washers O, Flat washers P, and Allen key Q. Do not fully tighten yet.



# ASSEMBLY

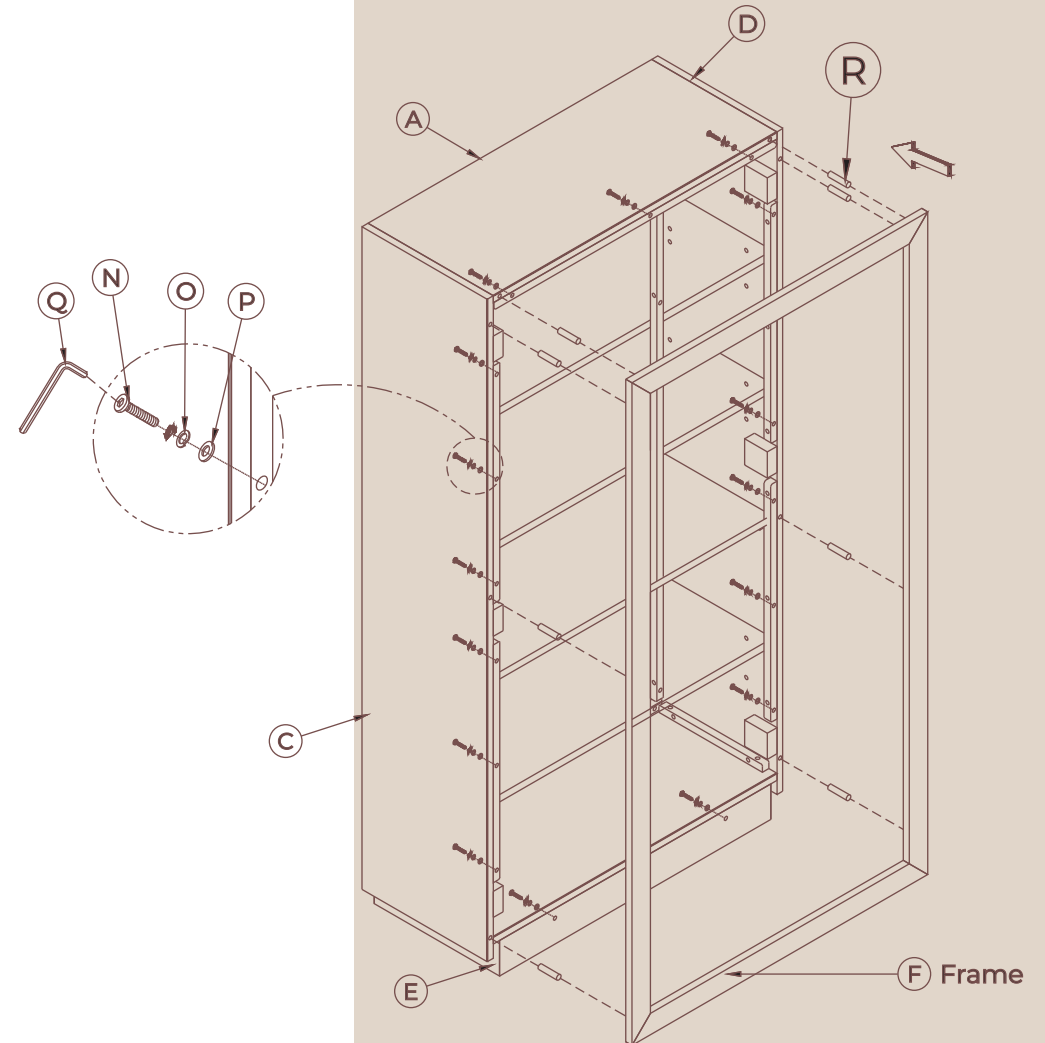
## STEP 3

Insert the Adjustable Shelves J to Left Panel C and Right Panel D using Shelf Supports M, Umbrella Head Screws L2, and Screwdriver



## STEP 4

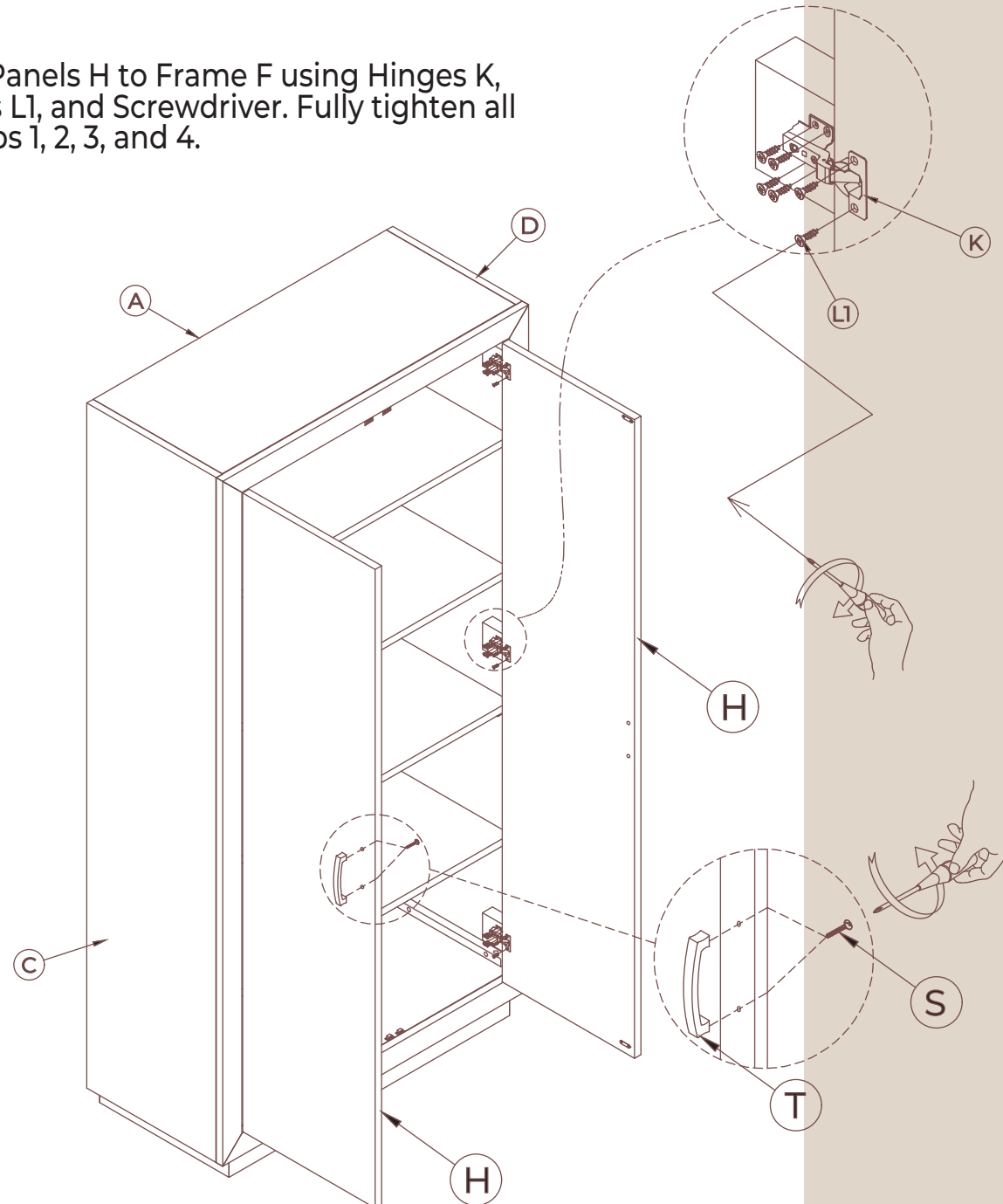
Insert the Frame F to Top Panel A, Right Panel D, Left Panel C and Bottom Panel E using Wood Dowels R, Bolts N, Lock Washers O, Flat Washers P, and Allen Key Q. Do not fully tighten yet.



# ASSEMBLY

## STEP 4

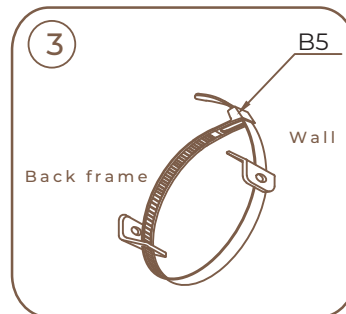
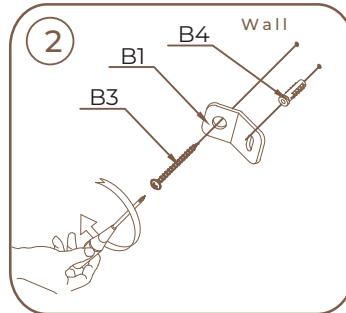
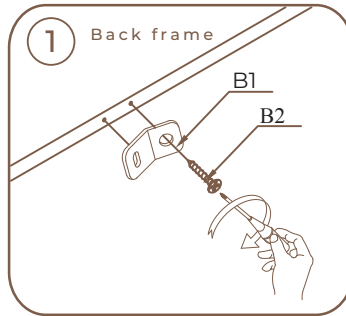
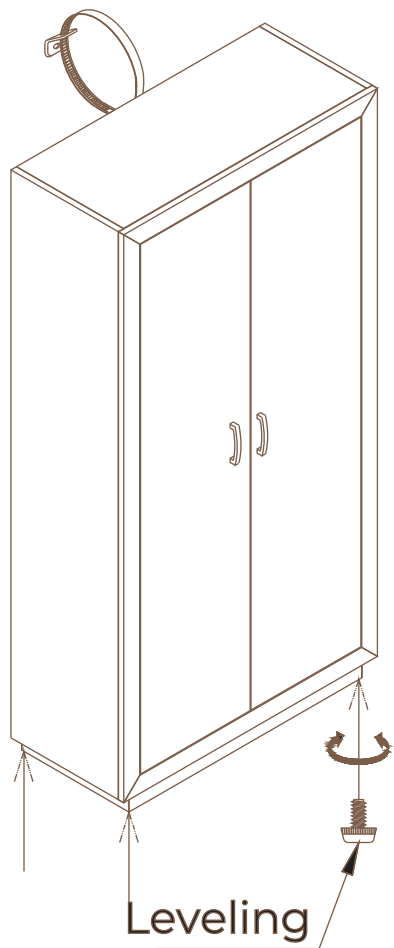
Insert the Door Panels H to Frame F using Hinges K, Flat Head Screws L1, and Screwdriver. Fully tighten all Bolts N from Steps 1, 2, 3, and 4.


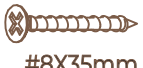







# ASSEMBLY

## Anti-Tip Safety



- |    |   |    |    |   |    |    |   |    |
|----|---|----|----|---|----|----|---|----|
| B1 |  | x2 | B3 |  | x2 | B5 |  | x1 |
| B2 |  | x2 | B4 |  | x2 |    |   |    |
|    | #8X20mm   |    |    |   |    |    |   |    |

## Felt Pad Application (optional)

1. Wipe any dust from the surface for best adhesion
2. Gently peel the felt pad from the paper
3. Firmly apply a felt pad to each of the feet

