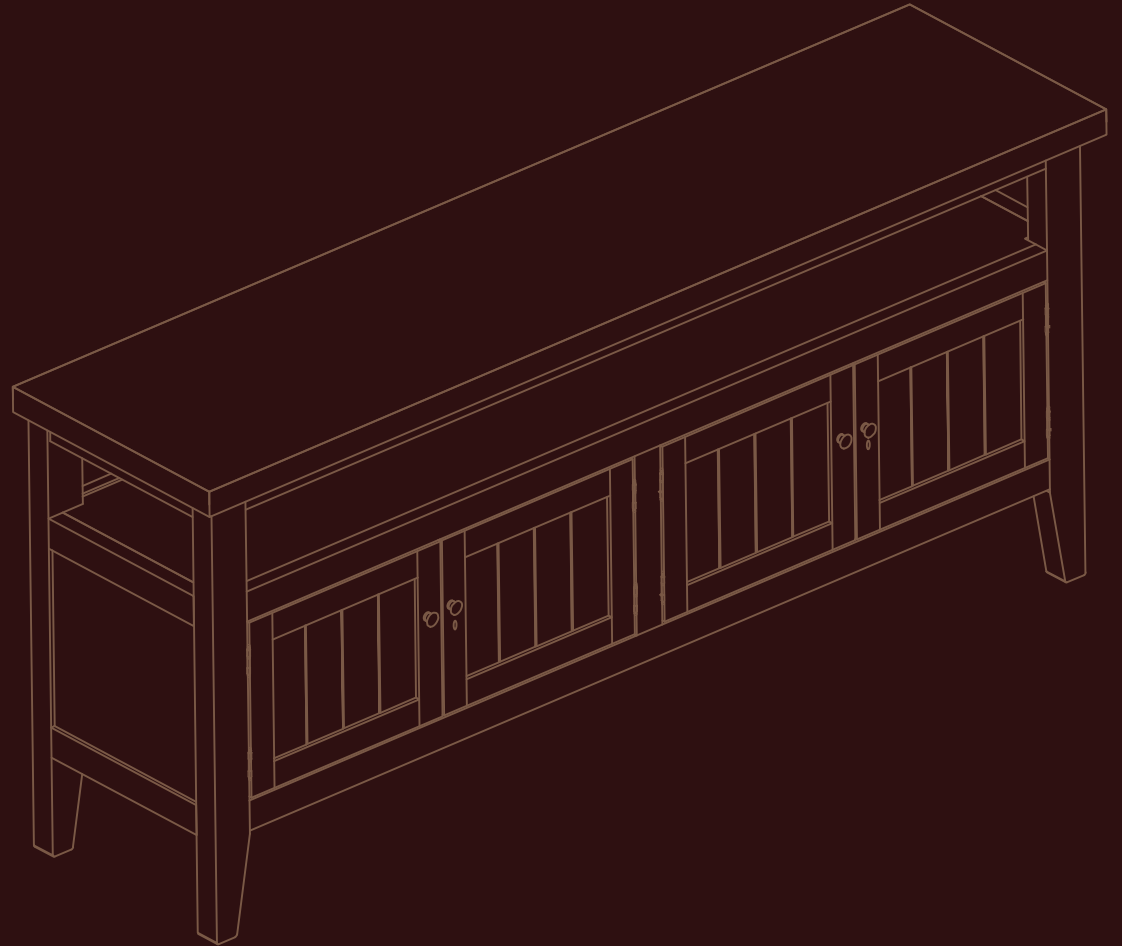


Classical

Turner

MEDIA UNIT CABINET

MFL



MAVENLANE.COM

 @mavenlanehome

Classical Turner Media Unit Cabinet



ABOUT US

As unique individuals, we all have our own ways of expressing ourselves. Through expression, we open doors to new opportunities and communicate to the world.

At Maven Lane, we understand the profound impact that home design can have on personal expression. Our homes serve as our nests, reflecting our individual styles, personalities, and values. They are the spaces where we create meaningful memories and moments of comfort and peace.

With this in mind, we set out to bring the finest in design, materials, and customer service directly to our customers, all at an attainable price point. Whether you're seeking to elevate your mornings with a cozy sanctuary or host laughter-filled dinners with loved ones, we are dedicated to helping you create a space that truly reflects who you are and what you aspire to be.

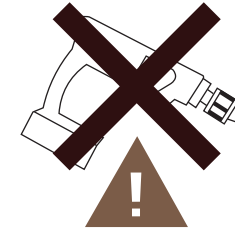
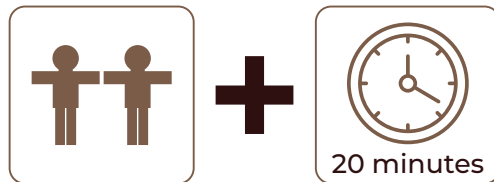
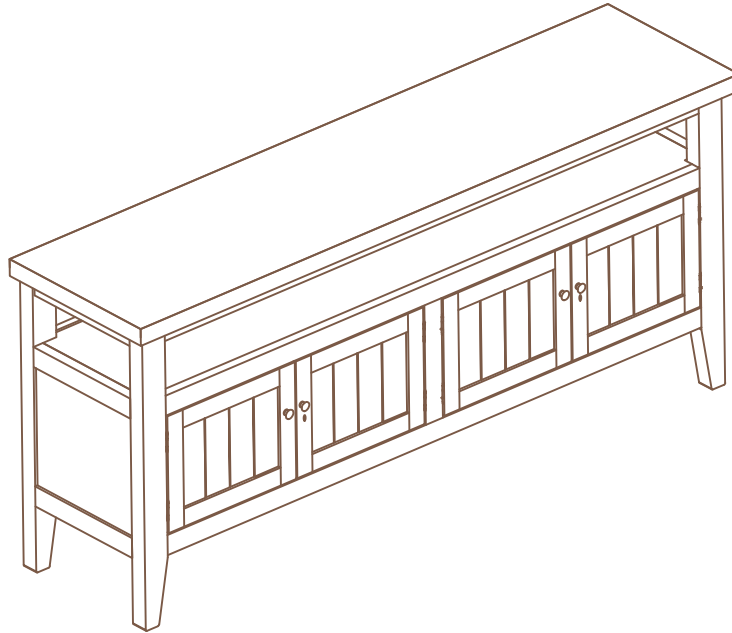
MAVENLANE.COM

 @mavenlanehome



CLASSICAL TURNER MEDIA UNIT CABINET

ASSEMBLY INSTRUCTIONS



The use of power tools to assemble this product could lead to damage, making it unsafe

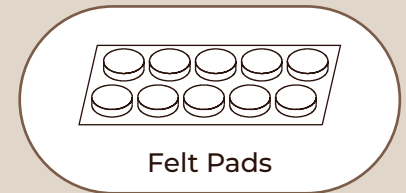
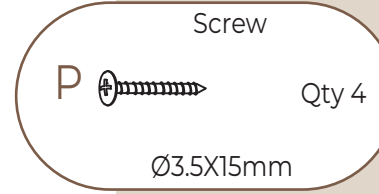
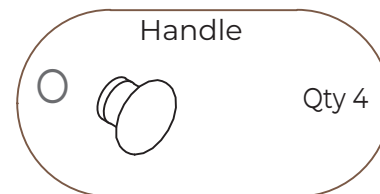
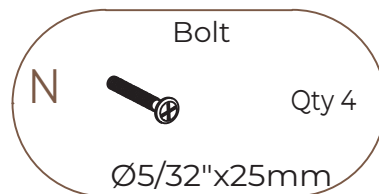
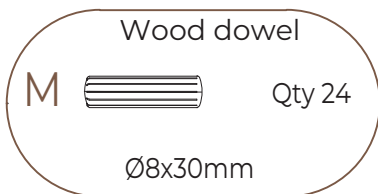
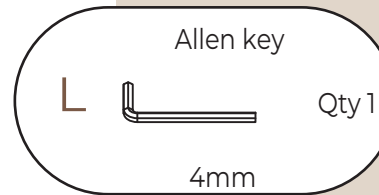
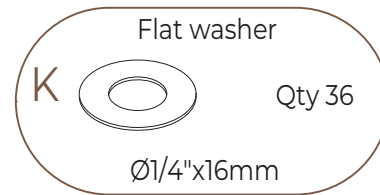
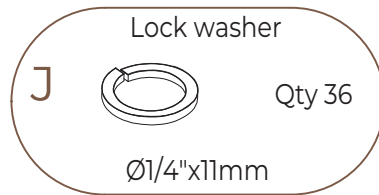
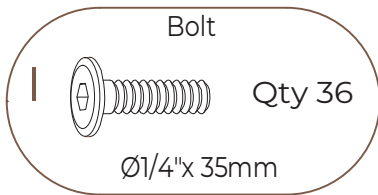
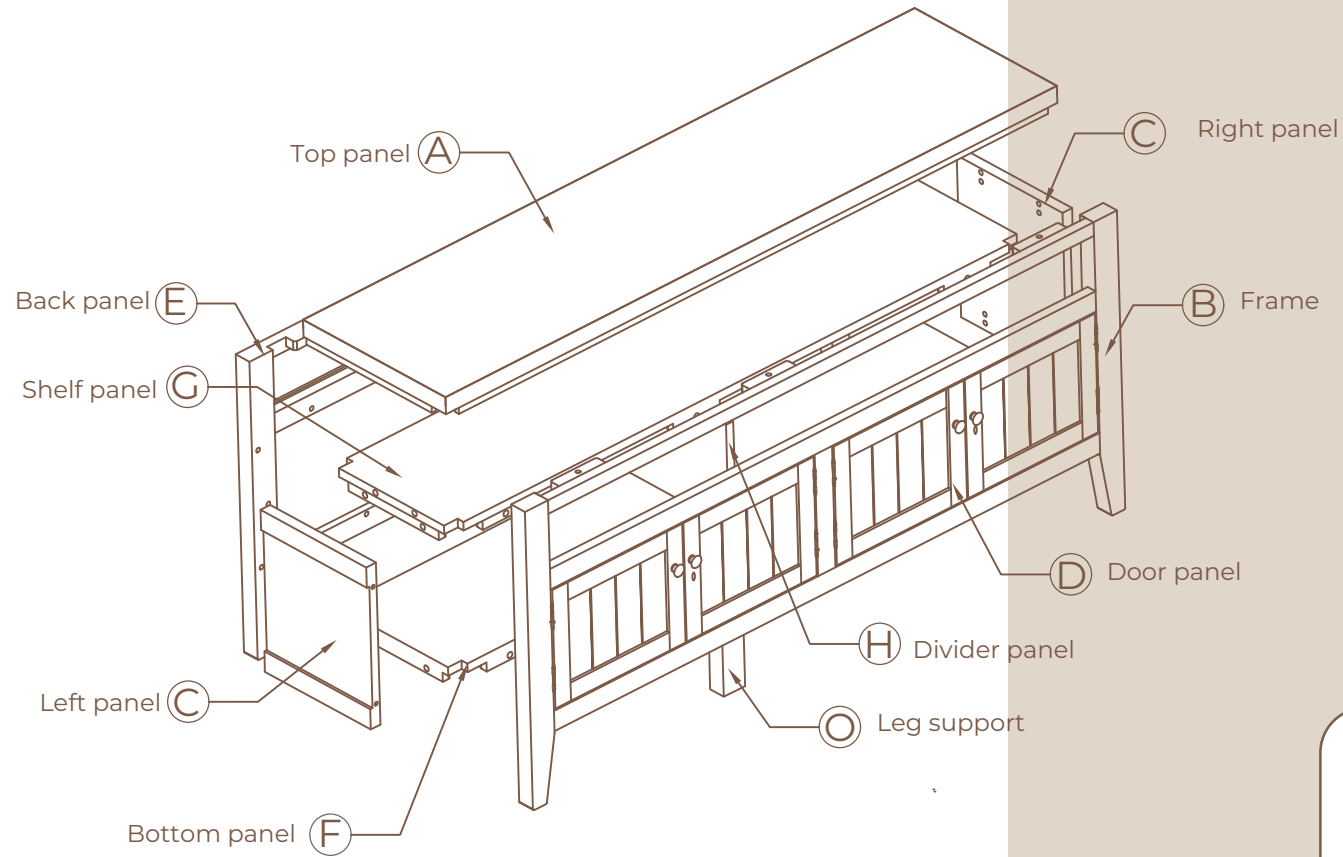
Please assemble on a clean, level surface to avoid damage and ensure proper assembly

Tools Required



Screwdriver
(Not included)

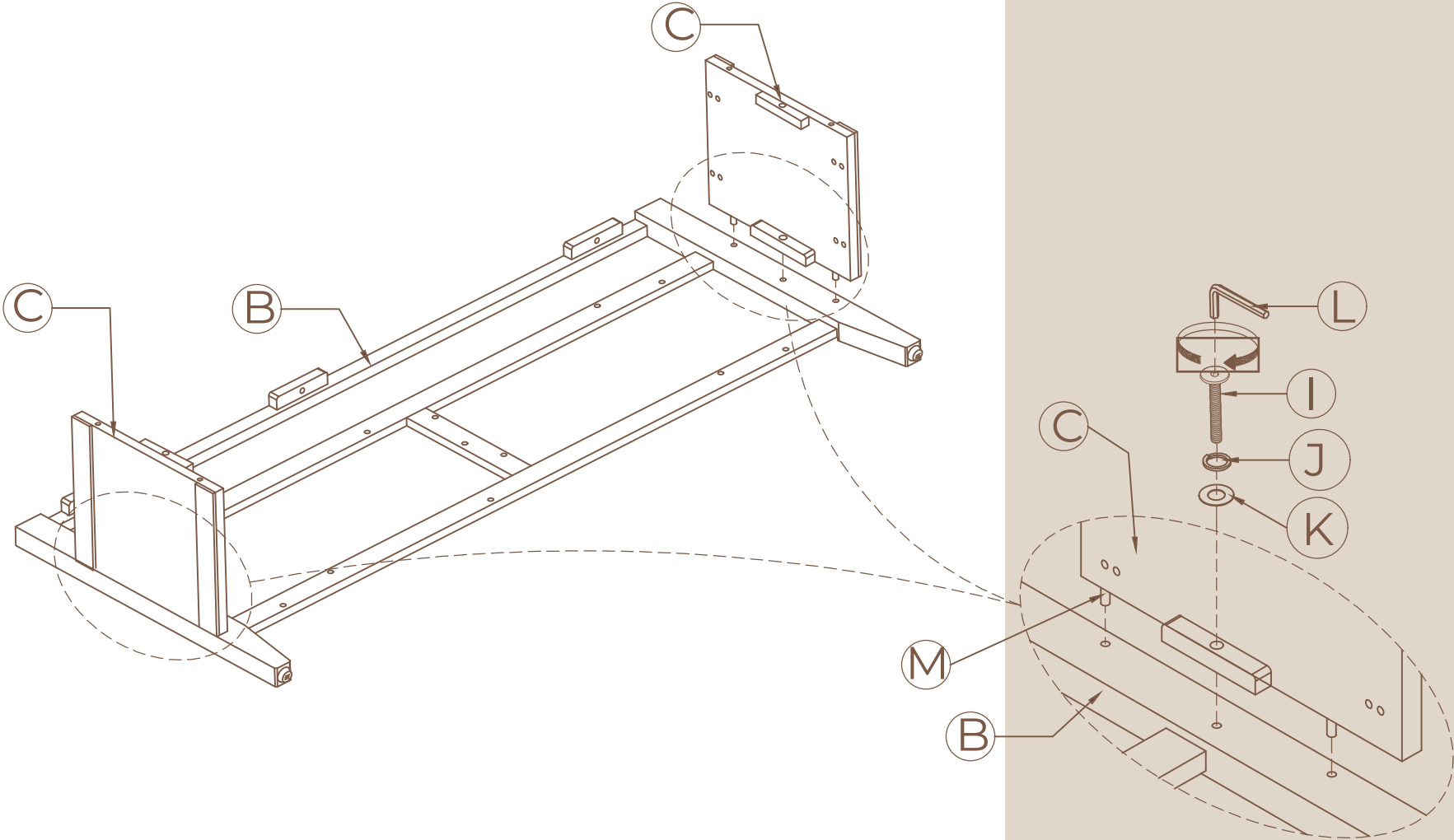
PARTS LIST



ASSEMBLY

STEP 1

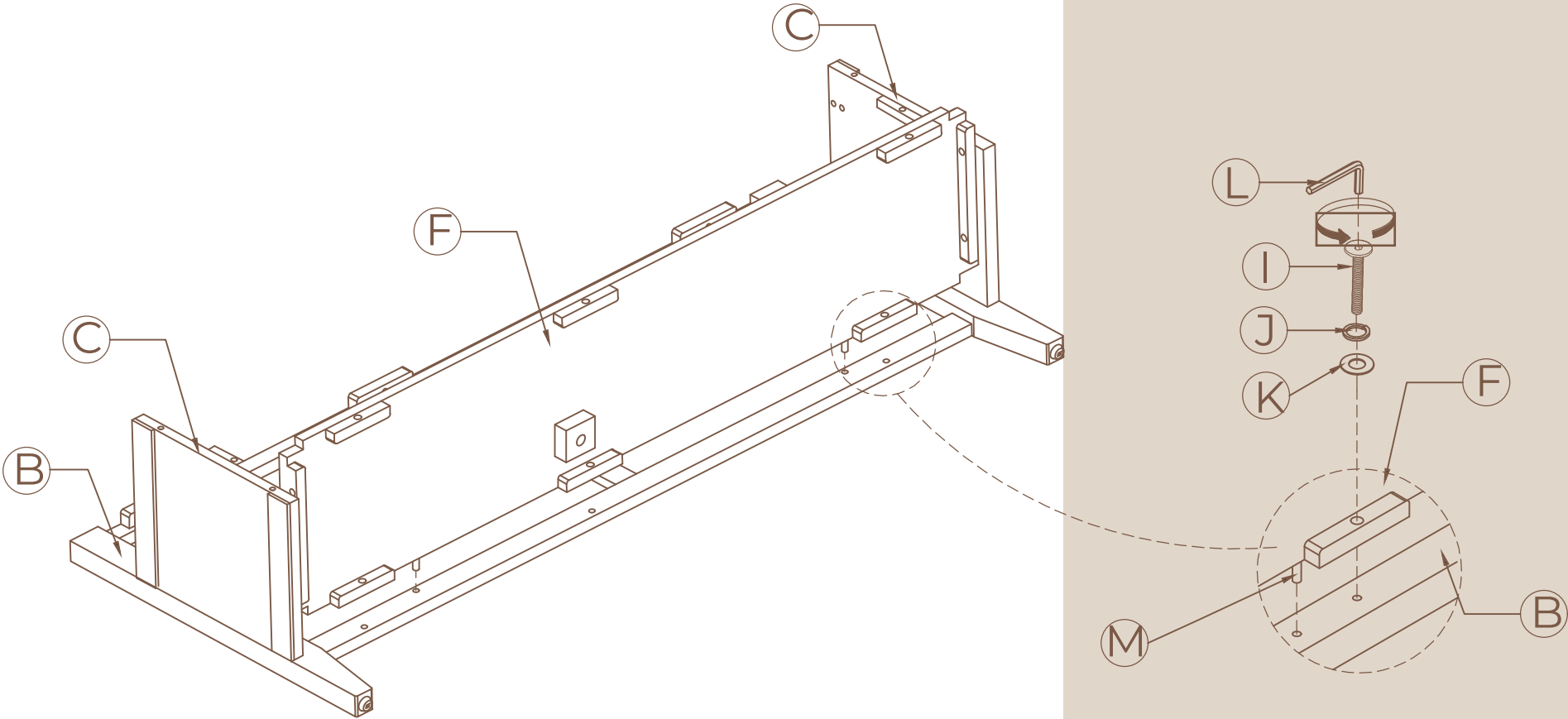
Insert the Frame B to Sides panels C using Wood dowels M, Bolts I, Lock washers J, Flat washers K, and Allen key L. Do not fully tighten yet



ASSEMBLY

STEP 2

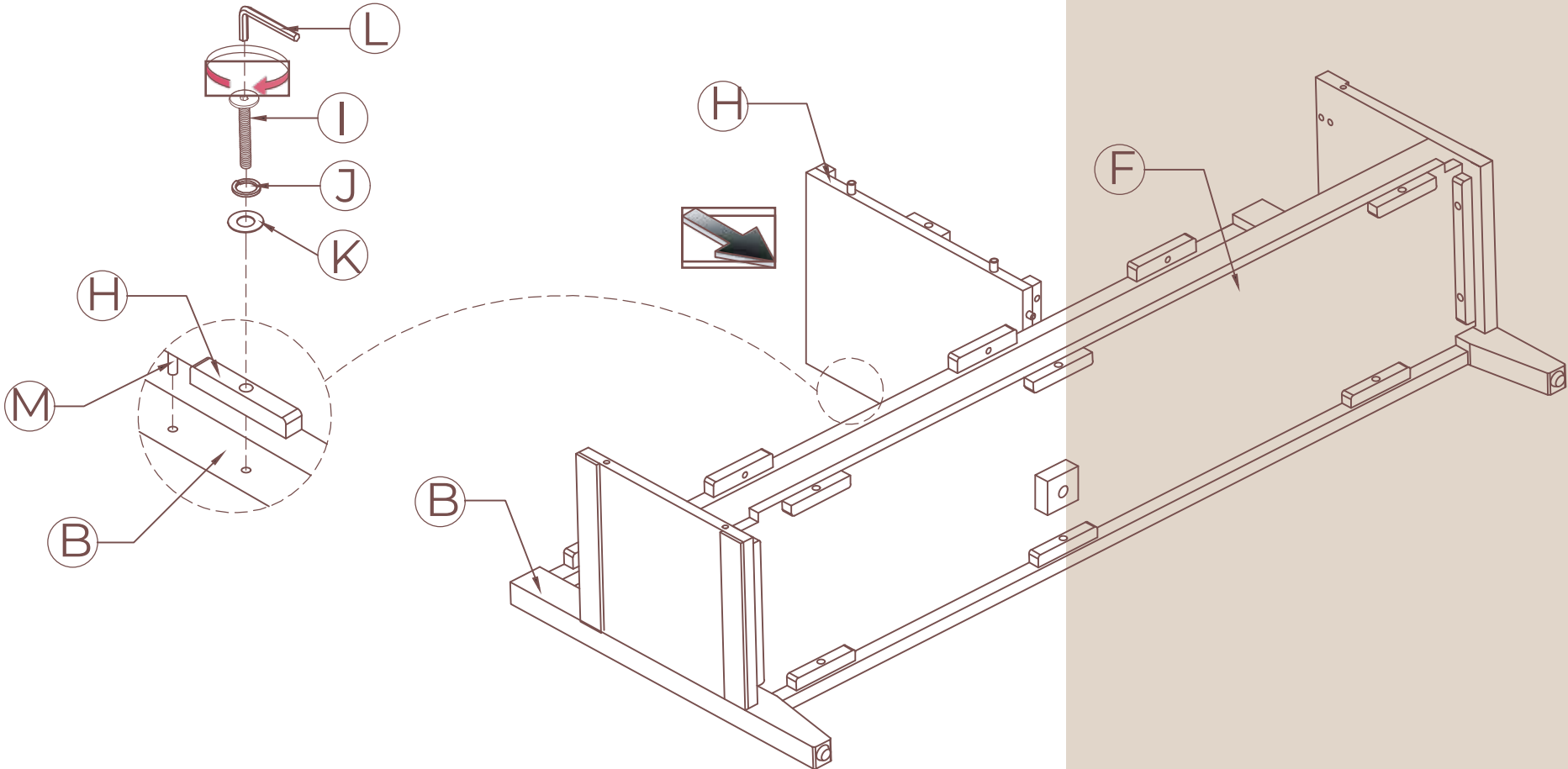
Insert the Bottom panel F to Frame B, and Side panels C using Wood dowels M, Bolts I, Lock washers J, Flat washers K, and Allen key L. Do not fully tighten yet



ASSEMBLY

STEP 3

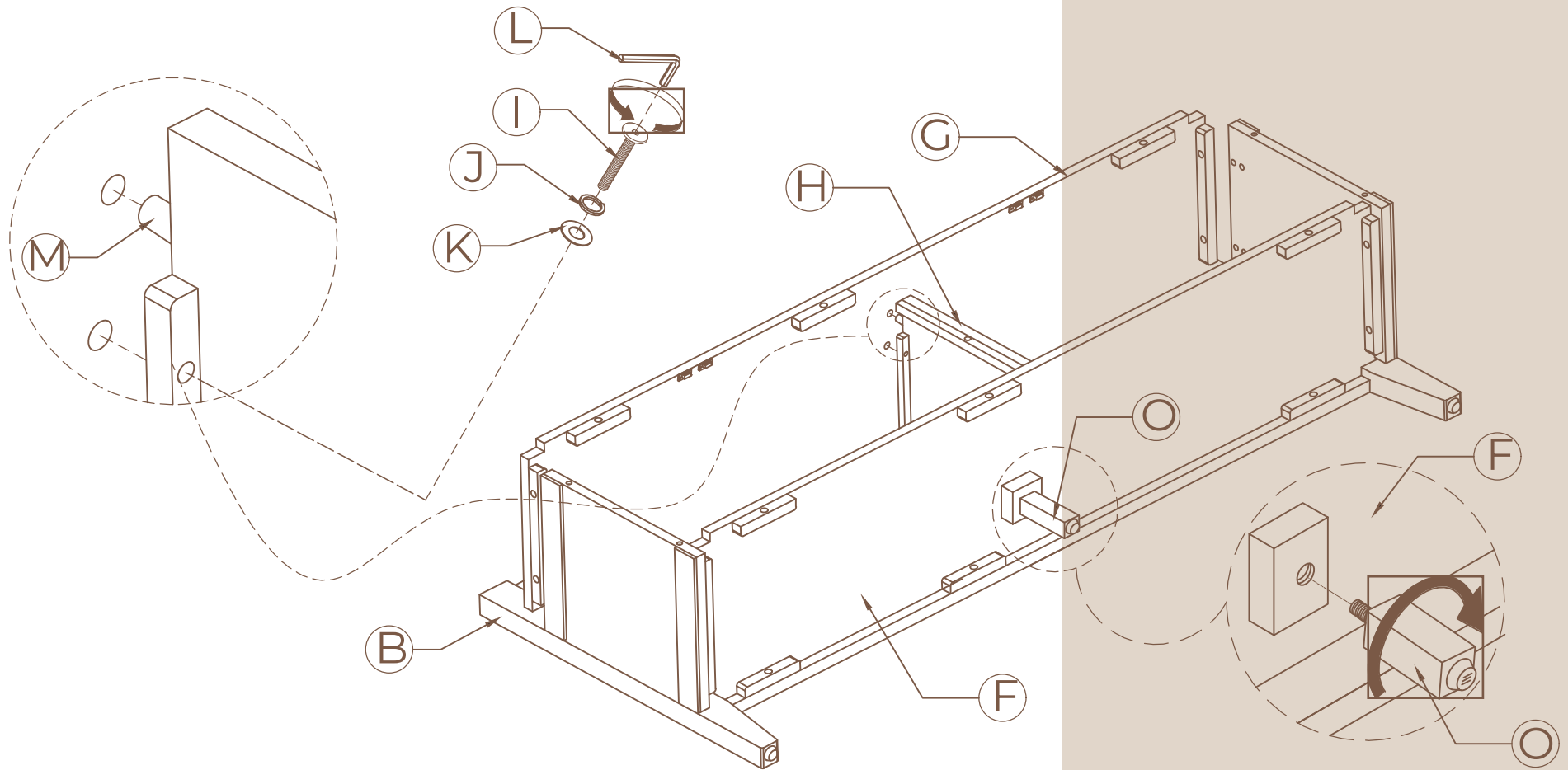
Insert the Divider panel H to Bottom panel F, and Frame B using Wood dowels M, Bolts I, Lock washers J, Flat washers K, and Allen key L. Do not fully tighten yet.



ASSEMBLY

STEP 4

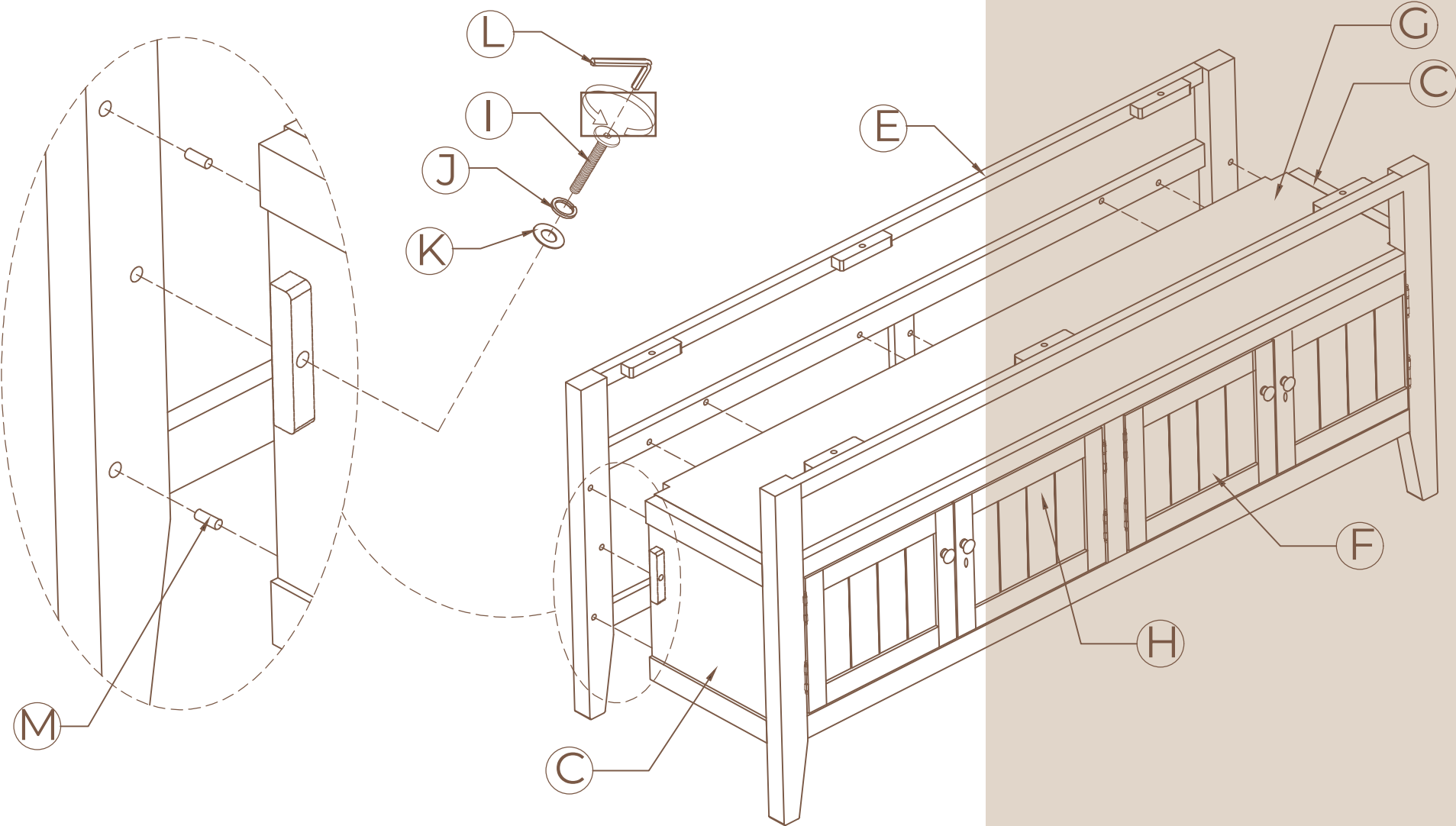
Insert the Shelf panel G to Side panels C, Frame B, and Divider panel H using Wood dowels M, Bolts I, Lock washers J, Flat washers K, and Allen key L. Do not fully tighten yet. Insert the Leg support O to Bottom panel F.



ASSEMBLY

STEP 5

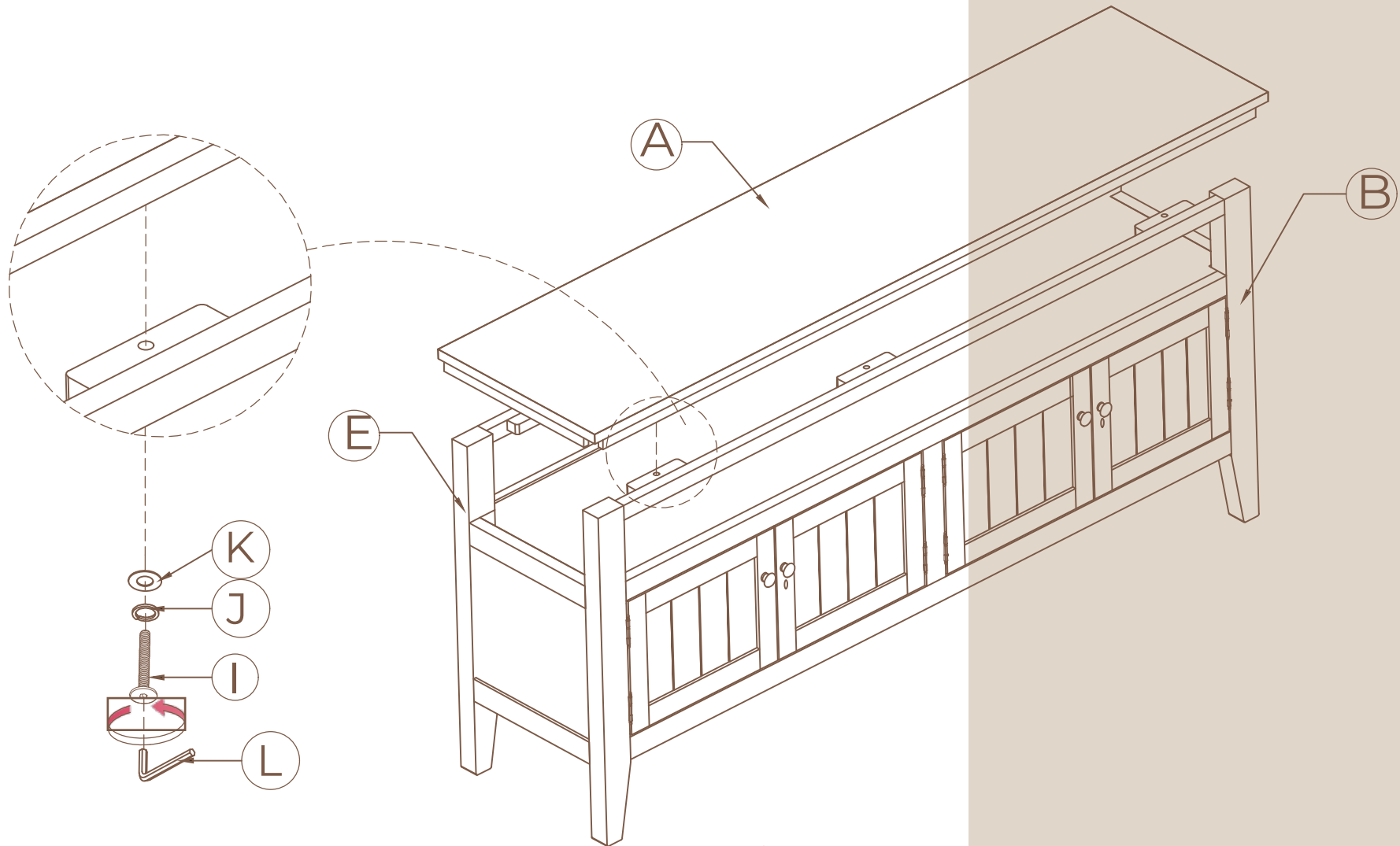
Insert the Back panel E to Side panels C, Divider panel H, Shelf panel G, and Bottom panel E using Wood dowels M, Bolts I, Lock washers J, Flat washers K, and Allen key L.
Do not fully tighten yet



ASSEMBLY

STEP 6

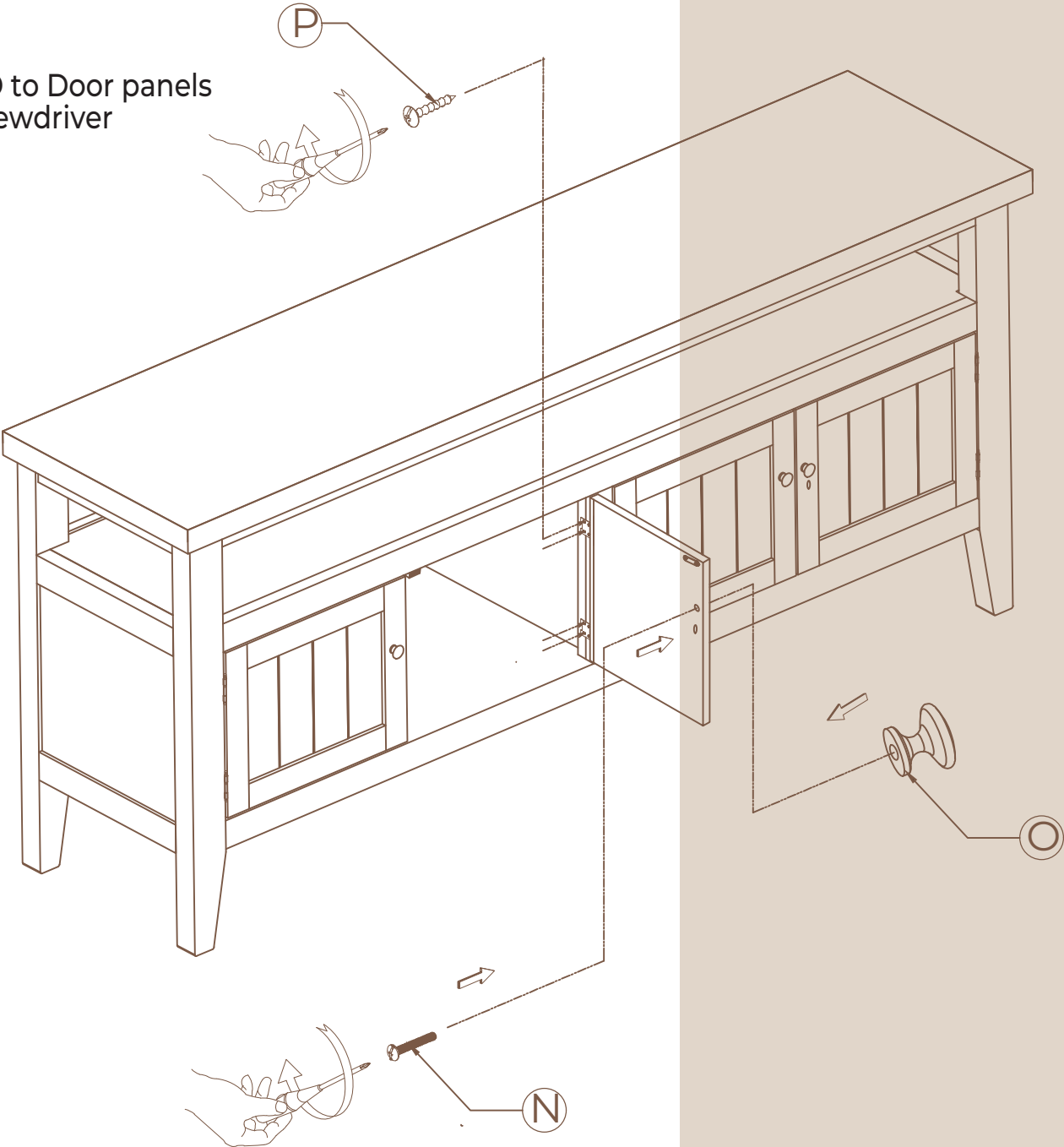
Insert the Top panel A to Frame B, and Back panel E using Bolts I, Lock washers J, Flat washers K, and Allenkey L. Fully tighten all Bolts I from Step 1, 2, 3, 4, 5 and 6



ASSEMBLY

STEP 7

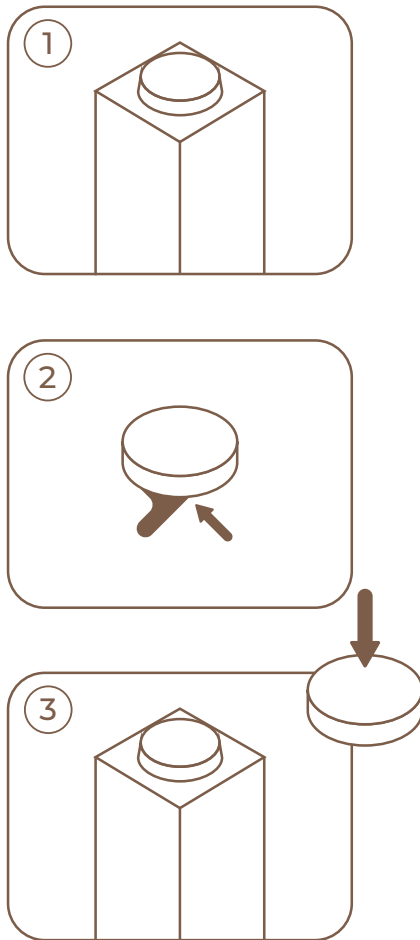
Assembly the Handles O to Door panels using Screws P, and Screwdriver



ASSEMBLY

STEP 8: Felt Pad Application(optional)

1. Wipe any dust from the surface for best adhesion
2. Gently peel the felt pad from the paper
3. Firmly apply a felt pad to each of the feet



ANTI-TIPPING INSTRUCTION

Put the cabinet on a flat, level surface. Install the leveling feet and anti-tipping kit

