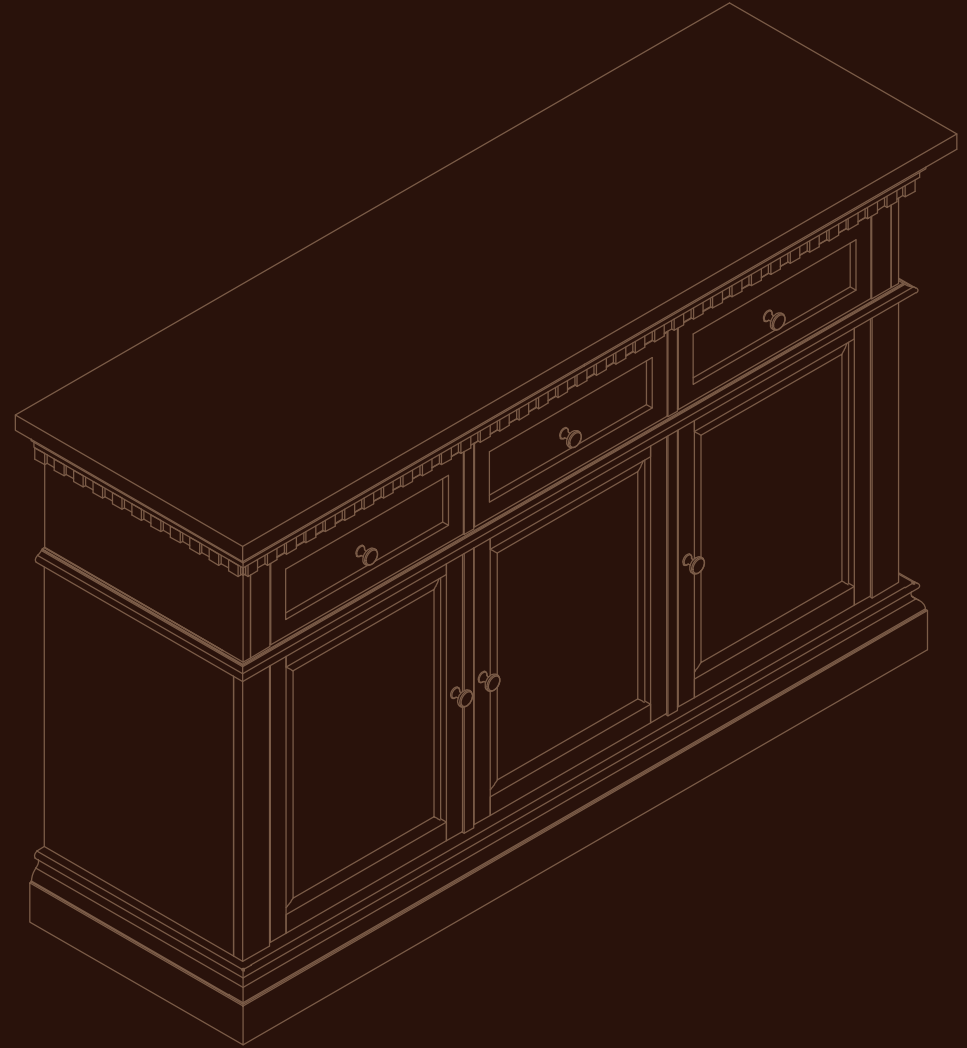


Classical

Theo

CABINET



MAVENLANE.COM

 @mavenlanehome

Classic Theo Cabinet



ABOUT US

As unique individuals, we all have our own ways of expressing ourselves. Through expression, we open doors to new opportunities and communicate to the world.

At Maven Lane, we understand the profound impact that home design can have on personal expression. Our homes serve as our nests, reflecting our individual styles, personalities, and values. They are the spaces where we create meaningful memories and moments of comfort and peace.

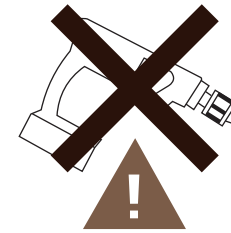
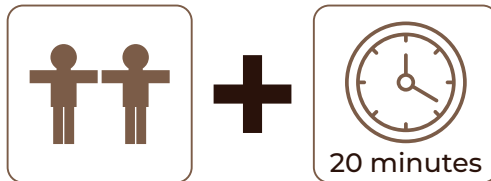
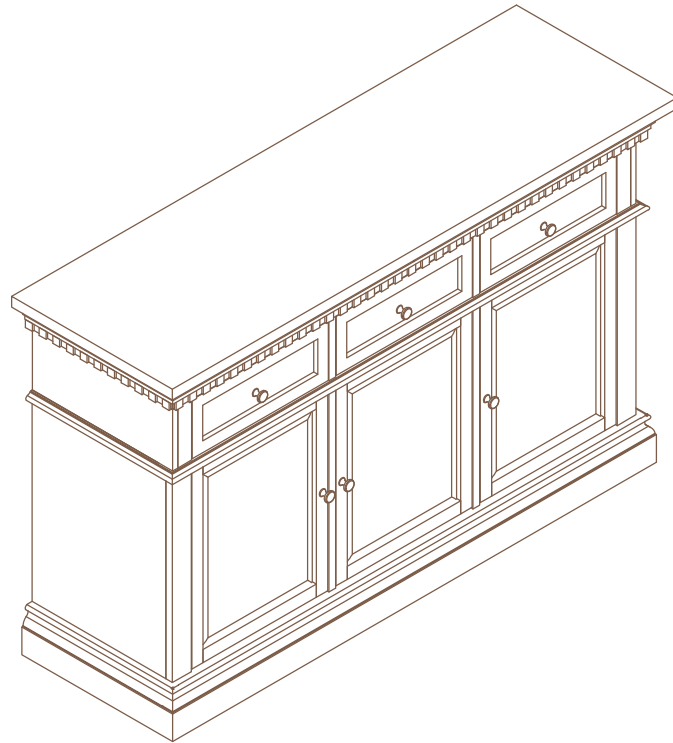
With this in mind, we set out to bring the finest in design, materials, and customer service directly to our customers, all at an attainable price point. Whether you're seeking to elevate your mornings with a cozy sanctuary or host laughter-filled dinners with loved ones, we are dedicated to helping you create a space that truly reflects who you are and what you aspire to be.

MAVENLANE.COM

 @mavenlanehome



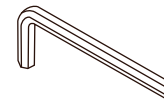
ASSEMBLY INSTRUCTIONS



The use of power tools to assemble this product could lead to damage, making it unsafe

Please assemble on a clean, level surface to avoid damage and ensure proper assembly

Tools Required

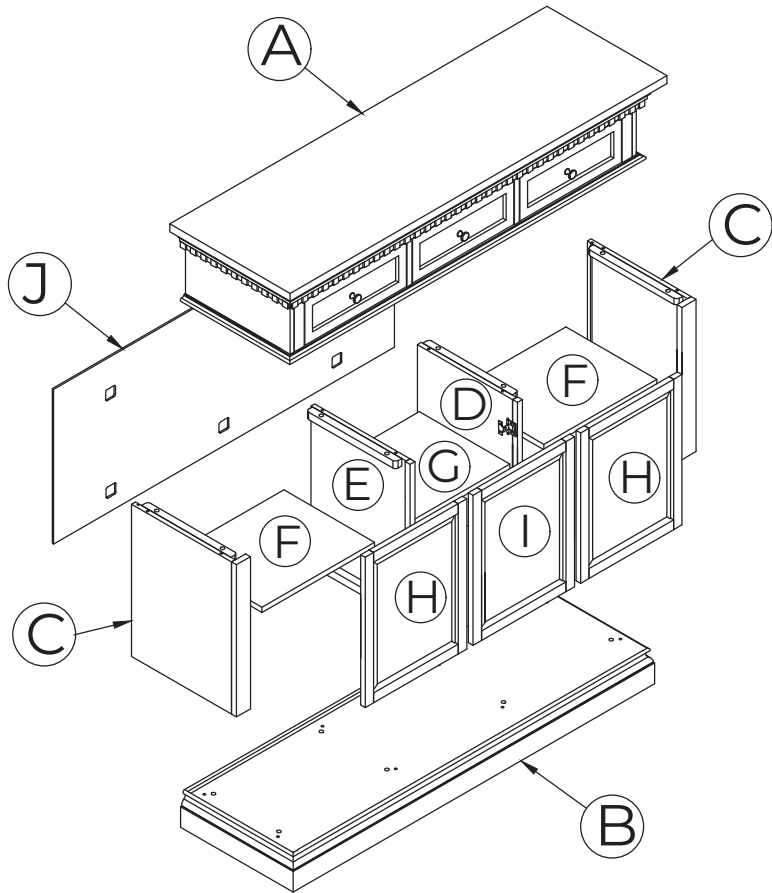


Allen wrench
(included)





Phillips Screwdriver
(unincluded)


PARTS LIST





K  Bolt
Qty 16 pcs - Ø1/4"x38mm

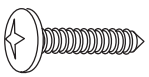
L  Lock Washer
Qty 16 pcs - Ø1/4"x11mm

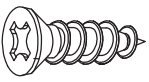
M  Flat Washer
Qty 16 pcs - Ø1/4"x19mm

N  Allen Wrench
Qty 1 pc - M4


O  Shelf Support
Qty 12 pcs - Ø6.2mm

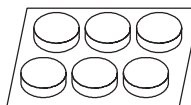
P  Wood Dowel
Qty 16 pcs - Ø8x30mm


Q  Parachute Head Screw
Qty 4 pcs - Ø3x19mm

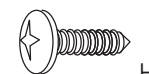
R  Flat Head Screw
Qty 24 pcs - Ø3.5x15mm

S  Handle
Qty 3 pcs - Ø35x23.8mm

T  Bolt Handle
Qty 3 pcs - Ø5/32"x25mm

U  Felt Pads
Qty 1pc - Ø20mm

V  Anti Tip Kit
Qty 1 pc

W  Parachute Head Screw
Qty 12 pcs - Ø3.5x12mm

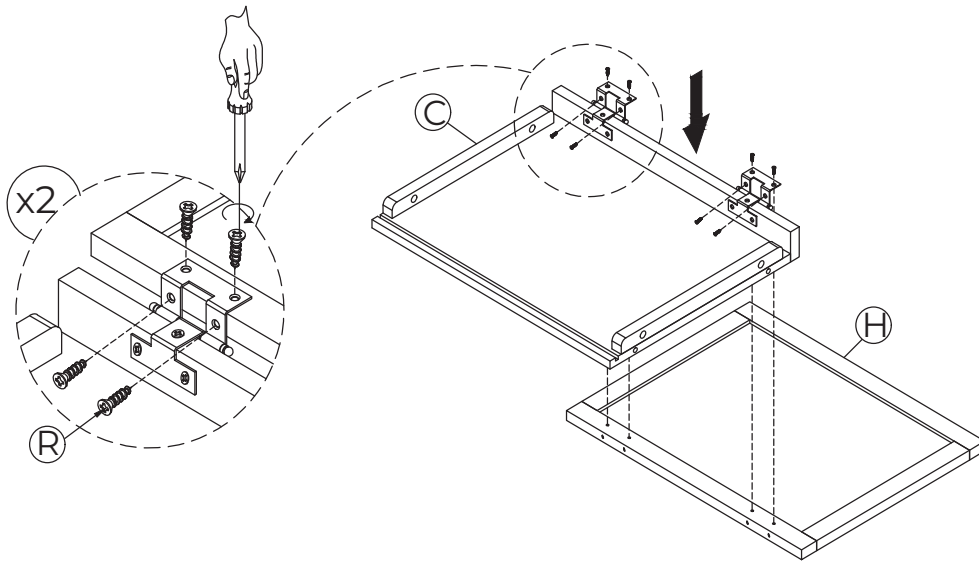
Scan for
additional
information



ASSEMBLY

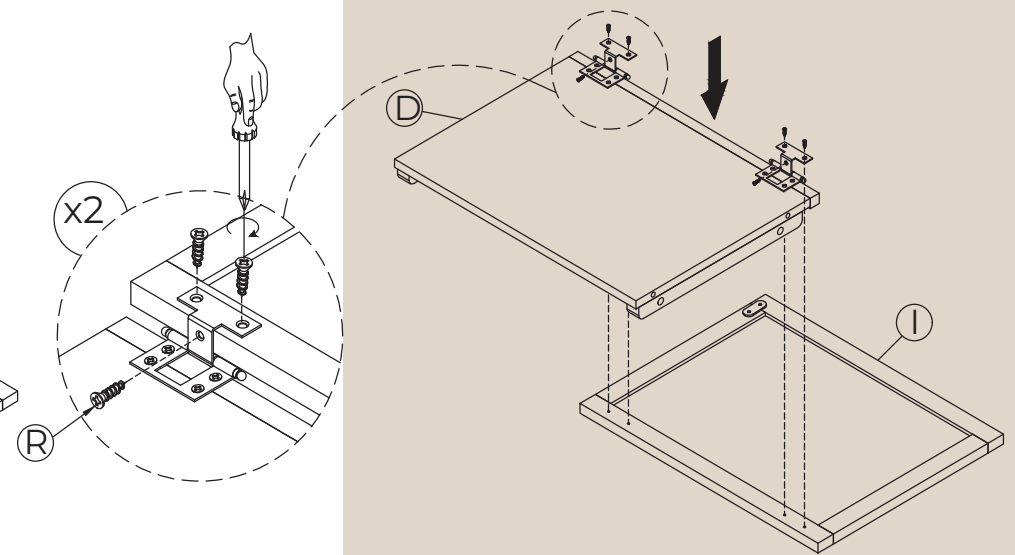
STEP 1 X2

Attach the Door (H) and Side Panel (C) through hinges with Screws (R).



STEP 2

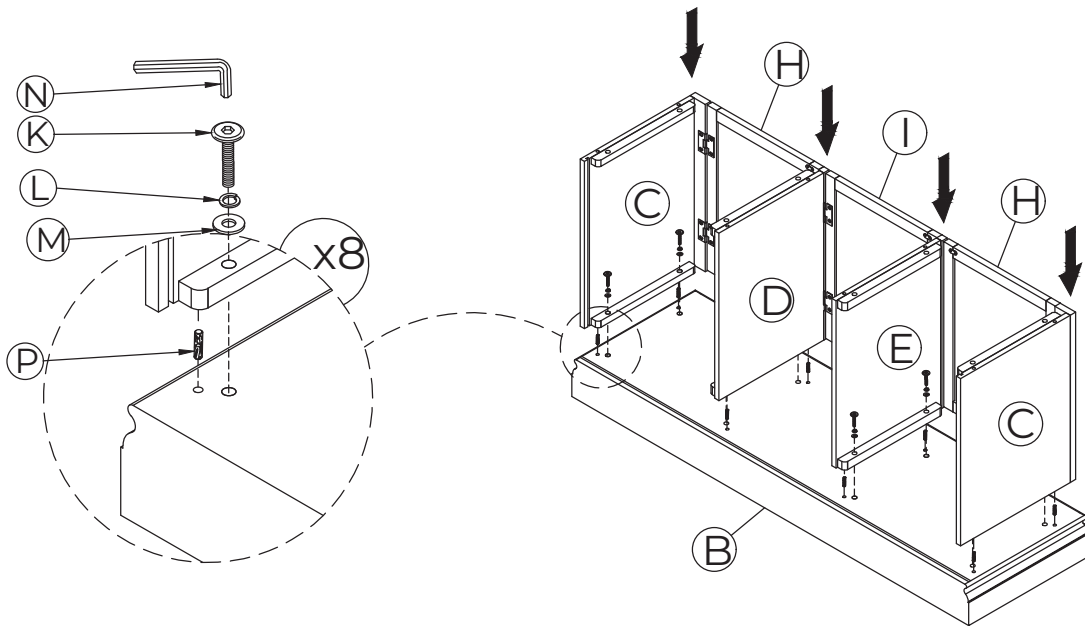
Attach the Door (I) and Center panel (D) through hinges with Screws (R).



ASSEMBLY

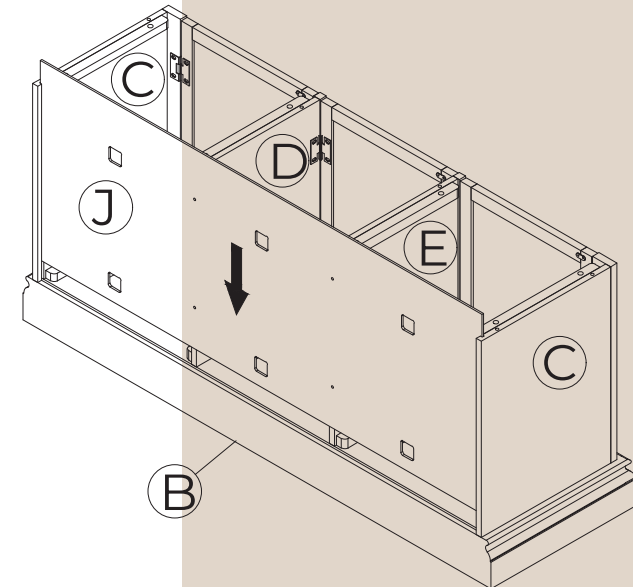
STEP 3

Attach the two Side Panels (C), three Doors (H&I) and two Center Panels (D&E) to Bottom Frame (B) with Wood Dowels (P) and Bolts (K), Lock Washers (L), Flat Washers (M) using Allen Wrench (N).



STEP 4

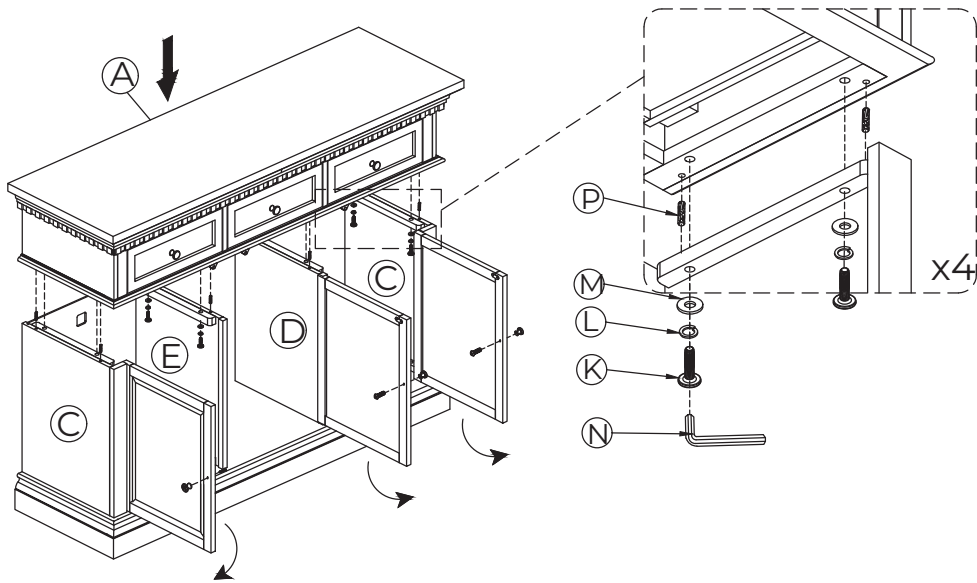
Drop the Back Panel (J) into the groove in Side Panels (C) and Bottom Frame (B).



ASSEMBLY

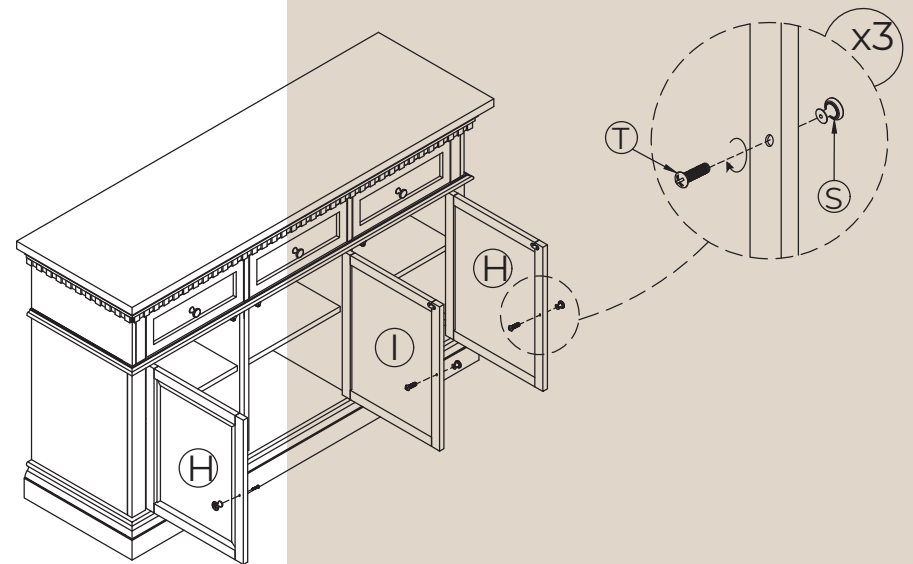
STEP 5

Attach the Top Frame (A) to two Side Panels (C) and two Center Panels (D&E) with Wood Dowels (P) and Bolts (K), Lock Washers (L), Flat Washers (M) using Allen Wrench (N).



STEP 6

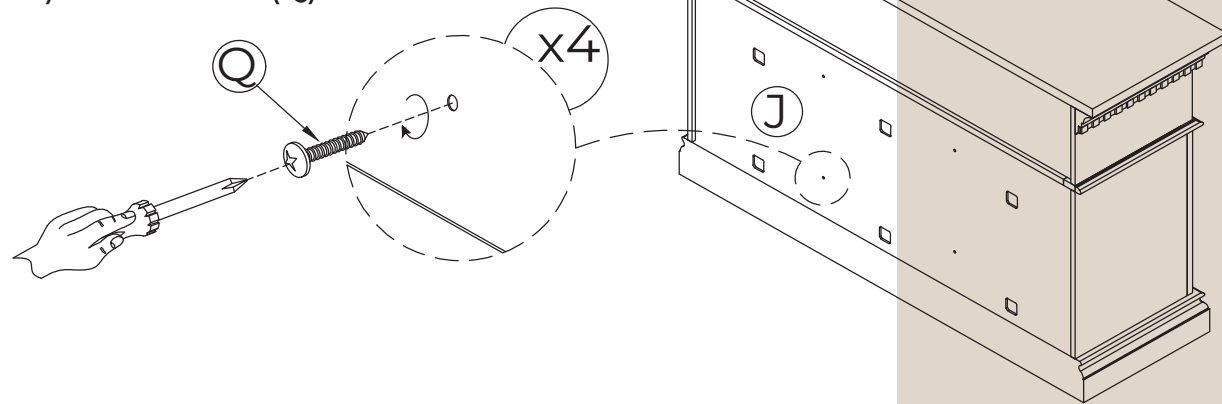
Connect the Handles (S) to the Doors (H&I) by Bolts (T).



ASSEMBLY

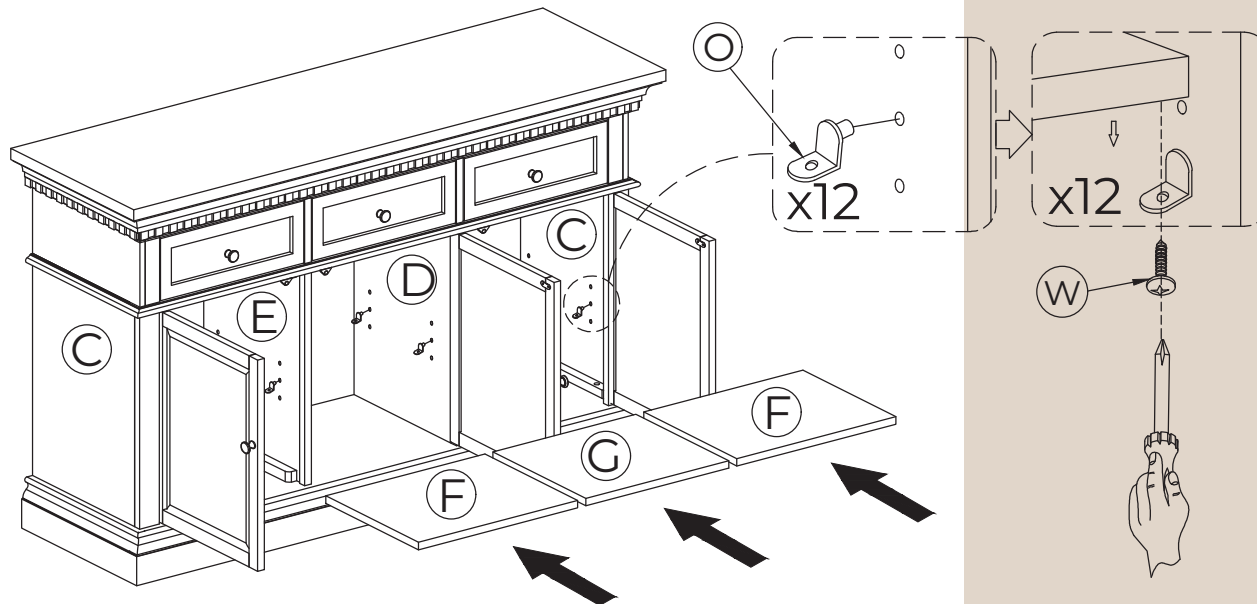
STEP 7

Connect Back Panel (J) to the two Center Panels (D&E) with Screws (Q).



STEP 8

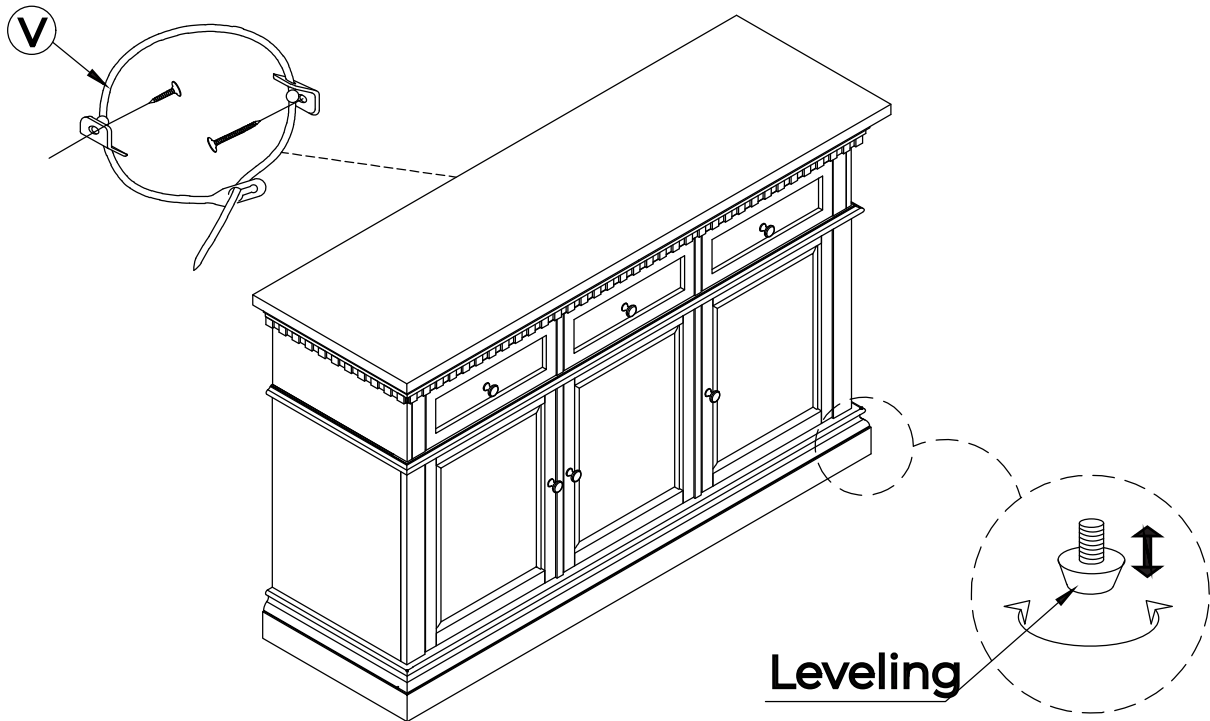
Attach the Plank Support dowels (O) to the Corresponding holes in the two Side Panels (C) and two Center Panels (D&E), then put two Side Shelf panels (F) and Center Shelf Panel (G) on the pre-positioned dowels. Then connect them with Screws (W).



ASSEMBLY

STEP 9

Use the Anti Tip Kit (V) to connect the cabinet to a wall. This is to prevent the unit from tipping and enhance your safety.



STEP 10: Felt Pad Application (optional)

1. Wipe any dust from the surface for best adhesion
2. Gently peel the felt pad from the paper
3. Firmly apply a felt pad to each of the feet

