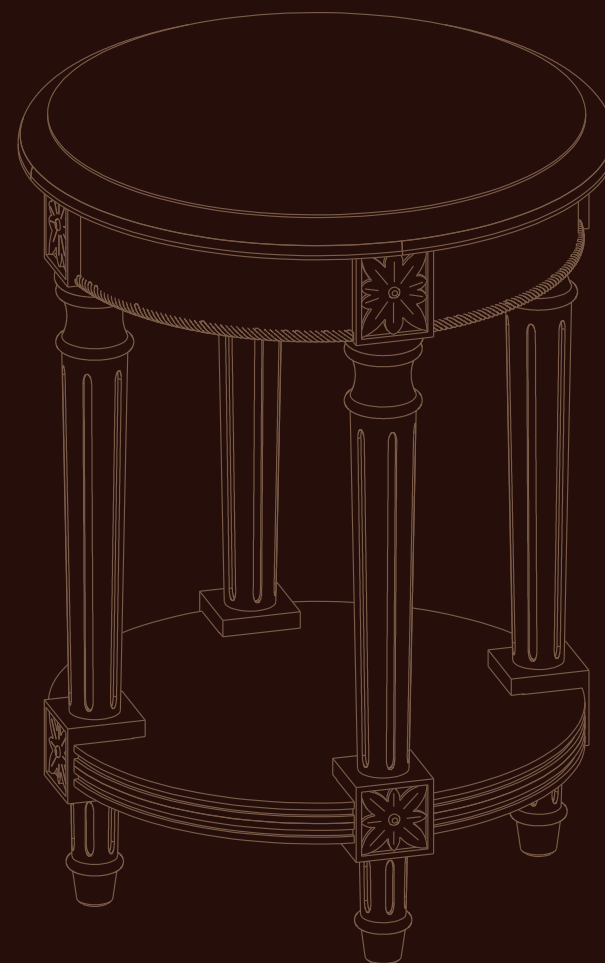


Pullman

SIDE TABLE ROUND

MFL



MAVENLANE.COM
@mavenlanehome

Pullman Side Table Round



MAVEN LANE

ABOUT US

As unique individuals, we all have our own ways of expressing ourselves. Through expression, we open doors to new opportunities and communicate to the world.

At Maven Lane, we understand the profound impact that home design can have on personal expression. Our homes serve as our nests, reflecting our individual styles, personalities, and values. They are the spaces where we create meaningful memories and moments of comfort and peace.

With this in mind, we set out to bring the finest in design, materials, and customer service directly to our customers, all at an attainable price point. Whether you're seeking to elevate your mornings with a cozy sanctuary or host laughter-filled dinners with loved ones, we are dedicated to helping you create a space that truly reflects who you are and what you aspire to be.

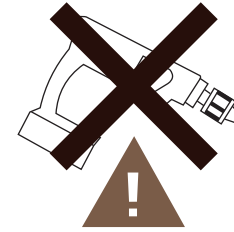
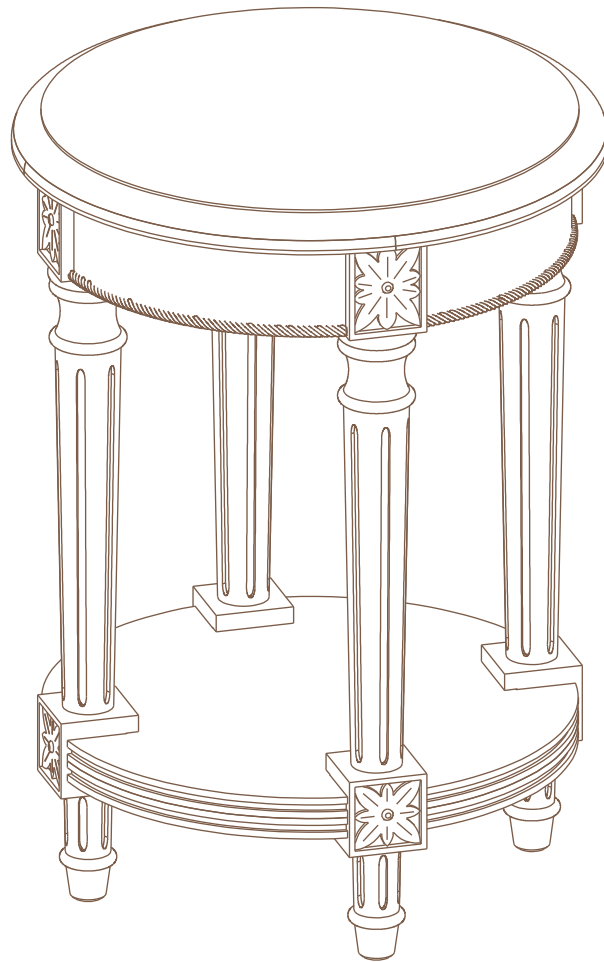
MAVENLANE.COM

 @mavenlanehome



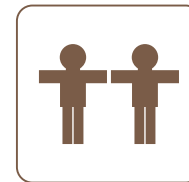
PULLMAN SIDE TABLE ROUND

ASSEMBLY INSTRUCTIONS

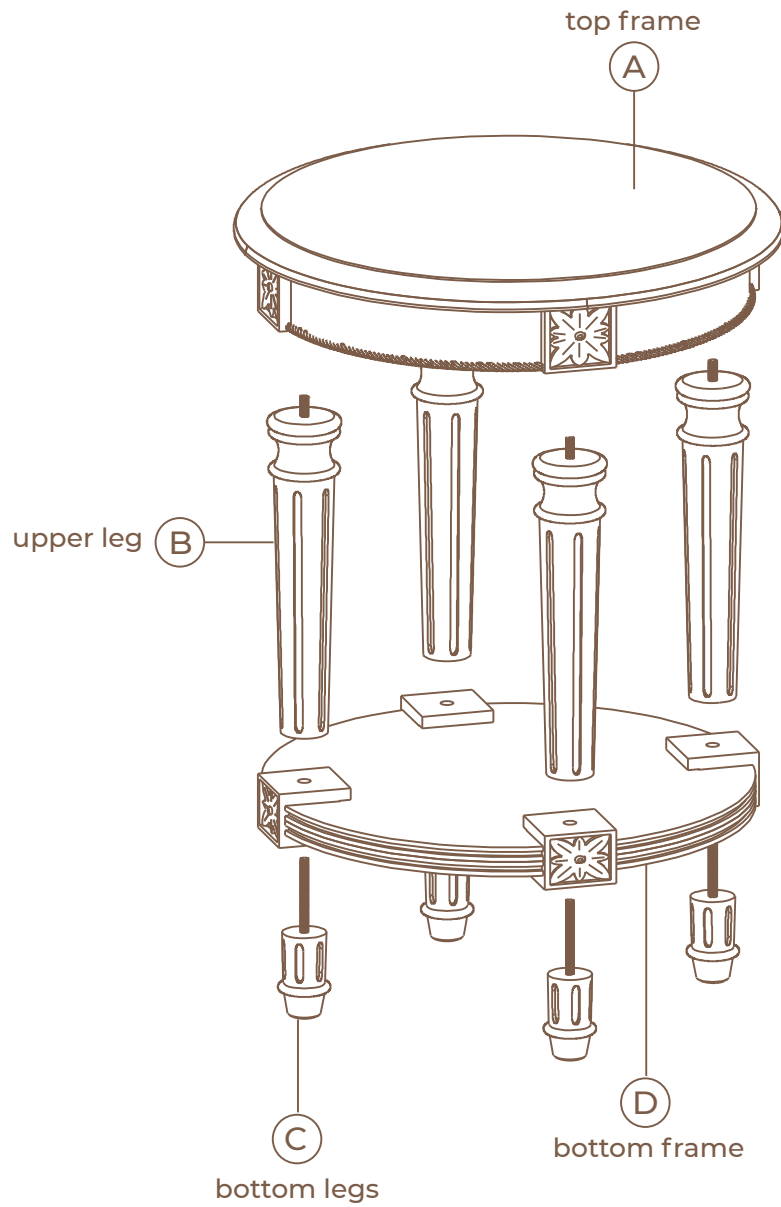



The use of power tools to assemble this product could lead to damage, making it unsafe

Please assemble on a clean, level surface to avoid damage and ensure proper assembly





PARTS LIST

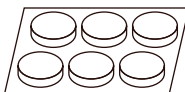


A  Qty 1
Top Frame

B  Qty 4
Upper Legs

C  Qty 4
Bottom Legs

D  Qty 1
Bottom Frame


Felt Pads

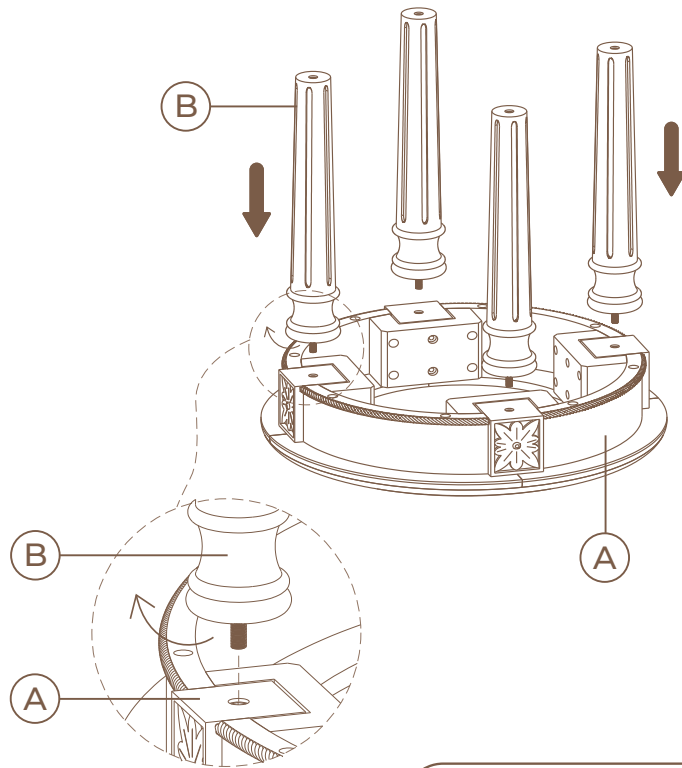
Scan for video instructions



ASSEMBLY

STEP 1

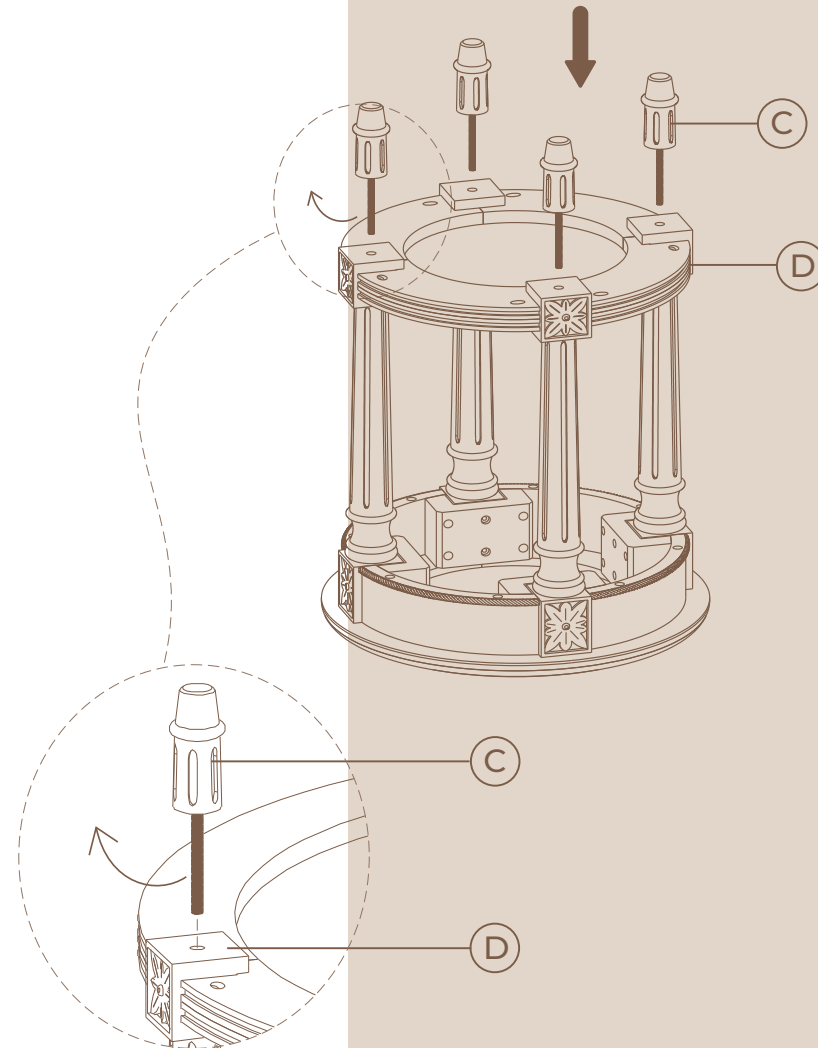
Screw the upper legs (B) into the bottom of the top frame (A).



note:
Do not tighten all
bolts until the full
assembly.

STEP 2

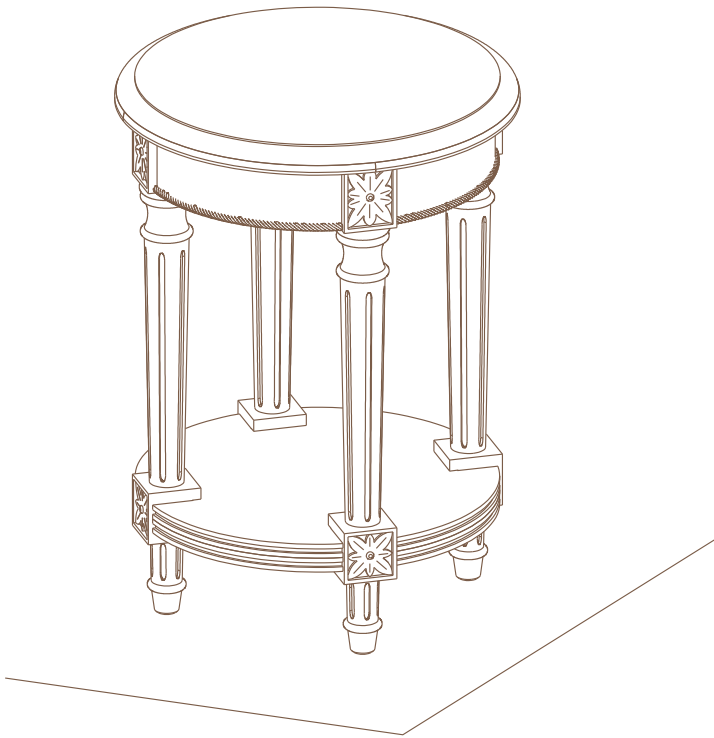
Place shelf (D) on top, and screw the under legs (C) through the shelf and into the upper legs (B).



ASSEMBLY

STEP 3

Turn Table over on flat surface, align all 4 legs and tighten the bolts.



STEP 4: Felt Pad Application (optional)

1. Wipe any dust from the surface for best adhesion
2. Gently peel the felt pad from the paper
3. Firmly apply a felt pad to each of the feet

