



MFL



MAVENLANE.COM

Pullman Stool



ABOUT US

As unique individuals, we all have our own ways of expressing ourselves. Through expression, we open doors to new opportunities and communicate to the world.

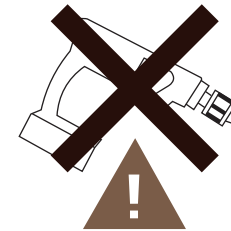
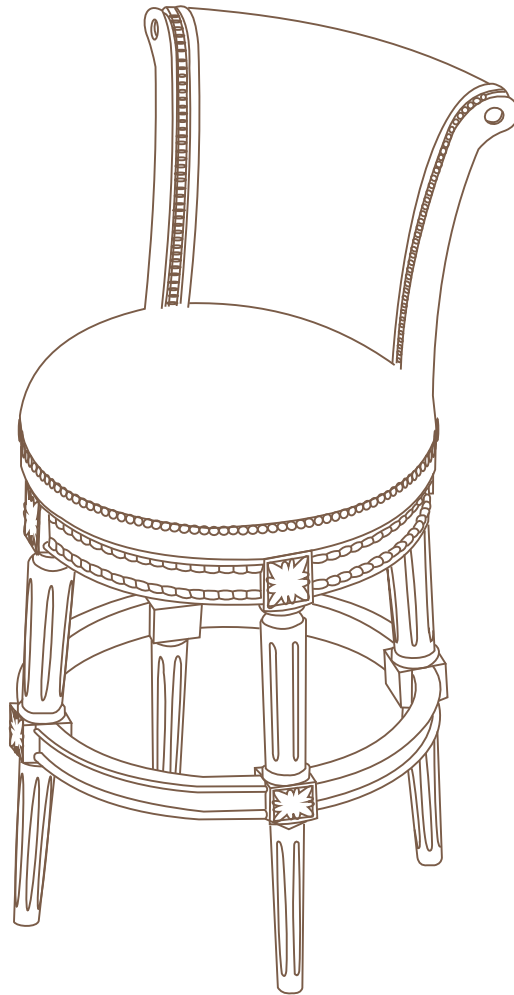
At Maven Lane, we understand the profound impact that home design can have on personal expression. Our homes serve as our nests, reflecting our individual styles, personalities, and values. They are the spaces where we create meaningful memories and moments of comfort and peace.

With this in mind, we set out to bring the finest in design, materials, and customer service directly to our customers, all at an attainable price point. Whether you're seeking to elevate your mornings with a cozy sanctuary or host laughter-filled dinners with loved ones, we are dedicated to helping you create a space that truly reflects who you are and what you aspire to be.



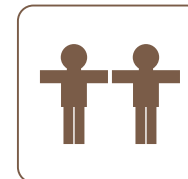
PULLMAN STOOL (COUNTER & BAR HEIGHT)

ASSEMBLY INSTRUCTIONS

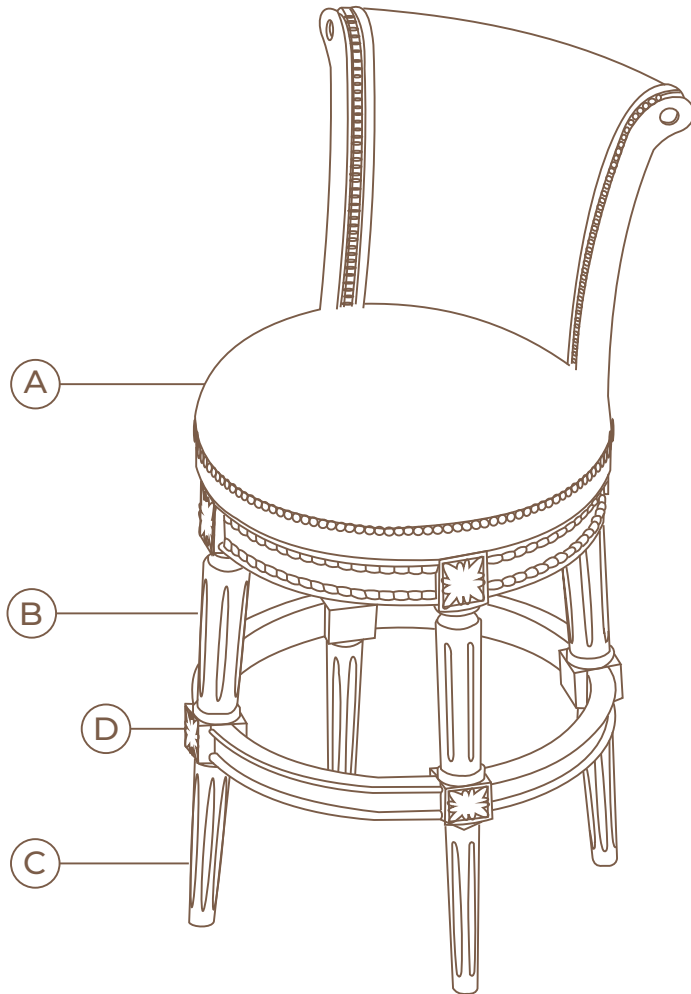


The use of power tools to assemble this product could lead to damage, making it unsafe

Please assemble on a clean, level surface to avoid damage and ensure proper assembly



PARTS LIST



A



Qty 1

Stool Back with Seat

D



Qty 4

Under Leg

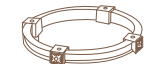
B



Qty 4

Upper Leg

E



Qty 1

Stretcher

Scan for video instructions

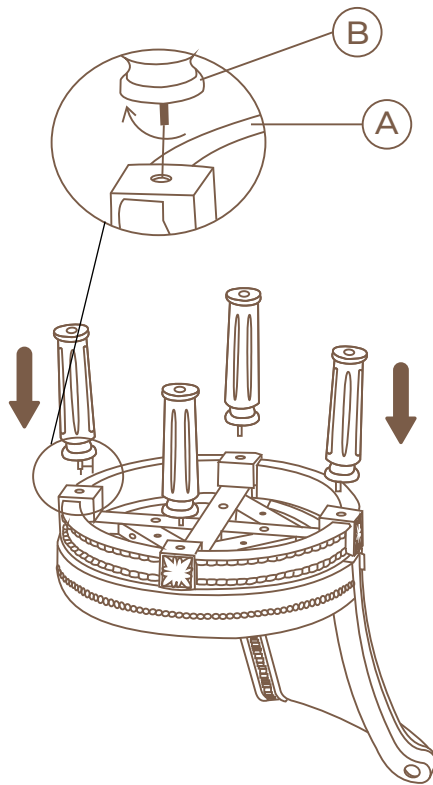


ASSEMBLY

STEP 1

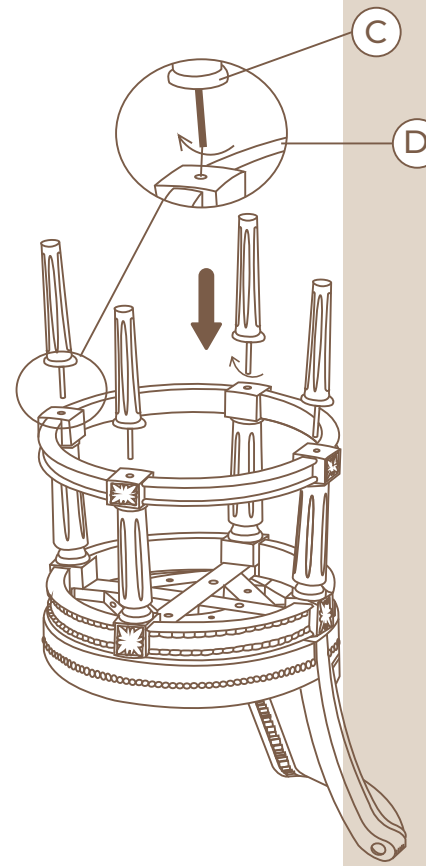
Screw the upper legs (B) into the bottom of the seat (A).

Note : Do not tighten all bolts until the fully assembly.



STEP 2

Place stretcher (D) on top, and screw the under legs (C) through the stretcher and into the upper legs (B).



*note:
please ensure that
the metal foot rest
on your stretcher is
facing forward and
toward the seat.*

ASSEMBLY

STEP 3

Tighten all bolts into place.
If the unit is placed on an unlevel surface,
adjust leveler under foot until the unit is level.

