

Contemporary  
**Mila**  
ROUND TABLE



## ABOUT US

As unique individuals, we all have our own ways of expressing ourselves. Through expression, we open doors to new opportunities and communicate to the world.

At Maven Lane, we understand the profound impact that home design can have on personal expression. Our homes serve as our nests, reflecting our individual styles, personalities, and values. They are the spaces where we create meaningful memories and moments of comfort and peace.

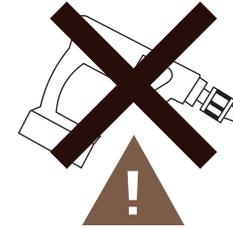
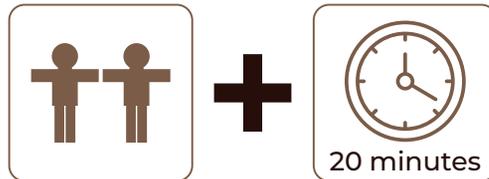
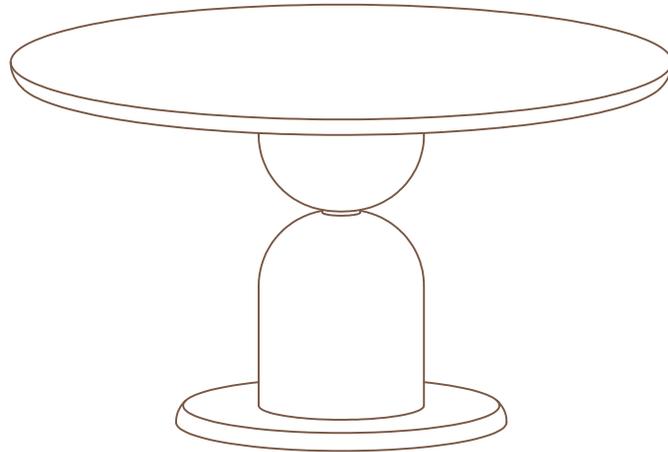
With this in mind, we set out to bring the finest in design, materials, and customer service directly to our customers, all at an attainable price point. Whether you're seeking to elevate your mornings with a cozy sanctuary or host laughter-filled dinners with loved ones, we are dedicated to helping you create a space that truly reflects who you are and what you aspire to be.

MAVENLANE.COM

 @mavenlanehome



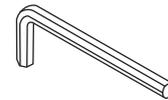
# ASSEMBLY INSTRUCTIONS



The use of power tools to assemble this product could lead to damage, making it unsafe

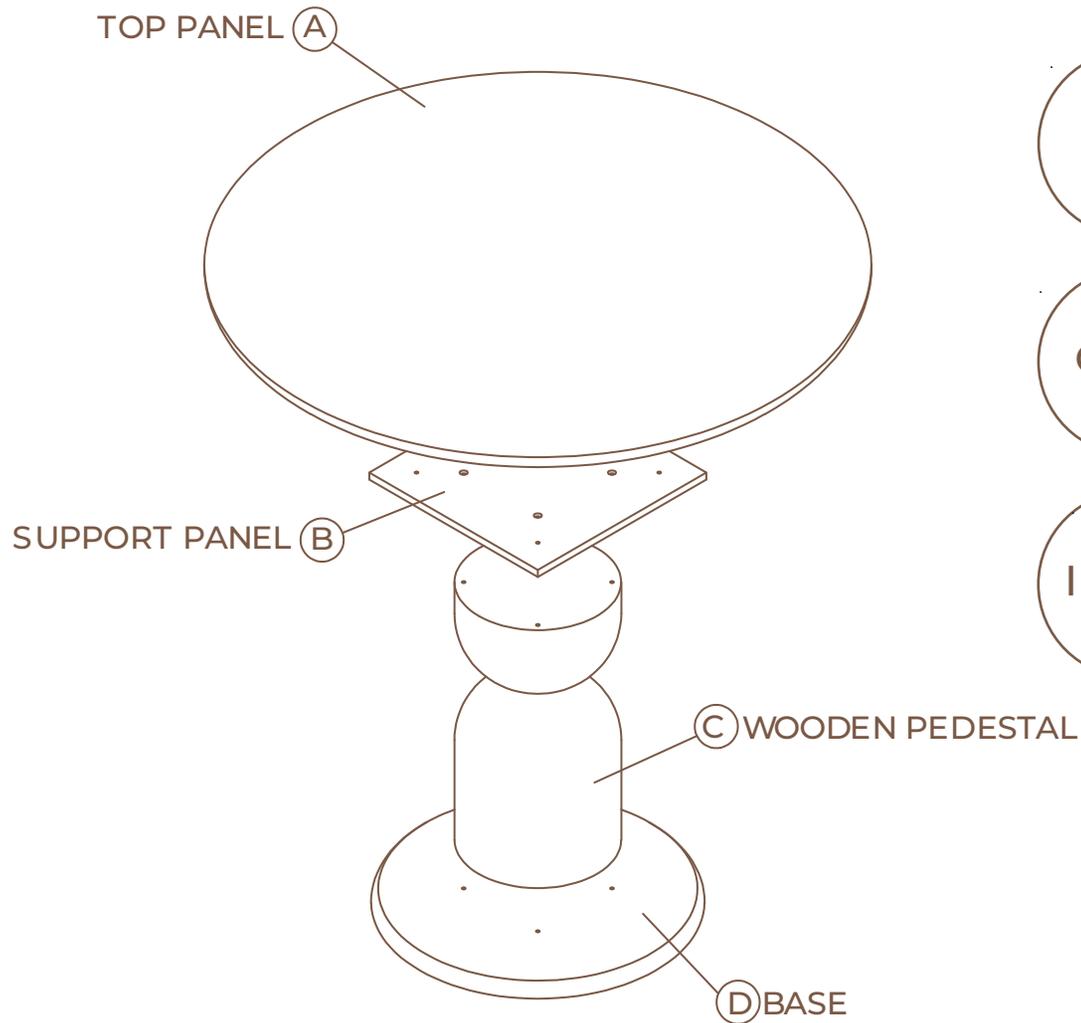
Please assemble on a clean, level surface to avoid damage and ensure proper assembly

## Tools Required



Allen wrench  
(included)

# PARTS LIST



**E**



Qty 12

Ø1 /4"x35 mm Bolt

**F**



Qty 12

Lock Washer

Ø1 /4"x11mm

**G**



Qty 12

Flat washer

Ø1 /4"x16 mm

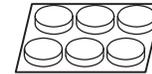
**H**



Qty 1

Allen Wrench

**I**



Qty 1

Felt Pads

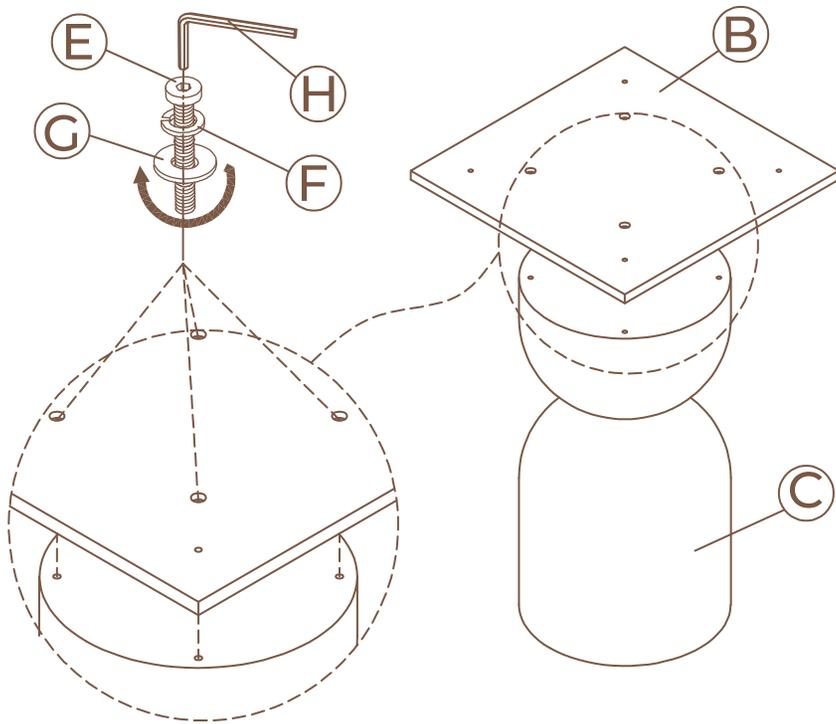
Scan for  
additional  
information



# ASSEMBLY

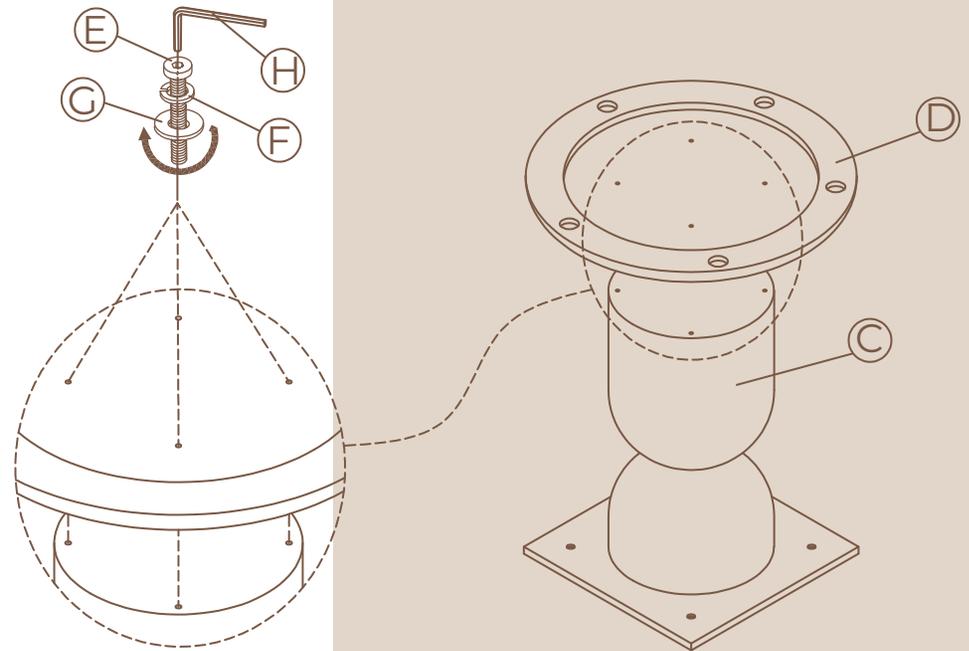
## STEP 1

Insert support panel B into the wooden pedestal C with bolts E, lock washers F and flat washers G using allen key H. Fully tighten bolt E.



## STEP 2

Insert base D into the wooden pedestal C with bolts E, lock washers F and flat washer G using Allen key H. Fully tighten bolt E.

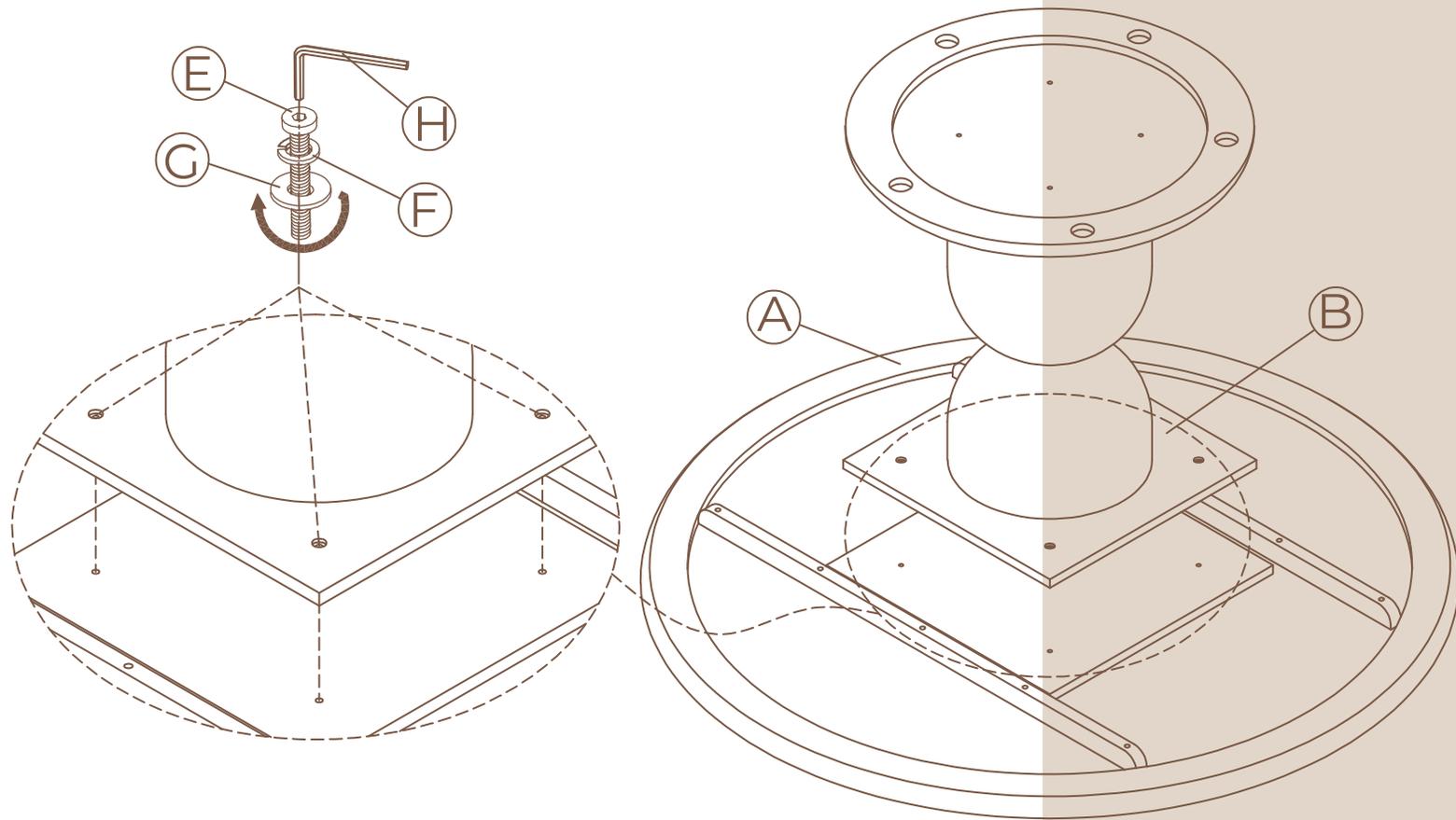


# ASSEMBLY

---

## STEP 3

Insert top support panel B into the top panel A with bolts E, lock washers F and flat washers G using Allen key H. Fully tighten bolt E.



# ASSEMBLY

---

## STEP 4: Felt Pad Application (optional)

1. Wipe any dust from the surface for best adhesion
2. Gently peel the felt pad from the paper
3. Firmly apply a felt pad to each of the feet

