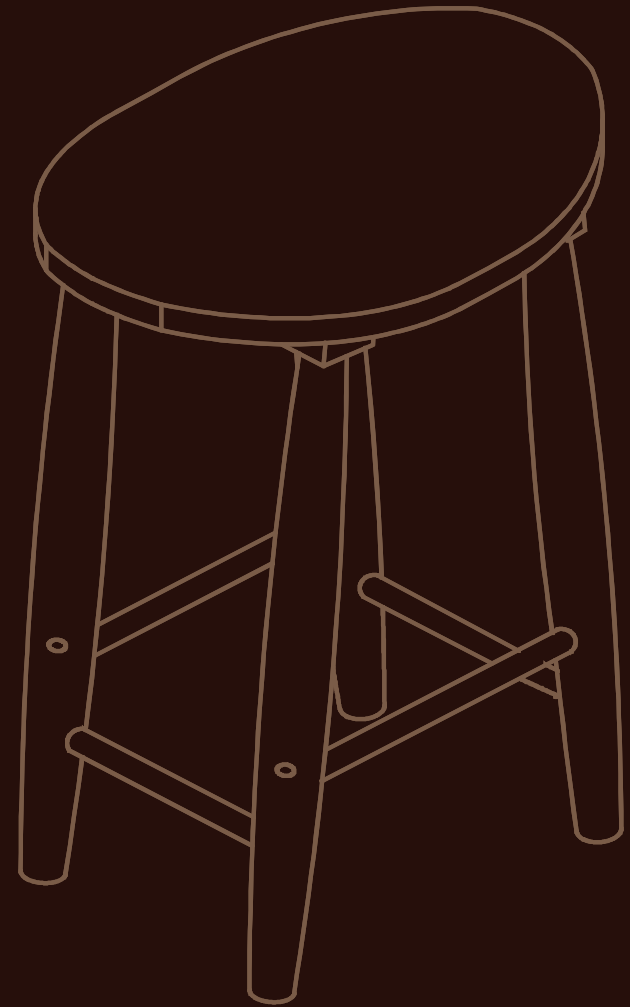


Luna Stool

COUNTER & BAR HEIGHT



MAVENLANE.COM
 @mavenlanehome

Luna Stool (Counter And Bar Height)



MAVEN LANE

ABOUT US

As unique individuals, we all have our own ways of expressing ourselves. Through expression, we open doors to new opportunities and communicate to the world.

At Maven Lane, we understand the profound impact that home design can have on personal expression. Our homes serve as our nests, reflecting our individual styles, personalities, and values. They are the spaces where we create meaningful memories and moments of comfort and peace.

With this in mind, we set out to bring the finest in design, materials, and customer service directly to our customers, all at an attainable price point. Whether you're seeking to elevate your mornings with a cozy sanctuary or host laughter-filled dinners with loved ones, we are dedicated to helping you create a space that truly reflects who you are and what you aspire to be.

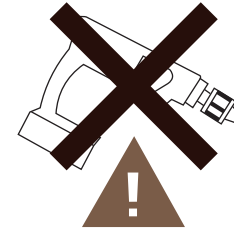
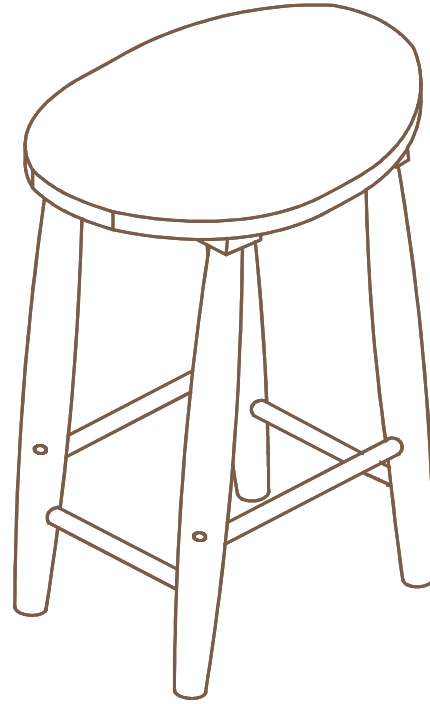
MAVENLANE.COM

 @mavenlanehome



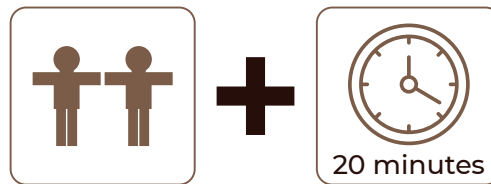
LUNA STOOL (COUNTER AND BAR HEIGHT)

ASSEMBLY INSTRUCTIONS

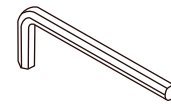


The use of power tools to assemble this product could lead to damage, making it unsafe

Please assemble on a clean, level surface to avoid damage and ensure proper assembly



Tools Required

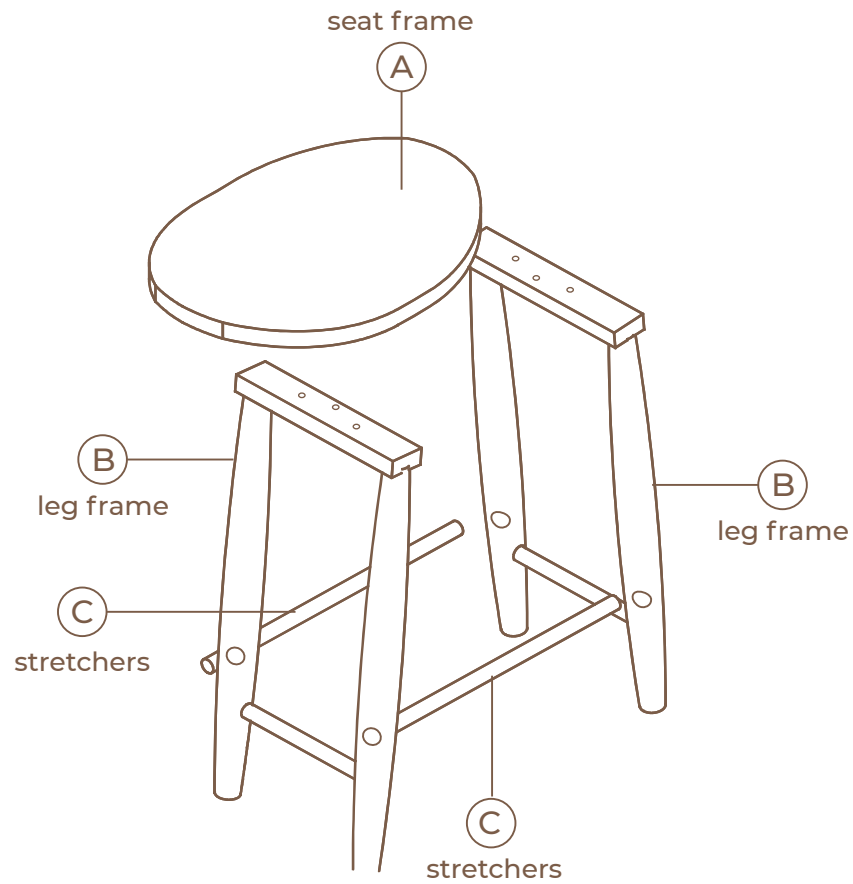




Allen Wrench
(included)





Phillips Screwdriver
(NOT included)


PARTS LIST

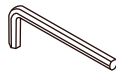


E   Qty 4
1/4\"x50mm Bolt

F   Qty 6
1/4\"x30mm Bolt

G  Qty 10
09x1.5mm

H  Qty 10
016x1.5MM

I  Qty 10
Allen Wrench


Felt Pads

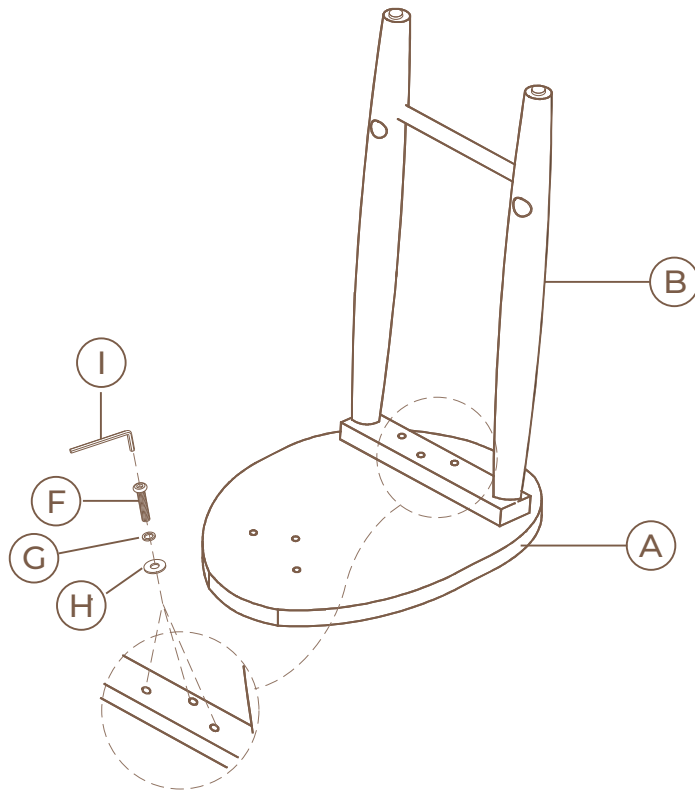
Scan for video instructions



ASSEMBLY

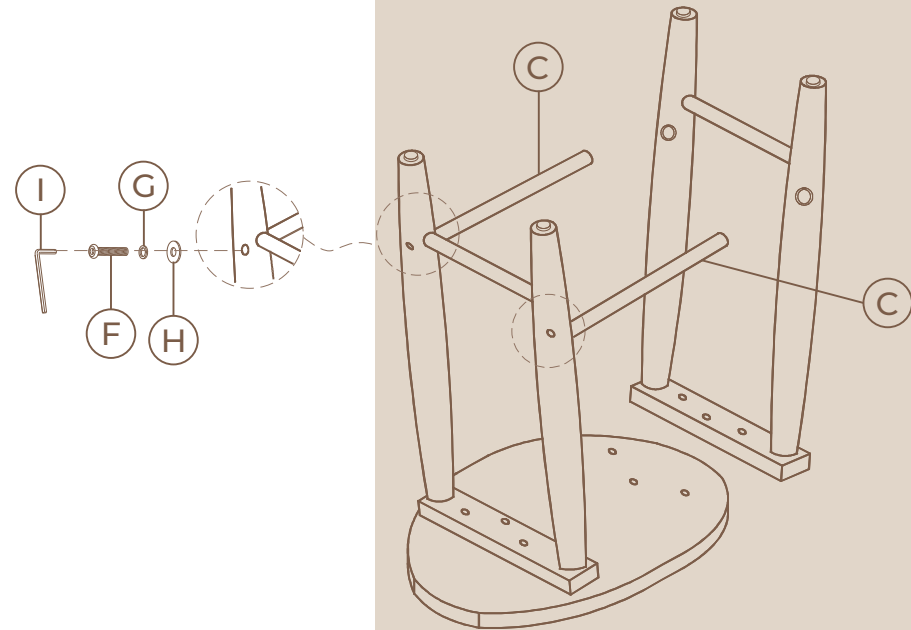
STEP 1

Loosely attach first leg frame B to seat frame A. Attach legs with bolts F, lock washers G, and flat washers H using Allen wrench J. Do not fully tighten yet. Note three bolts per leg.



STEP 2

Insert stretchers C into the joint holes. Note position of pocket holes. When properly inserted and stool is turned upright, pocket holes face other side. Secure each stretcher with bolts E, lock washers G, and flat washers H using Allen wrench J through the pocket holes into the legs.

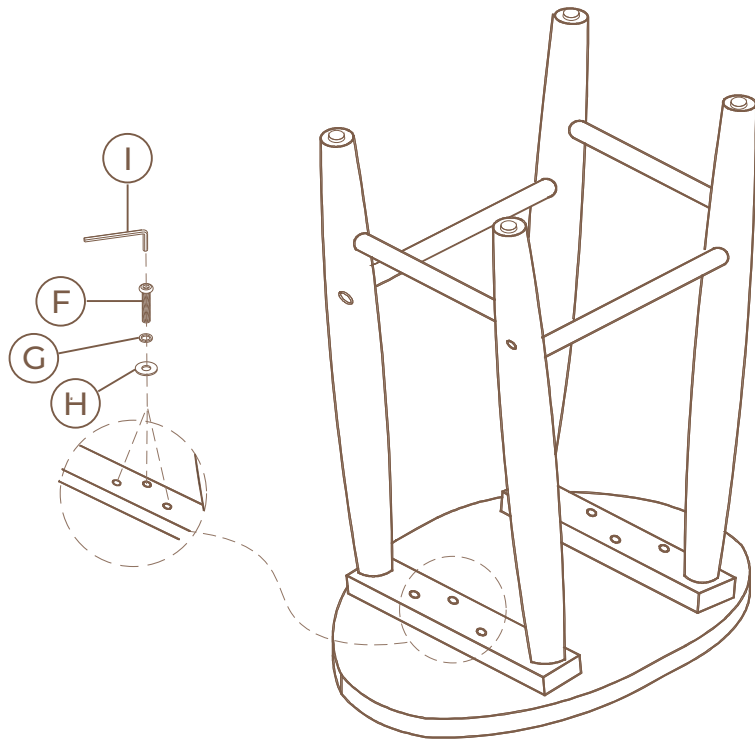


ASSEMBLY

STEP 3

Loosely attach second leg frame B to seat frame A and insert stretchers C into the joint holes. Attach legs and flat washers H using Allen wrench J.

Fully tighten all bolts and screws.



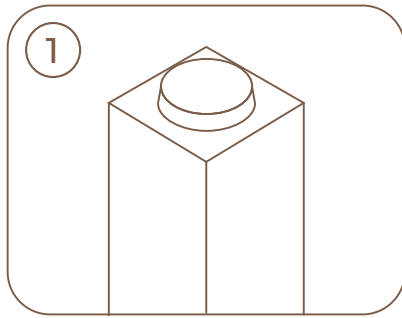
STEP 4

If the unit is placed on an unlevel surface, adjust leveler under foot until the unit is level.

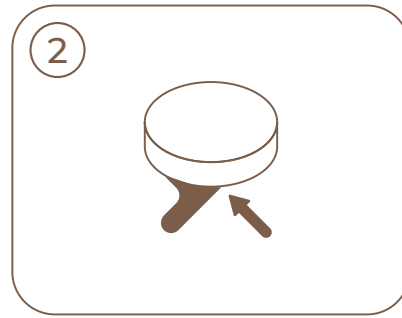


ASSEMBLY

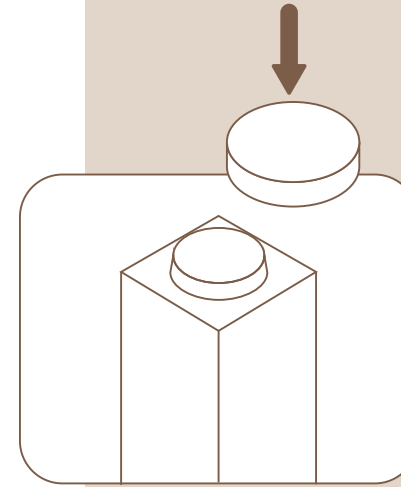
STEP 5: Felt Pad Application (optional)



Wipe any dust from the surface for best adhesion



Gently peel the felt pad from the paper



Firmly apply a felt pad to each of the feet