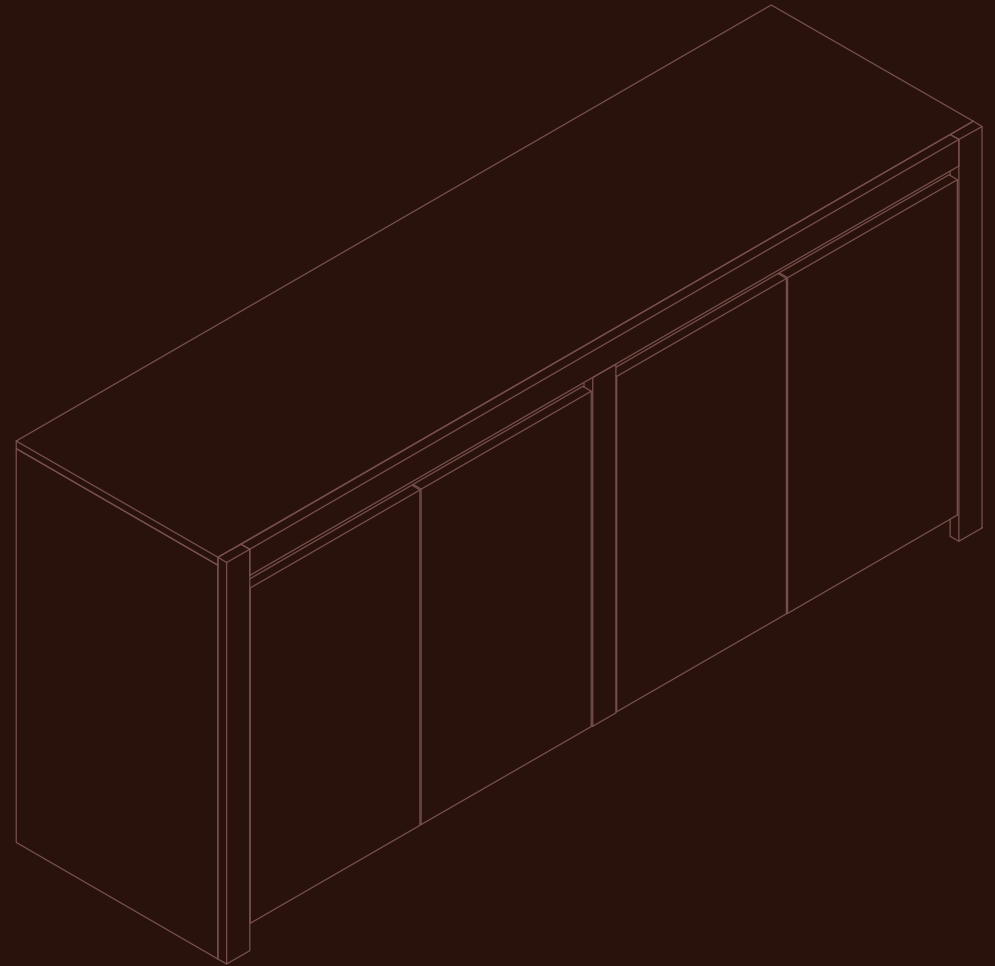


Contemporary

iris

CABINET

MFL



MAVENLANE.COM

 @mavenlanehome

Contemporary Iris Cabinet



ABOUT US

As unique individuals, we all have our own ways of expressing ourselves. Through expression, we open doors to new opportunities and communicate to the world.

At Maven Lane, we understand the profound impact that home design can have on personal expression. Our homes serve as our nests, reflecting our individual styles, personalities, and values. They are the spaces where we create meaningful memories and moments of comfort and peace.

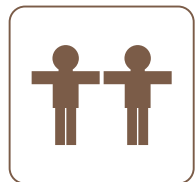
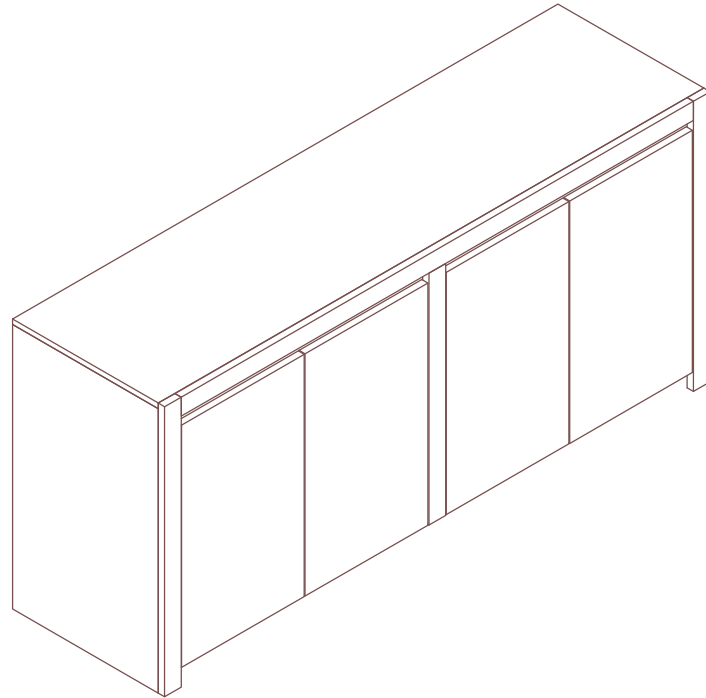
With this in mind, we set out to bring the finest in design, materials, and customer service directly to our customers, all at an attainable price point. Whether you're seeking to elevate your mornings with a cozy sanctuary or host laughter-filled dinners with loved ones, we are dedicated to helping you create a space that truly reflects who you are and what you aspire to be.

MAVENLANE.COM

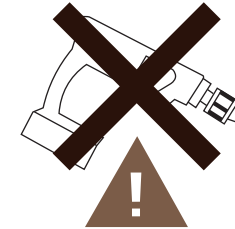
 @mavenlanehome



ASSEMBLY INSTRUCTIONS



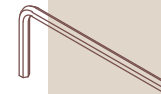
20 minutes



The use of power tools to assemble this product could lead to damage, making it unsafe

Please assemble on a clean, level surface to avoid damage and ensure proper assembly

Tools Required

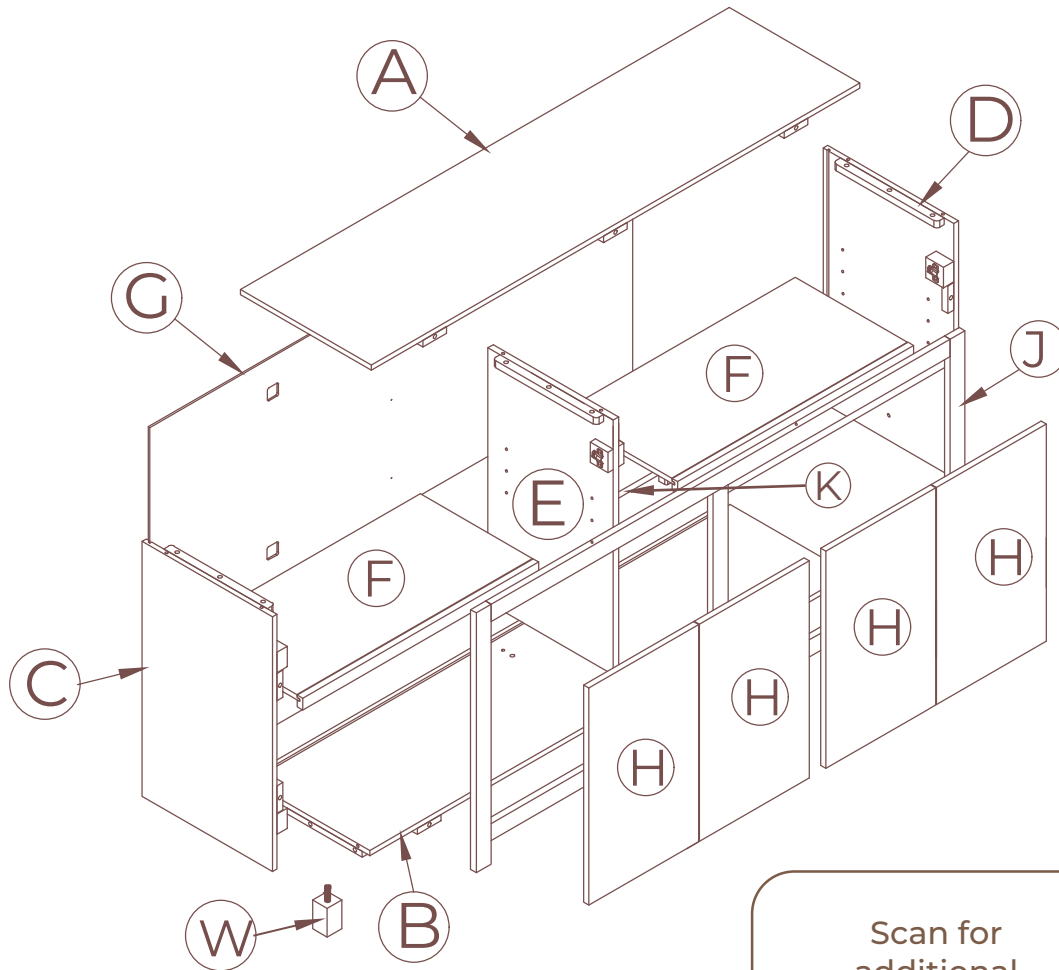


Allen wrench
(included)



Phillips Screwdriver
(unincluded)

PARTS LIST



Scan for additional information



L Bolt
Qty 33 Ø1/4"x32mm

M Lock Washer
Qty 33 pcs - Ø1/4"x11mm

N Flat Washer
Qty 33 pcs - Ø1/4"x19mm

O Allen Wrench
Qty 1 pc - M4

P Shelf Support
Qty 8 pcs - Ø6.2mm

Q Wood Dowel
Qty 16 pcs - Ø8x30mm

R Parachute Head Screw
Qty 3 pcs - Ø3x19mm

S Flat Head Screw
Qty 16 pcs - Ø3.5x15mm

T Felt Pads
Qty 1pc - Ø20mm

U Anti Tip Kit
Qty 1 pc

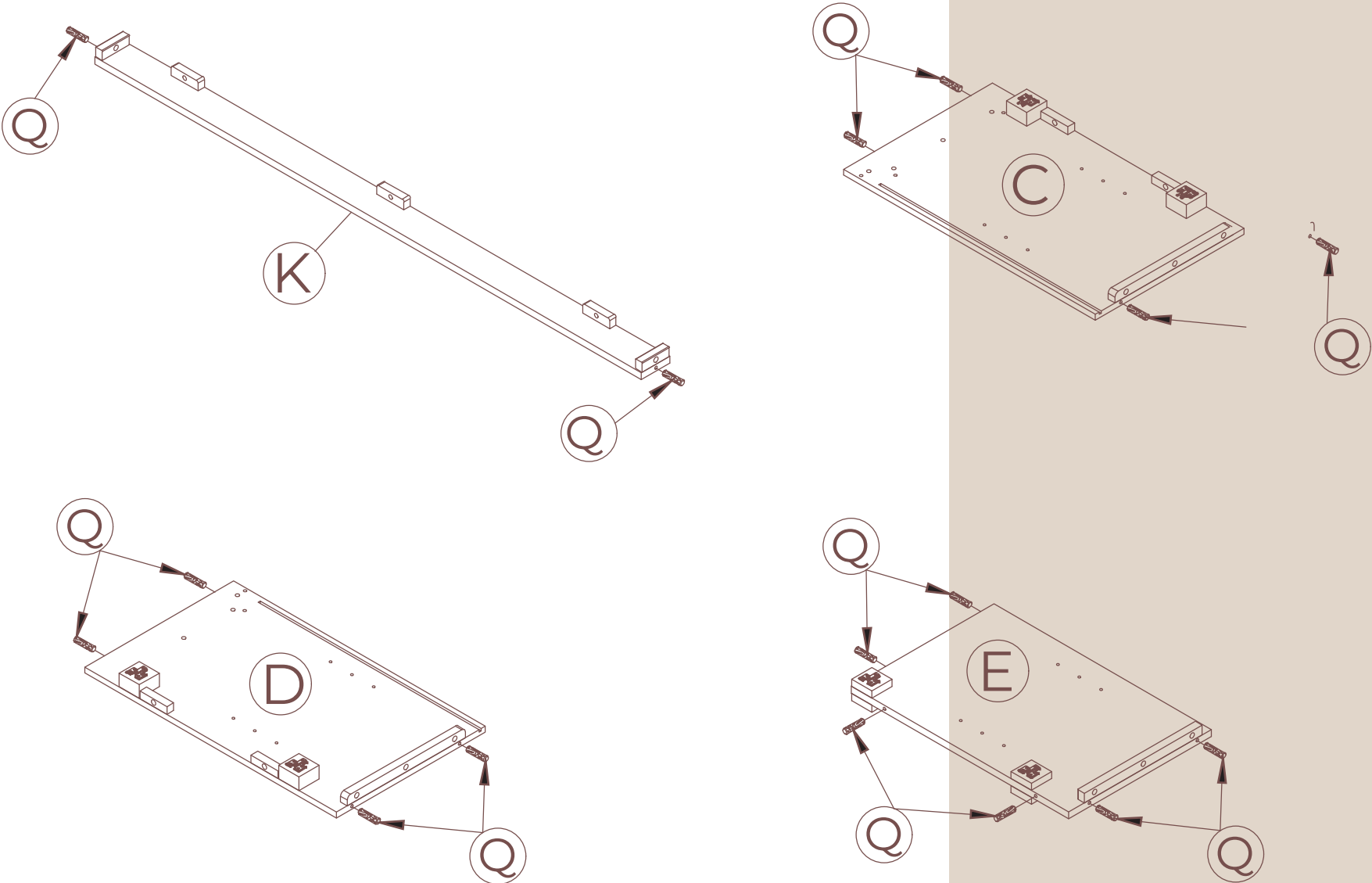
V Hinges
Qty 8pcs - Ø35mm

W Parachute Head Screw
Qty 8 pcs - Ø3.5x12mm

ASSEMBLY

STEP 1

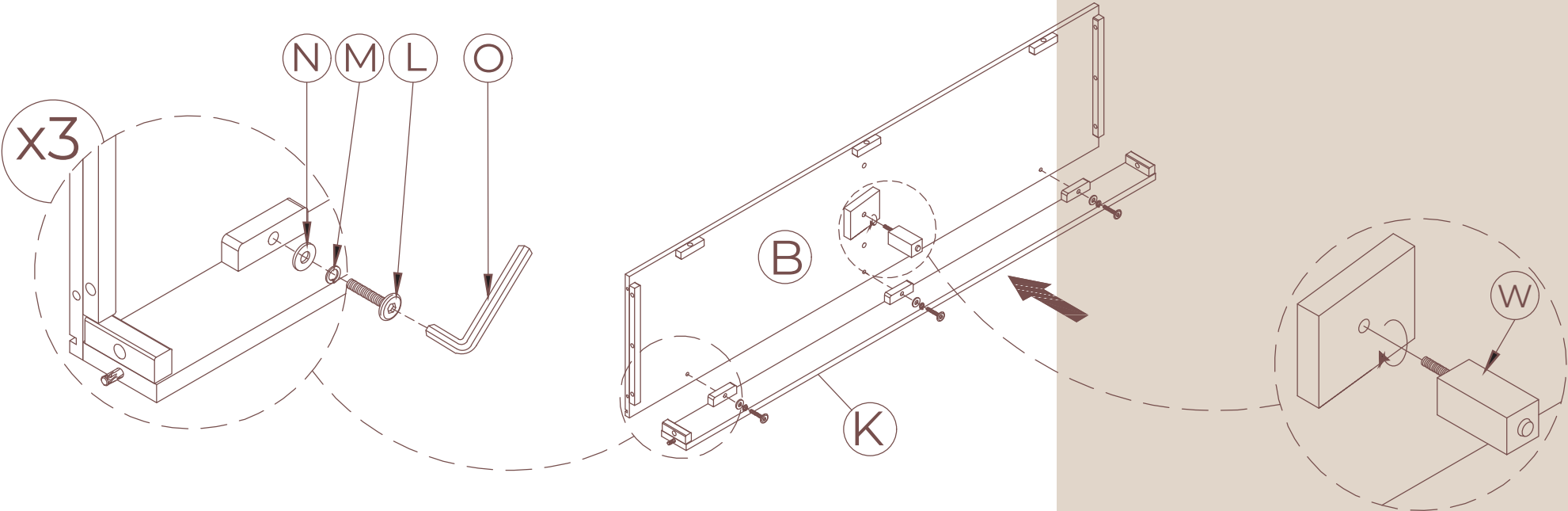
Attach the Wood Dowels (Q) to Back Panel (K), Two Left-right Side Panels (C & D), Center panel (E).



ASSEMBLY

STEP 2

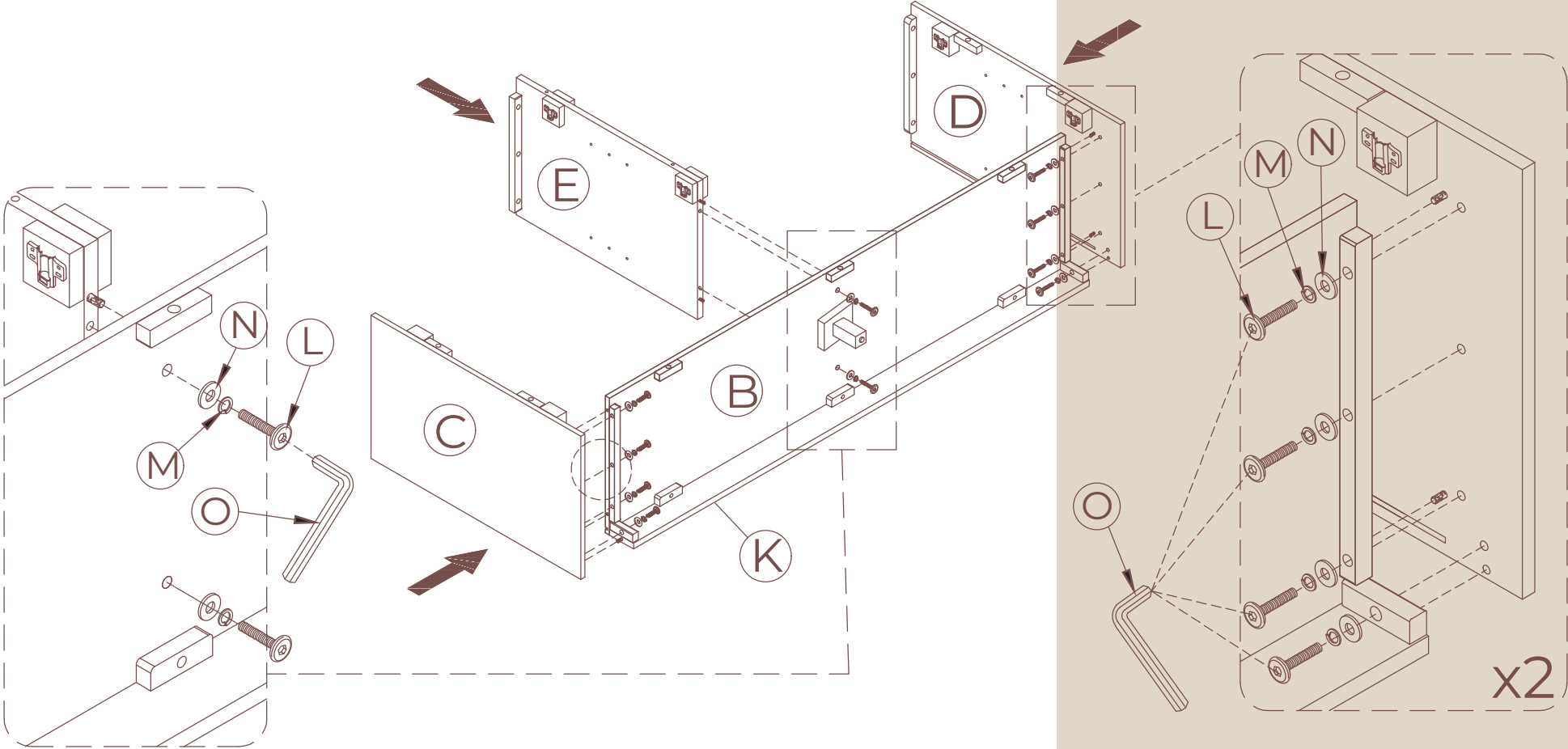
Attach the Back Panel (K) to the Bottom Panel (B) with Bolts (L), Lock Washers (M), Flat Washers (N) using Allen Wrench (O). Rotate the Leg (W) to connect with Bottom Panel (B).



ASSEMBLY

STEP 3

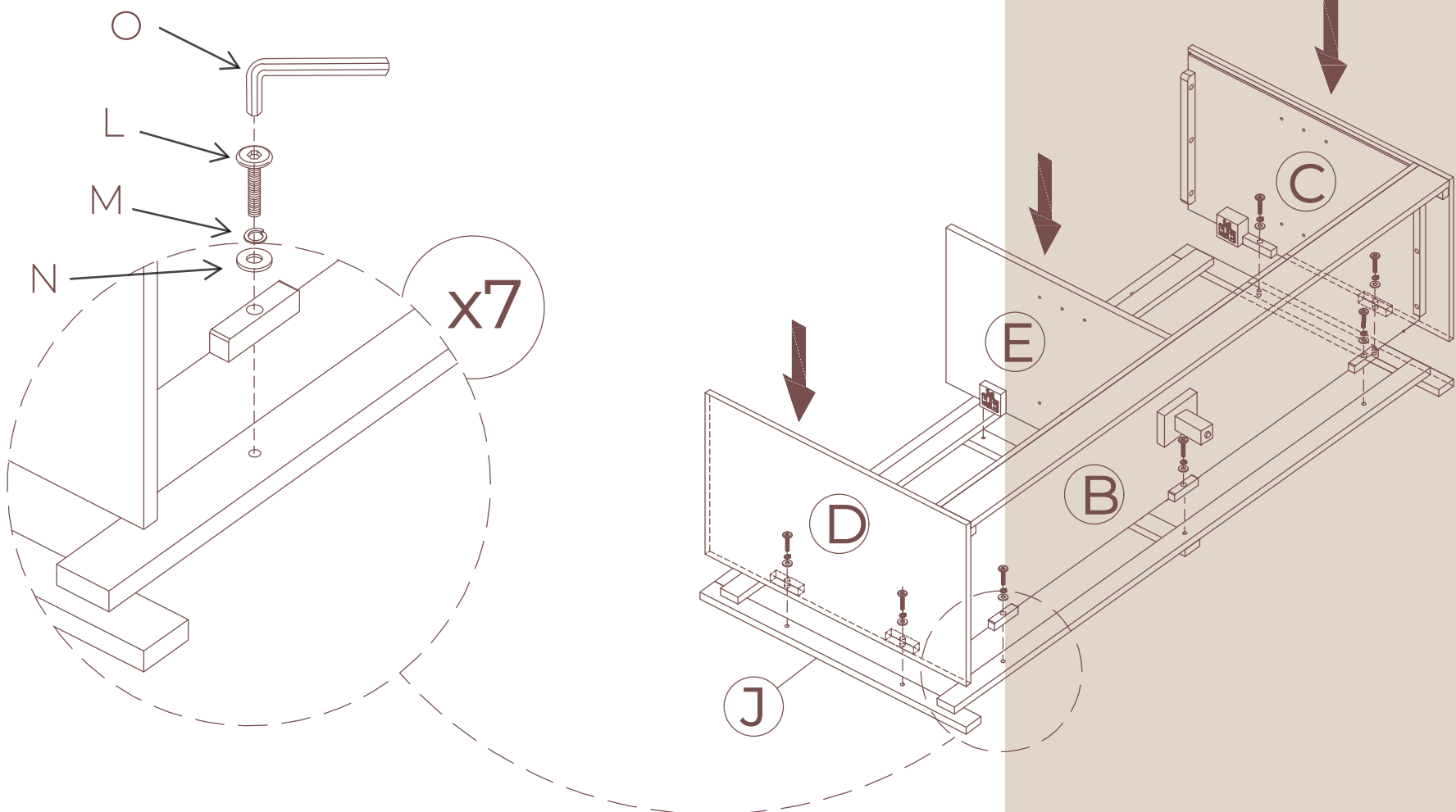
Attach the Bottom Frame (K & B) to the Two Left-right Side Panels (C & D) and Center Panel (E) with Bolts (L), Lock Washers (M), Flat Washers (N) using Allen Wrench (O).



ASSEMBLY

STEP 4

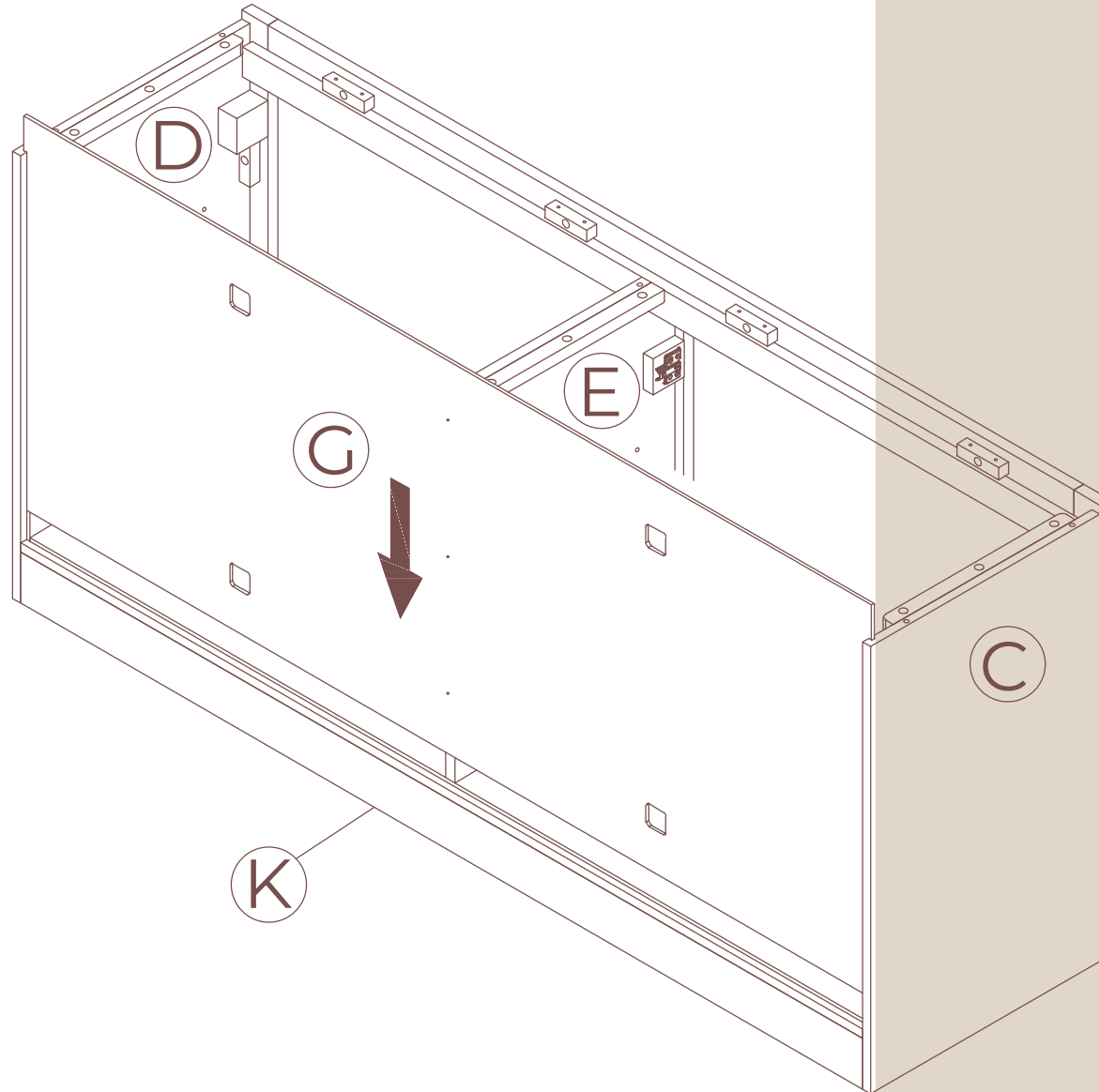
Attach the wooden frame just finished above (B & C & D & E & K) to the Front Frame (J) with Bolts (L), Lock Washers (M), Flat Washers (N) using Allen Wrench (O).



ASSEMBLY

STEP 5

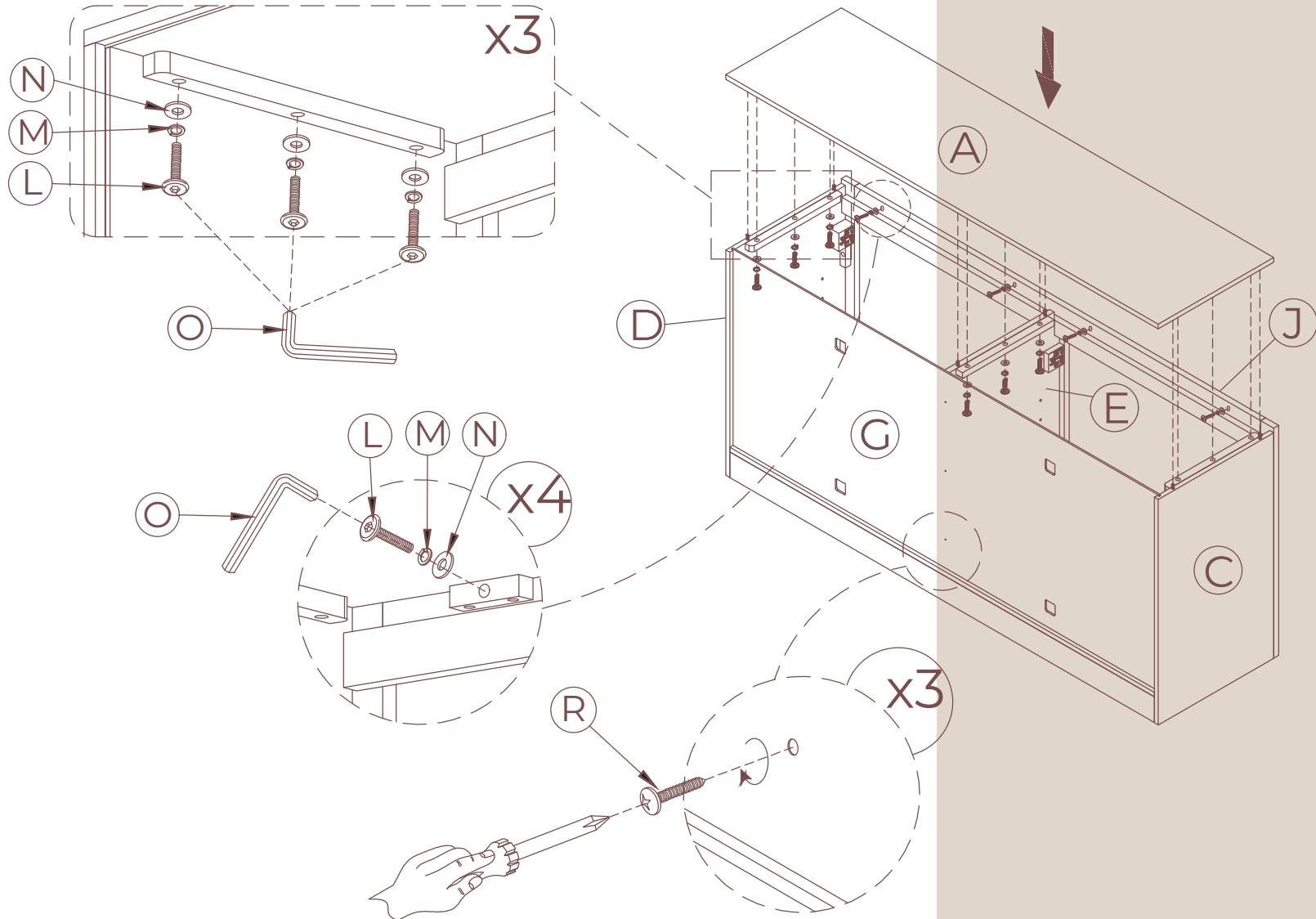
Drop the Back Panel (G) into the groove of Two Left-right Side Panels (C) and Bottom Frame (B & K).



ASSEMBLY

STEP 6

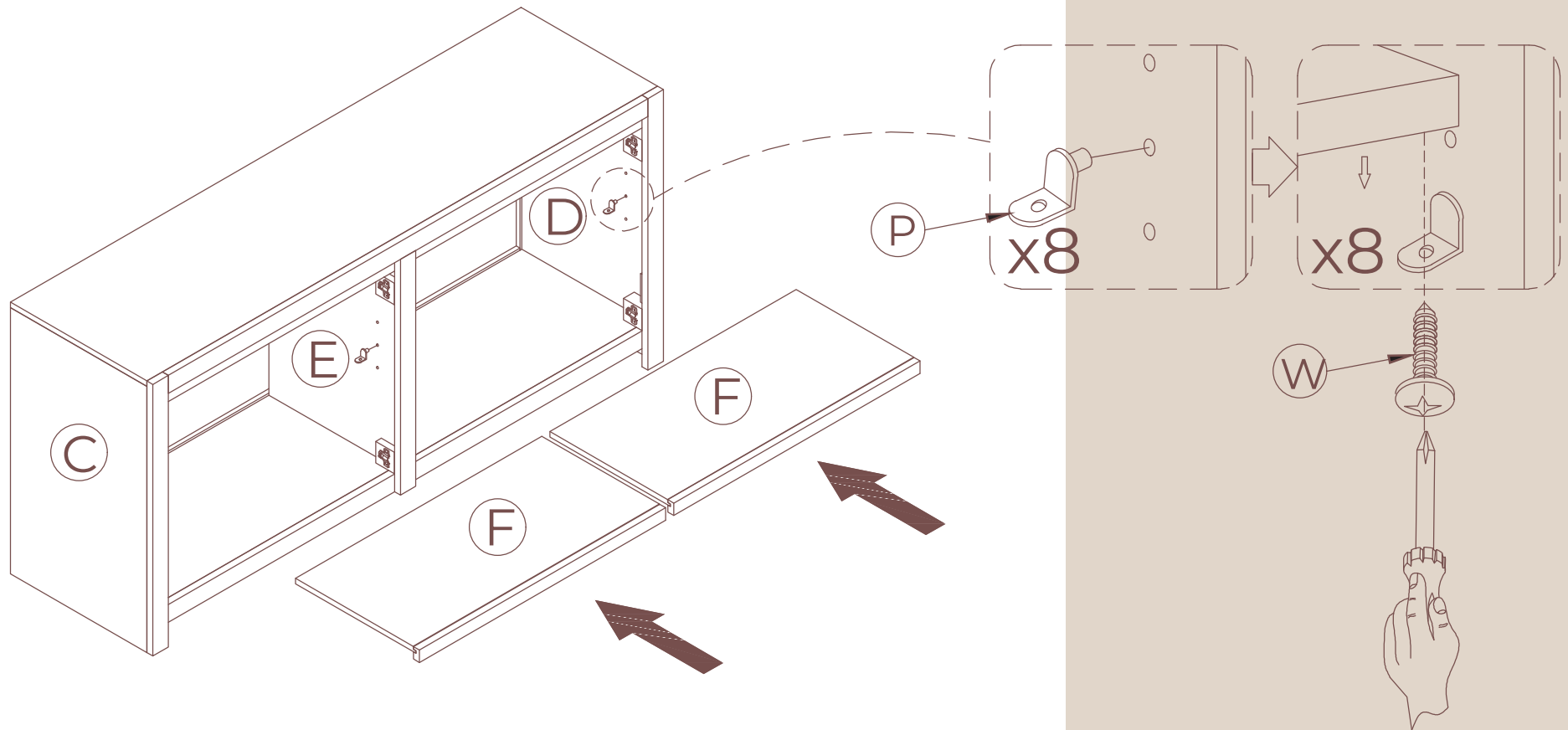
Attach the cabinet frame just finished above (B & C & D & E & K & G) to the Top Panel (A) with Bolts (L), Lock Washers (M), Flat Washers (N) using Allen Wrench (O). Then connect Back Panel (G) to the Center Panel (E) with Screws (R).



ASSEMBLY

STEP 7

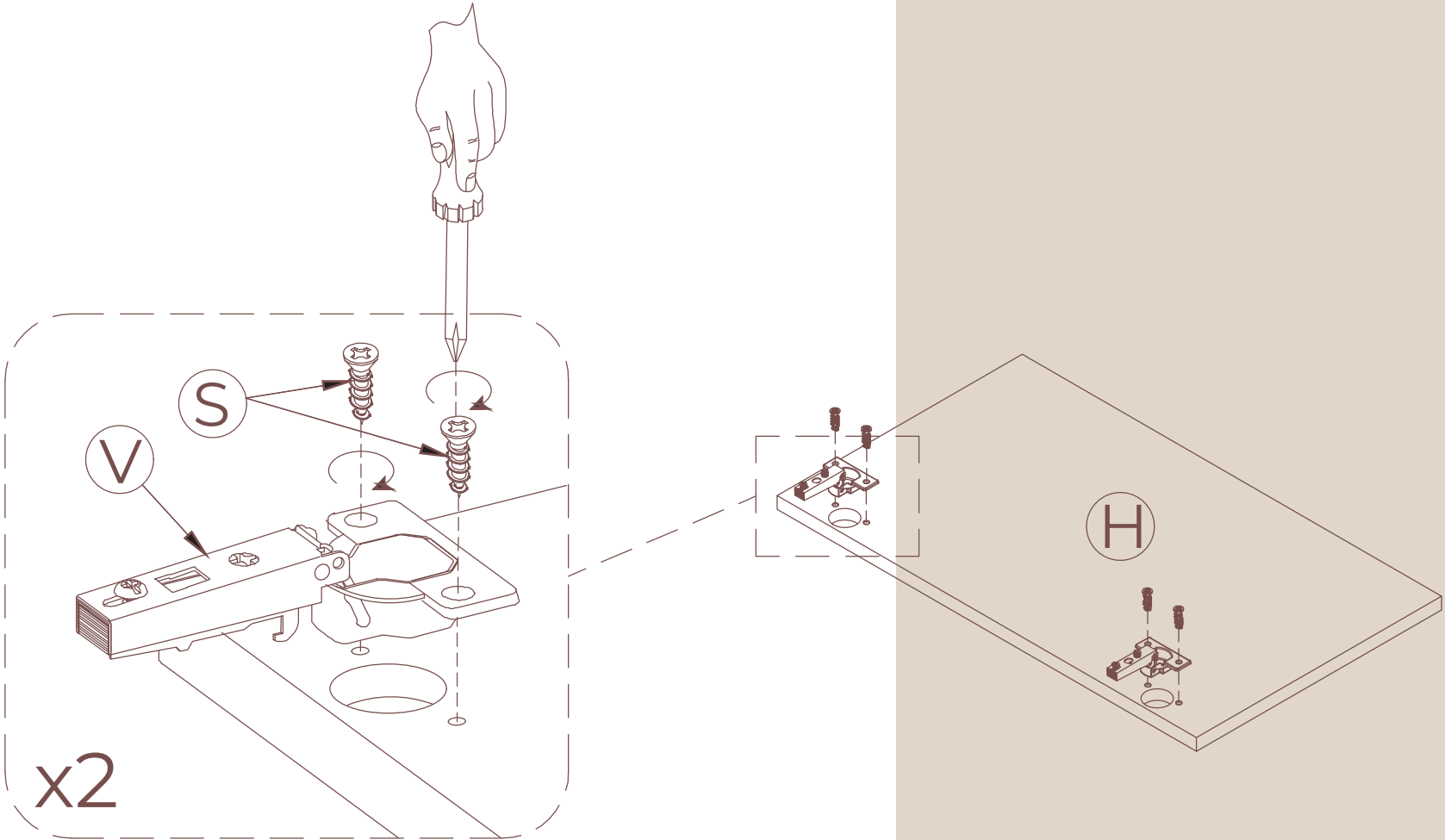
Attach the Plank Support Dowels (P) to the corresponding holes in the Two Left-right Side Panels (C & D) and Center Panel (E), then put Two Shelf Panels (F) on the pre-positioned dowels. Then connect Two Shelf Panels (F) to Plank Support Dowels (P) with Screws (W).



ASSEMBLY

STEP 8 x4

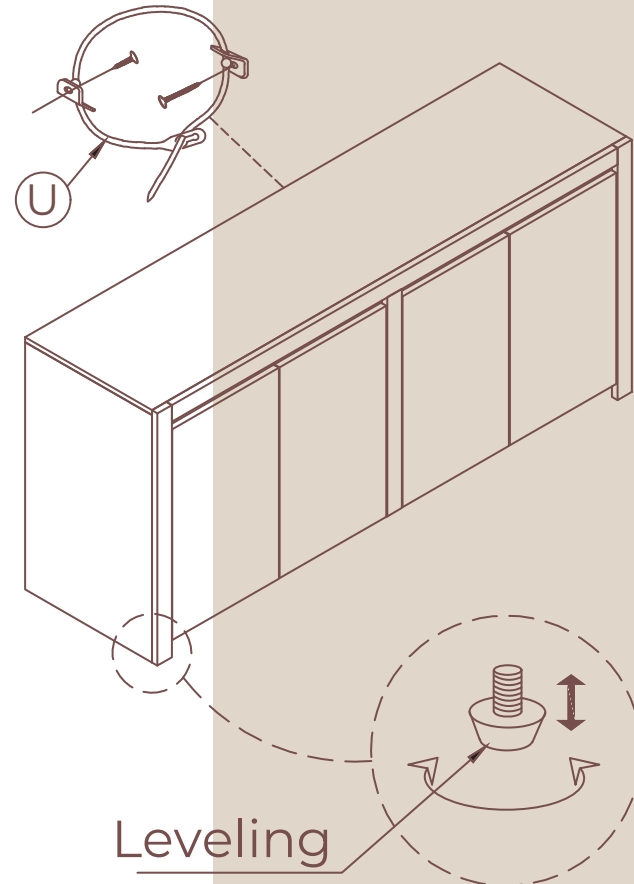
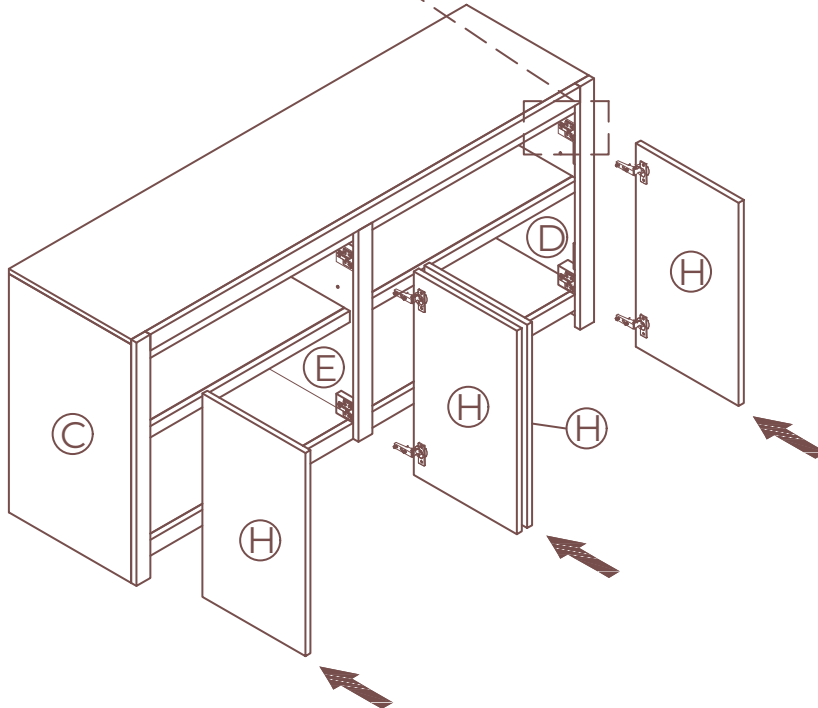
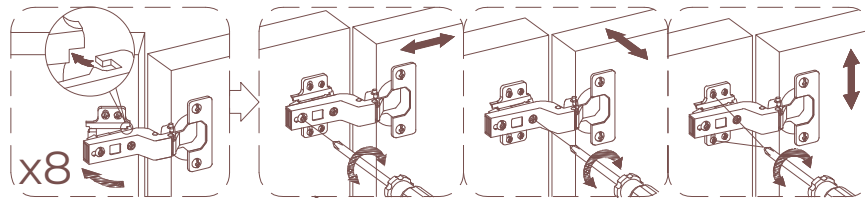
Attach the Hinges (V) to the Doors (H) with Screws (S).



ASSEMBLY

STEP 9

Attach the Door (H) to the Two Left-Right Side Panels (C&D) and Center Panels (E) through Hinges (V). Follow the steps in the image below. Fasten the Anti-tip Kit (U) to the wall and similarly to the cabinet. Connect the cable to prevent the cabinet from tipping over.



ASSEMBLY

STEP 10: Felt Pad Application (optional)

1. Wipe any dust from the surface for best adhesion
2. Gently peel the felt pad from the paper
3. Firmly apply a felt pad to each of the feet

