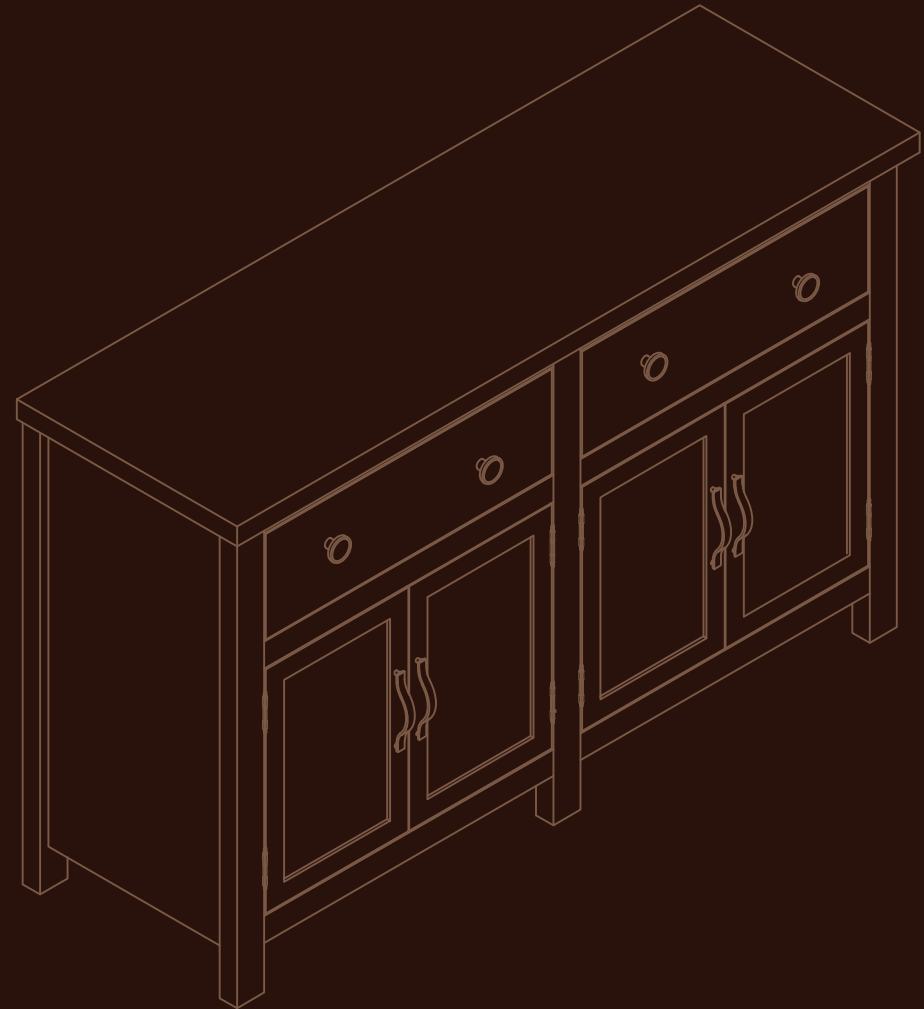


Organic

Felix

CABINET

MFL



MAVENLANE.COM

@mavenlanehome

Organic Felix Cabinet



ABOUT US

As unique individuals, we all have our own ways of expressing ourselves. Through expression, we open doors to new opportunities and communicate to the world.

At Maven Lane, we understand the profound impact that home design can have on personal expression. Our homes serve as our nests, reflecting our individual styles, personalities, and values. They are the spaces where we create meaningful memories and moments of comfort and peace.

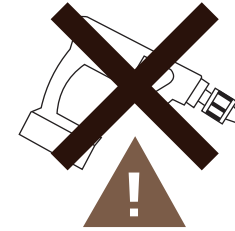
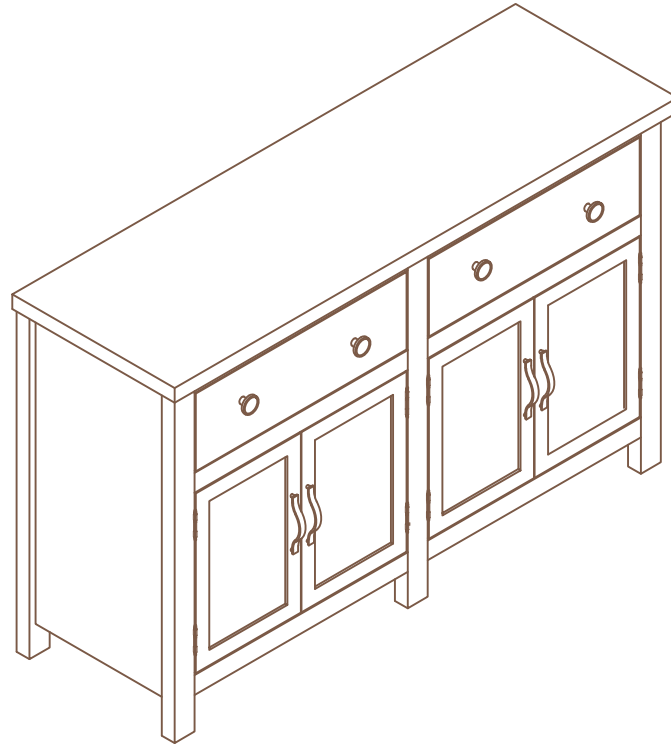
With this in mind, we set out to bring the finest in design, materials, and customer service directly to our customers, all at an attainable price point. Whether you're seeking to elevate your mornings with a cozy sanctuary or host laughter-filled dinners with loved ones, we are dedicated to helping you create a space that truly reflects who you are and what you aspire to be.

MAVENLANE.COM

 @mavenlanehome

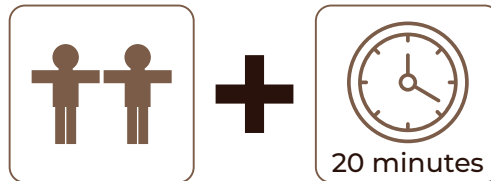


ASSEMBLY INSTRUCTIONS



The use of power tools to assemble this product could lead to damage, making it unsafe

Please assemble on a clean, level surface to avoid damage and ensure proper assembly

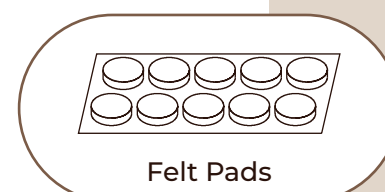
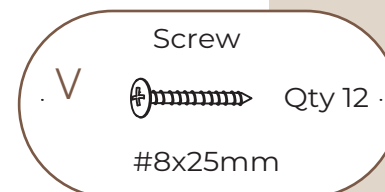
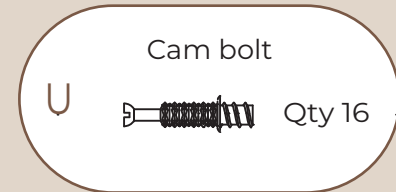
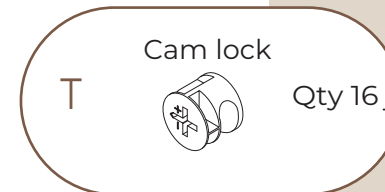
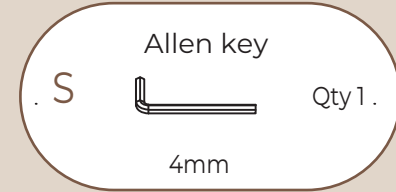
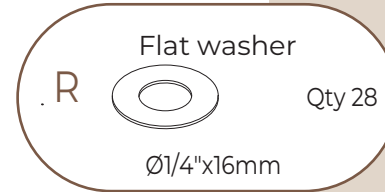
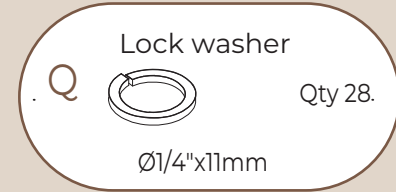
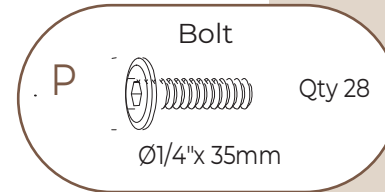
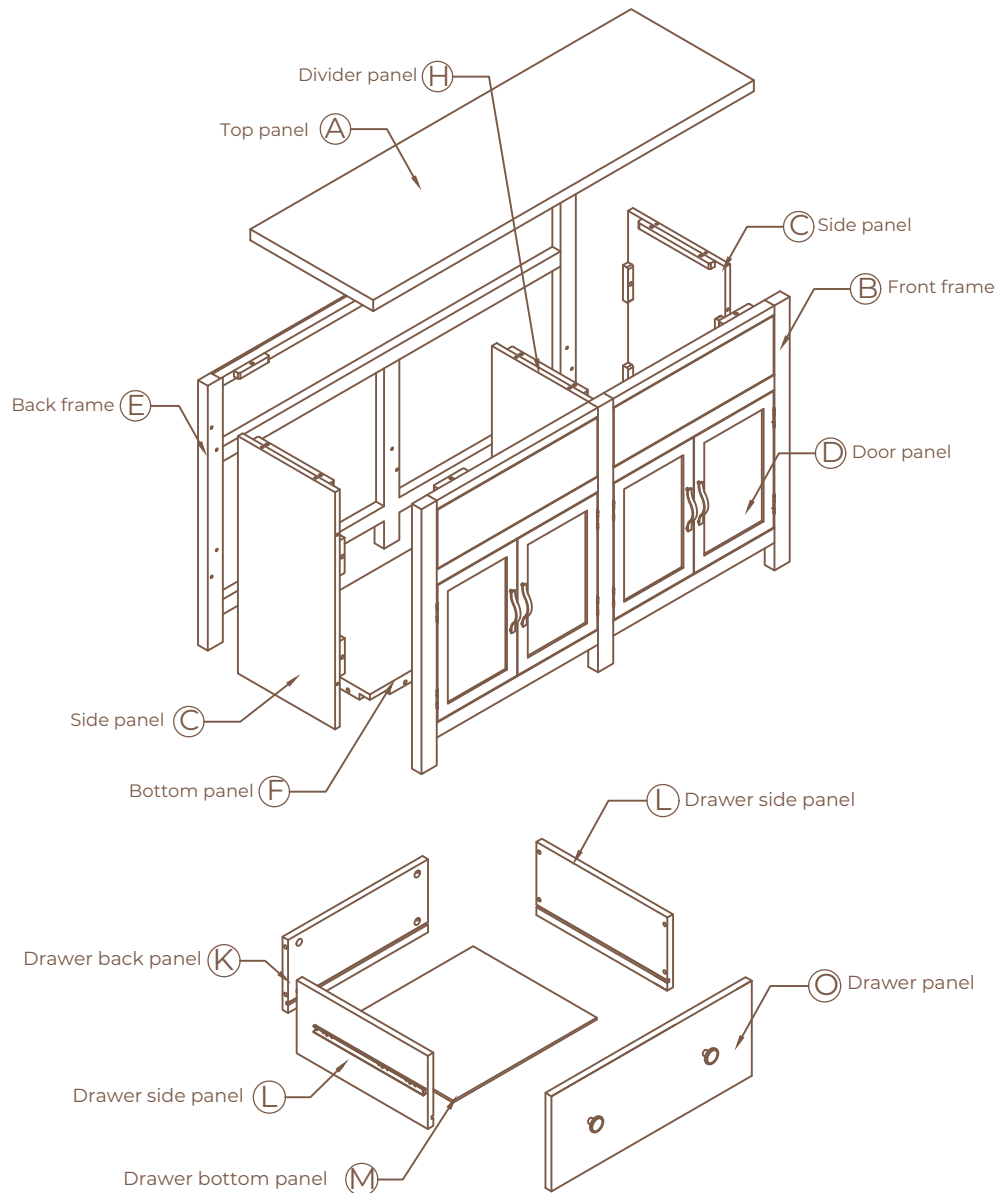


Tools Required



Screw Driver
(Not included)

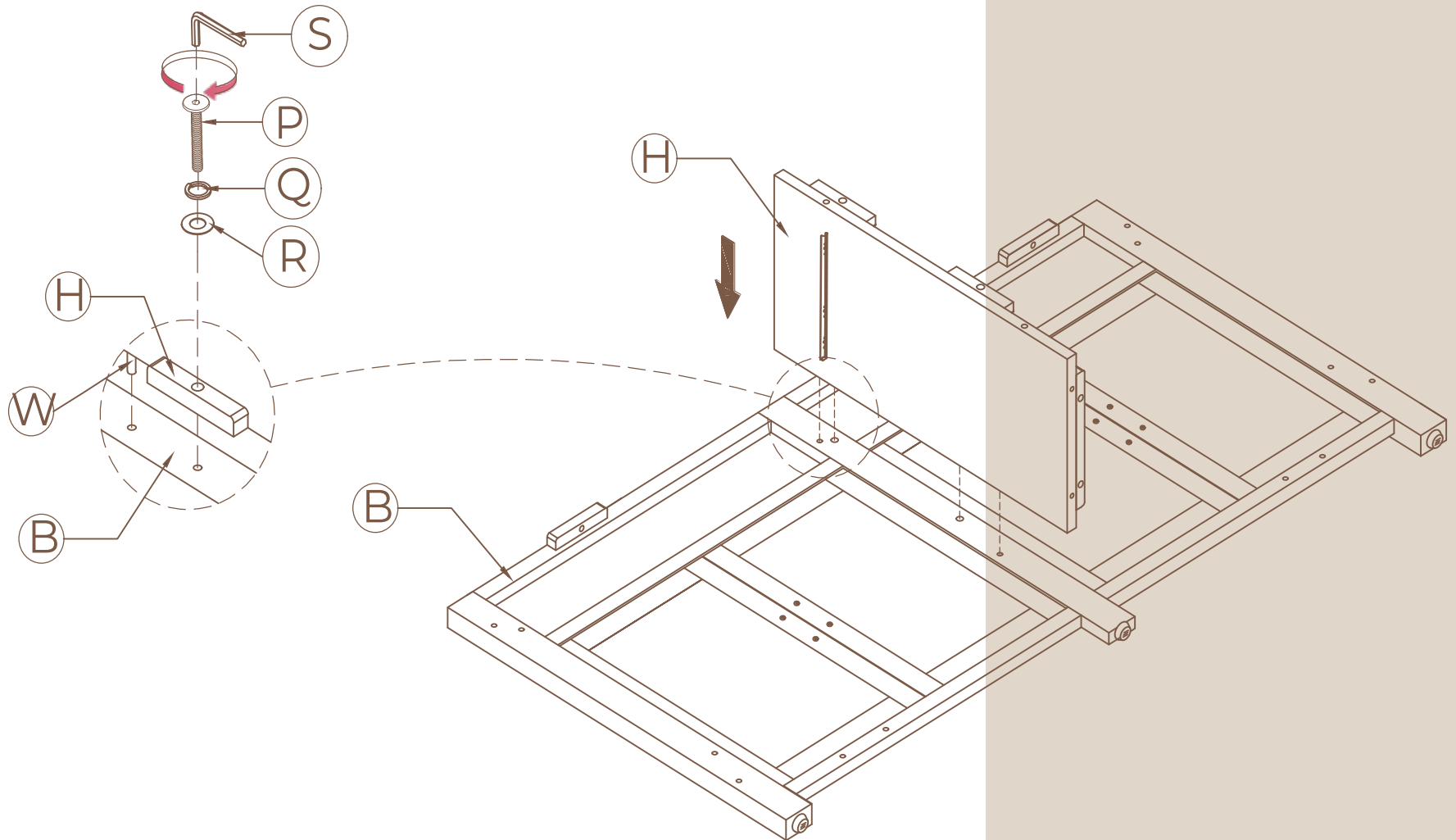
PARTS LIST



ASSEMBLY

STEP 1

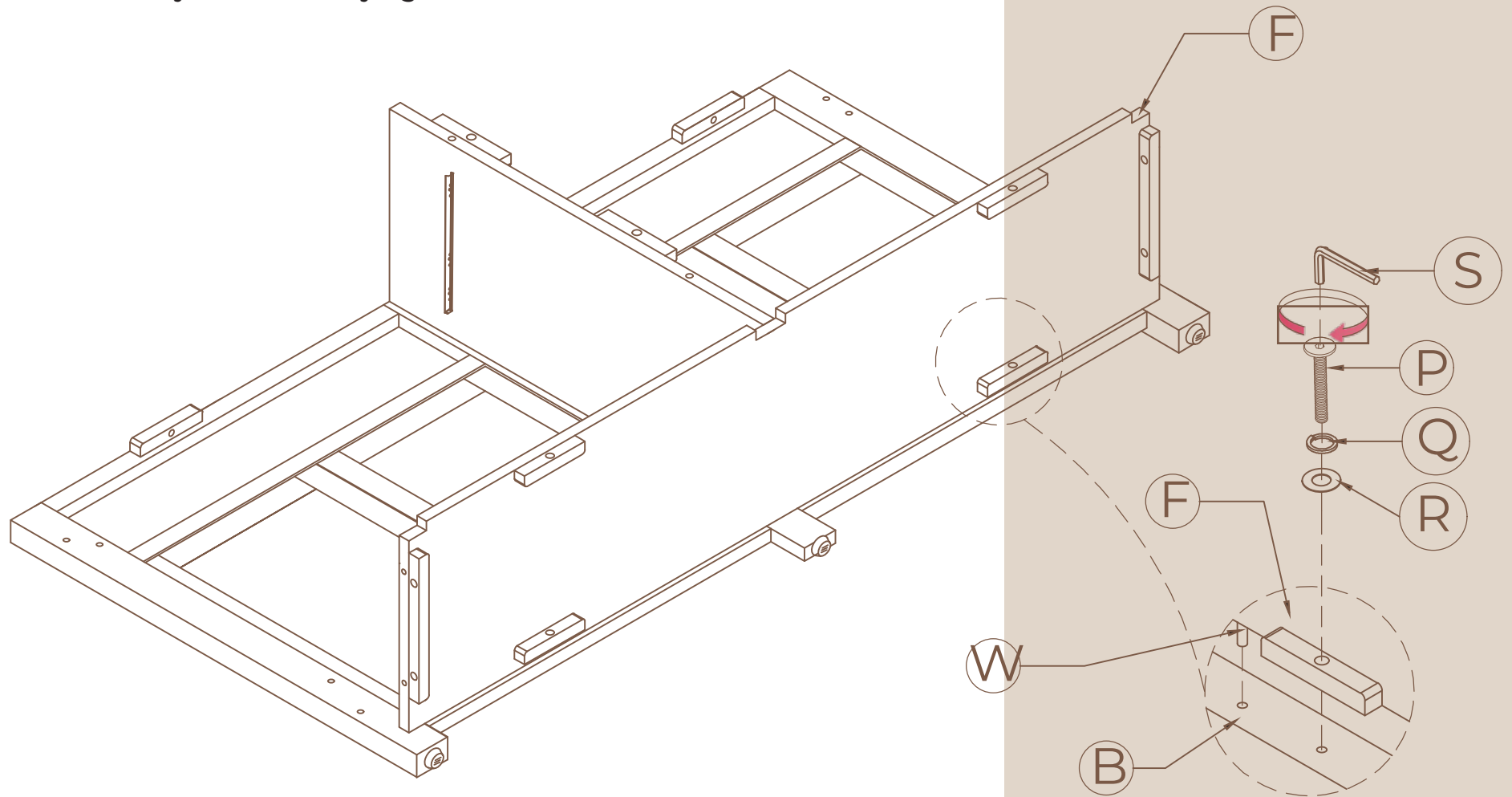
Insert the Divider Panel H to Front Frame B using Wood Dowels W, Bolts P, Lock Washers Q, Flat Washers R, and Allen Key S. Do not fully tighten yet.



ASSEMBLY

STEP 2

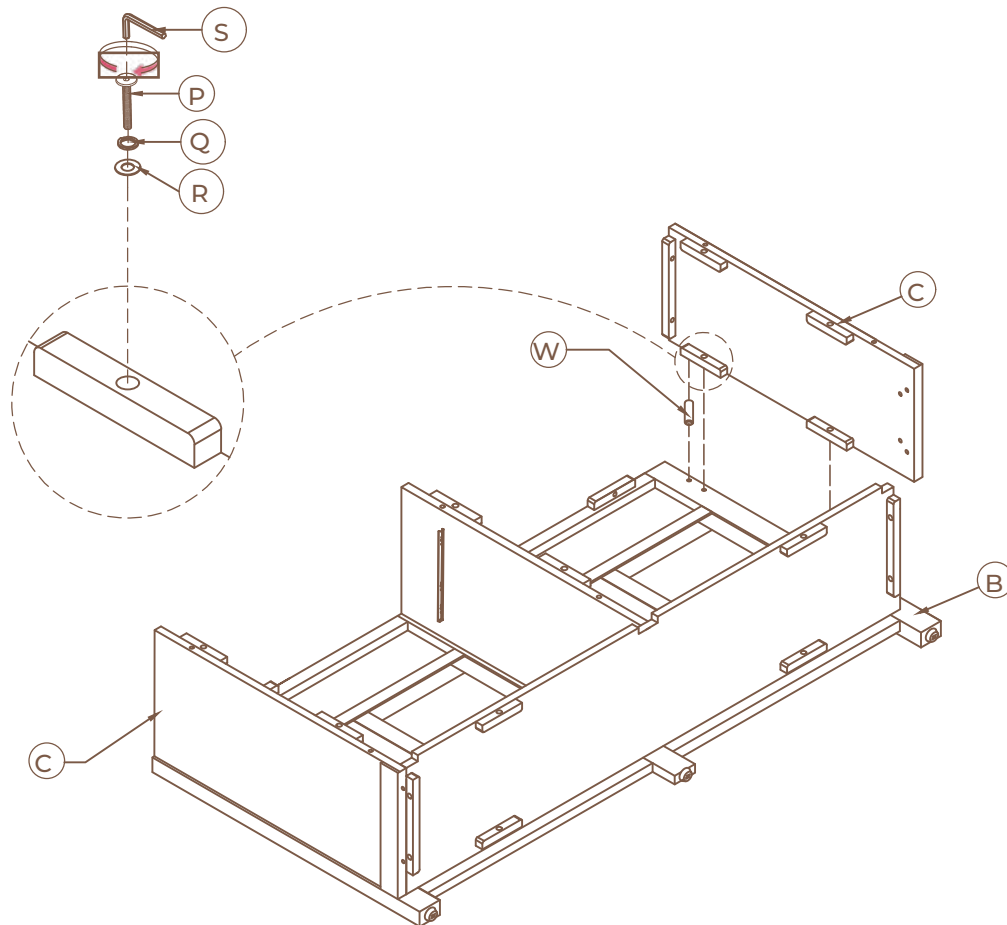
Insert the Bottom Panel F to Front Frame B, and Divider Panel H using Wood Dowels W, Bolts P, Lock Washers Q, Flat Washers R, and Allen Key S. Do not fully tighten.



ASSEMBLY

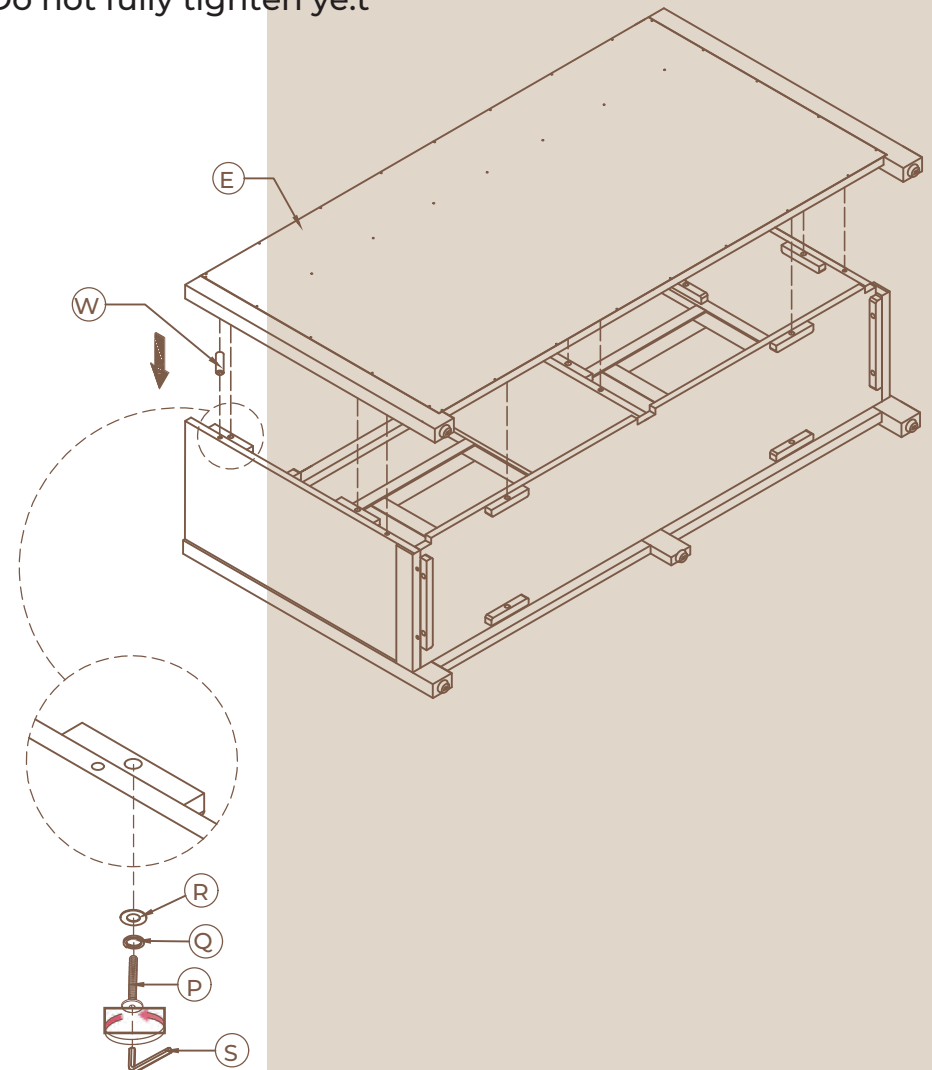
STEP 3

Insert the Side Panels C to Front frame B, and Bottom Panel F using Wood Dowels W, Bolts P, Lock Washers Q, Flat Washers R, and Allen Key S. Do not fully tighten yet.



STEP 4

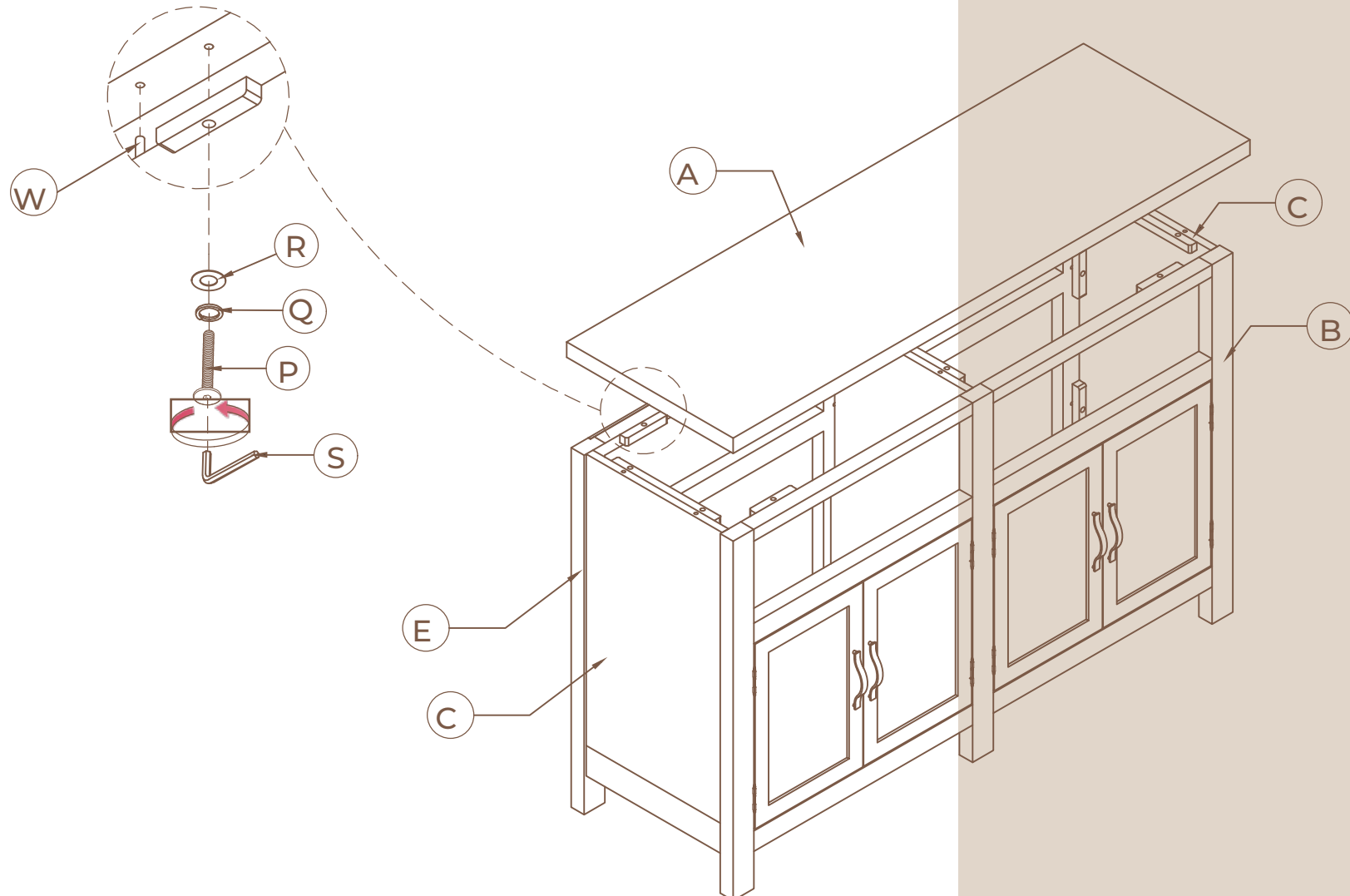
Insert the Back Frame E to Side Panels C, Bottom Panel F, and Divider panel H using Wood Dowels W, Bolts P, Lock Washers Q, Flat Washers R, and Allen Key S. Do not fully tighten yet.



ASSEMBLY

STEP 5

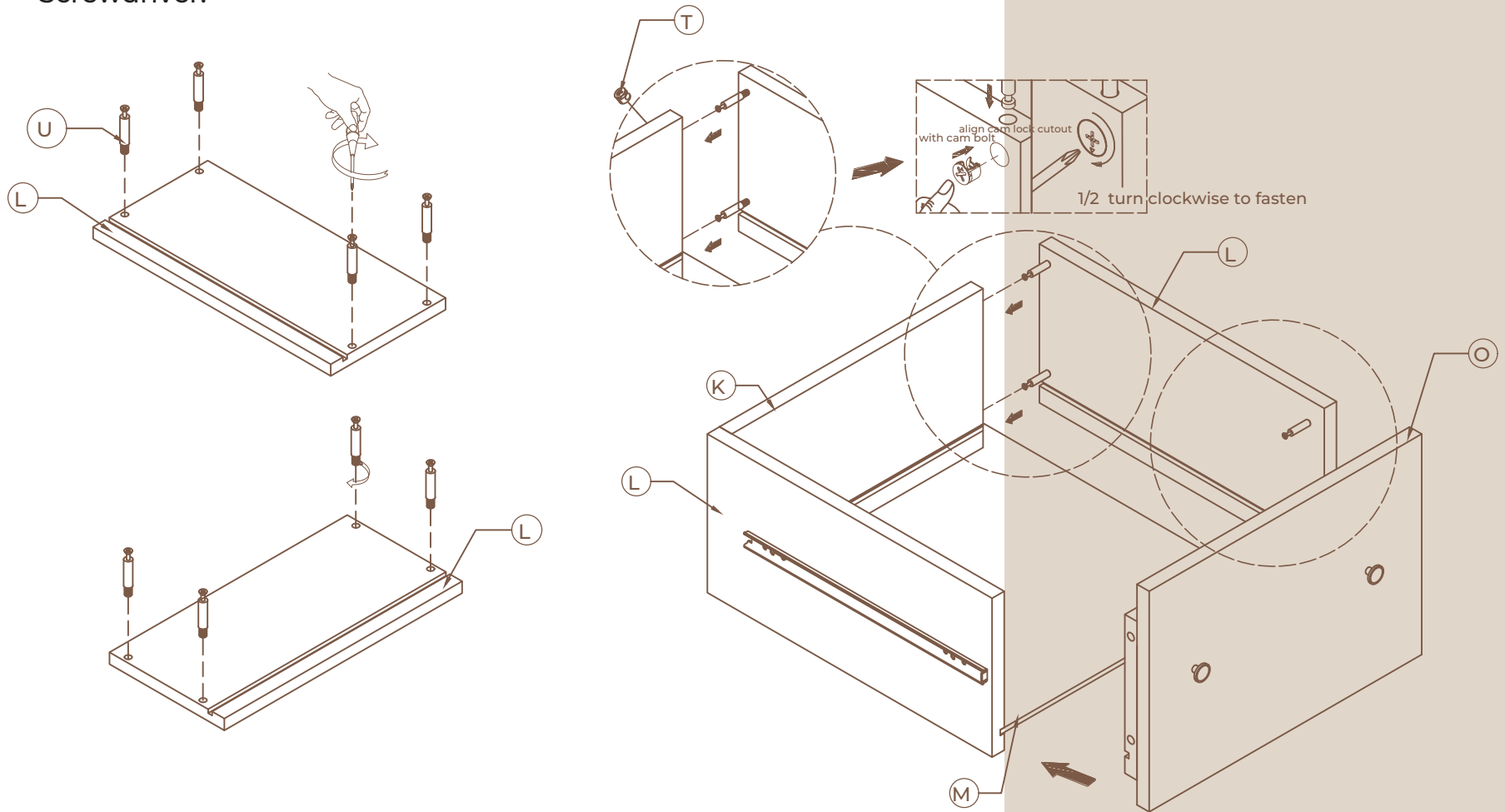
Insert the Top Panel A to Front Frame B, Back Frame E, Divider Panel H, and Side Panels C using Bolts P, Lock Washers Q, Flat Washers R, and Allen Key S. Fully tighten all Bolts P from Steps 1, 2, 3, 4 and 5.



ASSEMBLY

STEP 6

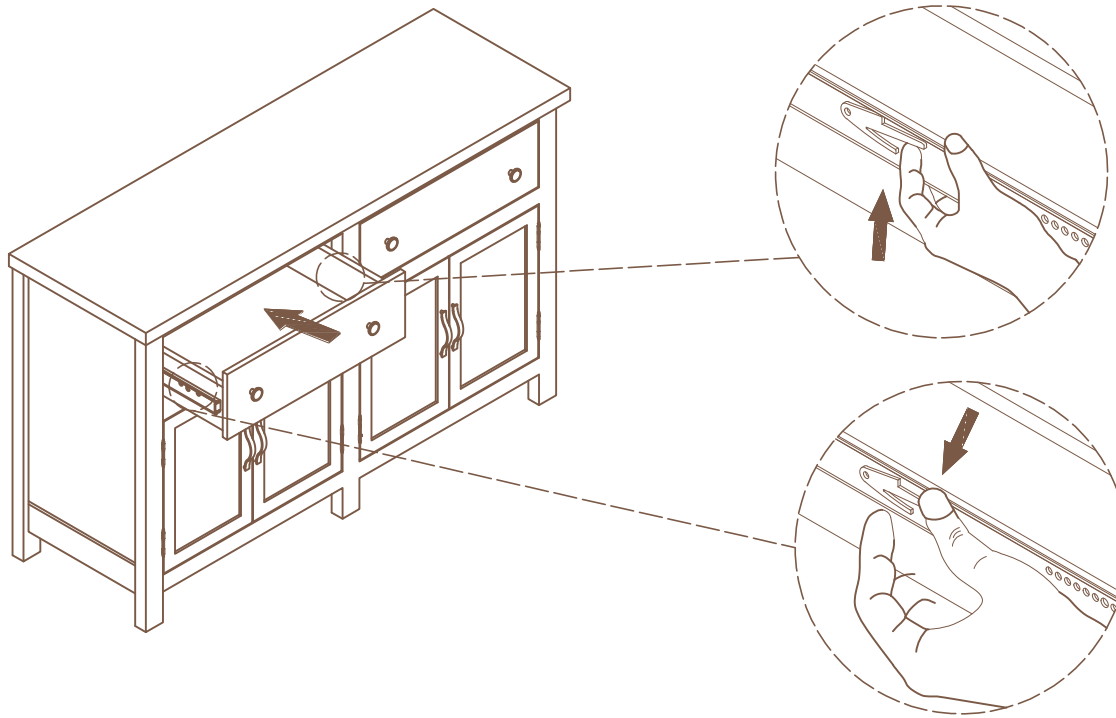
Insert the Drawer Bottom Panel M to Drawer Back Panel K, Drawer side Panels L, Drawer Front Panel O using Cam Bolts T, Cam Lock U, and Screwdriver.



ASSEMBLY

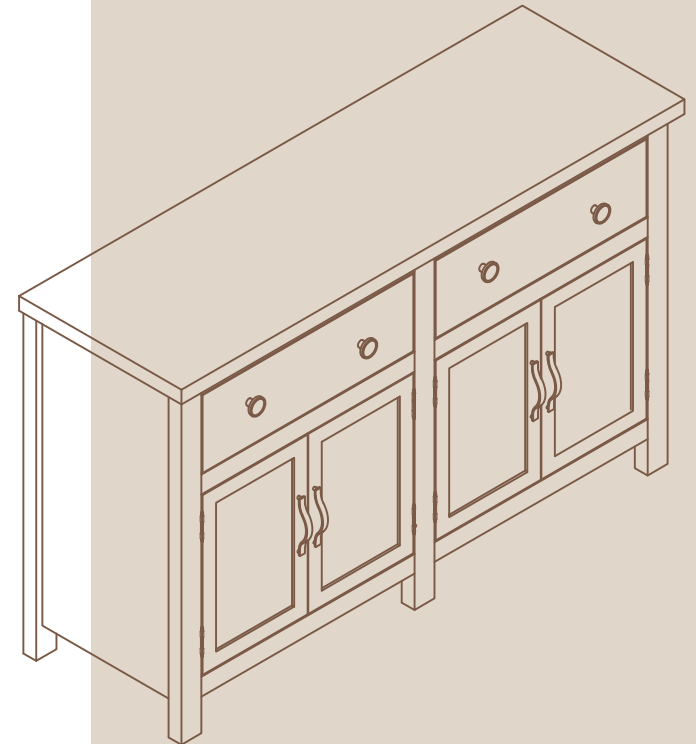
STEP 7

Insert the Drawers to Cabinet

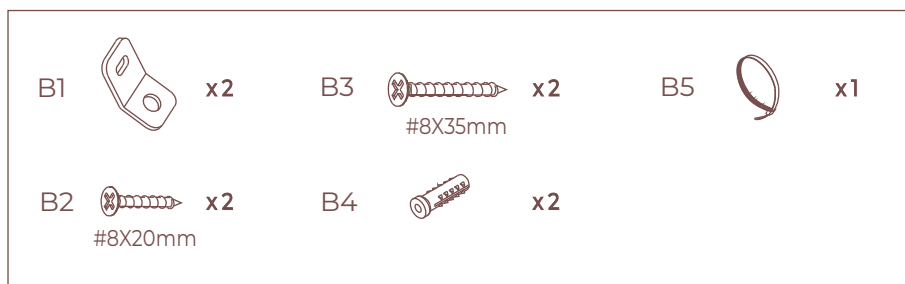
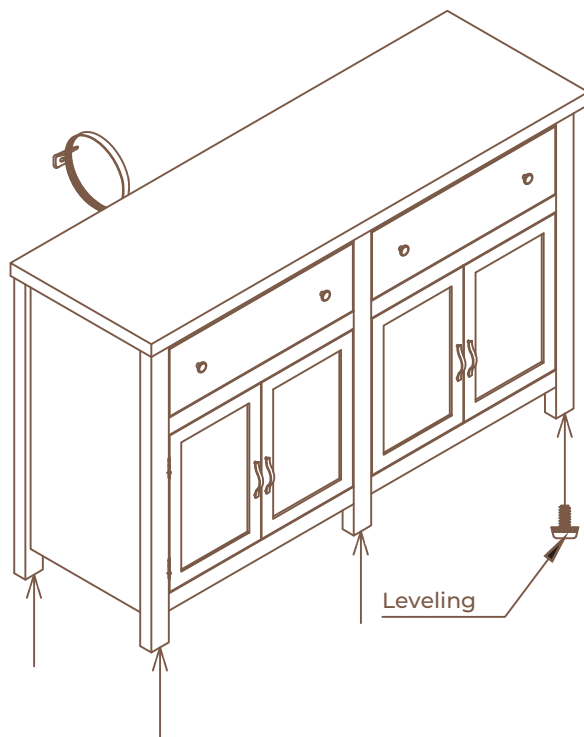
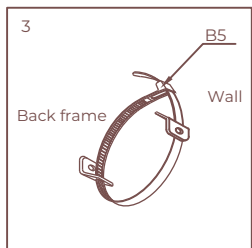
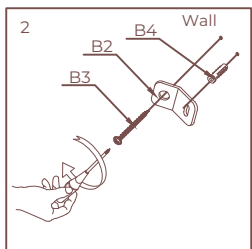
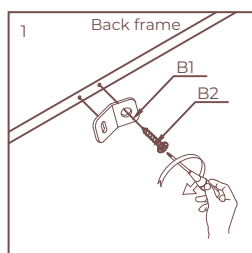


STEP 8

Place the Cabinet on a flat, level surface.
Assembly complete.



ANTI-TIPPING INSTRUCTION



STEP 9: Felt Pad Application (optional)

1. Wipe any dust from the surface for best adhesion
2. Gently peel the felt pad from the paper
3. Firmly apply a felt pad to each of the feet

