



MAVENLANE.COM



Eva Stool



## ABOUT US

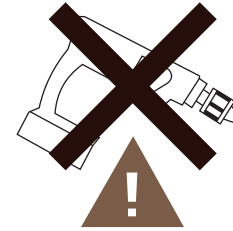
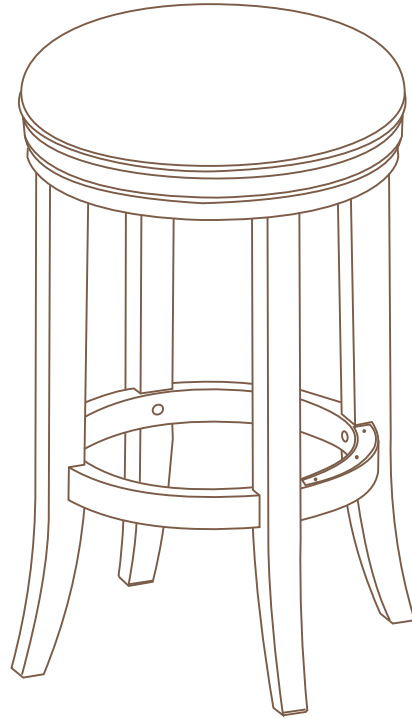
As unique individuals, we all have our own ways of expressing ourselves. Through expression, we open doors to new opportunities and communicate to the world.

At Maven Lane, we understand the profound impact that home design can have on personal expression. Our homes serve as our nests, reflecting our individual styles, personalities, and values. They are the spaces where we create meaningful memories and moments of comfort and peace.

With this in mind, we set out to bring the finest in design, materials, and customer service directly to our customers, all at an attainable price point. Whether you're seeking to elevate your mornings with a cozy sanctuary or host laughter-filled dinners with loved ones, we are dedicated to helping you create a space that truly reflects who you are and what you aspire to be.

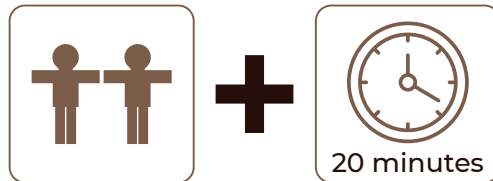


# ASSEMBLY INSTRUCTIONS

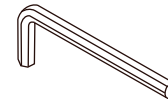


The use of power tools to assemble this product could lead to damage, making it unsafe

Please assemble on a clean, level surface to avoid damage and ensure proper assembly

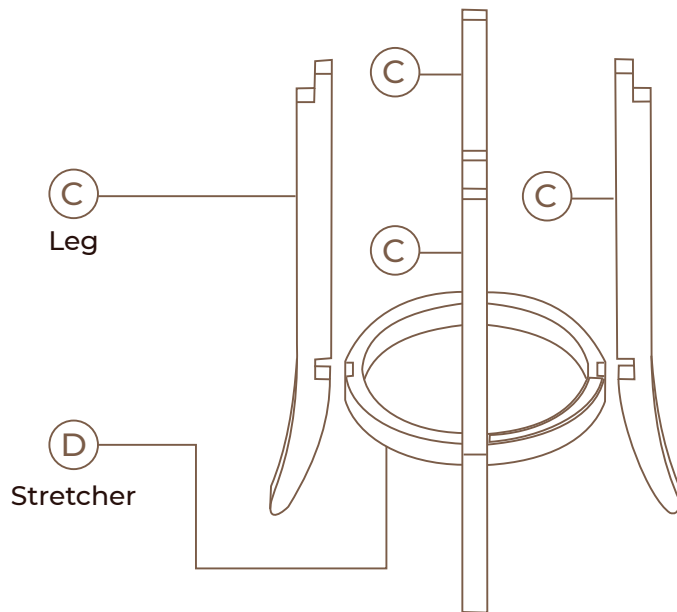
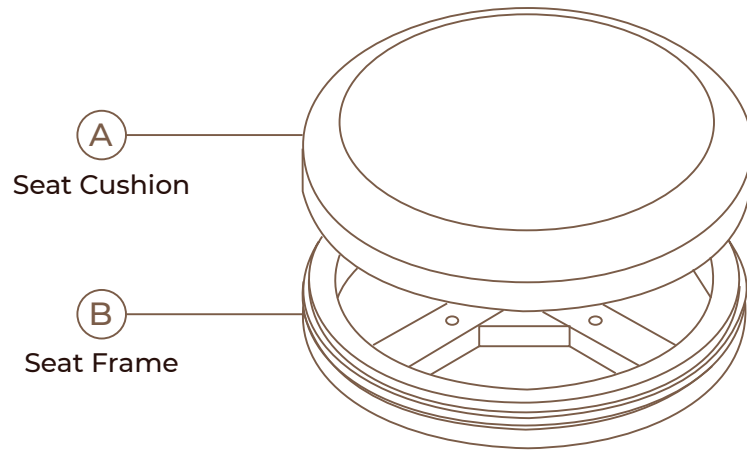


## Tools Required



Allen Wrench  
(included)

# PARTS LIST



E  Qty 16  
1/4"x12x35mm Bolt

H  Qty 4  
1/4"x12x20mm Bolt

F  Qty 20  
1/4"x09x1.5mm

I  Qty 1  
Swivel Base

G  Qty 20  
1/4"x019x1.5mm

J  Qty 1  
Allen Wrench

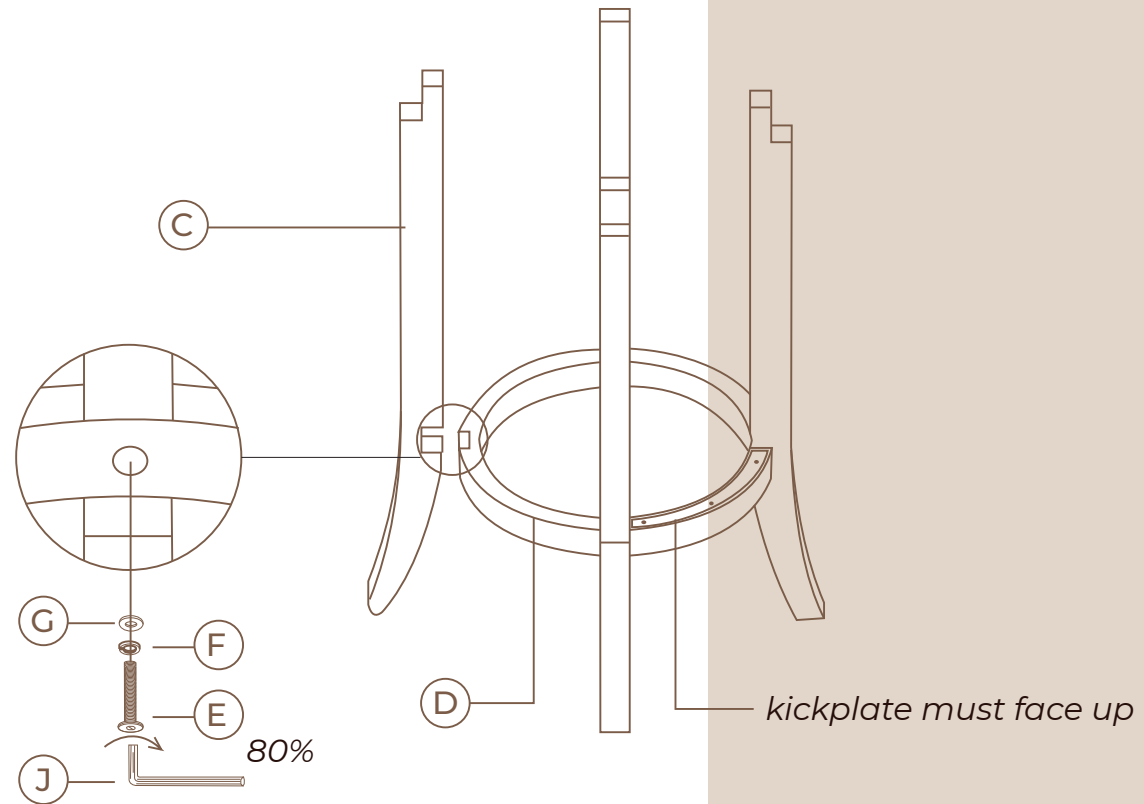
Scan for video instructions



# ASSEMBLY

## STEP 1

Insert stretcher (D) into the joint of legs (C). Note the kickplate on stretcher (D) must face up. Attach legs with bolts (E), lock washers (F), and flat washers (G) using Allen wrench (J). Do not fully tighten yet.



# ASSEMBLY

## STEP 2

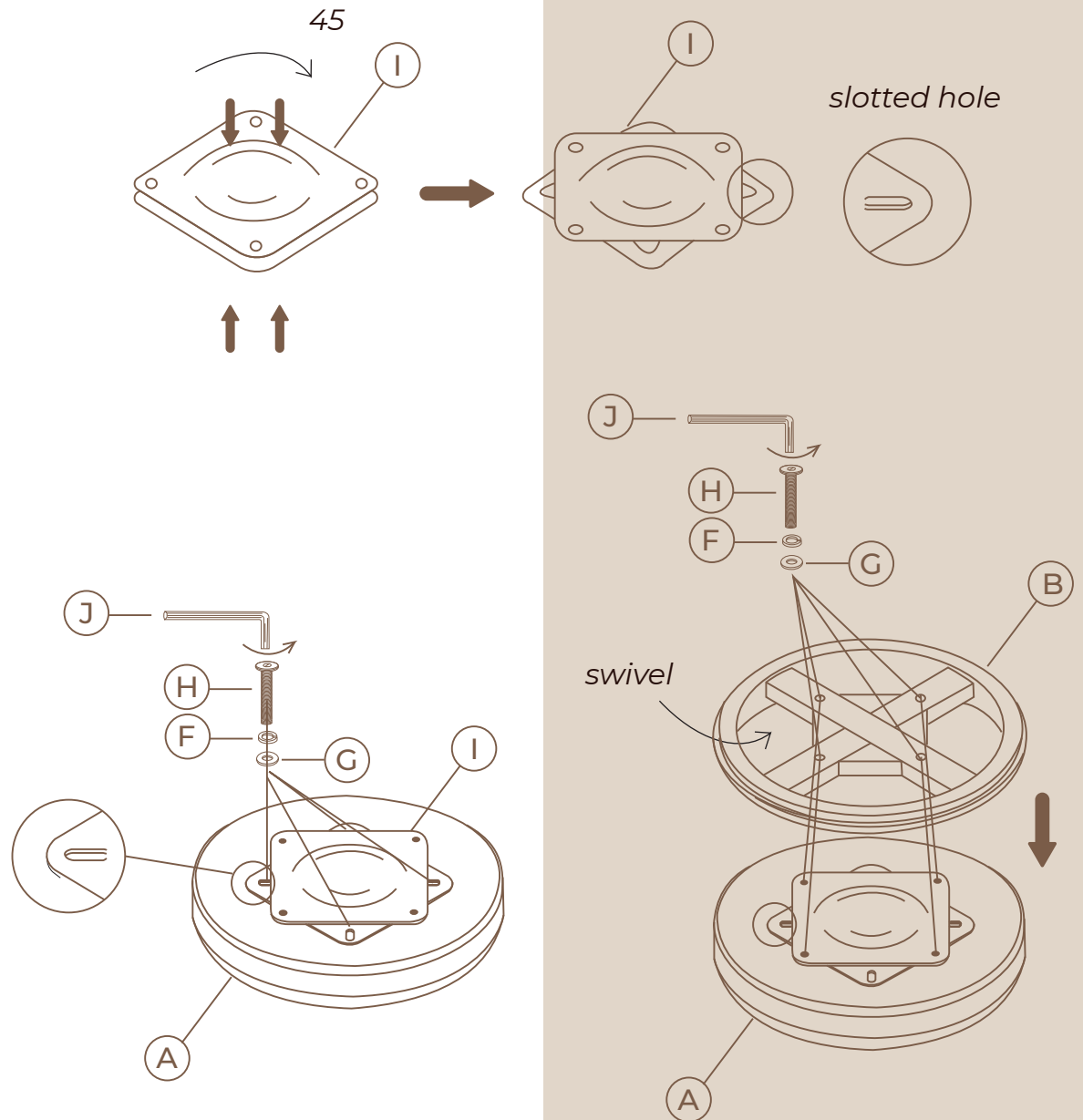
Twist swivel base (I) 45 degrees to access bolt holes in corners.

The two sides of the swivel base are different. One side contains round holes, the other side contains slotted holes.

Using slotted holes on swivel base (I), attach swivel base (I) to seat cushion A with bolts H, lock washers F, and flat washers G, using Allen wrench J.

Find the "swivel" sticker on the seat frame B. Match this side of seat frame B to swivel base (I). Align holes.

Attach the seat frame (B) with bolts (E), lock washers (F), and flat washers (G) using Allen wrench (J). Fully tighten all bolts.



# ASSEMBLY

---

## STEP 3

Insert legs (C) into the seat frame (B). Attach legs with bolts (E), lock washers (F), and flat washers (G) using Allen wrench (J). Do not fully tighten all bolts.

Turn stool upright and place on flat, level surface. Ensure the legs are aligned and seat is level, then fully tighten all bolts from Steps 1 and 3.

