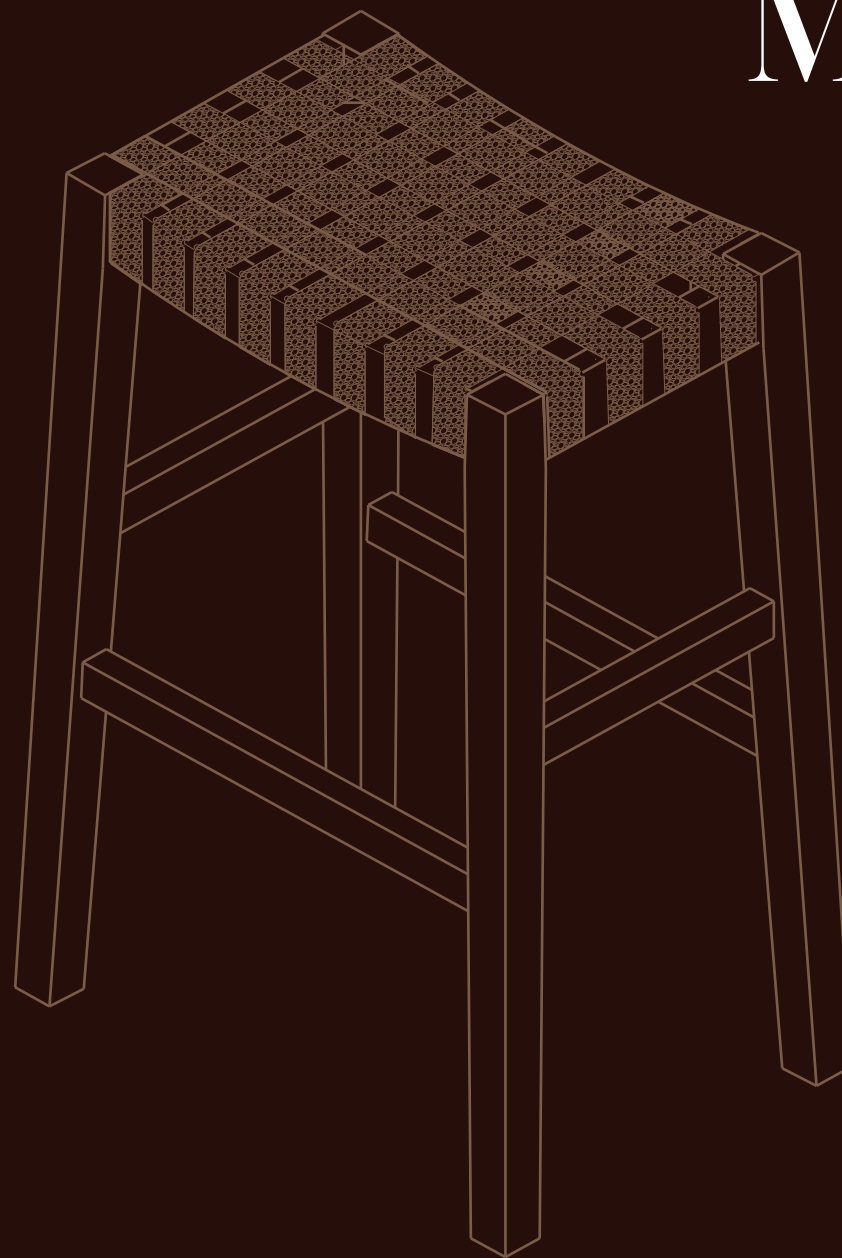


# Emerson

STOOL

MFL



MAVENLANE.COM

 @mavenlanehome

Emerson Stool



# MAVEN LANE

---

## ABOUT US

As unique individuals, we all have our own ways of expressing ourselves. Through expression, we open doors to new opportunities and communicate to the world.

At Maven Lane, we understand the profound impact that home design can have on personal expression. Our homes serve as our nests, reflecting our individual styles, personalities, and values. They are the spaces where we create meaningful memories and moments of comfort and peace.

With this in mind, we set out to bring the finest in design, materials, and customer service directly to our customers, all at an attainable price point. Whether you're seeking to elevate your mornings with a cozy sanctuary or host laughter-filled dinners with loved ones, we are dedicated to helping you create a space that truly reflects who you are and what you aspire to be.

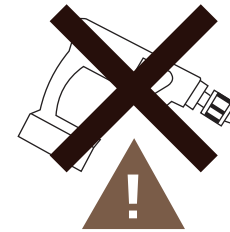
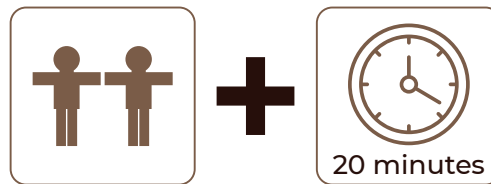
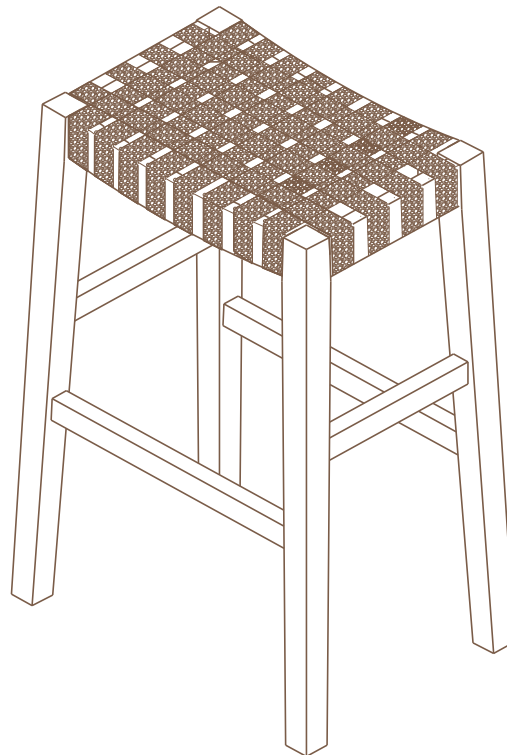
MAVENLANE.COM

 @mavenlanehome



# EMERSON STOOL (COUNTER & BAR HEIGHT)

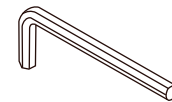
## ASSEMBLY INSTRUCTIONS



The use of power tools to assemble this product could lead to damage, making it unsafe

Please assemble on a clean, level surface to avoid damage and ensure proper assembly

### Tools Required

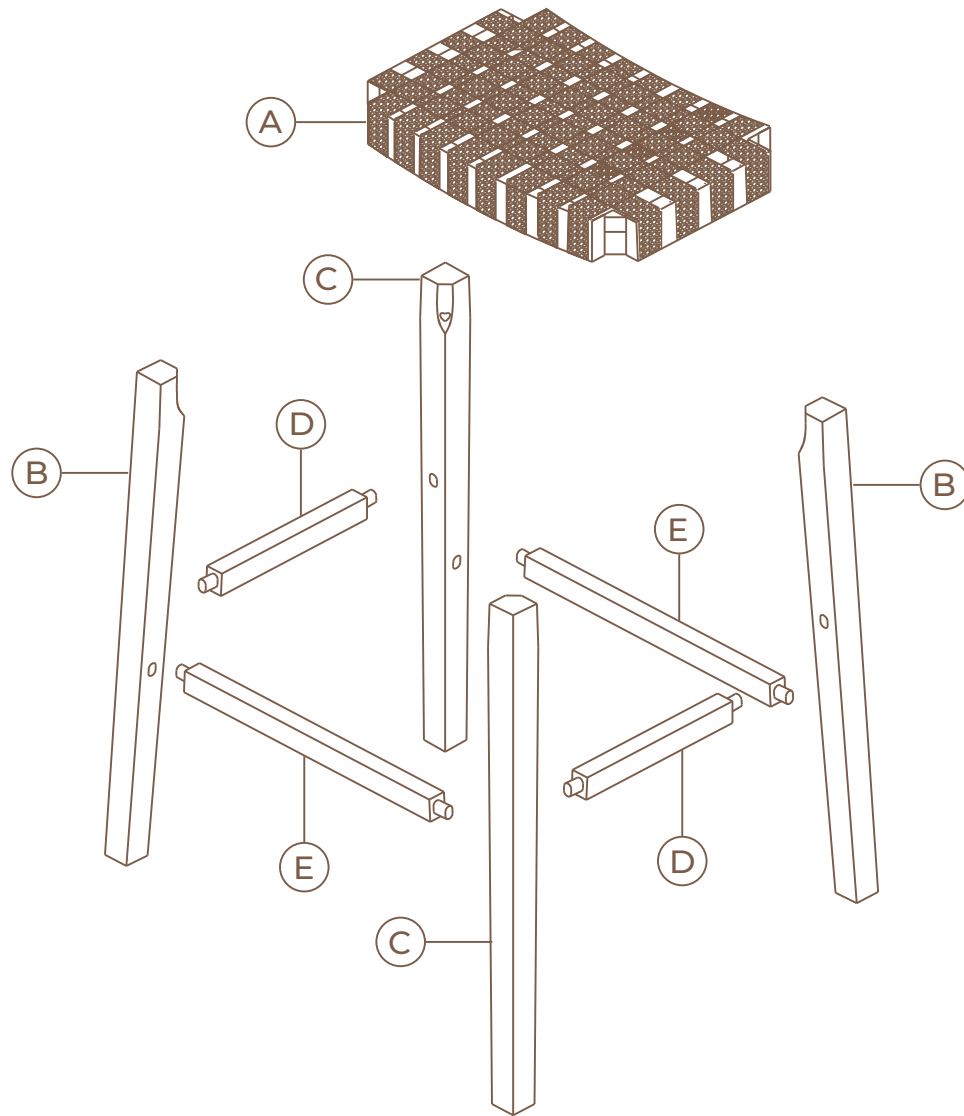



Allen Wrench  
(included)




Phillips Screwdriver  
(NOT included)

# PARTS LIST




**F**  Qty 4  
1/4"x55mm Bolt

**G**  Qty 4  
06x1.5mm

**K**  Qty 1  
White Glue

**H**  Qty 4  
06x019x1.5mm

**I**  Qty 8  
Screw 4x45mm

**J**  Qty 1  
Allen Wrench

  
Felt Pads

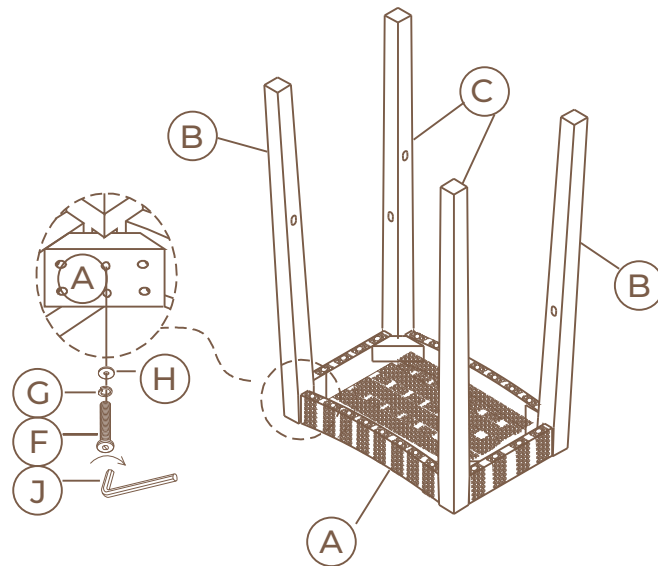
Scan for video instructions



# ASSEMBLY

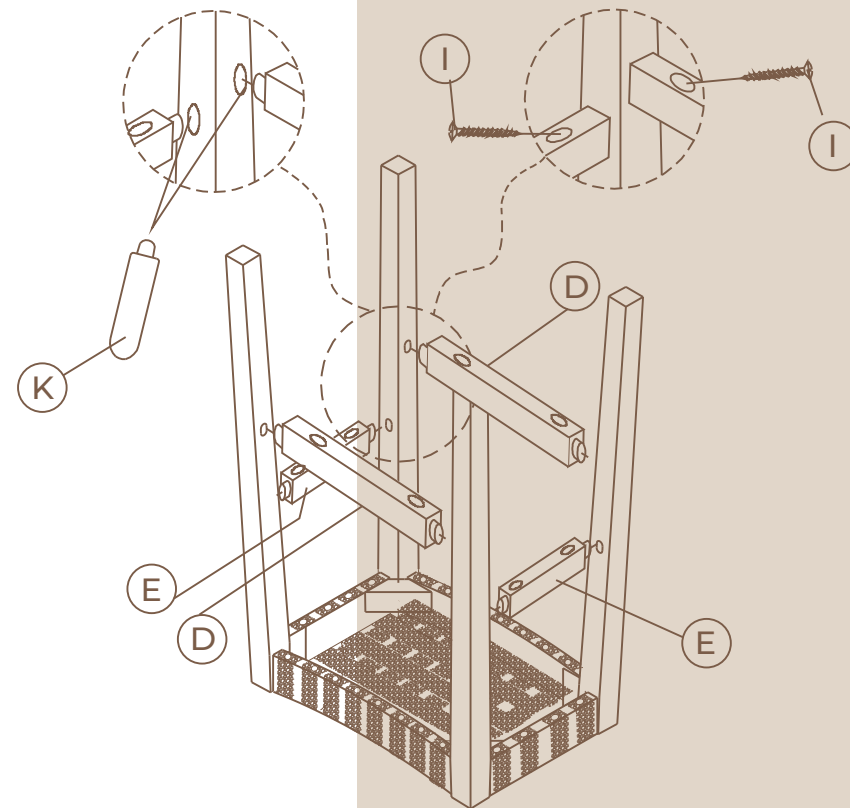
## STEP 1

Loosely attach legs B and C to seat frame A. Note B legs and C legs are located on diagonally opposite corners, respectively. Attach legs with bolts F, lock washers G, and flat washers H using Allen wrench J. Do not fully tighten yet. Note two bolts per leg.



## STEP 2

Apply wood glue (K) to the eight joint holes on legs (B) and (C). Insert short stretchers E and long stretchers D into the joint holes. Note position of pocket holes. When properly inserted and stool is turned upright, pocket holes face toward floor, hidden from view. Secure each stretcher with two screws (I) through the pocket holes into the legs.

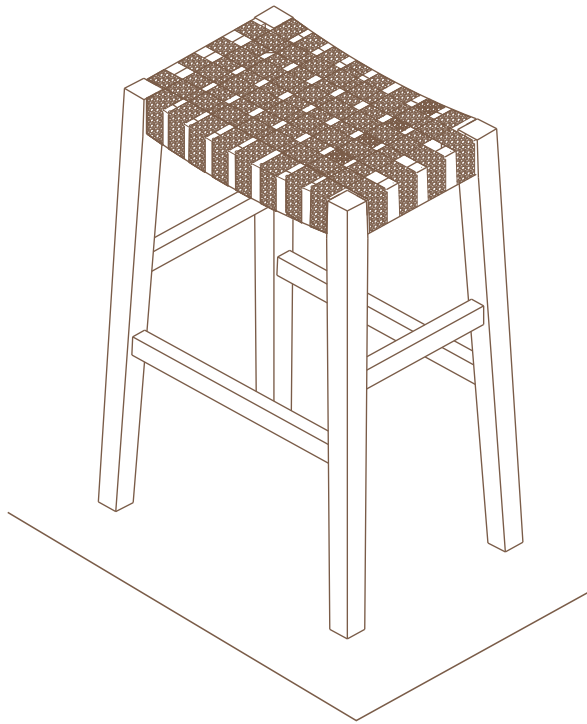


## ASSEMBLY

---

### STEP 3

Turn the chair over on a flat surface, align all 4 legs and tighten the bolts.



### STEP 4: Felt Pad Application (optional)

1. Wipe any dust from the surface for best adhesion
2. Gently peel the felt pad from the paper
3. Firmly apply a felt pad to each of the feet

