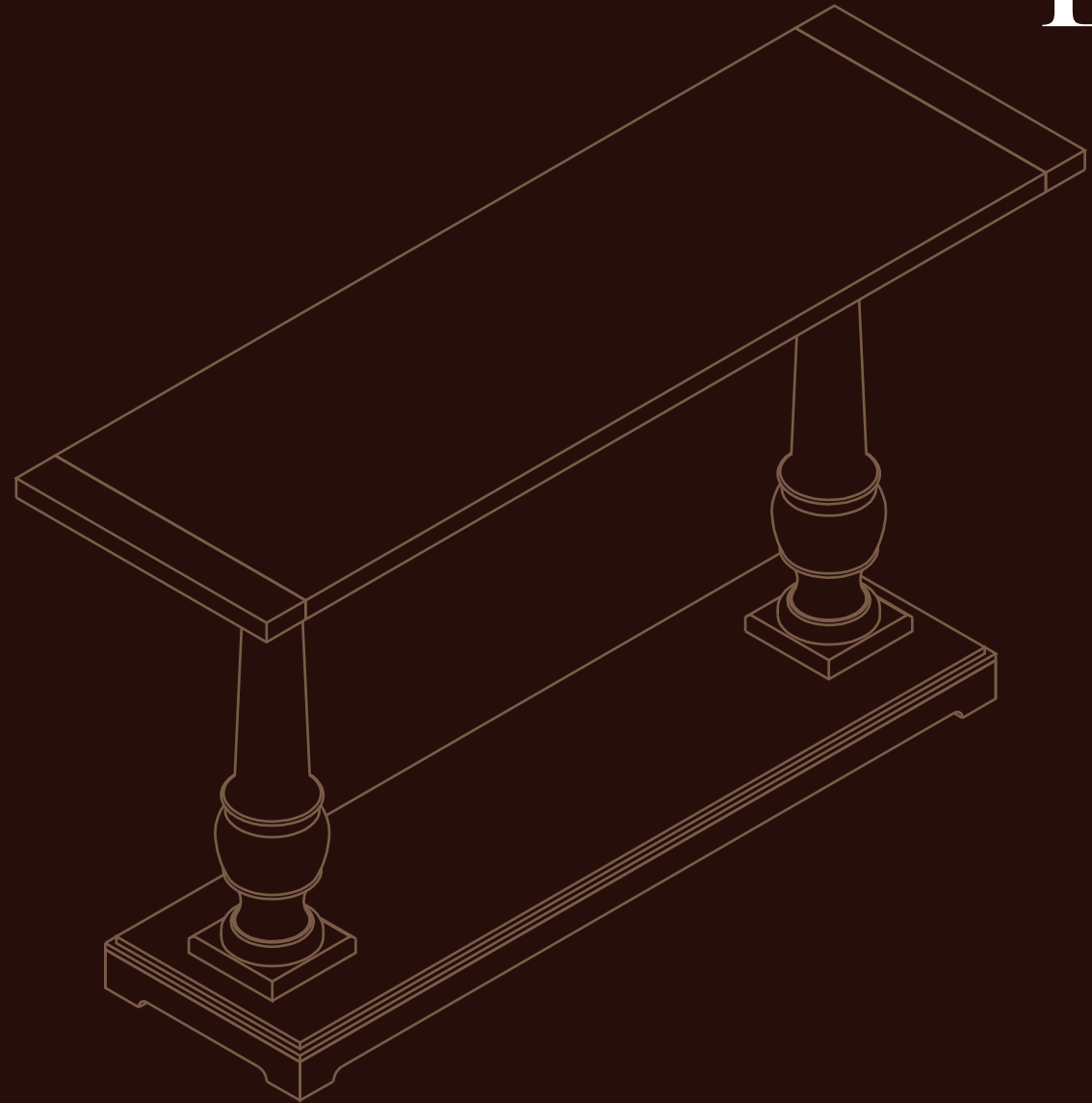


MFL

Classical
Arthur
CONSOLE TABLE



MAVENLANE.COM
@mavenlanehome

Classical Arthur Console Table



MAVEN LANE

ABOUT US

As unique individuals, we all have our own ways of expressing ourselves. Through expression, we open doors to new opportunities and communicate to the world.

At Maven Lane, we understand the profound impact that home design can have on personal expression. Our homes serve as our nests, reflecting our individual styles, personalities, and values. They are the spaces where we create meaningful memories and moments of comfort and peace.

With this in mind, we set out to bring the finest in design, materials, and customer service directly to our customers, all at an attainable price point. Whether you're seeking to elevate your mornings with a cozy sanctuary or host laughter-filled dinners with loved ones, we are dedicated to helping you create a space that truly reflects who you are and what you aspire to be.

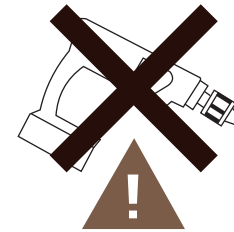
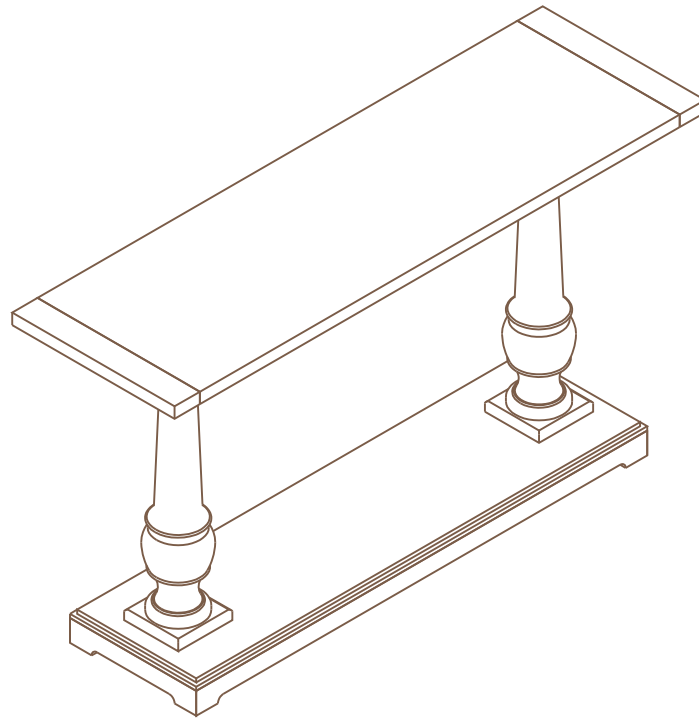
MAVENLANE.COM

 @mavenlanehome



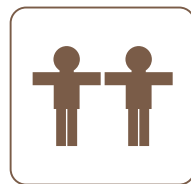
CLASSICAL ARTHUR CONSOLE TABLE

ASSEMBLY INSTRUCTIONS

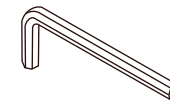


The use of power tools to assemble this product could lead to damage, making it unsafe

Please assemble on a clean, level surface to avoid damage and ensure proper assembly

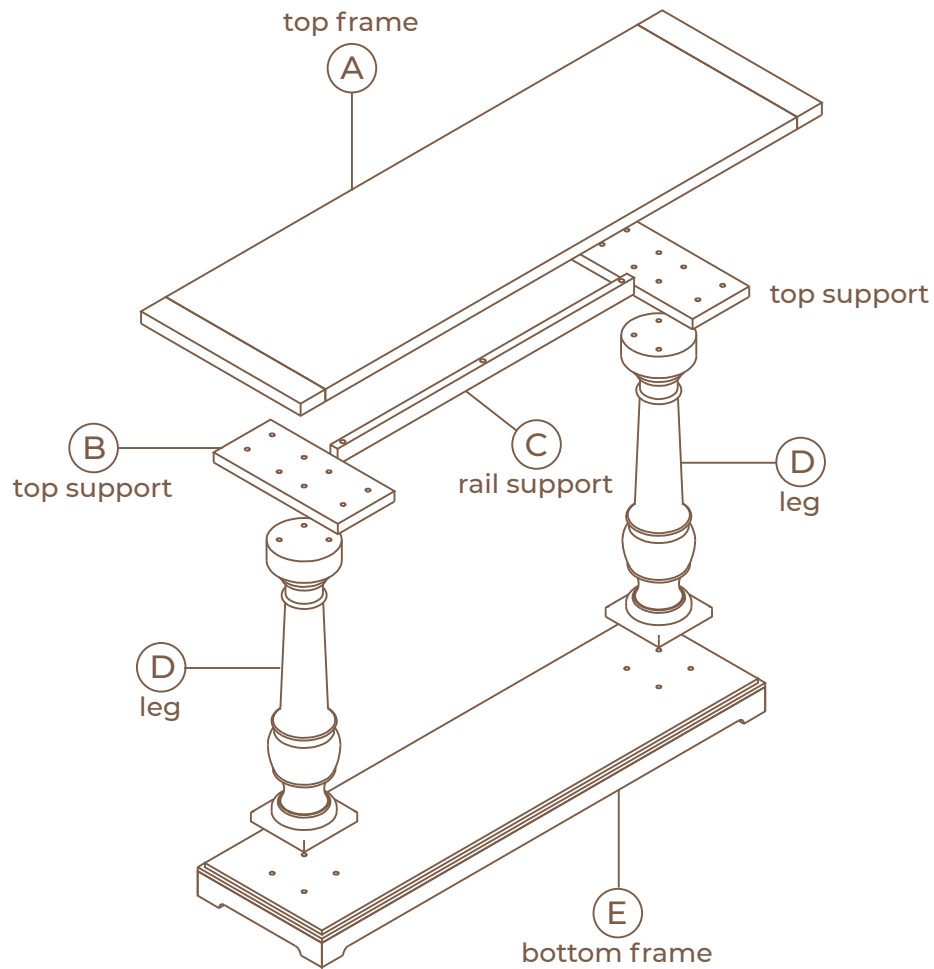



Tools Required




Allen Wrench
(included)


PARTS LIST



F  Qty 24
1/4"x40mm Bolt

G  Qty 3
1/4"x55mm Bolt

H  Qty 27
1/4"x1.5mm

I  Qty 27
1/4"x1.5mm

J  Qty 1
Allen Wrench


Felt Pads

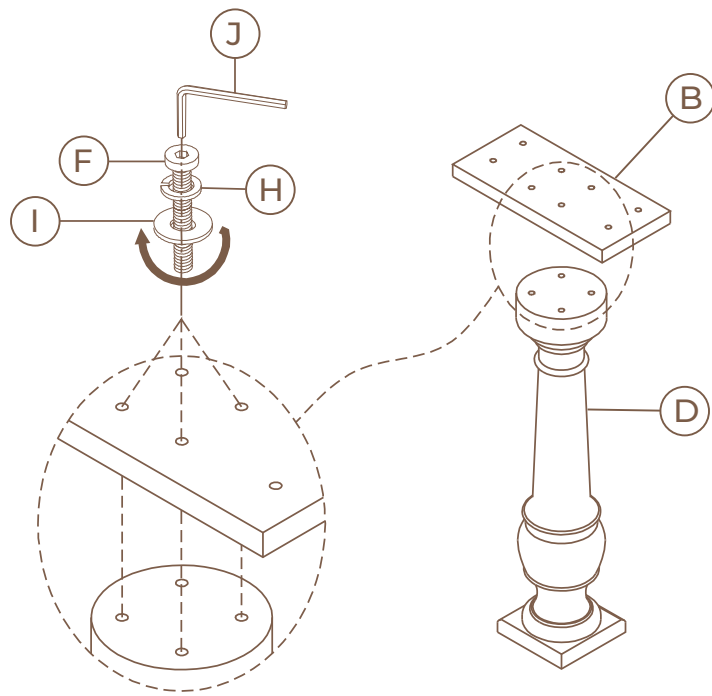
Scan for video instructions



ASSEMBLY

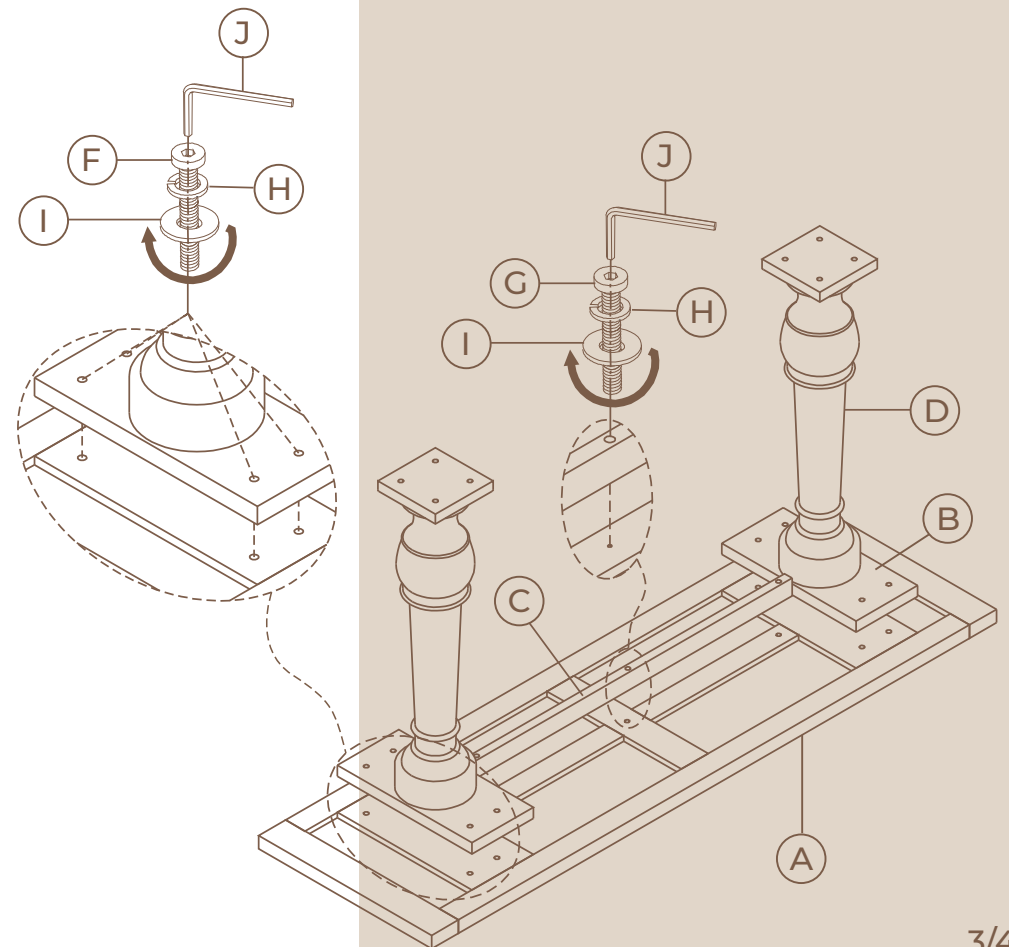
STEP 1

Insert top support B into the leg D with bolts F, lock washers H and flat washers I using allen wrench J. Fully tighten bolt F.



STEP 2

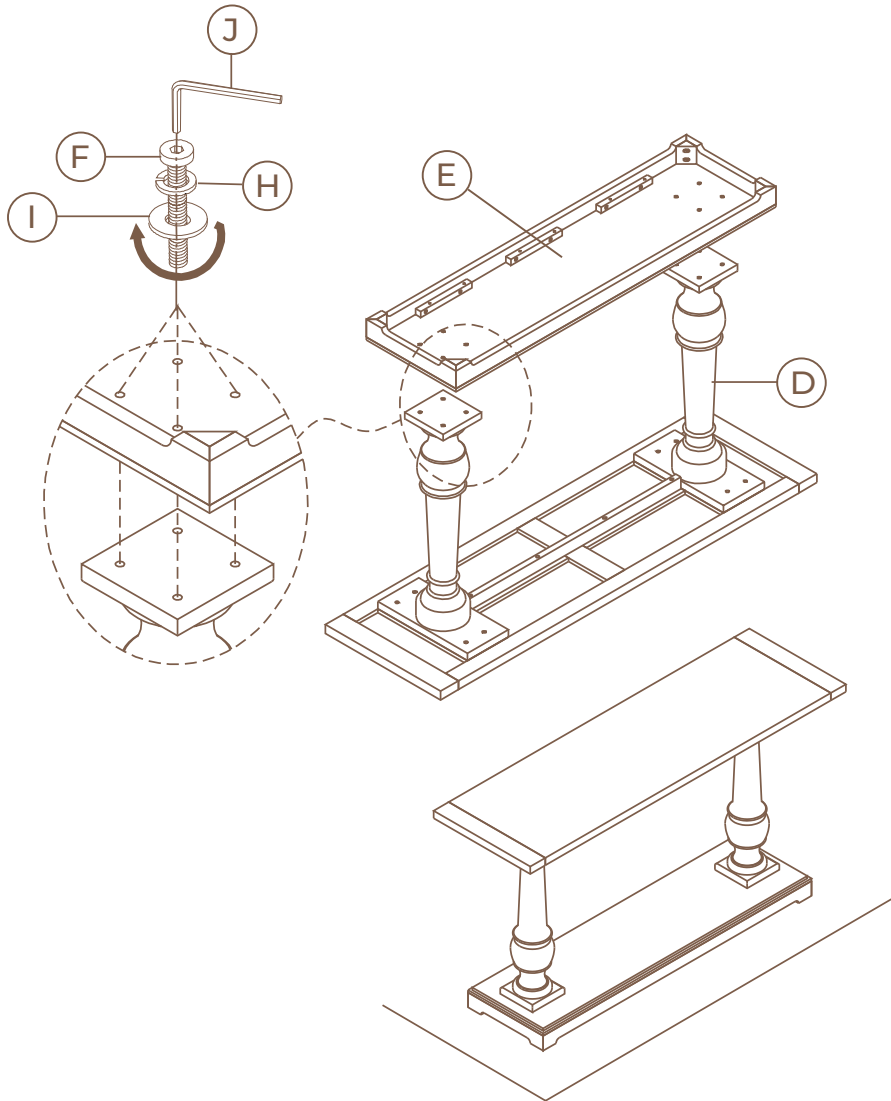
Insert rail support C into the top frame A with bolts G, lock washers H and flat washers I using allen wrench J. Fully tighten all bolts G. Insert top support B into the top frame A with bolts F, lock washers H and flat washers I using allen wrench J. Do not fully tighten yet.



ASSEMBLY

STEP 3

Insert bottom frame E into leg D with bolts F, lock washers H and flat washers I using allen wrench J. Fully tighten all bolts F.



STEP 4: Felt Pad Application (optional)

1. Wipe any dust from the surface for best adhesion
2. Gently peel the felt pad from the paper
3. Firmly apply a felt pad to each of the feet

