



MFL



MAVENLANE.COM

Alexander Backless Stool



## ABOUT US

As unique individuals, we all have our own ways of expressing ourselves. Through expression, we open doors to new opportunities and communicate to the world.

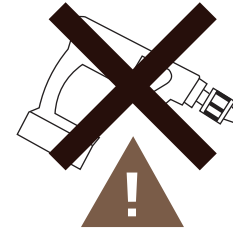
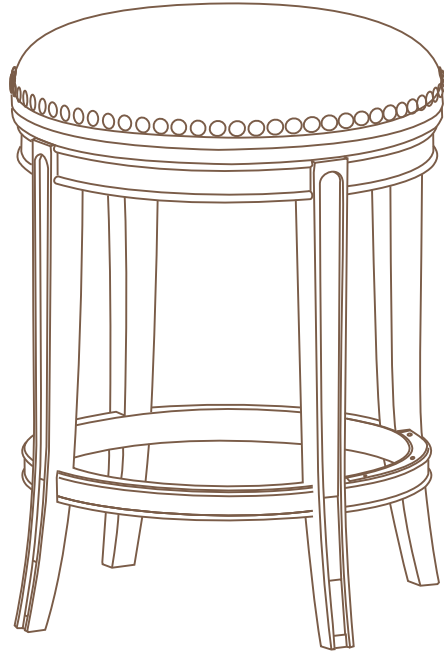
At Maven Lane, we understand the profound impact that home design can have on personal expression. Our homes serve as our nests, reflecting our individual styles, personalities, and values. They are the spaces where we create meaningful memories and moments of comfort and peace.

With this in mind, we set out to bring the finest in design, materials, and customer service directly to our customers, all at an attainable price point. Whether you're seeking to elevate your mornings with a cozy sanctuary or host laughter-filled dinners with loved ones, we are dedicated to helping you create a space that truly reflects who you are and what you aspire to be.



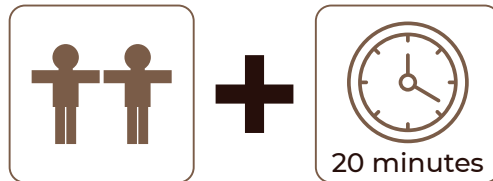
# ALEXANDER BACKLESS STOOL (COUNTER & BAR HEIGHT)

## ASSEMBLY INSTRUCTIONS

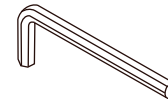


The use of power tools to assemble this product could lead to damage, making it unsafe

Please assemble on a clean, level surface to avoid damage and ensure proper assembly

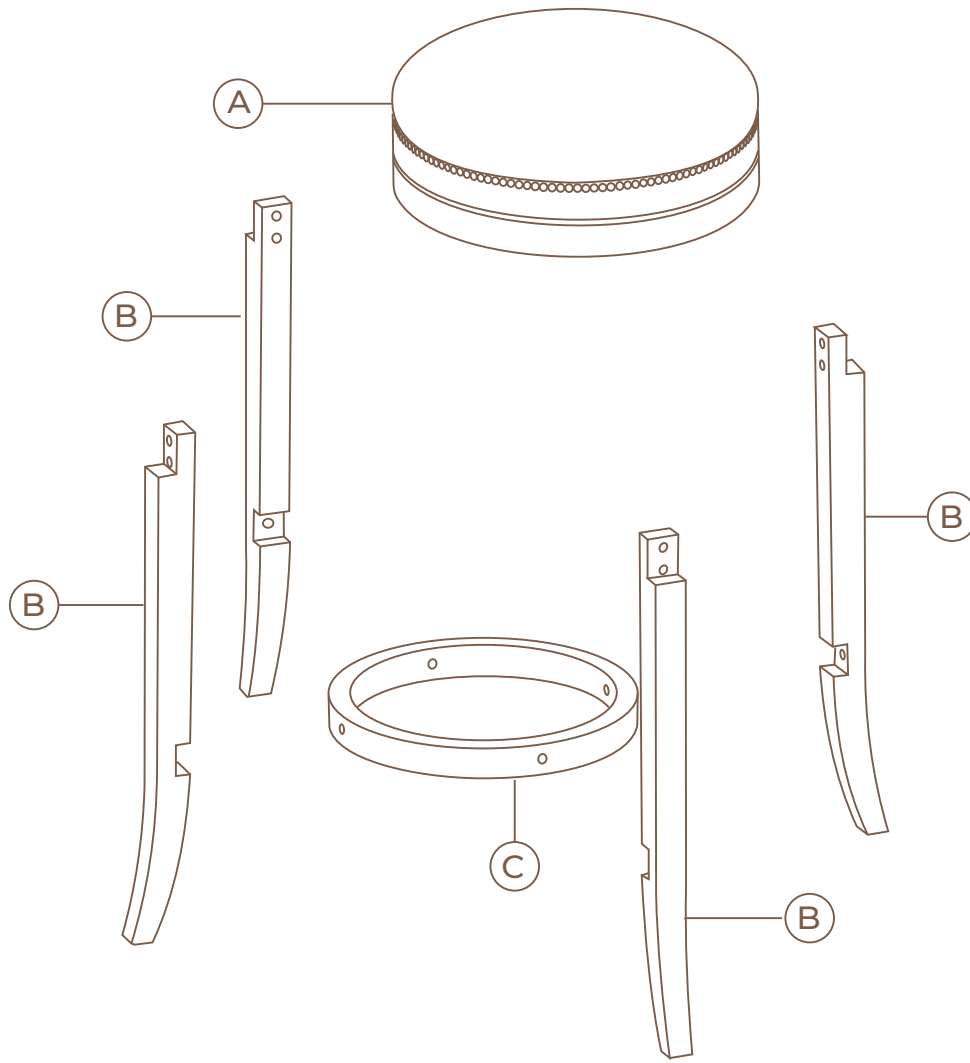


### Tools Required



Allen Wrench  
(included)

# PARTS LIST



D  Qty 4  
1/4"x20x35mm Bolt

G  Qty 1  
Allen Wrench

E  Qty 12  
1/4"x09x1.5mm

H  Qty 8  
1/4"x20x60mm Bolt

F  Qty 12  
1/4"x016x1.5mm

Scan for video instructions



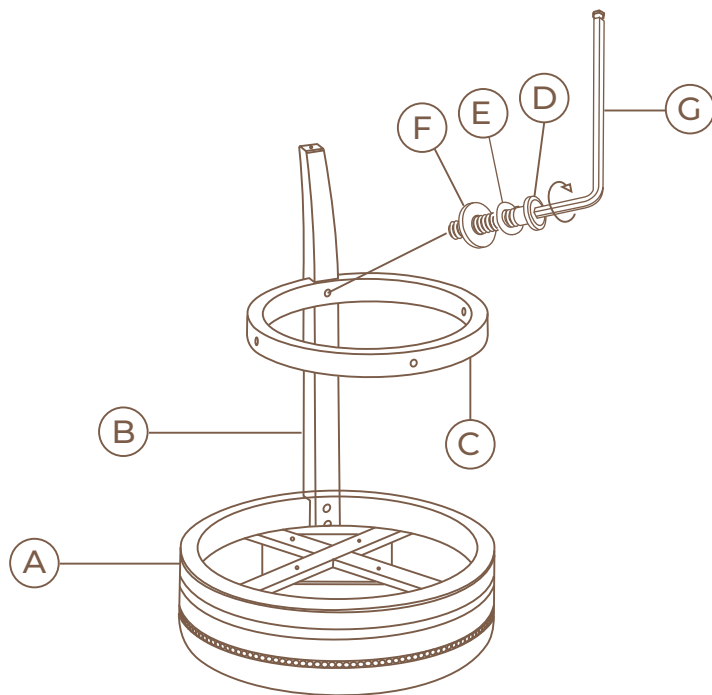
# ASSEMBLY

## STEP 1

Attach leg (B) to the cushion (A) using bolts (H), lock washers (E), and flat washers (F). Then, attach the foot rest (C) to the leg using bolts (D), lock washers (E), and flat washers (F).

*note:*

*Do not fully tighten bolts until the end*



## STEP 2

Repeat the process to attach the remaining legs (B) to the seat (A) and foot rest (C). Once attached, fully tighten all bolts.

*note:*

*Please ensure you are using bolts (H) on the seat, and bolts (D) on the foot rest*

