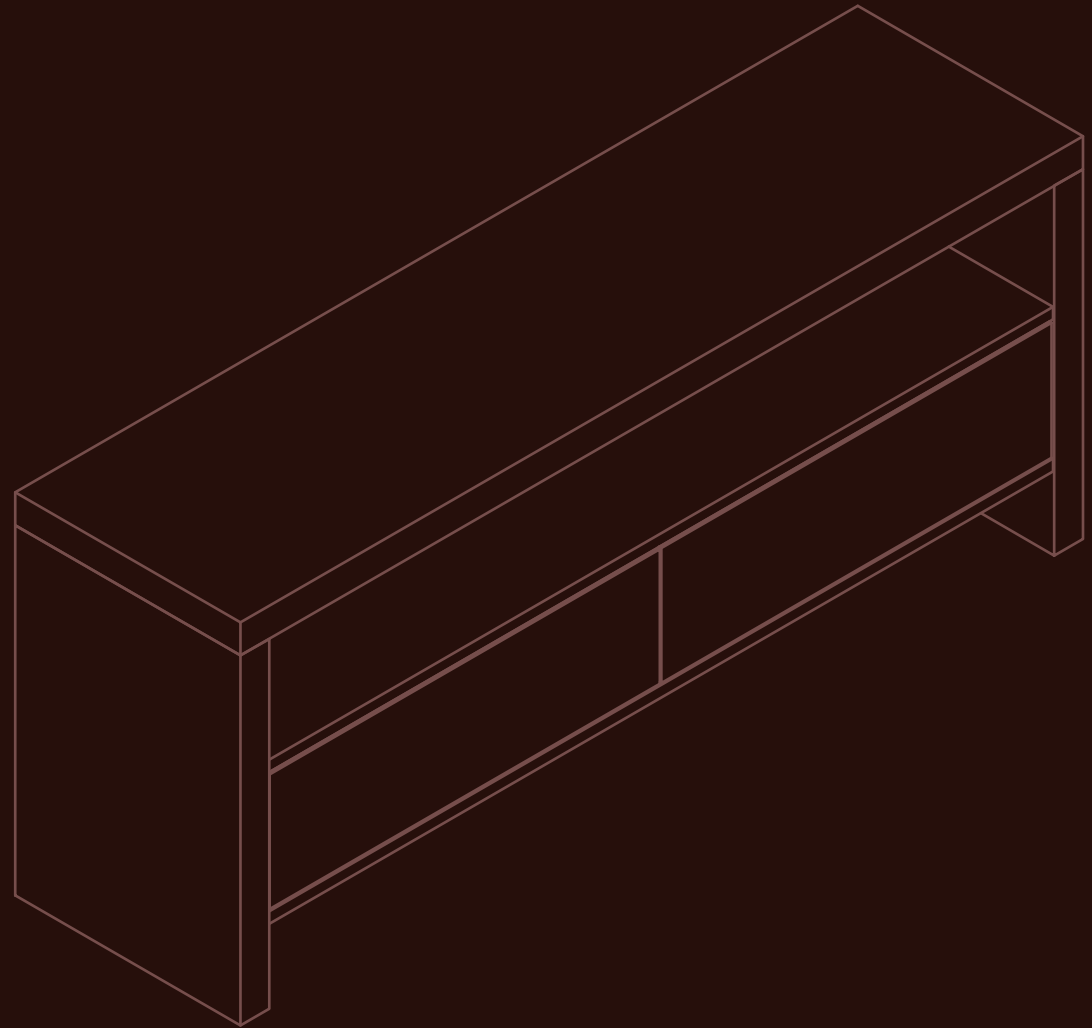


Contemporary
Ada
Media Unit

MFL



MAVENLANE.COM

@mavenlanehome

Contemporary Ada Media Unit



ABOUT US

As unique individuals, we all have our own ways of expressing ourselves. Through expression, we open doors to new opportunities and communicate to the world.

At Maven Lane, we understand the profound impact that home design can have on personal expression. Our homes serve as our nests, reflecting our individual styles, personalities, and values. They are the spaces where we create meaningful memories and moments of comfort and peace.

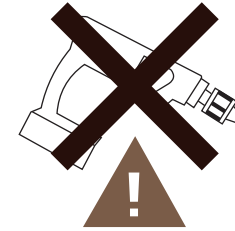
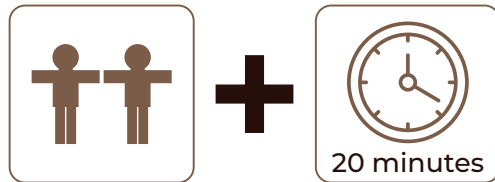
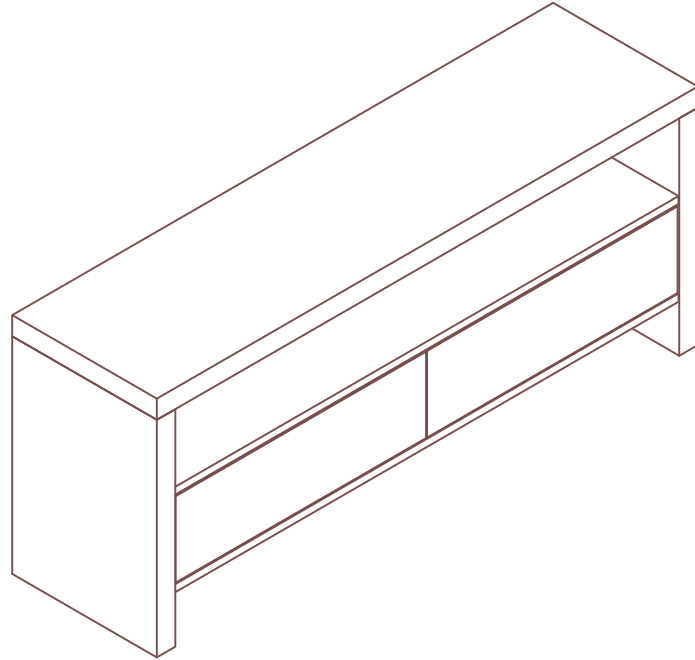
With this in mind, we set out to bring the finest in design, materials, and customer service directly to our customers, all at an attainable price point. Whether you're seeking to elevate your mornings with a cozy sanctuary or host laughter-filled dinners with loved ones, we are dedicated to helping you create a space that truly reflects who you are and what you aspire to be.

MAVENLANE.COM

 @mavenlanehome



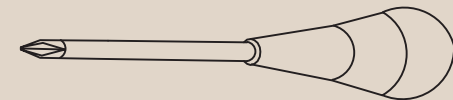
ASSEMBLY INSTRUCTIONS



The use of power tools to assemble this product could lead to damage, making it unsafe

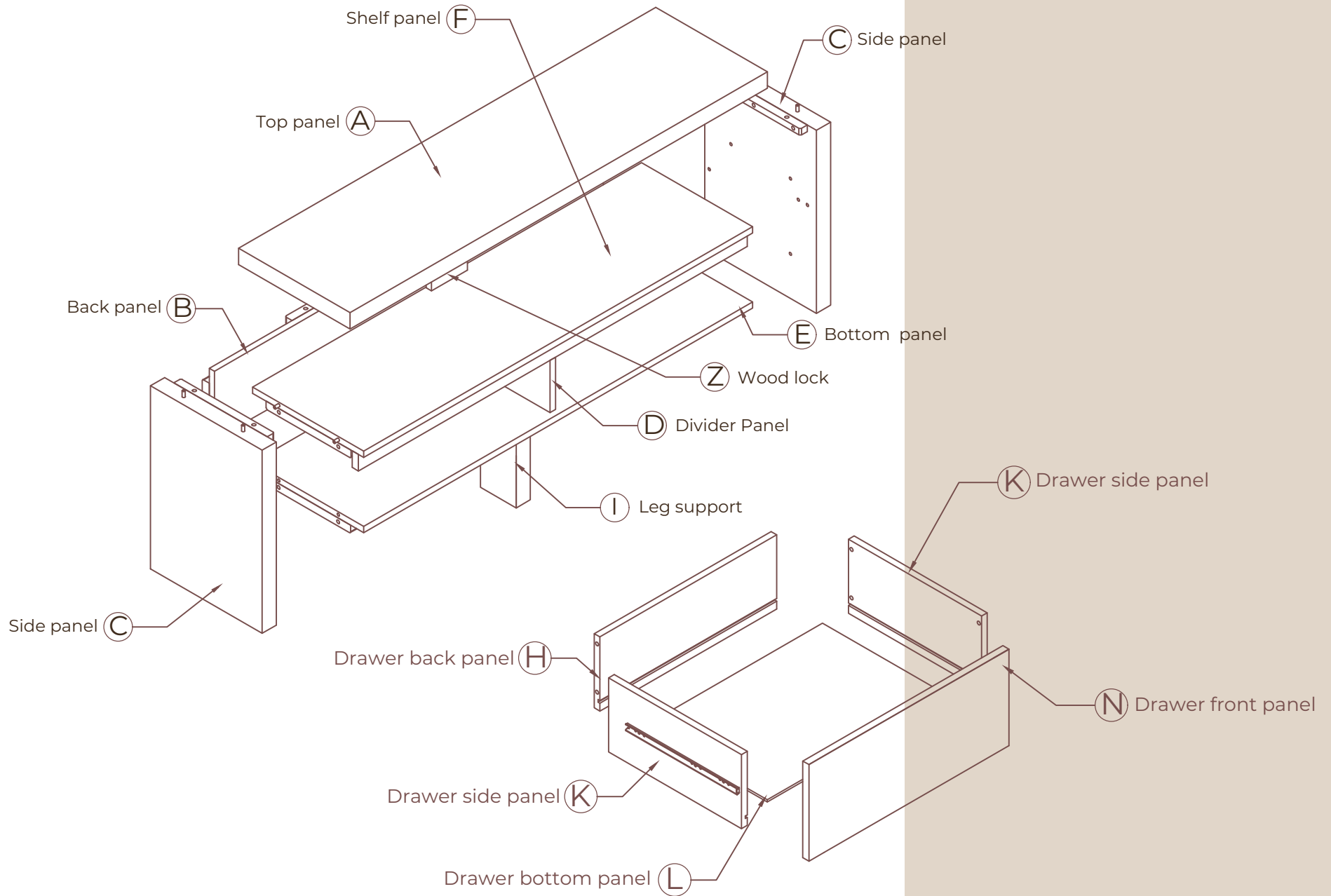
Please assemble on a clean, level surface to avoid damage and ensure proper assembly

Tools Required

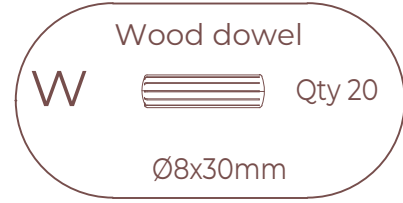
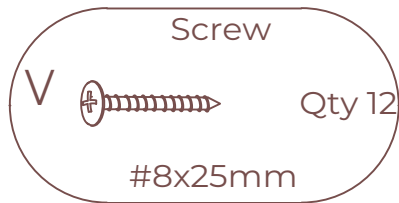
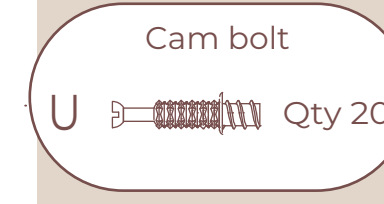
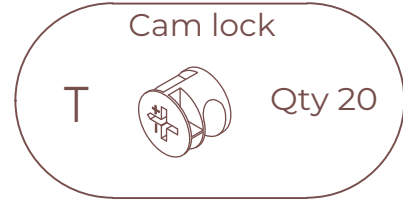
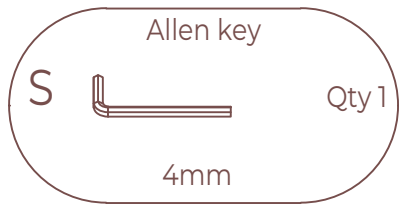
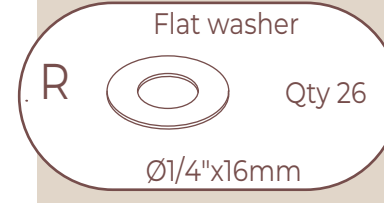
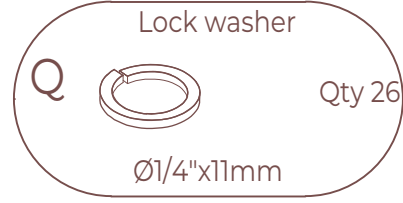
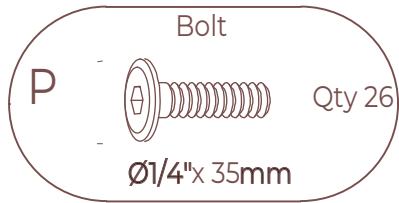


(Not included)

PARTS LIST



PARTS LIST



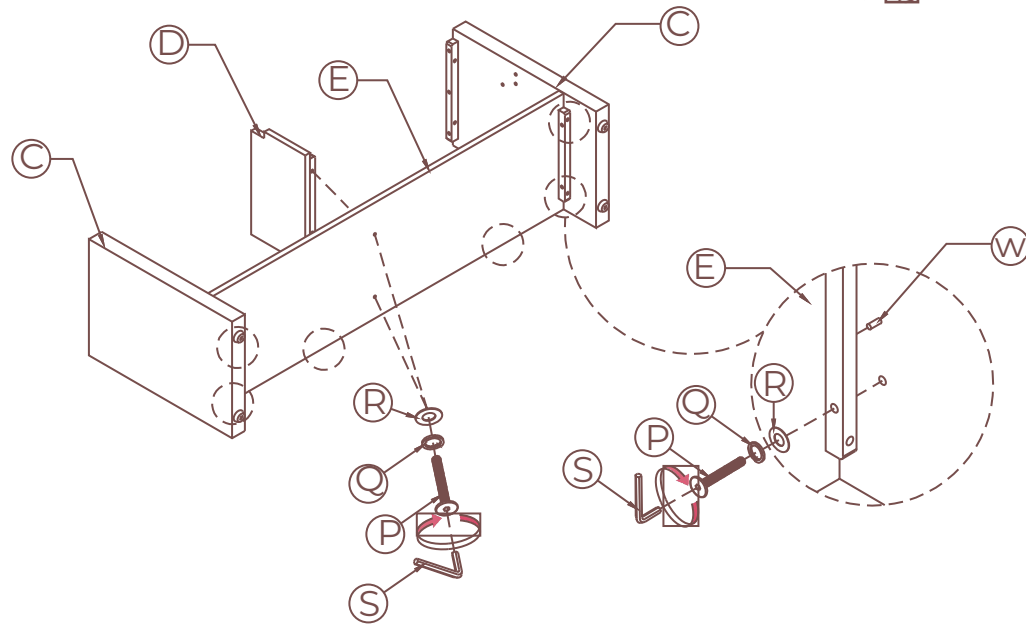
Scan for video instructions



ASSEMBLY

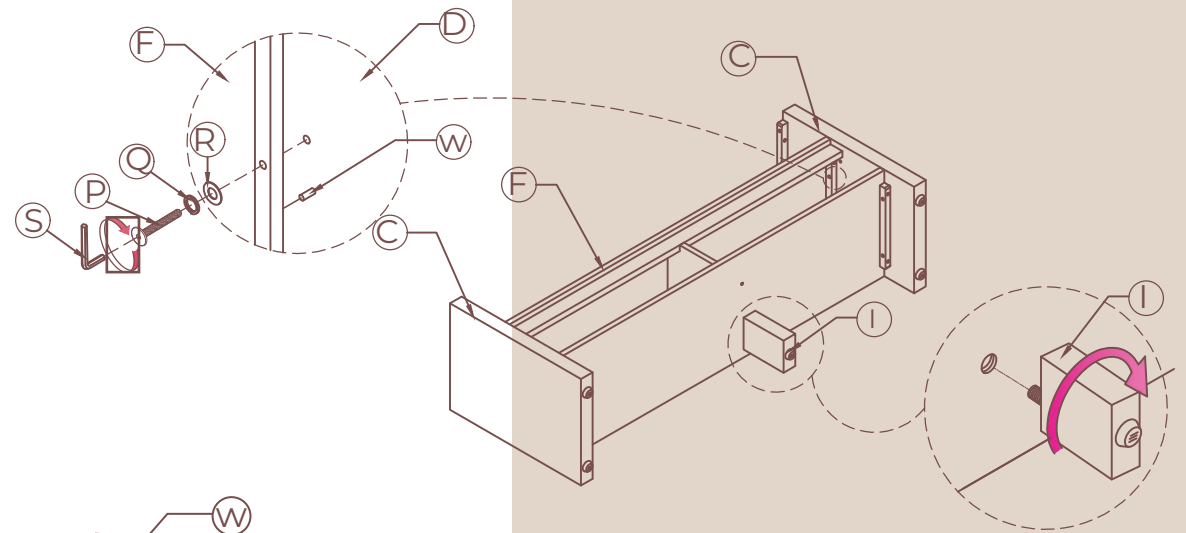
STEP 1

Insert the Bottom panel E to Side panels C using Wood dowels W, Bolts P, Lock washers Q, Flat washers R, and Allen key S Insert the Divider panel D to Bottom panel E using Wood dowels W, Bolts P, Lock washers Q, Flat washers R, and Allen key S. Do not fully tighten yet.



STEP 2

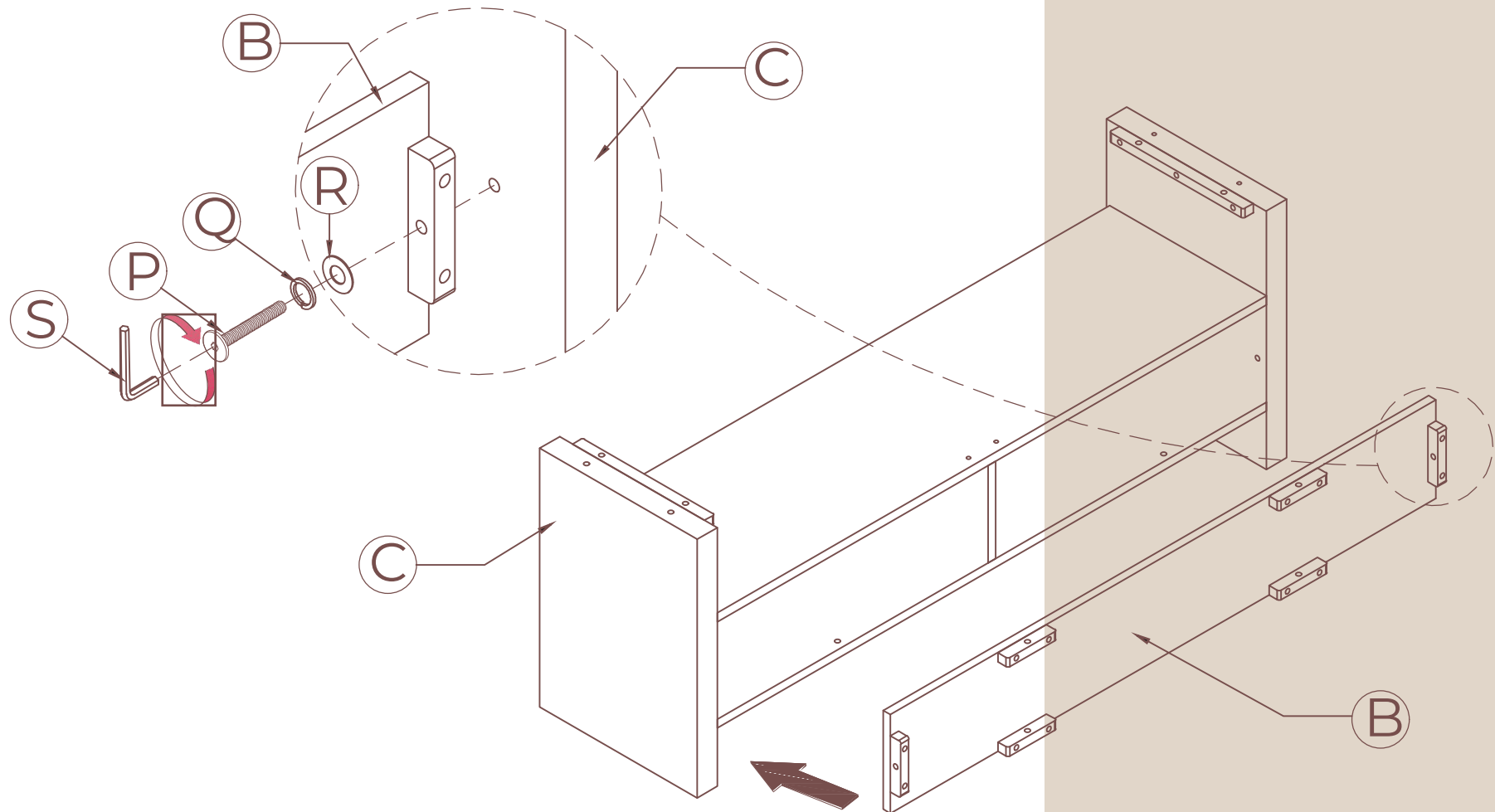
Insert the Shelf panel F to Side panels C and Divider panel D using Wood dowels W, Bolts P, Lock washers Q, Flat washers R, and Allen key S. Do not fully tighten yet. Screw the Leg support I into the bottom of Bottom panel E.



ASSEMBLY

STEP 3

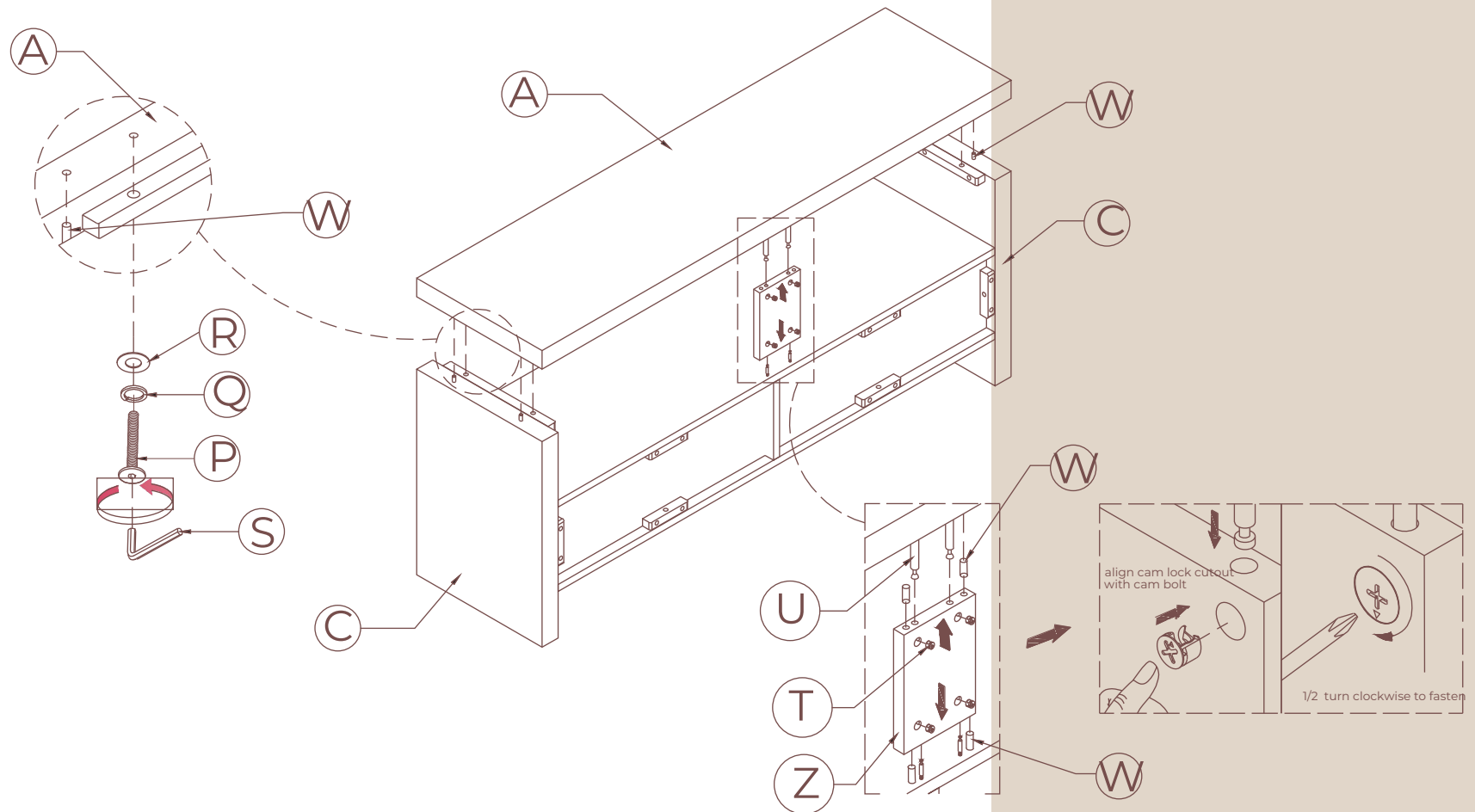
Insert the Back panel B to Side panels C, Shelf panel F, and Bottom panel E using Bolts P, Lock washers Q, Flat washers R, and Allen key S. Do not fully tighten yet



ASSEMBLY

STEP 4

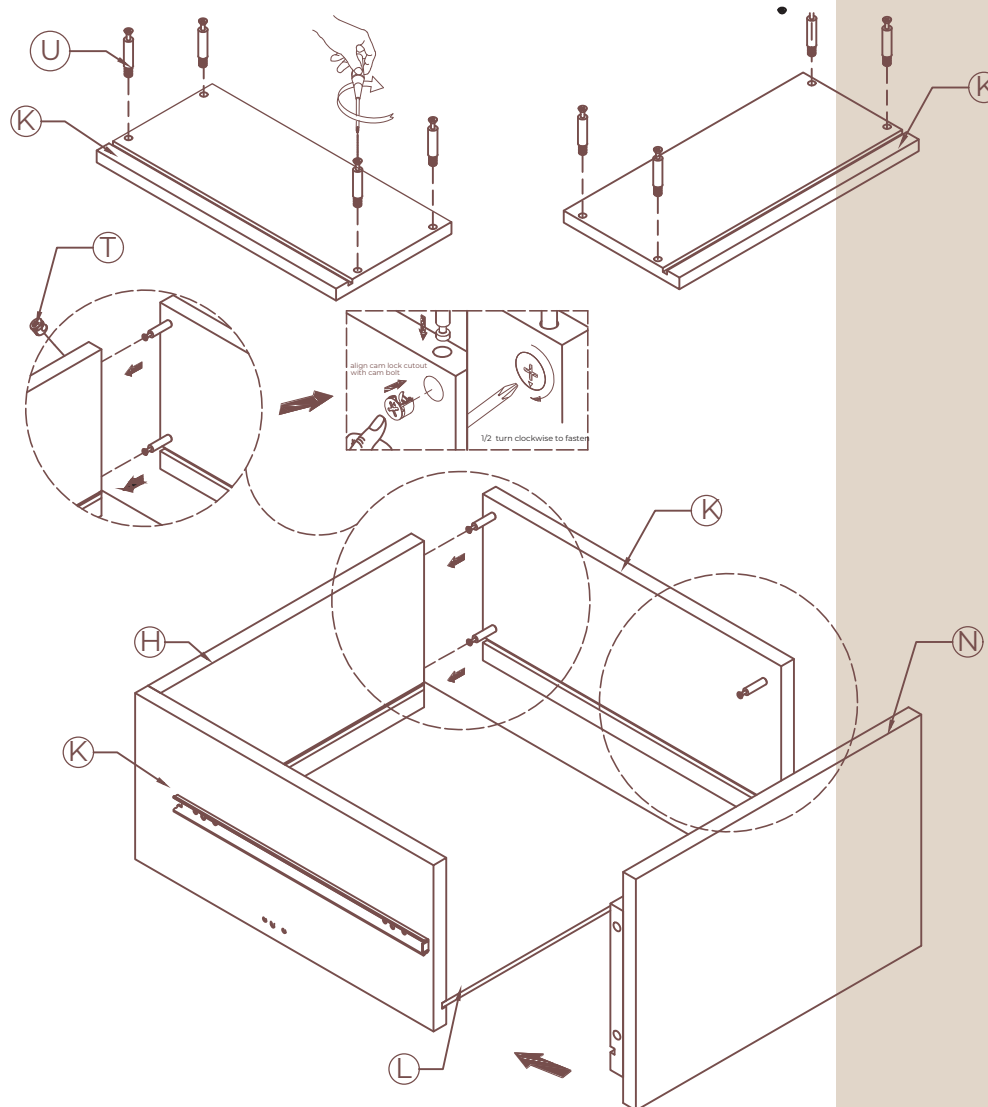
Insert the Wood lock Z to shelf panel F using Wood dowels W, Cam bolts U, Cam locks T, and Screwdriver
Insert the Top panel A to Side panels C, Wood lock Z using Wood dowels W, Bolts P, Lock washers Q, Flat washers R, and Allen key S, Fully tighten all Bolts P from Step 1,2,3 and 4 .



ASSEMBLY

STEP 5

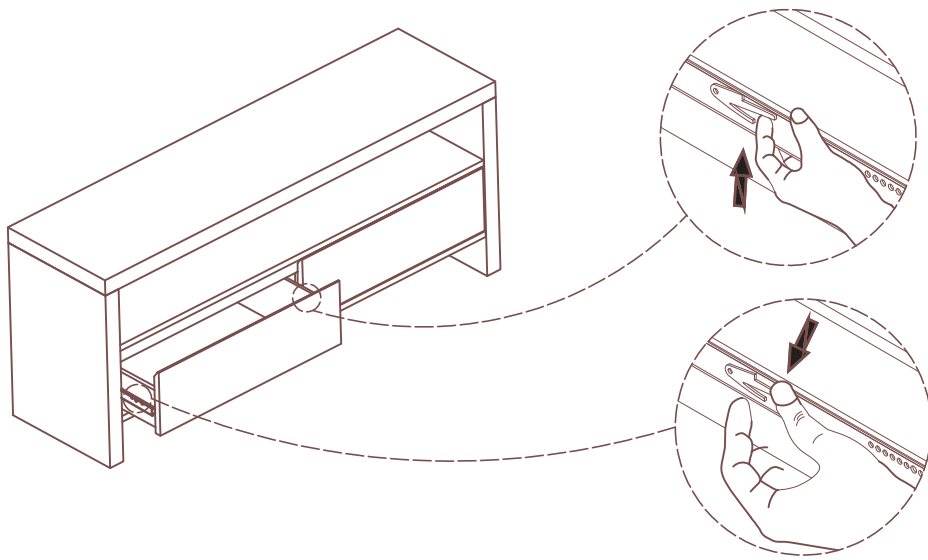
Insert the Drawer bottom panel L to Drawer back panel H, Drawer side panels K, and Drawer front panel N using Cam bolts, Cam locks U, and Screwdriver.



ASSEMBLY

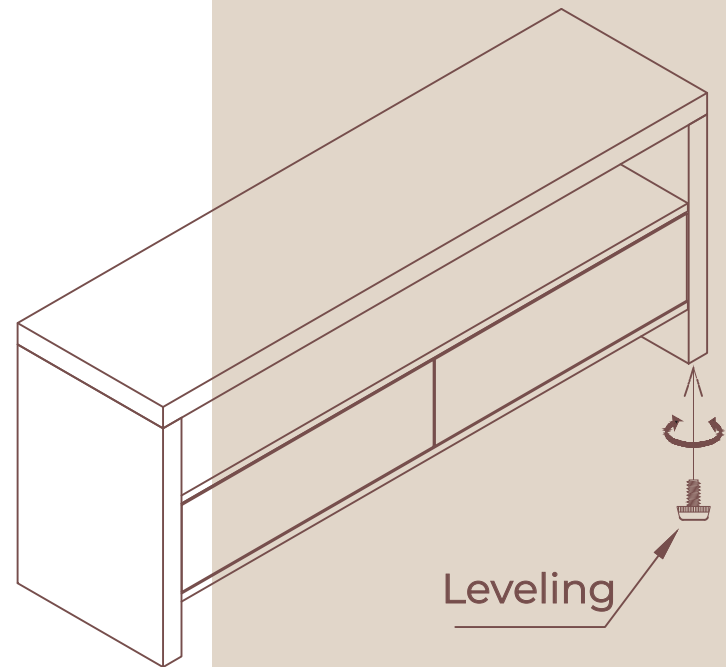
STEP 6

Install the Drawers to Media Unit

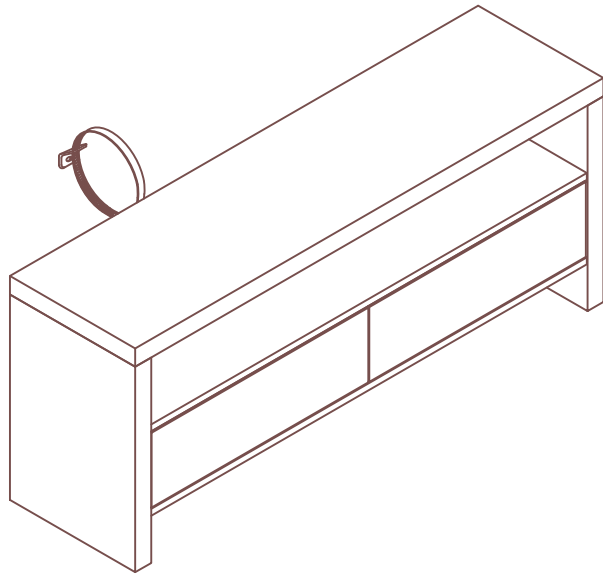


STEP 7

Put the Media Unit on a flat, level surface. Assembly complete



ASSEMBLY



STEP 8: Felt Pad Application (optional)

1. Wipe any dust from the surface for best adhesion
2. Gently peel the felt pad from the paper
3. Firmly apply a felt pad to each of the feet

