



Applications: Outdoor, sports ground, wall pack, square, advertisement board, parking lot.

1. Lamp Specification

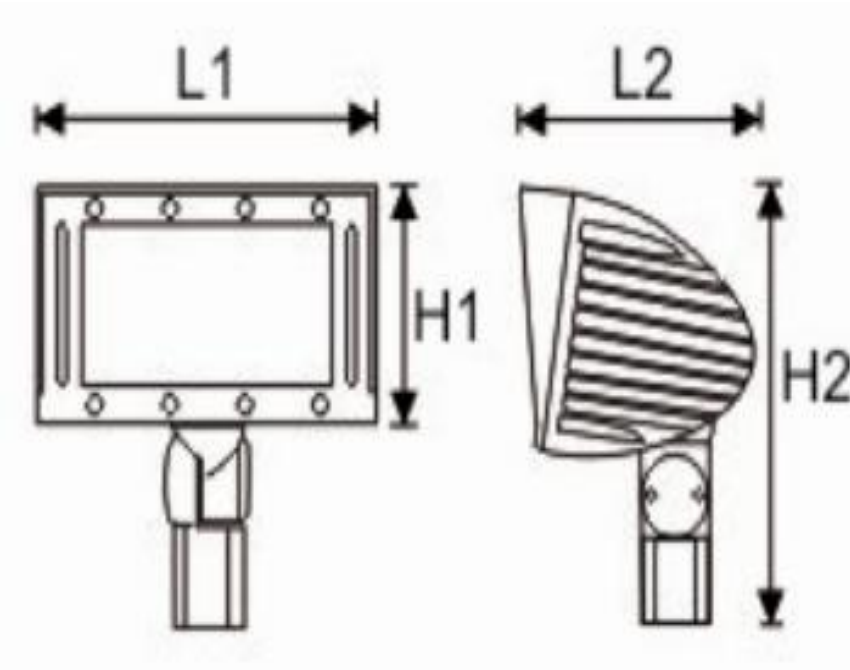
ITEM	FLL-70804-XX
Input Voltage Range	180 -520VAC
Frequency Range	47Hz~63Hz
Power Factor	>0.95
LED Chips Brand/ Type	PHILIPS SMD 3030
Lamp Consumption	80 -82W
Led Luminous Efficiency	>120lm/W
Color Temperature	Detail information refer to above LED parameters table
Color Rendering Index	Ra>80
Beam angle	120°
Housing Materials	Aluminum + Tempered glass
LED Junction Temperature	70°C
Working Temperature	-25°C ~ +50°C
Working Life-span	>50000Hr
Protection Level	IP65
Certificate	UL&CUL, DLC, SAA, FCC , CE RoHS
Power line	UL SJTW 3G18AWG

2. LED Parameters table

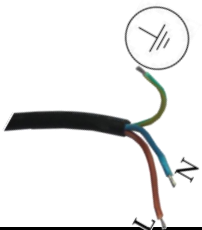
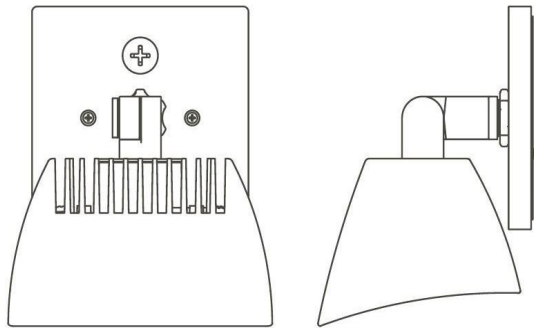
Item	Test condition	Min	Type	Max	Unit
Rated Current	/	/	1.9	2.1	A
Forward Voltage	IF=0.15~0.16	38	42	46	V
Color temperature	Warm White	IF=0.15~0.16	2700-3500		K
	Natural White	IF=0.15~0.16	4000-4500		K
	Pure White	IF=0.15~0.16	5000-5500/ 5700		K
	Cool White	IF=0.15~0.16	6000-8000		K
LED heat resistance	/	/	6	/	°C/W
Normal Working Junction Temp	IF=0.3~0.32	/	69	90	°C
LED Luminous Efficiency	IF=0.3~0.32	100	125	145	Lm/W

3.Lamp Size

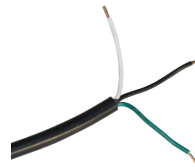
H1=7.87 H2=14.57 L1=12.6 L2=9.84



4.Install the lampshade with the fixed screw.



The Brown line is "L", the white blue is "N", the green line is "Ground".



The Black line is "L", the white line is "N", the green line is "Ground".

Exxon Lighting Corporation

Tel: +1-800-769-3221
www.exxonlighting.com

Fax: 1-866-619-0925
E-mail: sales@exxonlighting.com