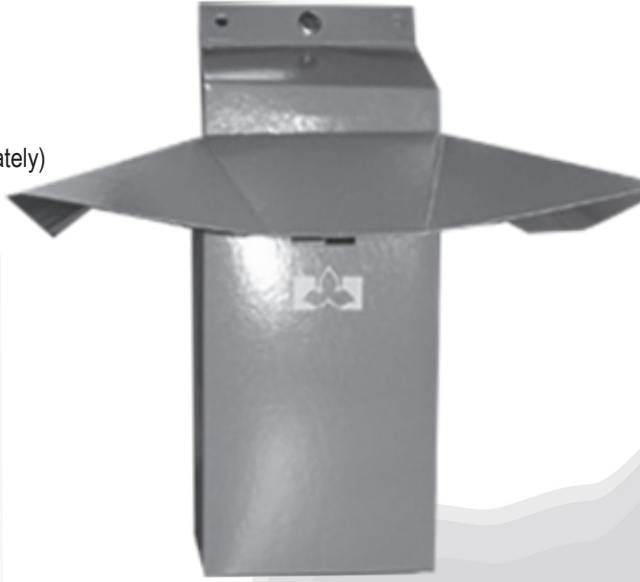


GYPHY MOTH MILK-CARTON TRAP ASSEMBLY INSTRUCTIONS

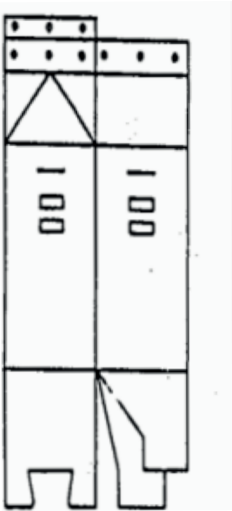
Product No 2050500

Components:

- A.** Trap body
- B.** Trap hood
- C.** Brass pins
- D.** Pheromone lure (sold separately)
- E.** Sticky liner



A



B



C



D

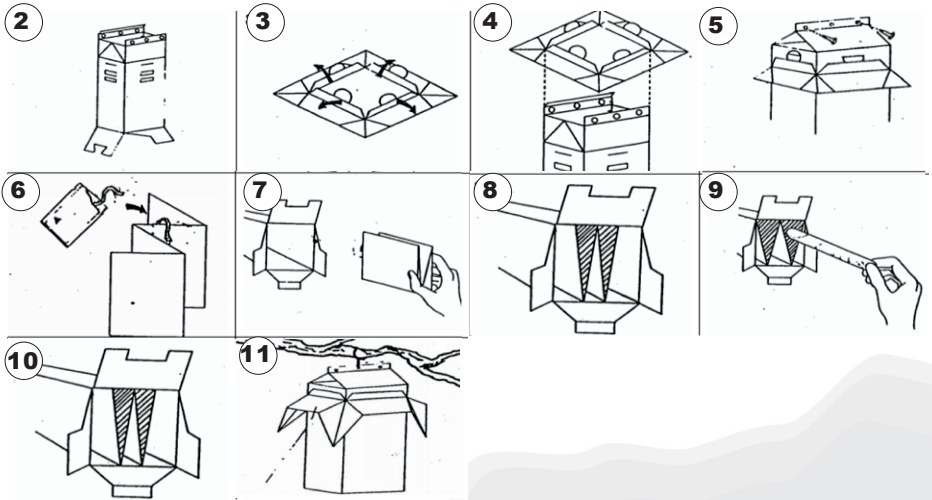


E

distributions
SOLIDA
Inc.

www.solida.ca
418-826-0900
info@solida.ca

GYPSY MOTH MILK-CARTON TRAP ASSEMBLY INSTRUCTIONS



1. Make sure all paper inserts (sides and holes on top) are popped out. When using to monitor Box Tree Moth, cut the two side openings to make one larger square opening.
2. Twist trap body until bottom panel locks into closed (down) position.
3. Hold hood down with green side up. Crease flaps with half moon tabs in center up 90°.
4. Slide hood over trap body and fit half moon tabs into corresponding slits, pushing all the way to lock in position.
5. Insert brass fasteners into the outer two holes at the top of the carton. Fold down fastener legs to lock into position.
6. Remove one pheromone stringlure from sealed pouch and place on one end of the sticky surface of the liner.
7. Slide sticky liner into the trap body, so the end with the pheromone is at the top of the trap.
- 8-9. Place liner so it is unfolded as far as it will go.
10. Close and lock trap flaps in position.
11. Hang trap.