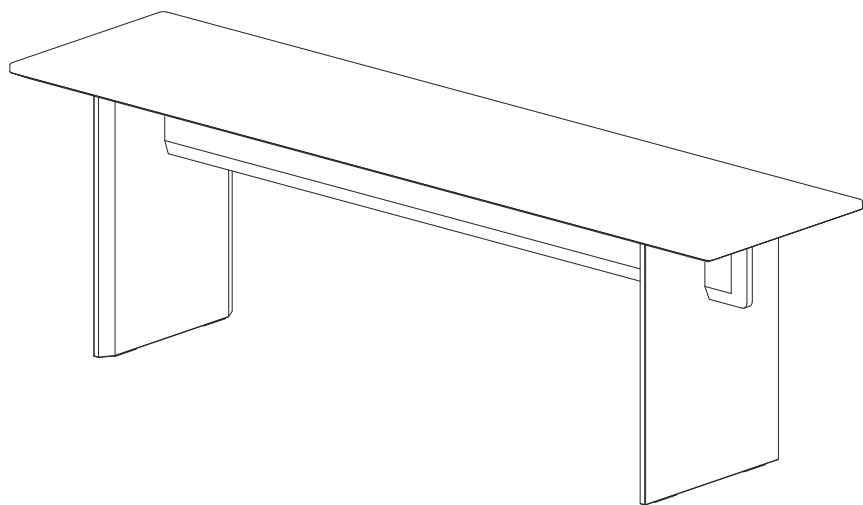


BUILDING INSTRUCTIONS

CONTOUR BENCH 140



IMPORTANT NOTICE

Only use the listed tools. Do **not** use power tools. Tighten in accordance with the building instructions. Avoid over-tightening. There is no need for strong force.

When unpacking your furniture, make sure to place all parts on a soft underlay to prevent scratches and to protect the floor.

PRODUCT INFORMATION

'Contour Bench' is designed and manufactured for **indoor use**.

Materials

Bench top: Solid wood

Base components: Solid wood

Surface treatment: Hardwax-Oil wood finish derived from natural vegetable oils and waxes

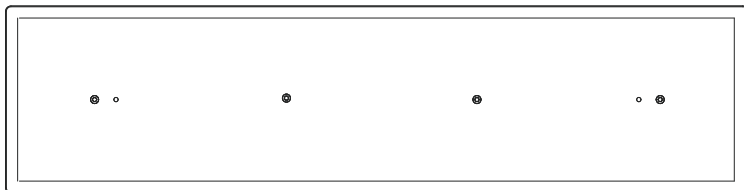
Fittings: Steel

Weight

12.5 kg

COMPONENTS

1x bench top



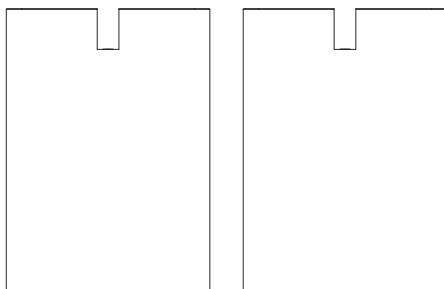
1x stretcher



2x screws (65mm)



2x leg



4x screws (120mm)



6x washers

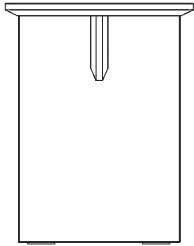


1x allen key*



*Optional item selected by customer

DIMENSIONS

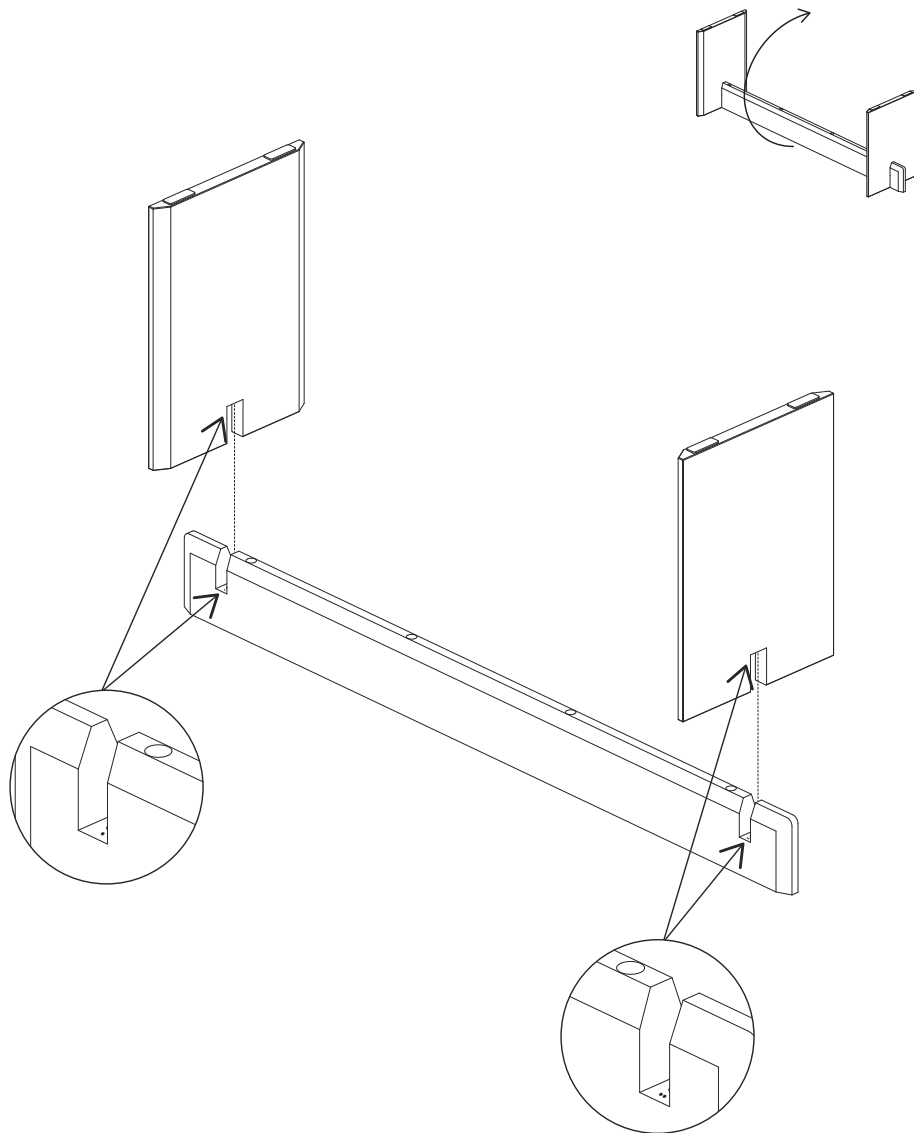


35cm



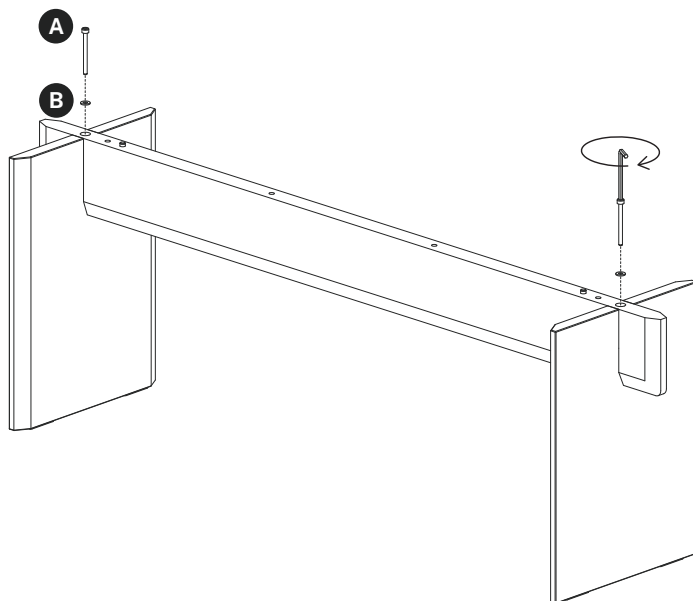
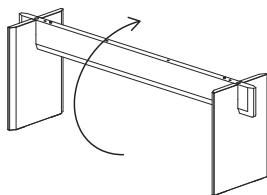
43cm

140cm



Step 01

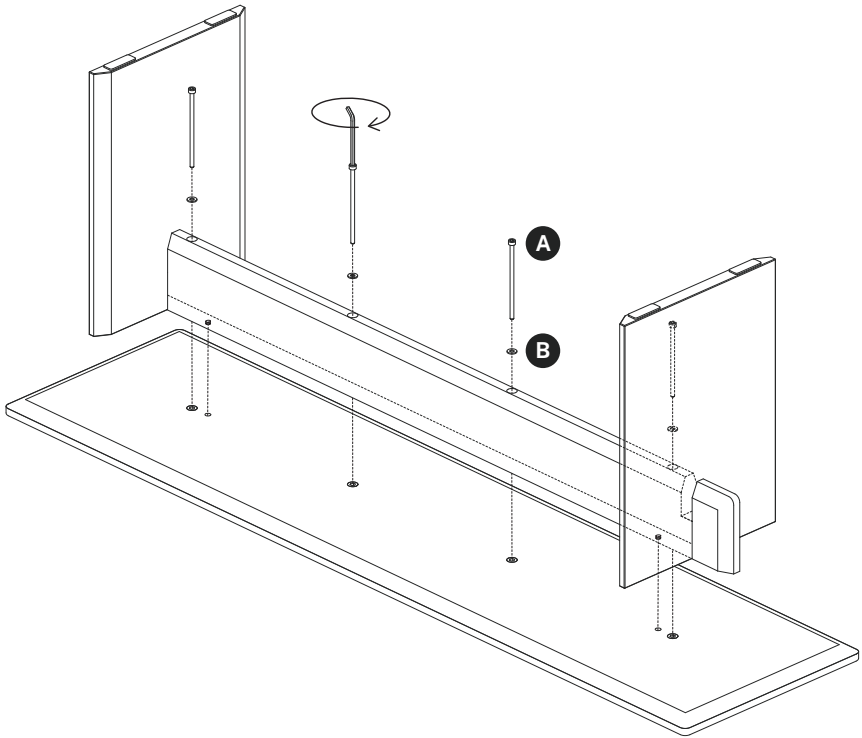
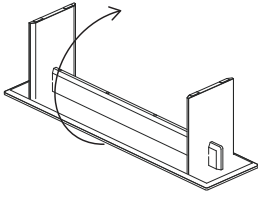
Join the base components to the stretcher. Making sure to match the • and •• markings for correct placement of base components.



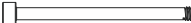

Step 02

A  x2 (65mm)

B  x2

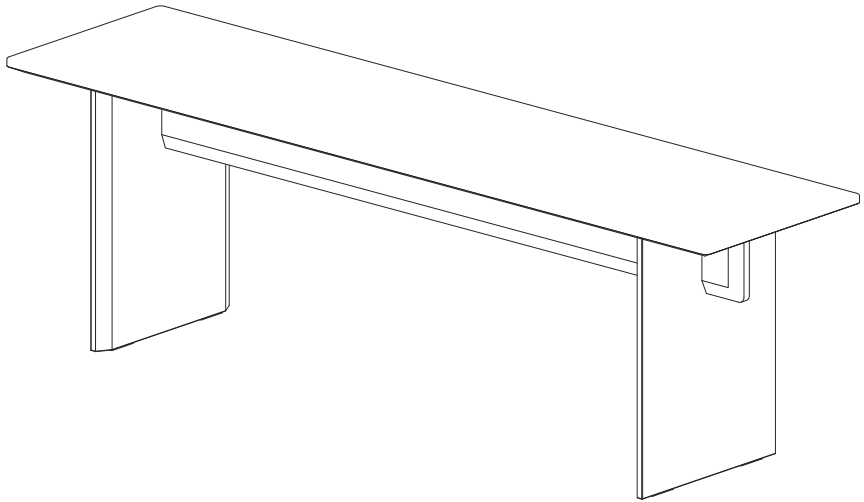


Step 03

- A**  x4 (120mm)
- B**  x4

Place the bench top on a soft underlay, with the bottom facing upwards, and lightly mount the base component by turning all screws two rounds.

Once all parts have been mounted, tighten all screws. **Note:** Do **not** over-tighten.



Step 04

Enjoy your new bench.

Care & maintenance

HOOP maintenance guide is accessible on our web site <https://hoop.co.za/pages/product-support>

Spare parts

HOOP offers spare parts for 'Contour Bench'. Spare parts are available from HOOP without charge for a period of 5 years from the date of purchase if the parts are found to be faulty during normal use. If the parts are damaged by misuse spare parts can be bought from HOOP. HOOP always strives to deliver spare parts to you in the fastest and most efficient way in order for your furniture to return to a functional condition.

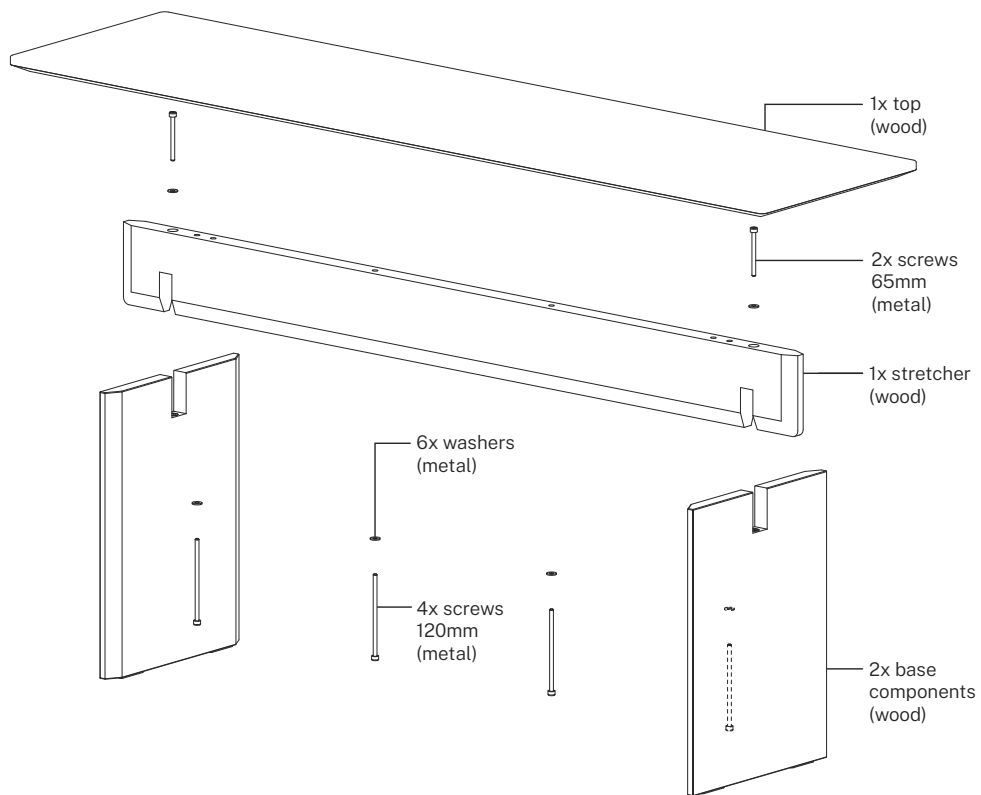
Please contact HOOP for inquiries regarding spare parts.

Recycling & Disassembly

We hope that your HOOP product will serve you well for many, many years. If you at one point want to recycle it, please separate it into components for sorting. Untighten screws by turning the Allen key counter clockwise to separate the different parts.

Metal parts can be delivered to us, or to a suitable recycling facility and be recycled.

Wooden parts can be delivered to us, or to a suitable recycling facility and be recycled or used for energy recovery through incineration.



hoop

MADE IN CAPE TOWN,
SOUTH AFRICA

FOR MORE INFORMATION
VISIT HOOP.CO.ZA