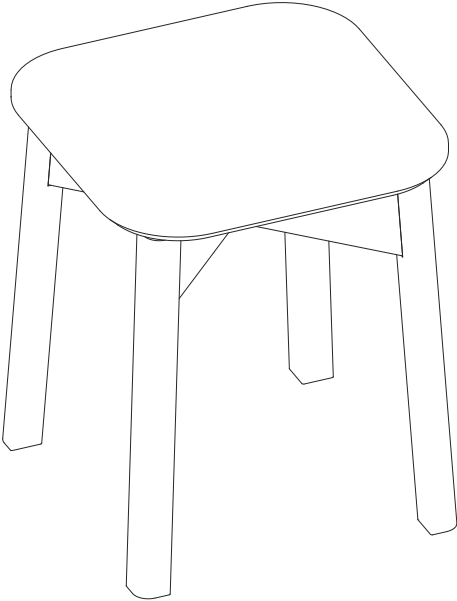


BUILDING INSTRUCTIONS

BASIS SIDE TABLE



IMPORTANT NOTICE

Only use the listed tools. Do **not** use power tools. Tighten in accordance with the building instructions. Avoid over-tightening. There is no need for strong force.

When unpacking your furniture, make sure to place all parts on a soft underlay to prevent scratches and to protect the floor.

PRODUCT INFORMATION

'Basis Side Table' is designed and manufactured for **indoor use**.

Materials

Top: Solid wood

Base components: Solid wood

Surface treatment: Hardwax-Oil wood finish derived from natural vegetable oils and waxes

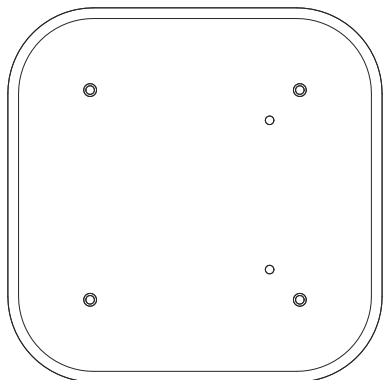
Fittings: Steel

Weight

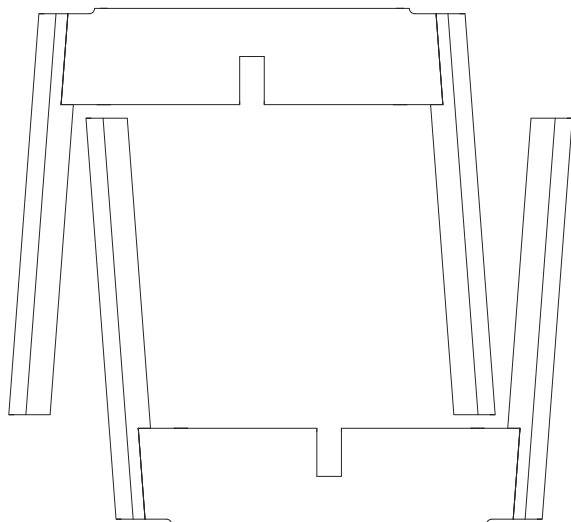
4 kg

COMPONENTS

1x top



2x base components



4x screws



4x washers

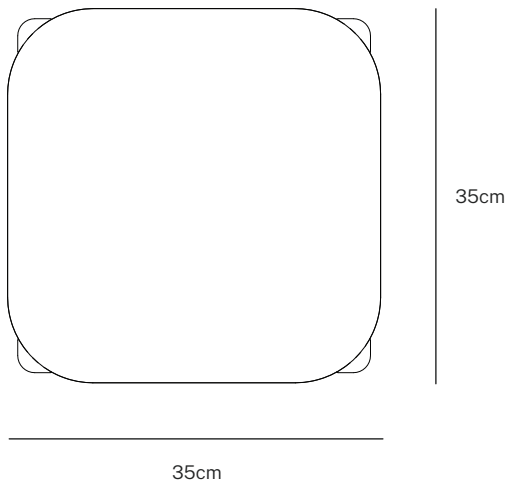
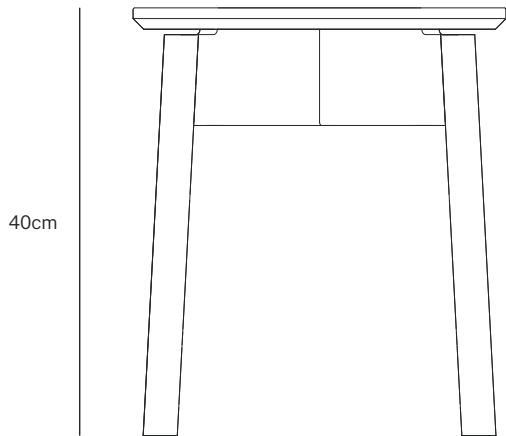


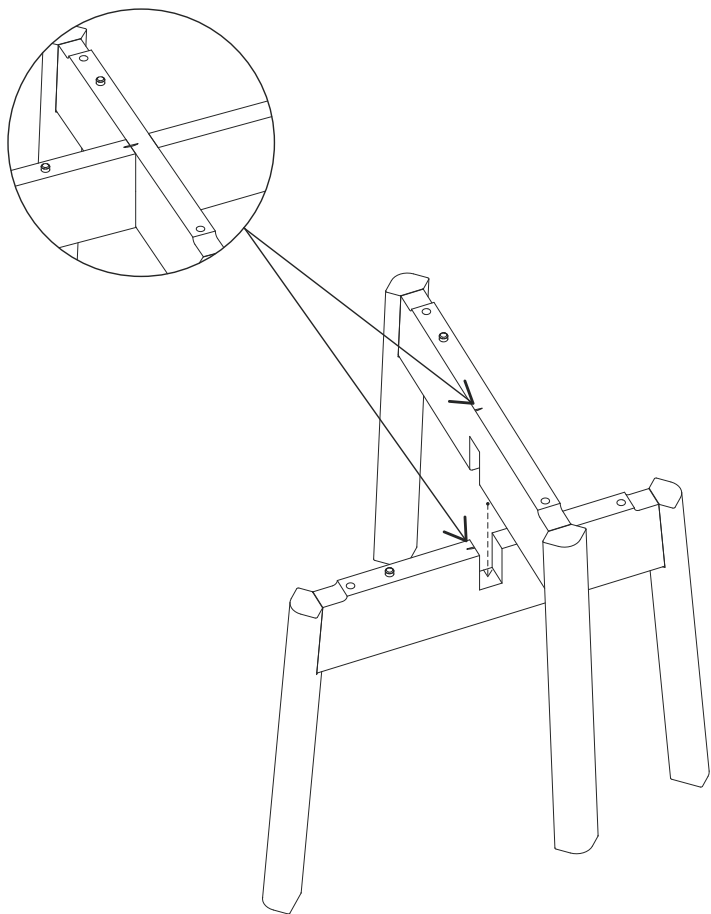
1x allen key*



*Optional item selected by customer

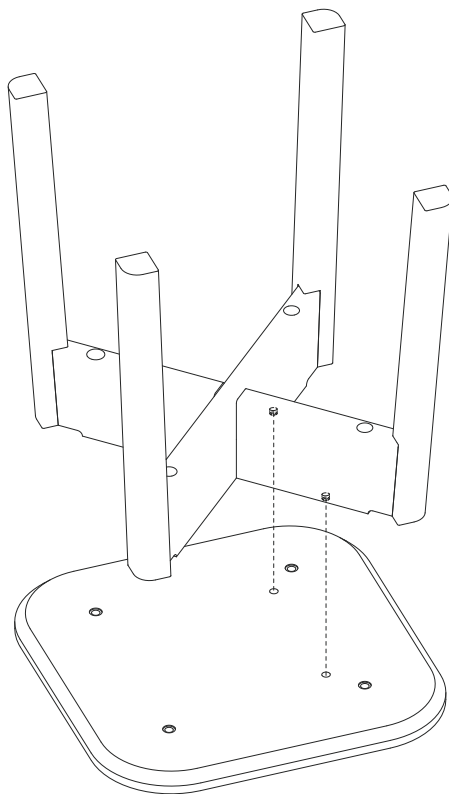
DIMENSIONS





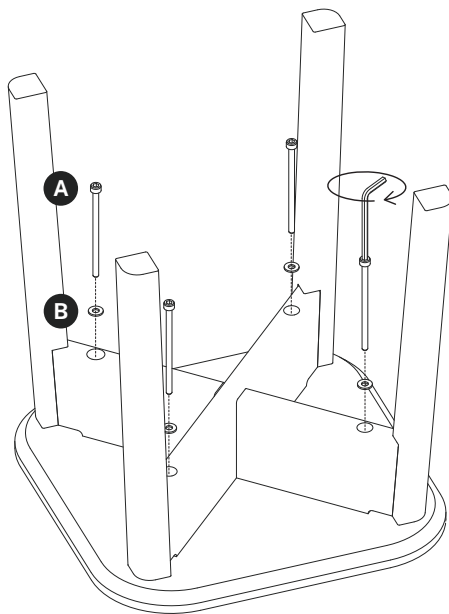
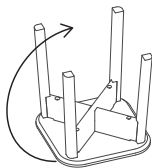
Step 01

Join the base components

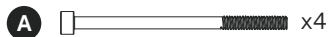


Step 02

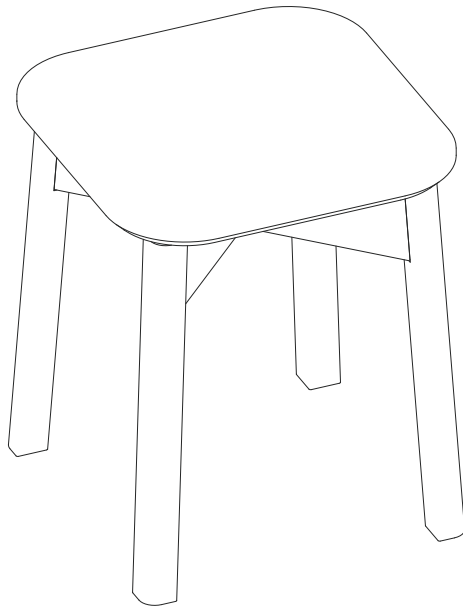
With the top positioned upside-down on a soft underlay, position the base components on top using the placement dowels for guidance.



Step 03



Once all parts have been mounted, tighten all screws. **Note:** Do **not** over-tighten.



Care & maintenance

HOOP maintenance guide is accessible on our web site <https://hoop.co.za/pages/product-support>

Spare parts

HOOP offers spare parts for 'Basis Side Table'. Spare parts are available from HOOP without charge for a period of 5 years from the date of purchase if the parts are found to be faulty during normal use. If the parts are damaged by misuse spare parts can be bought from HOOP. HOOP always strives to deliver spare parts to you in the fastest and most efficient way in order for your furniture to return to a functional condition.

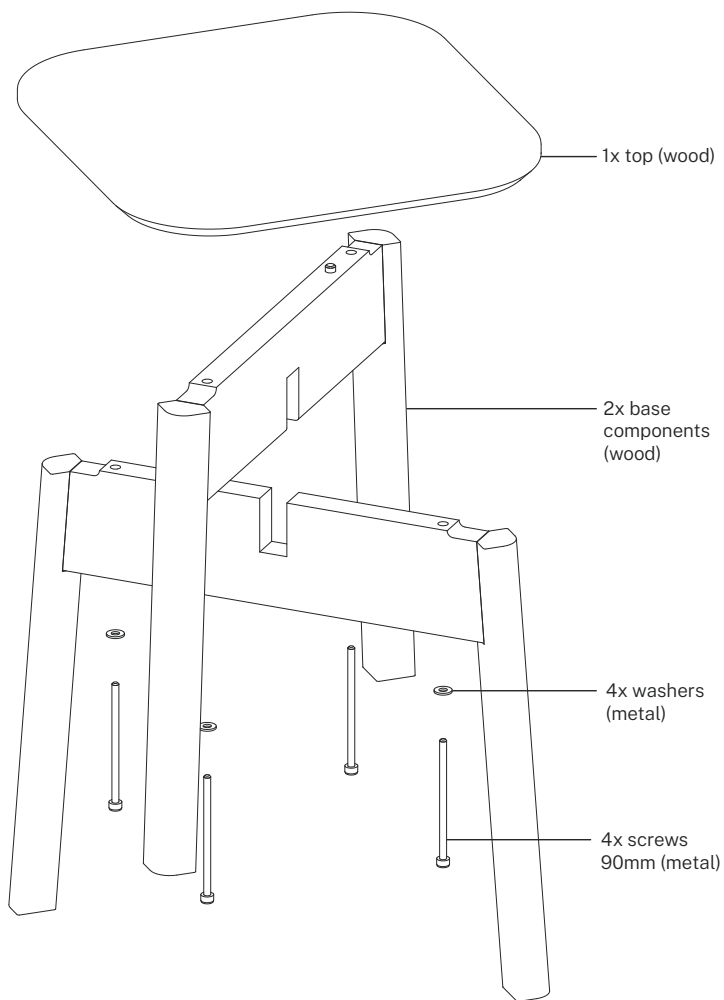
Please contact HOOP for inquiries regarding spare parts.

Recycling & Disassembly

We hope that your HOOP product will serve you well for many, many years. If you at one point want to recycle it, please separate it into components for sorting. Untighten screws by turning the Allen key counter clockwise to separate the different parts.

Metal parts can be delivered to us, or to a suitable recycling facility and be recycled.

Wooden parts can be delivered to us, or to a suitable recycling facility and be recycled or used for energy recovery through incineration.



hoop

MADE IN CAPE TOWN,
SOUTH AFRICA

FOR MORE INFORMATION
VISIT HOOP.CO.ZA