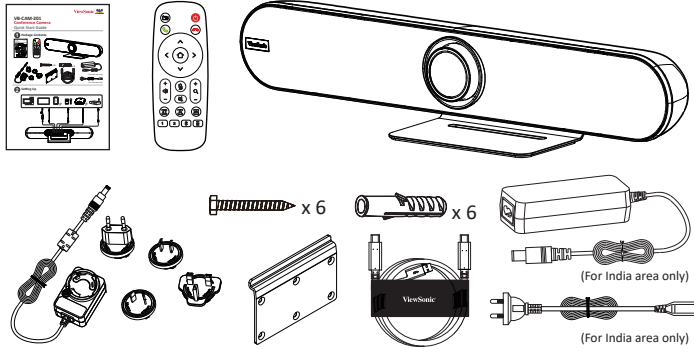


VB-CAM-201

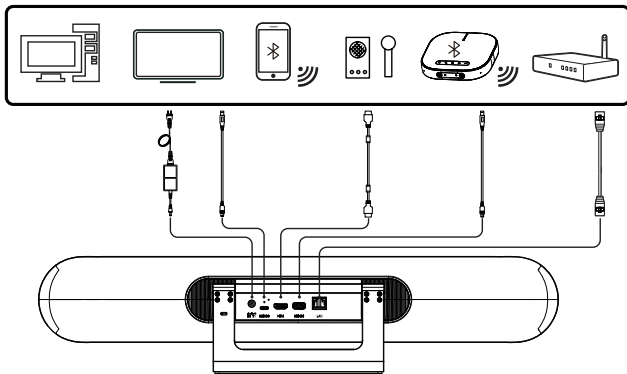
Conference Camera

Quick Start Guide

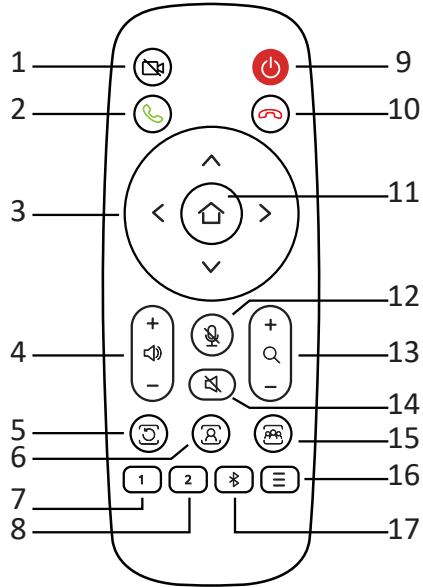
1 Package Contents



2 Setting Up

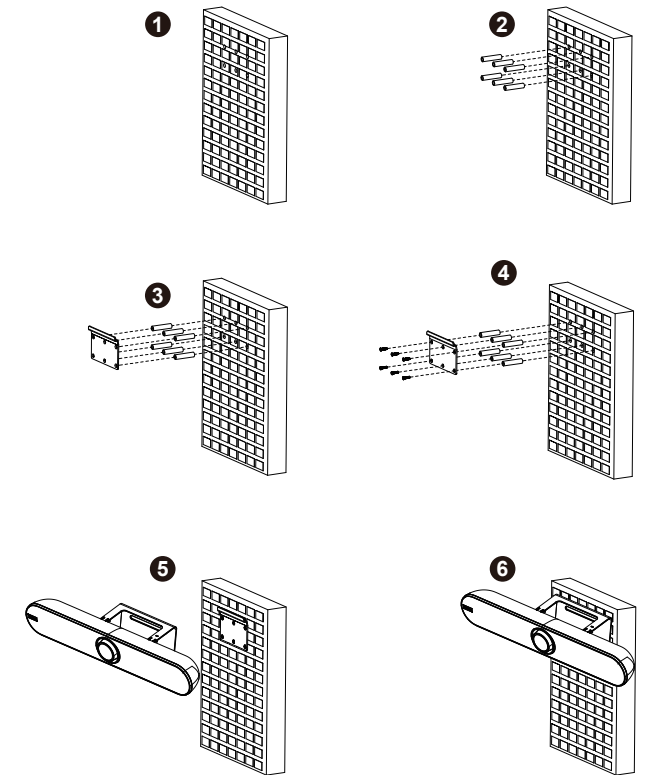


3 Remote Control



Items	Key
1	Camera Disable
2	Start Call
3	Control Key
4	Audio Volume Up/Down
5	Exit Tracking
6	Voice Tracking
7	Camera Preset 1
8	Camera Preset 2
9	Standby
10	Hang Up
11	Confirm / Home
12	Microphone Mute
13	Zoom In/Out
14	Speaker On/Off
15	Participants Tracking
16	Menu Key
17	Bluetooth Pairing

4 Installation



2 batteries, AAA, are required.

Compliance Information


FCC Statement

This device complies with Part 15 of the FCC Rules. Operation is subject to the following two conditions: (1) this device may not cause harmful interference, and (2) this device must accept any interference received; including interference that may cause undesired operation.

Warning: You are cautioned that changes or changes or modifications not expressly approved by the party responsible for compliance could void your authority to operate the equipment.

Industry Canada ICES-003 Compliance: CAN ICES-003(B) /NMB-003(B)

CE Conformity for European Countries

 The device complies with the EMC Directive 2014/30/EU and General Product Safety Directive 2001/95/EC and Radio Equipment Directive 2014/53/EU. The full Declaration of Conformity can be found at the following website:
https://www.viewsonicglobal.com/public/products_download/safety_compliance/accessories/vb-cam/VB-CAM-201_CE_DOC.pdf

Following information is only for EU-member states:

The mark is in compliance with the Waste Electrical and Electronic Equipment Directive 2012/19/EU (WEEE).

The mark indicates the requirement NOT to dispose the equipment including any spent or discarded batteries or accumulators as unsorted municipal waste, but use the return and collection systems available.

If the batteries, accumulators and button cells included with this equipment, display the chemical symbol Hg, Cd, or Pb, then it means that the battery has a heavy metal content of more than 0.0005% Mercury or more than, 0.002% Cadmium, or more than 0.004% Lead.



Declaration of RoHS2 Compliance

This product has been designed and manufactured in compliance with Directive 2011/65/EU of the European Parliament and the Council on restriction of the use of certain hazardous substances in electrical and electronic equipment (RoHS2 Directive) and is deemed to comply with the maximum concentration values issued by the European Technical Adaptation Committee (TAC) as shown below:

Substance	Proposed Maximum Concentration	Actual Concentration
Lead (Pb)	0.1%	< 0.1%
Mercury (Hg)	0.1%	< 0.1%
Cadmium (Cd)	0.01%	< 0.01%
Hexavalent Chromium (Cr ⁶⁺)	0.1%	< 0.1%
Polybrominated biphenyls (PBB)	0.1%	< 0.1%
Polybrominated diphenyl ethers (PBDE)	0.1%	< 0.1%
Bis(2-ethylhexyl) phthalate (DEHP)	0.1%	< 0.1%
Butyl benzyl phthalate (BBP)	0.1%	< 0.1%
Dibutyl phthalate (DBP)	0.1%	< 0.1%
Diisobutyl phthalate (DIBP)	0.1%	< 0.1%

Certain components of products as stated above are exempted under the Annex III of the RoHS2 Directives as noted below:

Examples of exempted components are:

- Mercury in cold cathode fluorescent lamps and external electrode fluorescent lamps (CCFL and EEFL) for special purposes not exceeding (per lamp):
 - Short length (≤ 500 mm): maximum 3.5 mg per lamp.
 - Medium length (> 500 mm and $\leq 1,500$ mm): maximum 5 mg per lamp.
 - Long length ($> 1,500$ mm): maximum 13 mg per lamp.
- Lead in glass of cathode ray tubes.
- Lead in glass of fluorescent tubes not exceeding 0.2% by weight.
- Lead as an alloying element in aluminium containing up to 0.4% lead by weight.
- Copper alloy containing up to 4% lead by weight.
- Lead in high melting temperature type solders (i.e. lead-based alloys containing 85% by weight or more lead).
- Electrical and electronic components containing lead in a glass or ceramic other than dielectric ceramic in capacitors, e.g. piezoelectric devices, or in a glass or ceramic matrix compound.



<http://www.viewsonic.com/support/>



www.viewsonic.com

