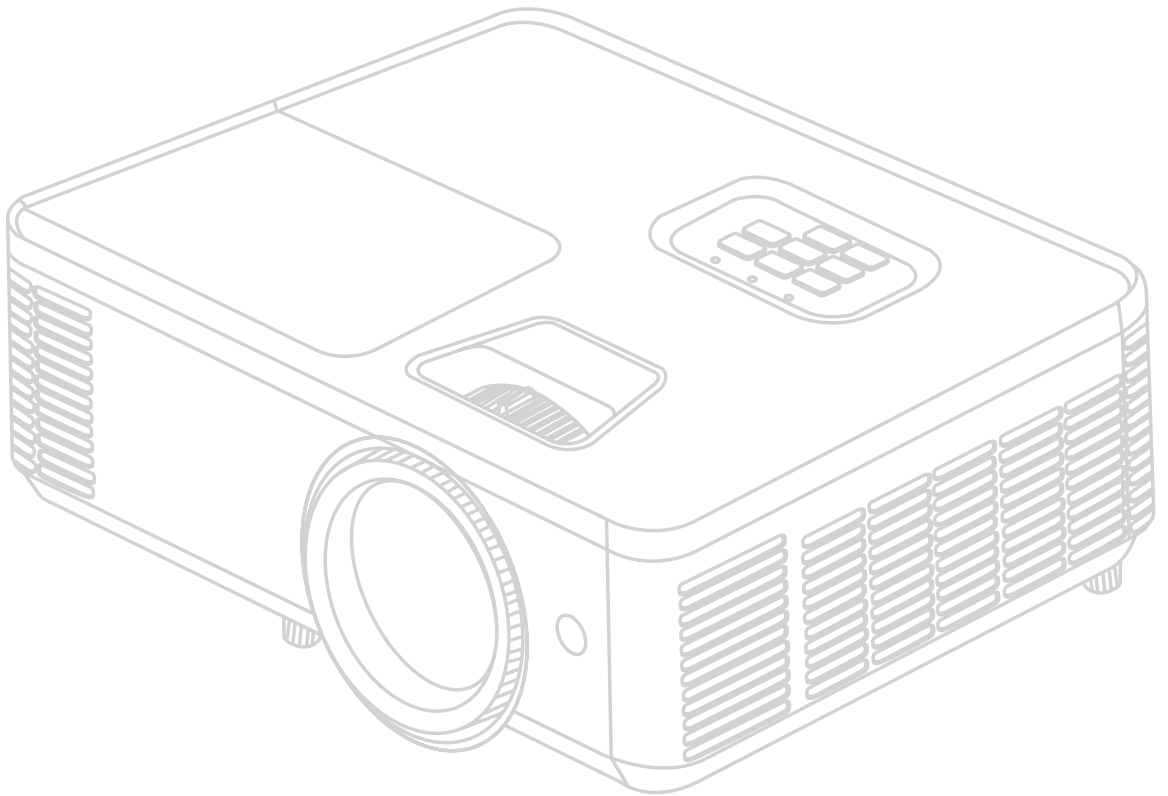


PX704HD

DLP Projector User Guide



Thank you for choosing ViewSonic®

Safety Precautions

Safety Precautions

Read all warnings and follow all instructions.

ventilation.

Place the projector in a well-ventilated area. Do not place anything on the projector that prevents heat dissipation.

fall over, causing personal injury or projector malfunction.

Do not look straight at the projector lens during operation. The intense light

Always open the lens shutter or remove the lens cap when the projector lamp is

Do not block the projection lens with any objects when the projector is under operation as this could cause objects to become heated and deformed or even cause a fire.

The lamp becomes extremely hot during operation. Allow the projector to

Do not attempt to disassemble the projector. There are dangerous high voltages

Do not place any heavy objects on the projector or connection cables.

Do not stand the projector on end vertically. Doing so may cause the projector to fall over, causing personal injury or projector malfunction.

stoves, or other devices (including amplifiers) that may increase the temperature

When the projector is under operation, you may sense some heated air and odor from its ventilation grill. It is a normal operation and not a defect.

Do not attempt to circumvent the safety provisions of the polarized or grounding-type plug. A polarized plug has two blades with one wider than the

wide and third blade are provided for your safety. If the plug does not fit into your outlet, obtain an adapter and do not attempt to force the plug into the

When connecting to a power outlet, DO NOT remove the grounding prong.

Protect the power cord from being treaded upon or pinched, particularly at the

power cuts or surges of ± 10 volts occur. In areas where voltage may fluctuate

stabilizer, surge protector, or uninterruptable power supply (UPS).

the projector off and call your dealer or ViewSonic®. It is dangerous to continue

Use only attachments/accessories specified by the manufacturer.

for a long period of time.

Refer all servicing to qualified service personnel.



CAUTION: Possibly hazardous optical radiation is emitted from this product. As

Safety Precautions - Ceiling Mounting

Safety Precautions

Contents

Safety Precautions.....	3
Introduction	9

Initial Setup.....	18
--------------------	----

Making Connections.....	22
-------------------------	----

Using the Projector.....	27
--------------------------	----

Operating the Projector..... 35

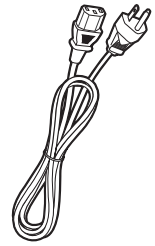
Appendix..... 53

Regulatory and Service Information 61

Indian Restriction of Hazardous Substances

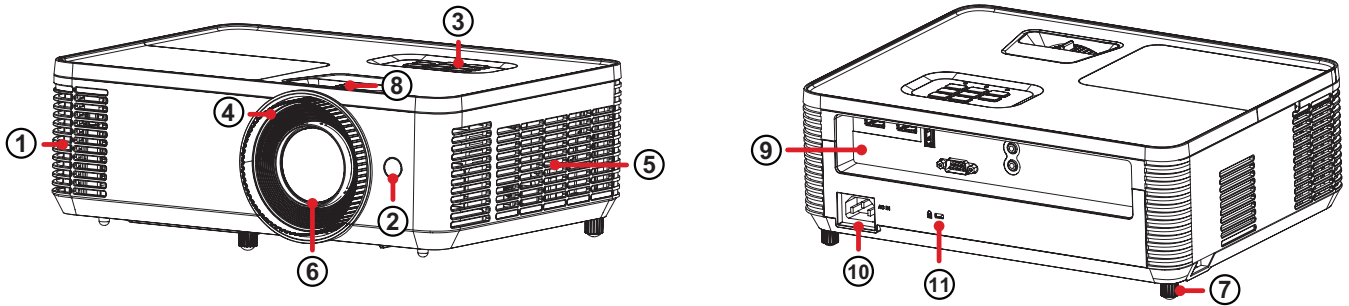
Introduction

Package Contents



Product Overview

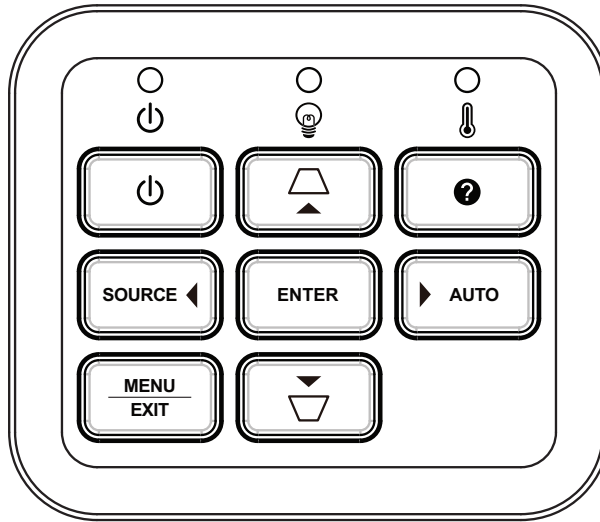
Projector



Number	Description
1	
2	IR Receiver
3	Keypad
4	Focus Ring
5	Vent (inlet)
6	Projection Lens
7	Adjuster Foot
8	Zoom Ring
9	I/O Ports
10	
11	Security Lock




NOTE: Do not block projector intake and exhaust vents.

Keypad

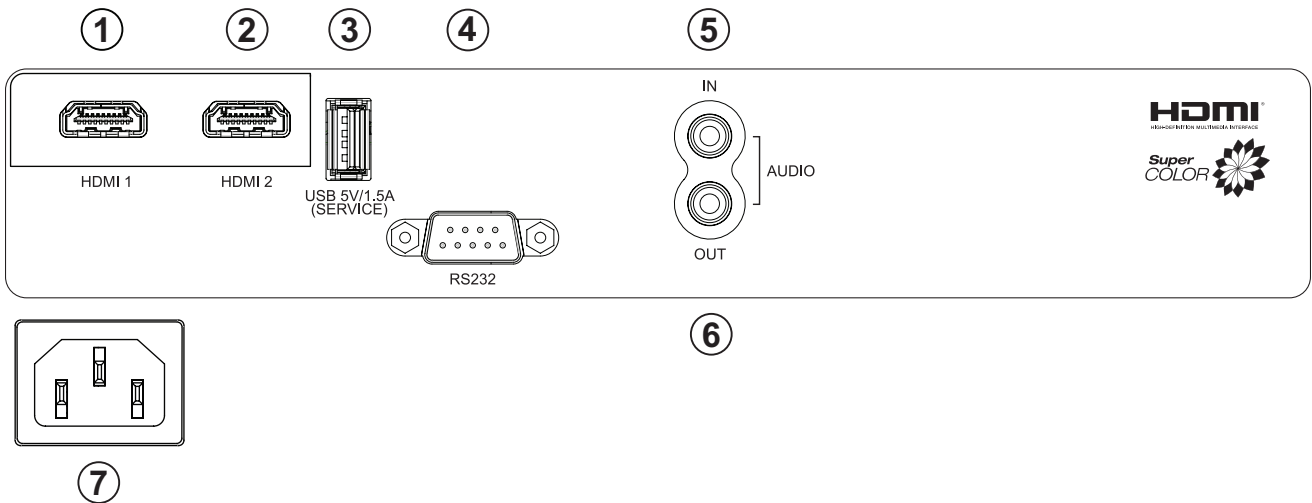


Key		Description
	Power	Toggles the projector between standby mode and Power On.
	Keystone	Manually corrects distorted images resulting from an angled projection when the On-Screen Display (OSD) Menu is activated.
	Navigation	Selects the desired menu items and makes adjustments when the On-Screen Display (OSD) Menu is activated.
MENU EXIT	Menu/Exit	Activate the On-Screen Display (OSD) Menu. Go back to previous level in the OSD Menu. Exit and save menu settings.
SOURCE	Source	Toggle to the next input source.
	Help	Displays the Help menu.
ENTER	Enter	Confirm the selection when the On-Screen Display (OSD) Menu is activated.
AUTO	Auto	Automatically synchronize the projector to the input source.

Indicator Lights

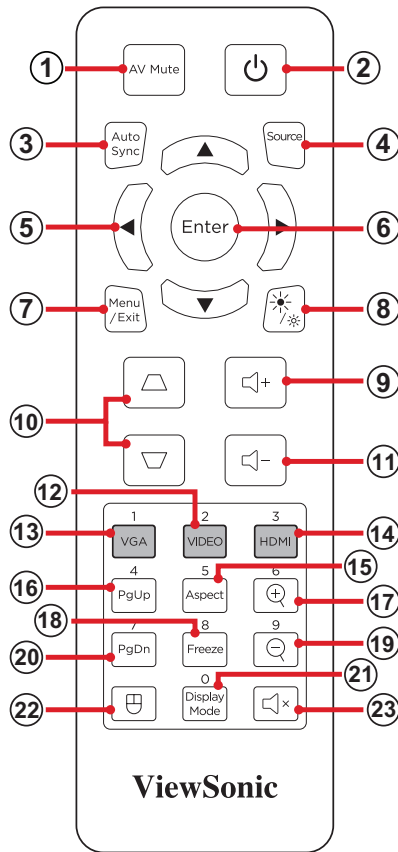
Indicator Light	Description
	Power indicator light
	Light source indicator light
	Temperature indicator light










I/O Ports






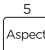




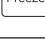





Port		Description
1	HDMI 1	HDMI port.
2	HDMI 2	HDMI port.
3	USB (5V/1.5A Out) (Service)	USB Type A port for power and service.
4	RS-232	RS-232 control port.
5	AUDIO IN	Audio signal input socket.
6	AUDIO OUT	Audio signal output socket.
7	AC IN	AC IN socket.

Remote Control



Button		Description	
1	AV Mute		Hide and recover the screen picture and volume mute.
2	Power		Turns the projector On or Off
3	Auto Sync		Automatically synchronize the projector to the input source.
4	Source		Toggle to the next input source.
5	Navigation Buttons		Navigates and selects the desired menu items and make adjustments when the On-Screen Display (OSD) Menu is activated.
6	Enter		Confirm the selection when the On-Screen Display (OSD) Menu is activated.
7	Menu/Exit		Turns the On-Screen Display (OSD) Menu On or Off. Go back to a previous OSD Menu. Exit and Save menu settings.
8	Brightness		Displays the brightness selection bar.
9	Volume Up		Increase the volume level.

Button			Description
10	Keystone		Manually correct distorted images.
11	Volume Down		Decrease the volume level.
12	Video		<i>Unsupported Button</i>
13	VGA		<i>Unsupported Button</i>
14	HDMI		Selects the HDMI 1 HDMI 2 input source.
15	Aspect		Displays the format selection bar.
16	Page Up		Operates your display software program (on a connected PC) which responds to page up commands (like Microsoft PowerPoint). NOTE: The PC and projector need to connect via USB.
17	Zoom In		Increase the projected image size.
18	Freeze		Freeze/un-freeze the projected image.
19	Zoom Out		Reduce the projected image size.
20	Page Down		Operates your display software program (on a connected PC) which responds to page down commands (like Microsoft PowerPoint). NOTE: The PC and projector need to connect via USB.
21	Display Mode		Displays the display mode selection bar.
22	Mouse Mode		Enable/Disable the mouse function.
23	Mute		Mute/Unmute.

Using the Remote Control Mouse Mode and Page Up/Down Function

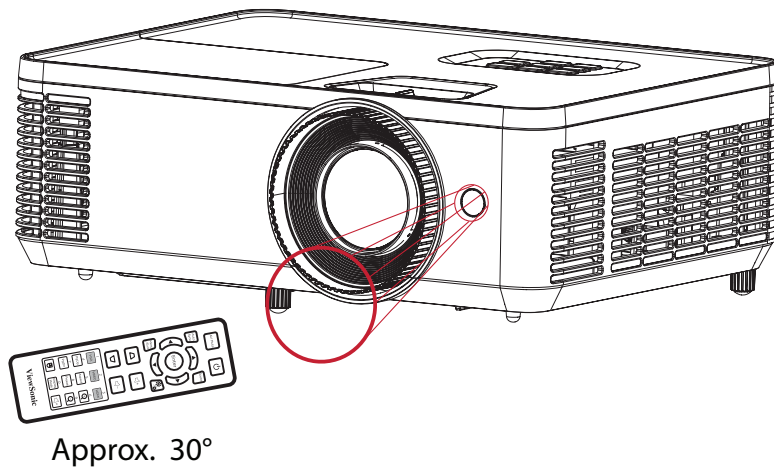
1. Connect the PC/Notebook to the projector via the **HDMI** and **USB** ports.
2. Set the input source to PC.
3. Press the **Mouse Mode** button on the remote control to operate your displayed software program with Page Up/Down commands (like Microsoft PowerPoint).

Remote Control - Receiver Range

To ensure proper function of the remote control follow the steps below:

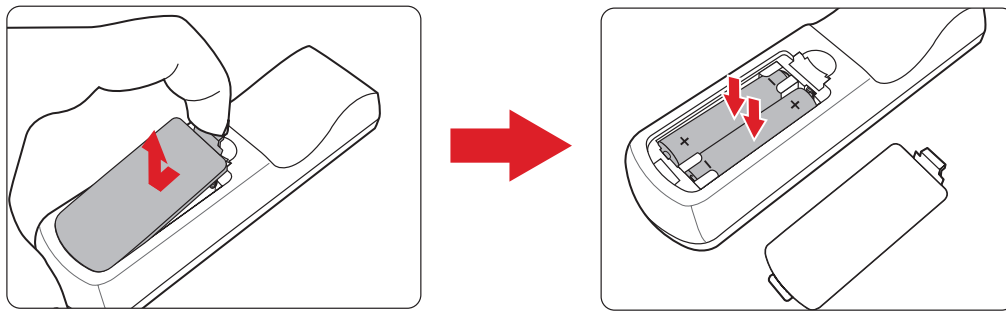
1. The remote control must be held at an angle within 30° perpendicular to the projector's IR remote control sensor(s).
2. The distance between the remote control and the sensor(s) should not exceed 10 m (32.8 ft.).

NOTE: Refer to the illustration for the location of the infrared (IR) remote control sensor(s).



Remote Control - Replacing the Batteries

1. Remove the battery cover from the bottom of the remote control by pressing the finger grip and sliding it across.
2. Remove any existing batteries (if necessary) and install two AAA batteries.
NOTE: Observe the battery's polarities as indicated.
3. Replace the battery cover by aligning it with the base and pushing it back into position.



NOTE:

Avoid leaving the remote control and batteries in excessive heat or a humid environment.

Replace only with the same or equivalent type recommended by the battery manufacturer.

If the batteries are drained or if you will not be using the remote control for an extended period of time, remove the batteries to avoid damage to the remote control.

Dispose of the used batteries according to the manufacturer's instructions and local environment regulations for your region.

Initial Setup

This section provides detailed instructions for the initial set up your projector.

Choosing a Location - Projection Orientation

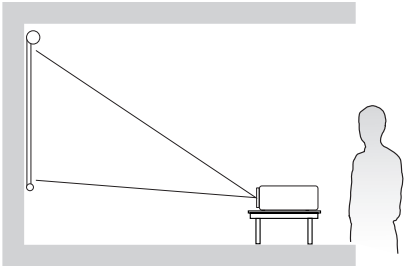
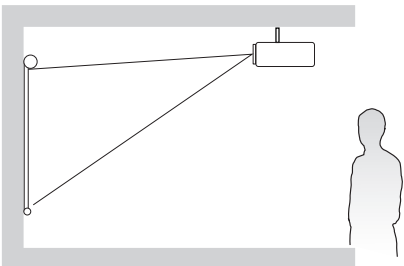
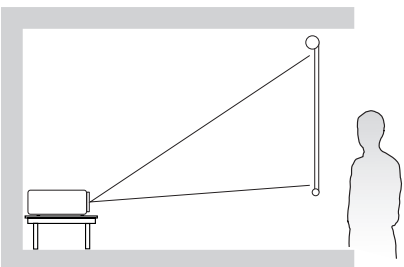
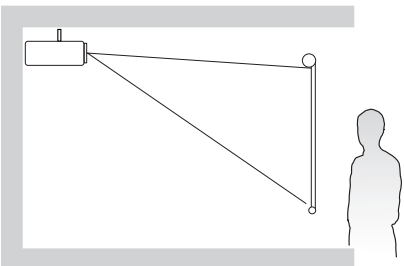
Personal preference and room layout will decide the installation location. Consider the following:

- Size and position of your screen.

- Location of a suitable power outlet.

- Location and distance between the projector and other equipment.

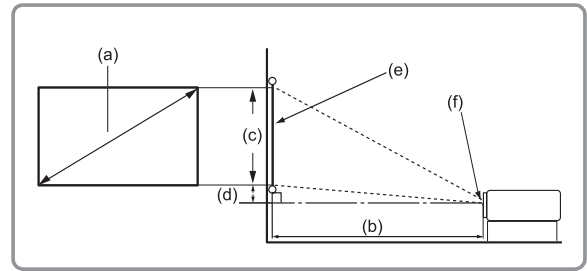
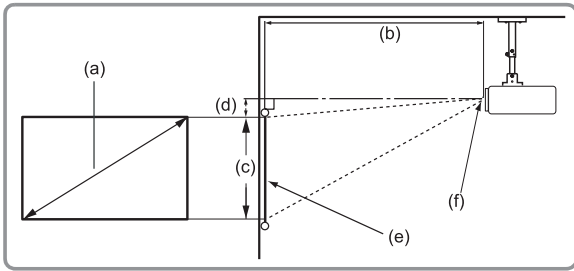
The projector is designed to be installed in one of the following locations:

Location	
<p>Front Table</p> <p>The projector is placed near the floor in front of the screen.</p>	
<p>Front Ceiling</p> <p>The projector is suspended upside-down from the ceiling in front of the screen.</p>	
<p>Rear Table</p> <p>The projector is placed near the floor behind the screen.</p>	
<p>Rear Ceiling</p> <p>The projector is suspended upside-down from the ceiling behind the screen.</p>	

¹ A rear projection screen is required.

Projection Dimensions

16:9 Image on a 16:9 Screen



NOTE:

(e) = Screen

(f) = Center of Lens

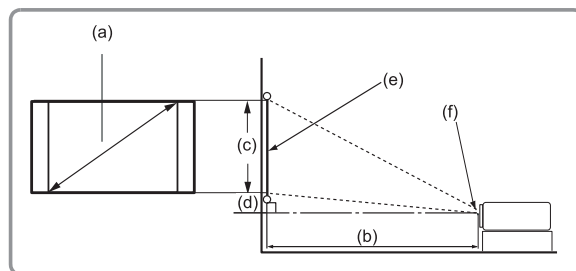
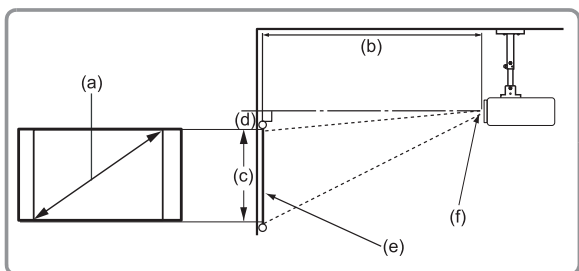
(a) Screen Size		(b) Projection Distance				(c) Image Height		(d) Vertical Offset	
		Minimum		Maximum					
in.	mm	in.	mm	in.	mm	in.	mm	in.	mm
		38.70	983	42.36		14.71		2.35	
		51.60		56.48	1435	19.61	498	3.14	
50		64.50		70.60	1793	24.51		3.92	
	1524	77.40	1966	84.72	2152	29.42		4.71	
		90.30	2293	98.84	2510	34.32		5.49	139
		103.19		112.96	2869	39.22	996	6.28	159
90		116.09	2949	127.08		44.12		7.06	179
	2540	128.99		141.20	3586	49.03	1245	7.84	199
	2794	141.89		155.31	3945	53.93		8.63	219
		154.79	3932	169.43		58.83	1494	9.41	239
		167.69	4259	183.55		63.73	1619	10.20	259
	3556	180.59	4587	197.67	5021	68.64		10.98	279
150		193.49	4915	211.79	5380	73.54		11.77	299
	5080	257.99	6553	282.39		98.05	2491	15.69	398
250	6350	322.48	8191	352.99	8966	122.57		19.61	498
		386.95	9829	423.59	10759	147.08		23.53	598

NOTE:

These figures are for reference purposes only. Please refer to the actual projector for the precise dimensions.

It is recommended that if you intend to permanently install the projector to physically test the projection size and distance using the actual projector before you permanently install it.

16:9 Image on a 4:3 Screen



NOTE:

(e) = Screen

(f) = Center of Lens

(a) Screen Size		(b) Projection Distance				(c) Image Height		(d) Vertical Offset	
		Minimum		Maximum					
in.	mm	in.	mm	in.	mm	in.	mm	in.	mm
		35.53	902	38.88	988	13.50		2.16	55
		47.36		51.84		18.00	457	2.88	
50		59.20	1504	64.80		22.50	572	3.60	91
	1524	71.04		77.76	1975	27.00		4.32	
		82.88	2105	90.72		31.50		5.04	
		94.72		103.68		36.00	914	5.76	
90		106.56		116.64	2963	40.50	29	6.48	165
	2540	118.40		129.60	3292	45.00		7.20	
	2794	130.24		142.56		49.50	1257	7.92	
		142.08	3609	155.52	3950	54.00		8.64	219
		153.92	3910	168.48	4279	58.50		9.36	
	3556	165.76		181.44	4609	63.00		10.08	256
150		177.60	4511	194.40	4938	67.50	1715	10.80	
	5080	236.80	6015	259.20	6584	90.00		14.40	
250	6350	296.00	7518	324.00		112.50	2858	18.00	457
		355.20	9022	388.80	9876	135.00	3429	21.	549

NOTE:

These figures are for reference purposes only. Please refer to the actual projector for the precise dimensions.

It is recommended that if you intend to permanently install the projector to physically test the projection size and distance using the actual projector before you permanently install it.

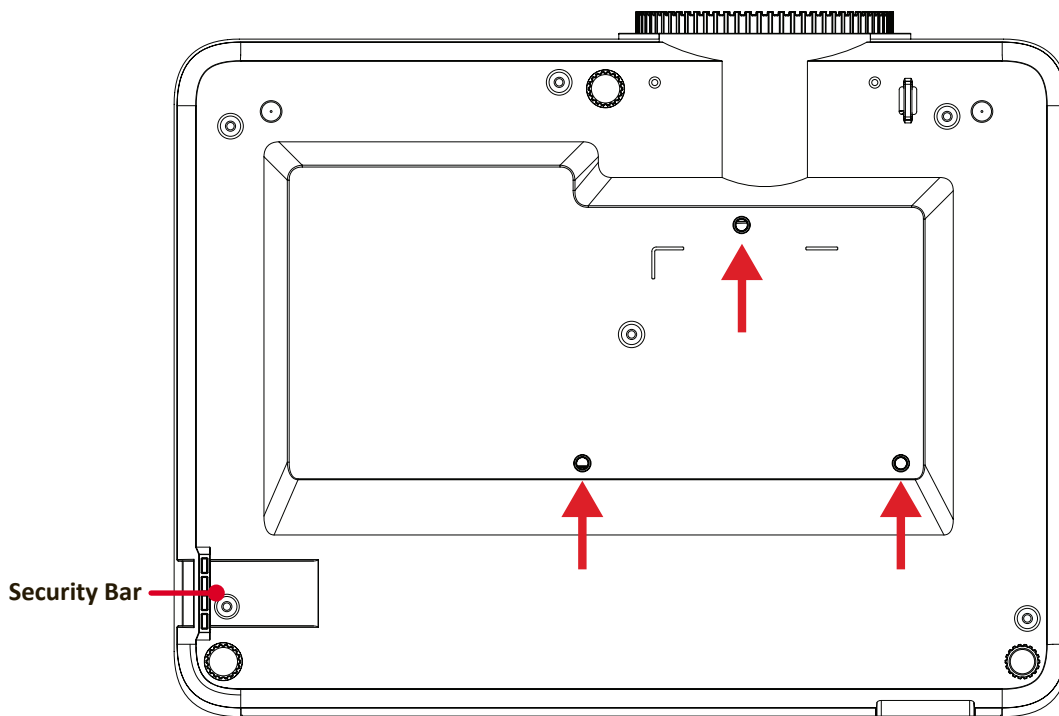
Mounting the Projector

NOTE: If you buy a third party mount, please use the correct screw size. Screw size can vary depending on the thickness of the mounting plate.

1. To ensure the most secure installation, please use a ViewSonic® wall or ceiling mount.
2. Ensure the screws used to attach the mount to the projector meet the following specifications:

Screw type: M4 x 7

Maximum Screw Length: 7 mm



CAUTION:

Avoid installing the projector near a heat source or air conditioner.

Keep at least a 10 cm (3.9 in.) gap between the ceiling and the bottom of the projector.

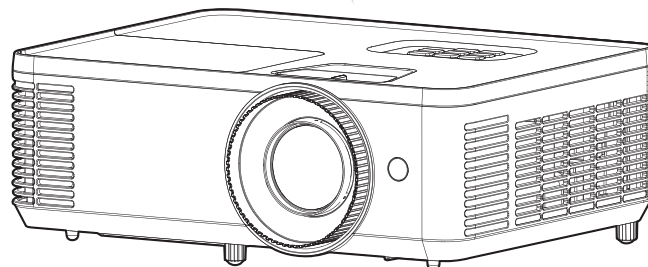
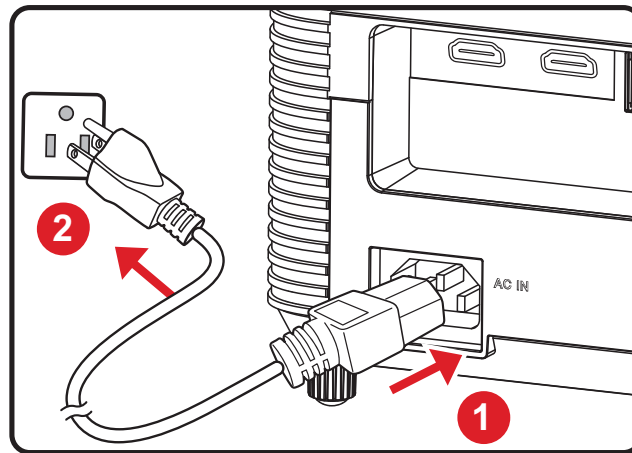
Using the Security Bar

To help prevent the projector from being stolen, use a security slot locking device to secure the projector to a fixed object.

Making Connections

Connecting to Power

- 1.
- 2.



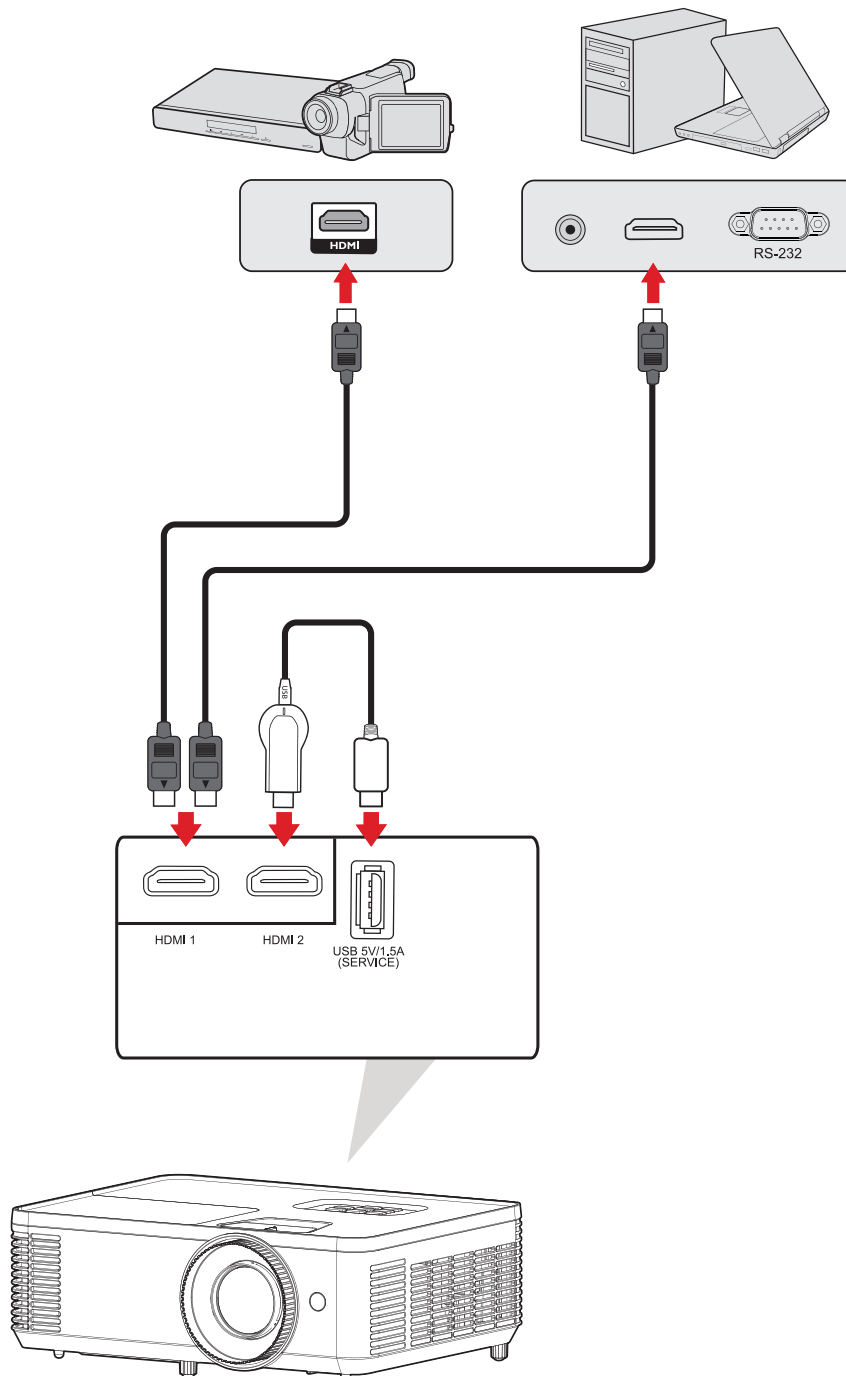
NOTE:

device in the fixed wiring, or connect the power plug to an easily accessible outlet near the unit. If a fault should occur during operation of the projector, use the disconnect device to switch off the power supply,

Connecting to External Devices

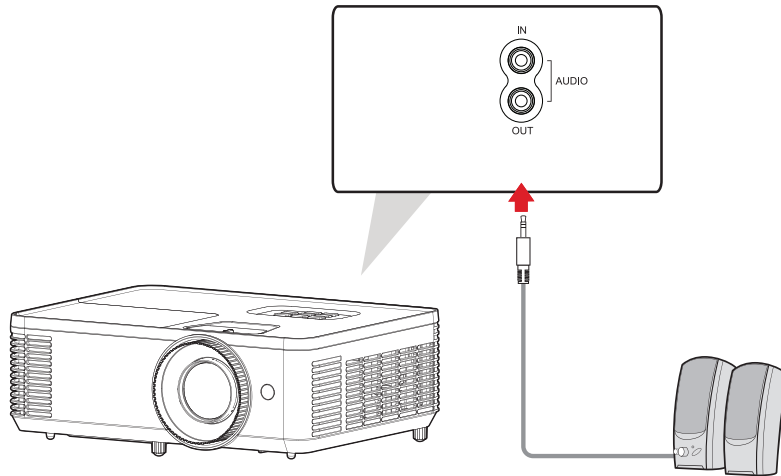
HDMI Connection

HDMI 1/2



Audio Connection

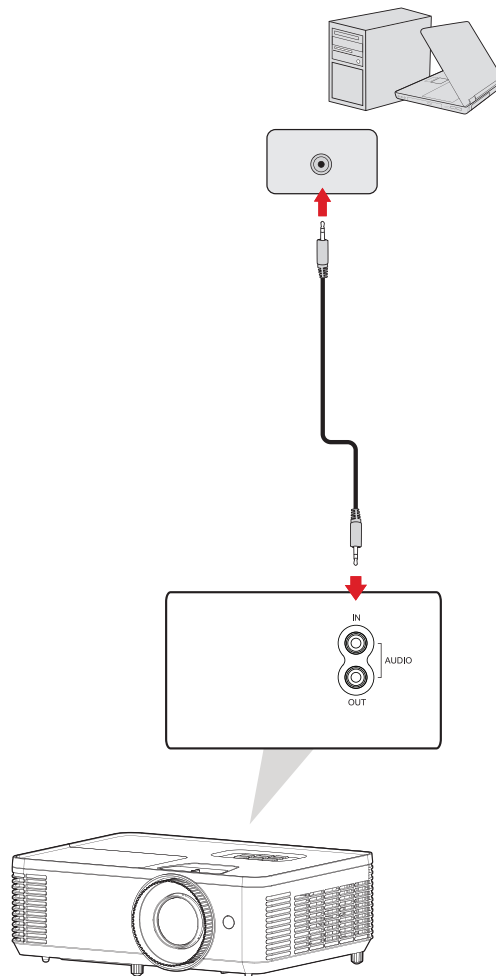
You can connect to various external sound delivery devices via the **AUDIO OUT**



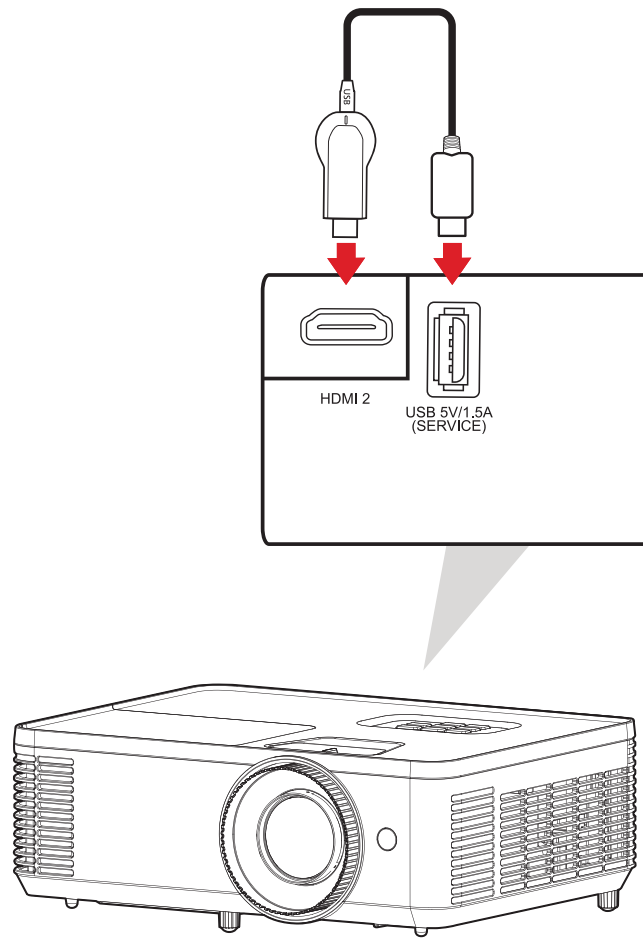
Additionally, you can connect to the **AUDIO IN**

NOTE: Audio Input

AUDIO1



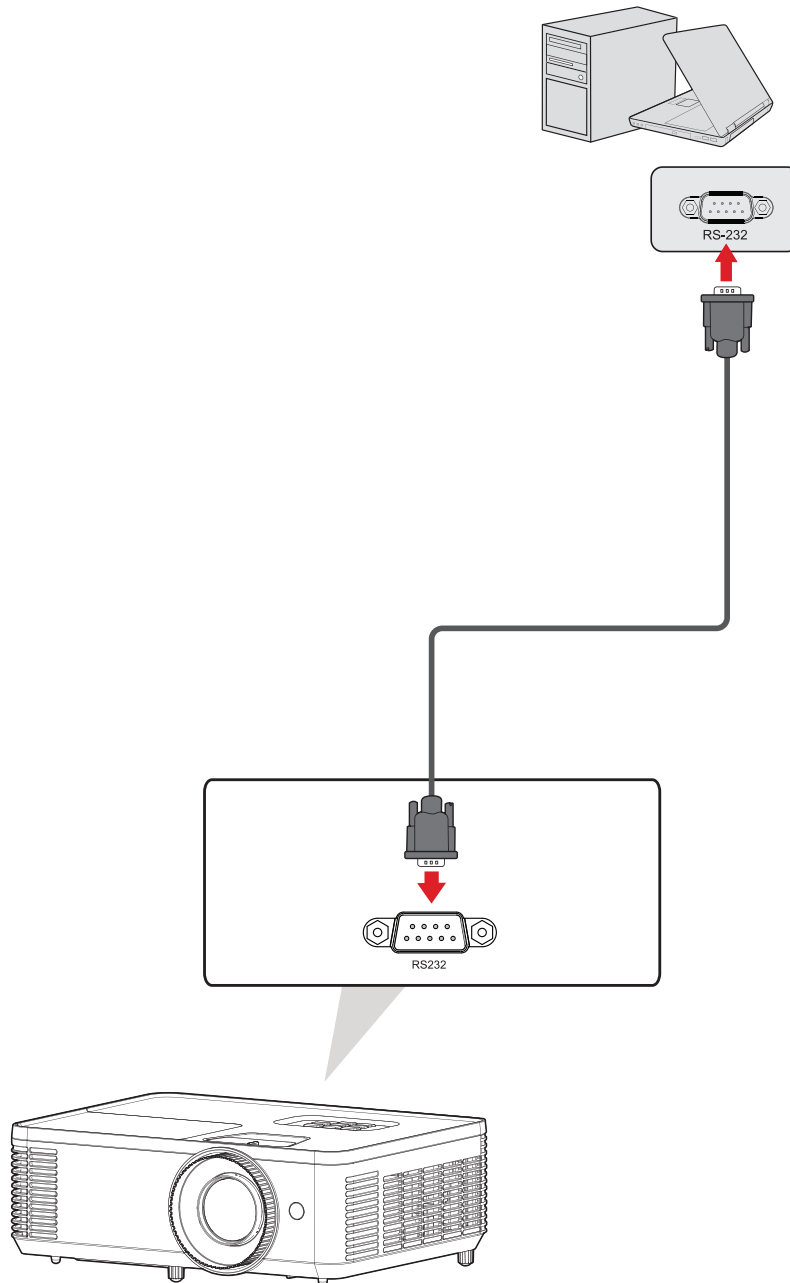
USB Type A Connection



NOTE:

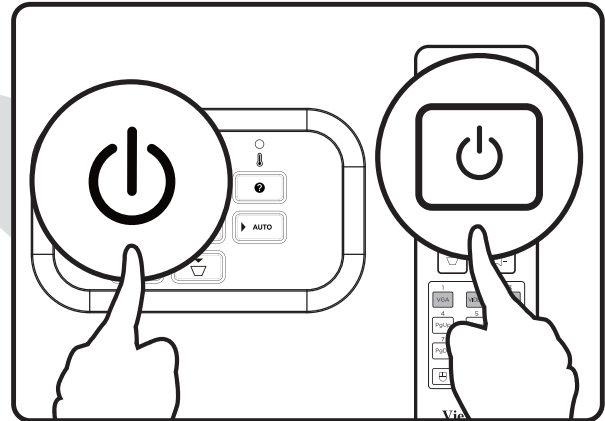
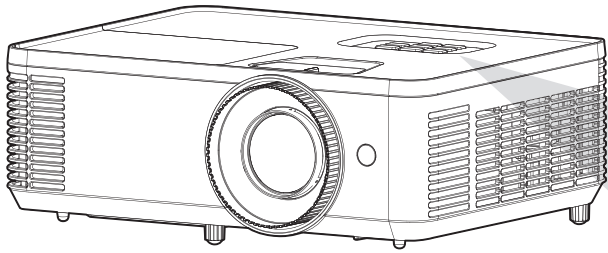
RS-232 Connection

When you use a RS-232 serial port cable to connect the projector to an external computer certain functions can be controlled remotely by the PC, including Power On/Off, Volume adjustment, Input select, and more.



Using the Projector

Starting Up the Projector



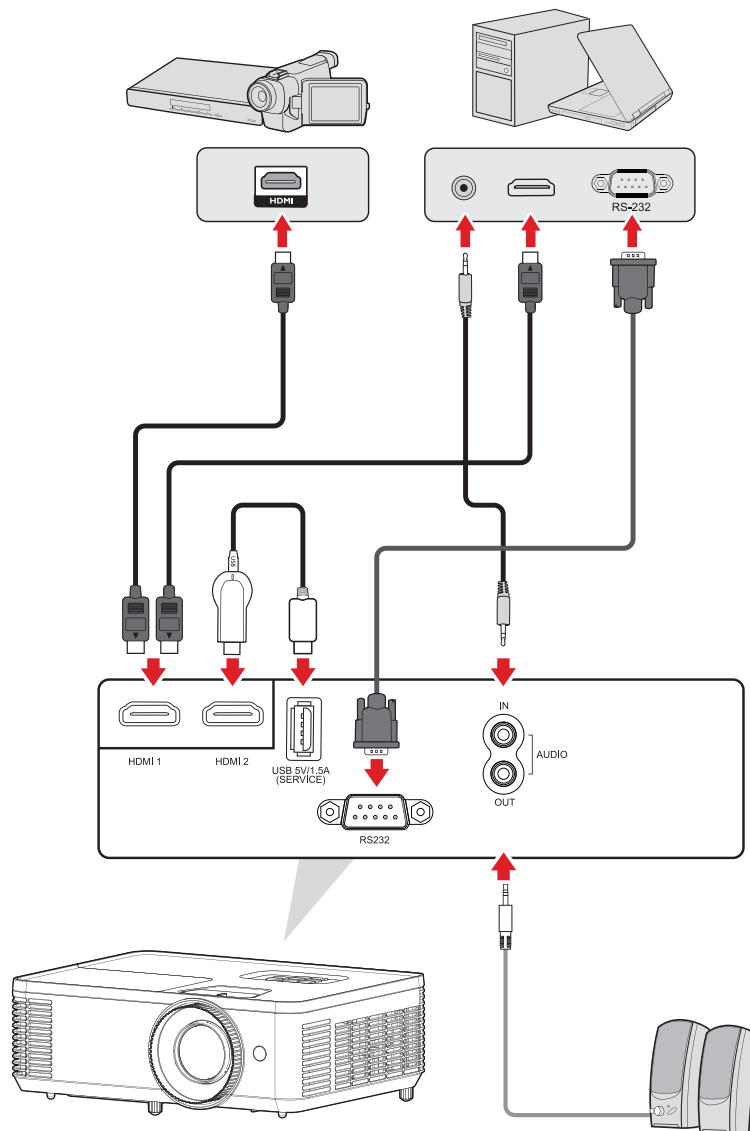
- 1.
2. **Power** button on the projector or remote control to turn on the

NOTE:

The Power Indicator Light will be flashing blue during startup.
The projector cannot be turned off within one minute after starting.

Selecting an Input Source

The projector can be connected to multiple devices at the same time. However, it can only display one full screen at a time.

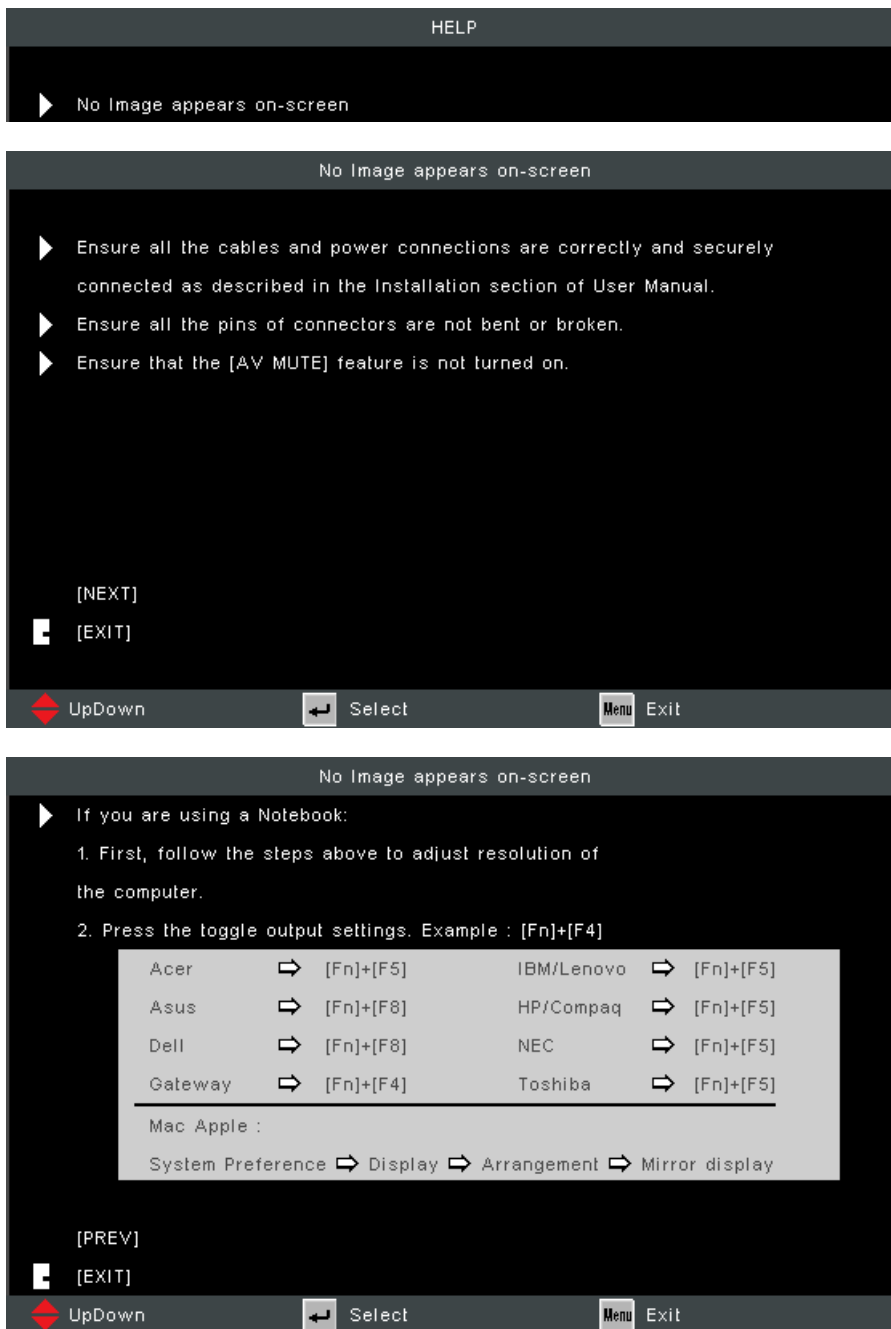


The projector will automatically search for input sources. If multiple sources are connected, press the **Source** button on the projector or remote control to select the

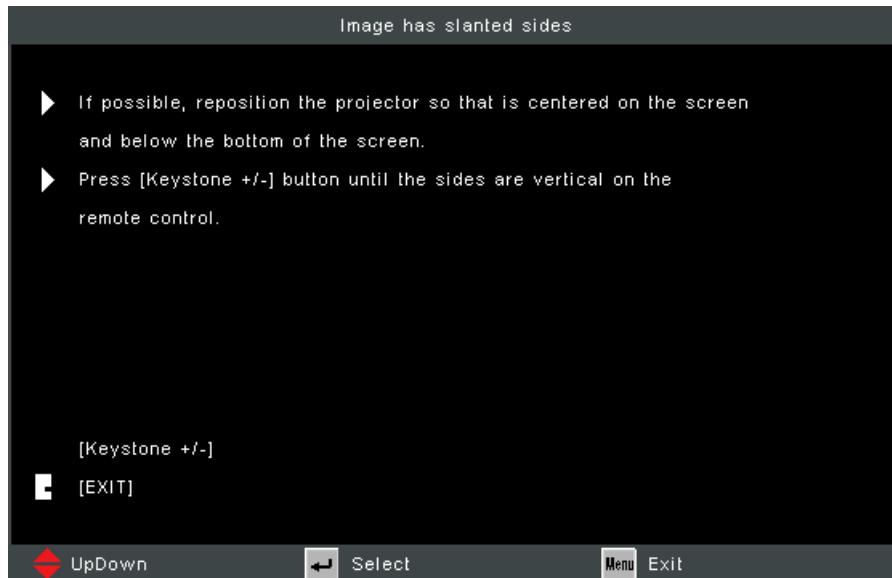
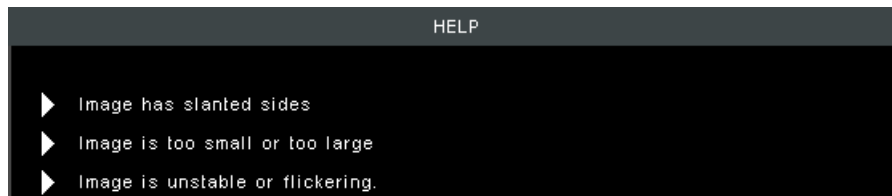
NOTE:

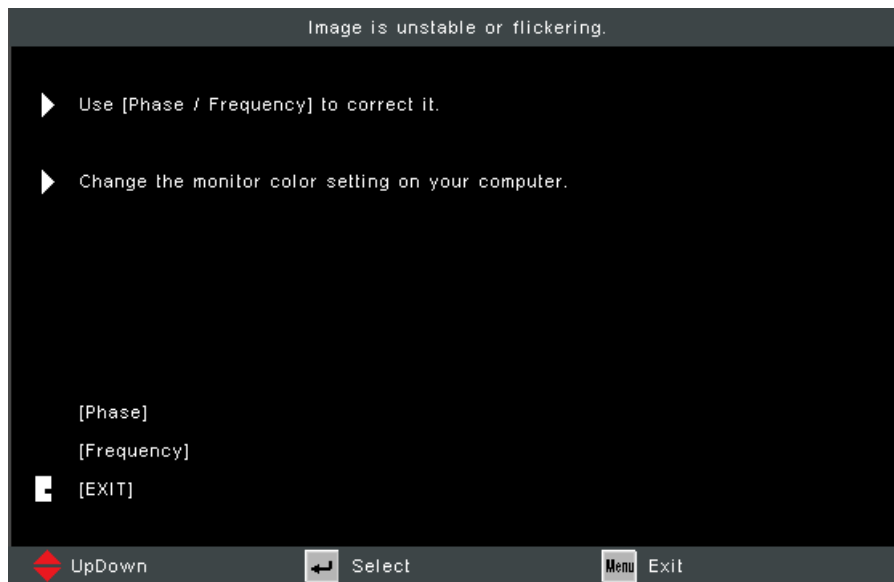
Help Menu

If no input source is detected, the below “Help Menu” will be displayed.



If an input source is detected, the below “Help Menu” will be displayed.

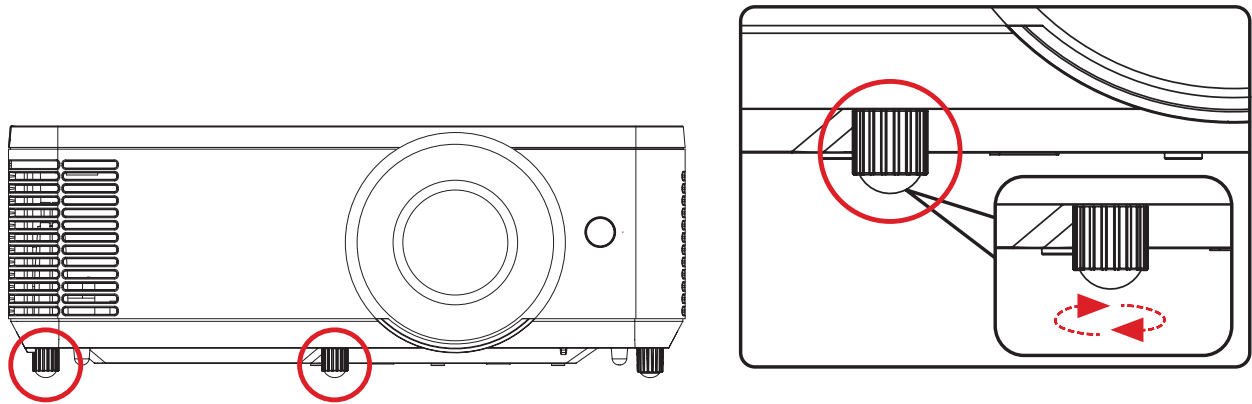




Adjusting the Projected Image

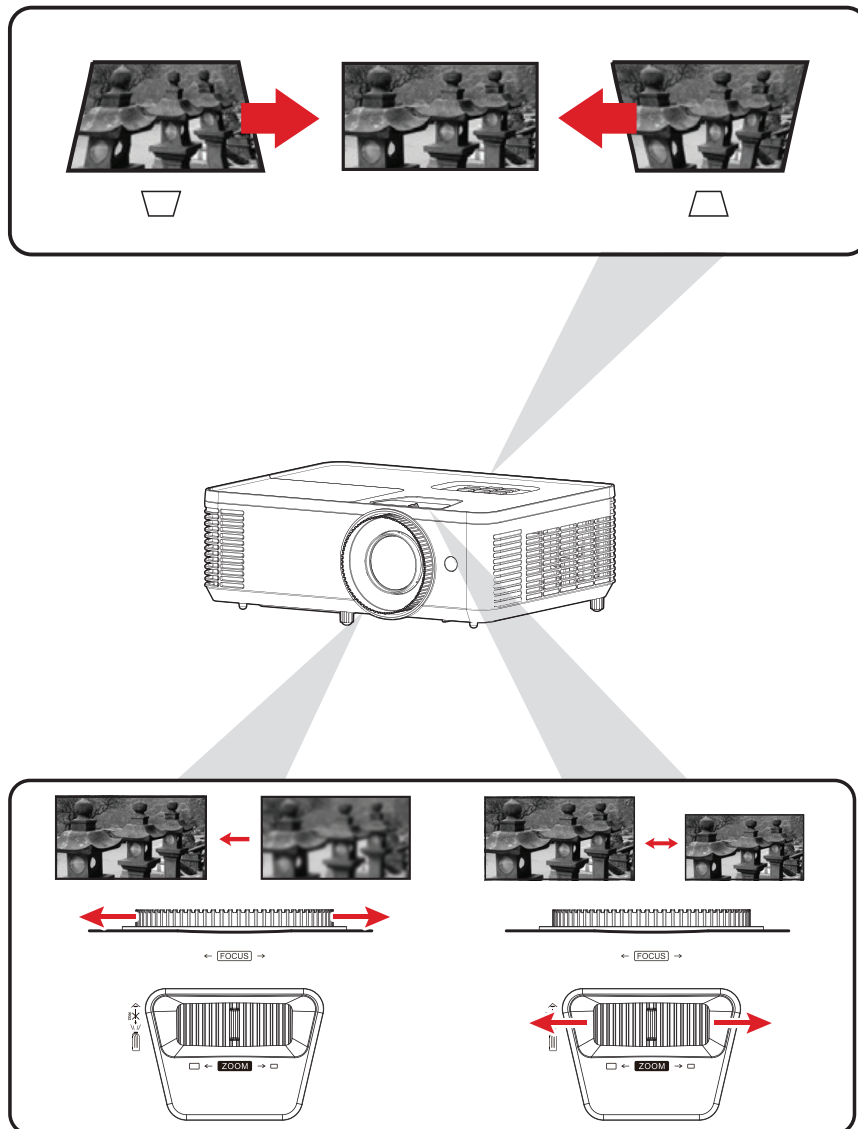
Adjusting the Projector's Height and Projection Angle

The projector is equipped with two (2) adjustment feet. Adjusting the feet will change the projector's height and the vertical projection angle.



Adjusting the Focus, Keystone, and Zoom

You can improve and adjust the clarity and position of the image by adjusting the **Focus Ring**, **Keystone Keys**, or **Zoom Ring**



Shutting Down the Projector

1. Press the **Power** button on the projector or remote control and a “power off message” will appear.

NOTE: The projector cannot be turned off within one minute after starting.

2. Press the **Power** button again to confirm and shut down the projector.

NOTE: The cooling fans will continue to operate for about 10 seconds for the cooling cycle and the Power Indicator Light will flash blue.

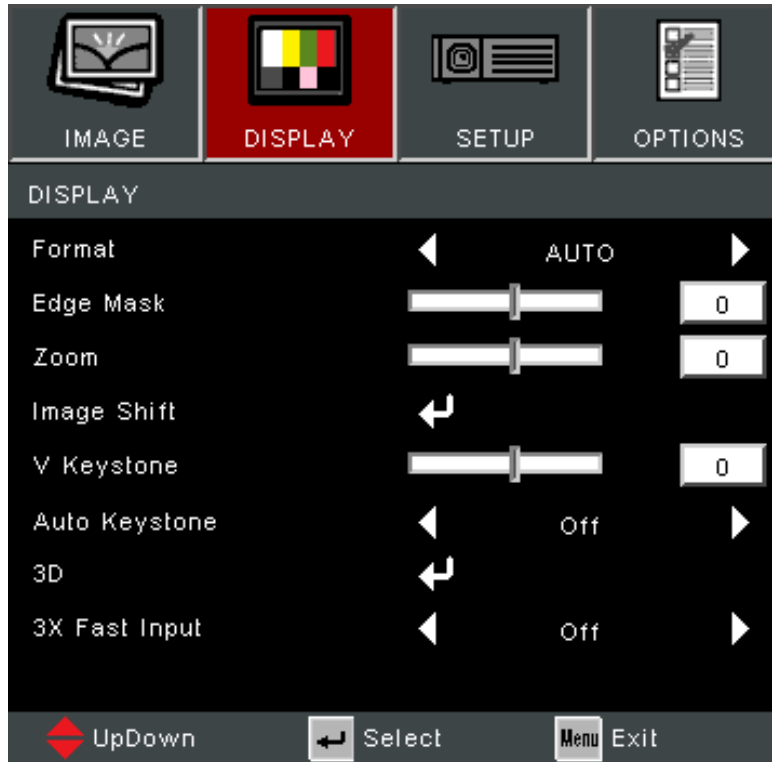
3. The Power Indicator Light will turn solid red and enter standby mode.

NOTE: If you wish to turn the projector back on, you must wait until the cooling cycle has finished and the projector has entered standby mode. When the projector is in standby mode, simply press the **Power** button again to

Operating the Projector

On-Screen Display (OSD) Menu

The projector has multilingual on-screen display menus that allow you to make image adjustments and change a variety of settings.



Menu	Description
Image	Adjust the Display Mode, Brightness, Contrast, and other image related settings.
Display	Adjust the aspect ratio, Zoom, Keystone, and 3D settings.
Setup	Adjust Language, Projection, Security, Audio Settings, and HDMI CEC settings.
Options	Select the Input Source and adjust several projector settings.

Menu Navigation

The projector has multilingual on-screen display menus that allow for image and settings adjustment.

1. To open the On-Screen Display (OSD) Menu, press the **Menu/Exit** button on the projector or the remote control.
2. When the OSD is displayed, use the **Navigation** buttons (**▲▼**) to select any item in the main menu. While making a selection on a particular page, press the **Enter** button on the projector or the remote control to enter a sub-menu.
3. Use the **Navigation** buttons (**◀▶**) to select the desired item in the sub-menu and then press **Enter** to view further settings. Adjust the settings by using the **Navigation** buttons (**◀▶**).
4. Select the next item to be adjusted in the sub-menu and adjust as described above.
5. Press **Enter** to confirm, and the screen will return to the previous menu.
6. To exit, press the **Menu/Exit** button again. The OSD menu will close and the projector will automatically save the new settings.

On-Screen Display (OSD) Menu Tree

Main Menu	Sub-menu	Menu Option		
Image	Display Mode	Standard		
		Bright		
		Movie		
		Gaming		
		Blackboard		
		3D		
	Brightness	(-/+, -50~50)		
	Contrast	(-/+, -50~50)		
	Sharpness	(-/+, 1~15)		
	Color	(-/+, -50~50)		
	Tint	(-/+, -50~50)		
	Advanced		Film	
			Video	
			Graphics	
			Standard	
		BrilliantColor™	(-/+, 1~10)	
Color Temp				
		Medium		
		Cold		

Main Menu	Sub-menu	Menu Option					
Display	Advanced	Color Settings	Red		(-/+, -50~50)		
				Saturation	(-/+, -50~50)		
				Gain	(-/+, -50~50)		
				Exit			
			Green		(-/+, -50~50)		
				Saturation	(-/+, -50~50)		
				Gain	(-/+, -50~50)		
				Exit			
			Blue		(-/+, -50~50)		
				Saturation	(-/+, -50~50)		
				Gain	(-/+, -50~50)		
				Exit			
			Cyan		(-/+, -50~50)		
				Saturation	(-/+, -50~50)		
				Gain	(-/+, -50~50)		
				Exit			
			Magenta		(-/+, -50~50)		
				Saturation	(-/+, -50~50)		
				Gain	(-/+, -50~50)		
				Exit			
			Yellow		(-/+, -50~50)		
				Saturation	(-/+, -50~50)		
				Gain	(-/+, -50~50)		
				Exit			
			White	Red	(-/+, -50~50)		
				Green	(-/+, -50~50)		
				Blue	(-/+, -50~50)		
				Exit			
			Exit				
			Color Space				
						RGB (0~255)	
		RGB (16~235)					
Exit							

Main Menu	Sub-menu	Menu Option	
Display		4:3	
		16:9	
		LBX	
		Native	
	Edge Mask	(-/+ , 0~10)	
	Zoom	(-/+ , -5~25)	
	Image Shift	H (Horizontal)	(-/+ , -100~100)
		V (Vertical)	(-/+ , -100~100)
		Exit	
	V. Keystone	(-/+ , -40~40)	
	Auto Keystone	On	
		Off	
	3D	3D Mode	Off
			DLP-Link
		3D - 2D	3D
			L
		3D Format	
			Side by Side
			Top and Bottom
			Frame Sequential
		3D Sync Invert	On
Off			
Exit			
3x Fast Input	On		
	Off		

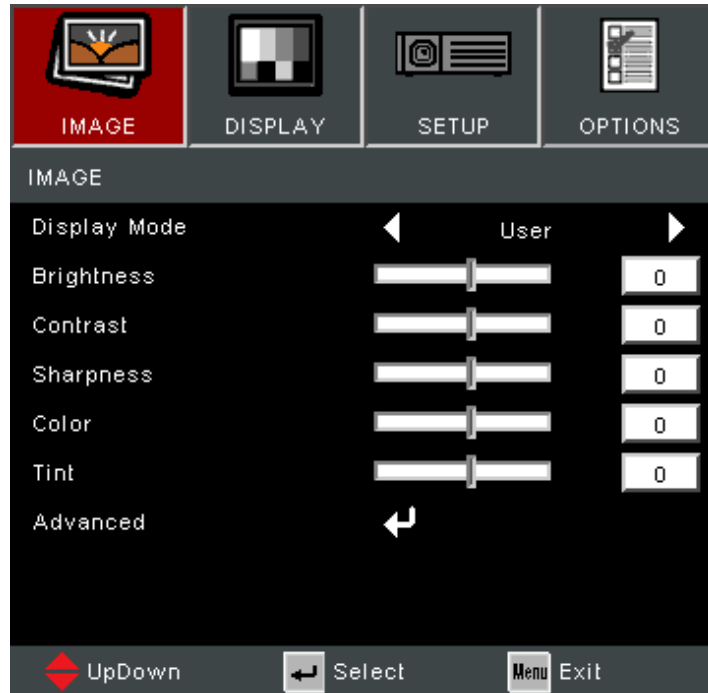
Main Menu	Sub-menu	Menu Option
Setup	Language	English
		Deutsch
		Français
		Italiano
		Español
		Português
		Polski
		Nederlands
		Svenska
		Suomi
		ελληνικά
		繁體中文
		簡體中文
		한국어
		Русский
		Magyar
		Čeština
		عربي
		ไทย
		Türkçe
		Tiếng Việt
		Indonesia
		日本語
	Projection	Front Table
		Front Ceiling
		Rear Ceiling
	Menu Location	Top-Left
		Top-Right
		Center
		Bottom-Left
		Bottom-Right

Main Menu	Sub-menu	Menu Option	
Setup	Security	Security	On
			Off
		Security Timer	Month
			Day
			Exit
			Change Password
		Exit	
	Audio Settings	Mute	On
			Off
			(-/+ , 0~10)
		Audio Input	Default
			AUDIO1
	Exit		
	Advanced	Logo	Default
	HDMI CEC	On	
		Off	
Options	Input Source	HDMI 1	
		HDMI 2	
		Exit	
	Source Lock	On	
		Off	
	High Altitude	On	
		Off	
	Information Hide	On	
		Off	
	Keypad Lock	On	
		Off	
	Test Pattern	Grid	
		White	
	IR Function	On	
Off			

Main Menu	Sub-menu	Menu Option		
Options	Background Color	Black		
		Red		
		Blue		
		Green		
		White		
	Advanced	Direct Power On	On	
			Off	
		Auto Power Off (min)	(-/+ , 0~180) minutes	
		Signal Power On	On	
			Off	
	Exit			
	Lamp Settings	Lamp Hour		
		Lamp Reminder	On	
			Off	
		Brightness Mode	Bright	
			Eco	
			Dynamic	
	Lamp Reset			
	Exit			
	Optional Filter Settings	Optional Filter Installed		
		Filter Usage Hours	0~99999	
		Filter Reminder	Off	
			300 Hr	
			500 Hr	
			800 Hr	
			1000 Hr	
	Filter Reset			
	Exit			

Menu Operation

Image Menu



Menu	Description																
Display Mode	<p>There are several predefined display modes that you can choose from to suit your viewing preference.</p> <table border="1" style="width: 100%; border-collapse: collapse;"> <thead> <tr> <th style="background-color: #ff0000; color: white;">Mode</th> <th style="background-color: #ff0000; color: white;">Description</th> </tr> </thead> <tbody> <tr> <td style="text-align: center;">Standard</td> <td>Suitable for daily circumstances in a daylight environment.</td> </tr> <tr> <td style="text-align: center;">Bright</td> <td>Suitable for bright, well-lit environments.</td> </tr> <tr> <td style="text-align: center;">Movie</td> <td>Provides the best balance of detail and colors for watching movies.</td> </tr> <tr> <td style="text-align: center;">Gaming</td> <td>Suitable for gaming settings.</td> </tr> <tr> <td style="text-align: center;">Blackboard</td> <td>Achieve optimum color settings when projecting onto a blackboard.</td> </tr> <tr> <td style="text-align: center;">User</td> <td>User's custom settings.</td> </tr> <tr> <td style="text-align: center;">3D</td> <td>Optimized for 3D content. NOTE: 3D glasses are needed.</td> </tr> </tbody> </table>	Mode	Description	Standard	Suitable for daily circumstances in a daylight environment.	Bright	Suitable for bright, well-lit environments.	Movie	Provides the best balance of detail and colors for watching movies.	Gaming	Suitable for gaming settings.	Blackboard	Achieve optimum color settings when projecting onto a blackboard.	User	User's custom settings.	3D	Optimized for 3D content. NOTE: 3D glasses are needed.
Mode	Description																
Standard	Suitable for daily circumstances in a daylight environment.																
Bright	Suitable for bright, well-lit environments.																
Movie	Provides the best balance of detail and colors for watching movies.																
Gaming	Suitable for gaming settings.																
Blackboard	Achieve optimum color settings when projecting onto a blackboard.																
User	User's custom settings.																
3D	Optimized for 3D content. NOTE: 3D glasses are needed.																
Brightness	The higher the value, the brighter the image. Lower values will result in a darker image.																
Contrast	Use this to set the peak white level after you have previously adjusted the Brightness setting to suit your selected input and viewing environment.																
Sharpness	A high value results in a sharper picture; a low value softens the picture.																
Color	Adjust an image from black and white to fully saturated color.																

Menu	Description
Tint	The higher the value, the more greenish the picture becomes. The lower the value, the more reddish the picture becomes.
Advanced	<p>_____</p> <p>Reflects the relationship between input source and picture brightness.</p> <p><u>BrilliantColor™</u> A color-processing algorithm and enhancements to enable higher brightness while providing true, more vibrant colors in picture.</p> <p><u>Color Temperature</u> Select from Warm, Medium, or Cold.</p> <p><u>Color Setting</u> Only in permanent installations with controlled lighting levels such as boardrooms, lecture theaters, or home theaters, should color management be considered. Color management provides fine color control adjustment to allow for more accurate color reproduction. Select Primary Color first and adjust its range/values in Hue, Saturation and Gain.</p> <p><u>Color Space</u> Select Auto, RGB (0~255), RGB (16~235), and YUV color space.</p> <p><u>Exit</u> Exit the Advanced menu.</p>

Display Menu



Menu	Description												
Format	<p>Select the aspect ratio of the projected image.</p> <table border="1" data-bbox="608 244 1396 1435"> <thead> <tr> <th data-bbox="608 244 884 293">Aspect Ratio</th> <th data-bbox="884 244 1396 293">Description</th> </tr> </thead> <tbody> <tr> <td data-bbox="608 293 884 566" style="text-align: center;">4:3</td> <td data-bbox="884 293 1396 566">Scales an image so that it is displayed in the center of the screen with a 4:3 aspect ratio. This is most suitable for 4:3 images like computer monitors, standard definition TV, and 4:3 aspect DVD movies, as it displays them without aspect alteration.</td> </tr> <tr> <td data-bbox="608 566 884 801" style="text-align: center;">16:9</td> <td data-bbox="884 566 1396 801">Scales an image so that it is displayed in the center of the screen with a 16:9 aspect ratio. This is most suitable for images which are already in a 16:9 aspect, like high definition TV.</td> </tr> <tr> <td data-bbox="608 801 884 925" style="text-align: center;">LBX</td> <td data-bbox="884 801 1396 925">For non-16:9 letterbox source and if want to display 2.35:1 aspect ratio in full resolution.</td> </tr> <tr> <td data-bbox="608 925 884 1160" style="text-align: center;">Native</td> <td data-bbox="884 925 1396 1160">Projects the image as its original resolution and resizes it to fit within the display area. For input signals with lower resolutions, the projected image will be displayed in its original size.</td> </tr> <tr> <td data-bbox="608 1160 884 1435" style="text-align: center;">Auto</td> <td data-bbox="884 1160 1396 1435">Scales an image proportionally to fit the projector's native resolution in its horizontal width. This is suitable for the incoming image which is neither 4:3 nor 16:9 and you want to make the most use of the screen without altering the image's aspect ratio.</td> </tr> </tbody> </table>	Aspect Ratio	Description	4:3	Scales an image so that it is displayed in the center of the screen with a 4:3 aspect ratio. This is most suitable for 4:3 images like computer monitors, standard definition TV, and 4:3 aspect DVD movies, as it displays them without aspect alteration.	16:9	Scales an image so that it is displayed in the center of the screen with a 16:9 aspect ratio. This is most suitable for images which are already in a 16:9 aspect, like high definition TV.	LBX	For non-16:9 letterbox source and if want to display 2.35:1 aspect ratio in full resolution.	Native	Projects the image as its original resolution and resizes it to fit within the display area. For input signals with lower resolutions, the projected image will be displayed in its original size.	Auto	Scales an image proportionally to fit the projector's native resolution in its horizontal width. This is suitable for the incoming image which is neither 4:3 nor 16:9 and you want to make the most use of the screen without altering the image's aspect ratio.
	Aspect Ratio	Description											
	4:3	Scales an image so that it is displayed in the center of the screen with a 4:3 aspect ratio. This is most suitable for 4:3 images like computer monitors, standard definition TV, and 4:3 aspect DVD movies, as it displays them without aspect alteration.											
	16:9	Scales an image so that it is displayed in the center of the screen with a 16:9 aspect ratio. This is most suitable for images which are already in a 16:9 aspect, like high definition TV.											
	LBX	For non-16:9 letterbox source and if want to display 2.35:1 aspect ratio in full resolution.											
	Native	Projects the image as its original resolution and resizes it to fit within the display area. For input signals with lower resolutions, the projected image will be displayed in its original size.											
Auto	Scales an image proportionally to fit the projector's native resolution in its horizontal width. This is suitable for the incoming image which is neither 4:3 nor 16:9 and you want to make the most use of the screen without altering the image's aspect ratio.												
Edge Mask	Remove the video encoding noise on the edge of the video source.												
Zoom	Reduce or magnify the projected image.												
Image Shift	Adjust the projected image horizontally or vertically.												
V. Keystone	Adjust image distortion vertically.												
Auto Keystone	Automatically correct the keystone.												

Menu	Description																		
3D	<p><u>3D Mode</u> Enable or disable the 3D function.</p> <p><u>3D-2D</u> Select how the 3D content should appear on screen.</p> <table border="1" data-bbox="611 371 1398 629"> <thead> <tr> <th>Option</th> <th>Description</th> </tr> </thead> <tbody> <tr> <td>3D</td> <td>Display the 3D signal.</td> </tr> <tr> <td>L (Left)</td> <td>Display the left frame of the 3D content.</td> </tr> <tr> <td>R (Right)</td> <td>Display the right frame of the 3D content.</td> </tr> </tbody> </table> <p><u>3D Format</u> Select the 3D content format.</p> <p>NOTE: A Blu-ray 3D source will be detected automatically, and options will not be selectable.</p> <table border="1" data-bbox="617 837 1404 1140"> <thead> <tr> <th>Option</th> <th>Description</th> </tr> </thead> <tbody> <tr> <td>Auto</td> <td>When a 3D identification signal is detected, the 3D format is selected automatically.</td> </tr> <tr> <td>Side by Side</td> <td>Display in Side-by-Side format.</td> </tr> <tr> <td>Top and Bottom</td> <td>Display in Top and Bottom format.</td> </tr> <tr> <td>Frame Sequential</td> <td>Display in Frame Sequential format.</td> </tr> </tbody> </table> <p><u>3D Sync Invert</u> Enable or disable the 3D Sync Invert function.</p>	Option	Description	3D	Display the 3D signal.	L (Left)	Display the left frame of the 3D content.	R (Right)	Display the right frame of the 3D content.	Option	Description	Auto	When a 3D identification signal is detected, the 3D format is selected automatically.	Side by Side	Display in Side-by-Side format.	Top and Bottom	Display in Top and Bottom format.	Frame Sequential	Display in Frame Sequential format.
Option	Description																		
3D	Display the 3D signal.																		
L (Left)	Display the left frame of the 3D content.																		
R (Right)	Display the right frame of the 3D content.																		
Option	Description																		
Auto	When a 3D identification signal is detected, the 3D format is selected automatically.																		
Side by Side	Display in Side-by-Side format.																		
Top and Bottom	Display in Top and Bottom format.																		
Frame Sequential	Display in Frame Sequential format.																		
3x Fast Input	<p>When enabled, quick response time in a native timing can be reached. The following settings will also return to factory preset values: Format, Edge Mask, Zoom, Image Shift, V Keystone, Auto Keystone, and 3D functions.</p> <p>NOTE:</p> <p style="padding-left: 40px;">This function is only available when a native timing input signal is selected.</p> <p style="padding-left: 40px;">If you want to adjust Format, Edge Mask, Zoom, Image Shift, V Keystone, Auto Keystone, or 3D function, please disable 3x Fast Input.</p>																		

NOTE: This projector is a 3D ready projector with DLP-Link 3D solution. Please make sure your 3D glasses are for DLP-Link 3D. This projector supports frame sequential (page-flip) 3D via the **HDMI 1/HDMI 2** ports. For the best performance, 1920 x 1080 resolution is recommended. Please note that 4K (3840 x 2160) resolution is not supported in 3D mode.

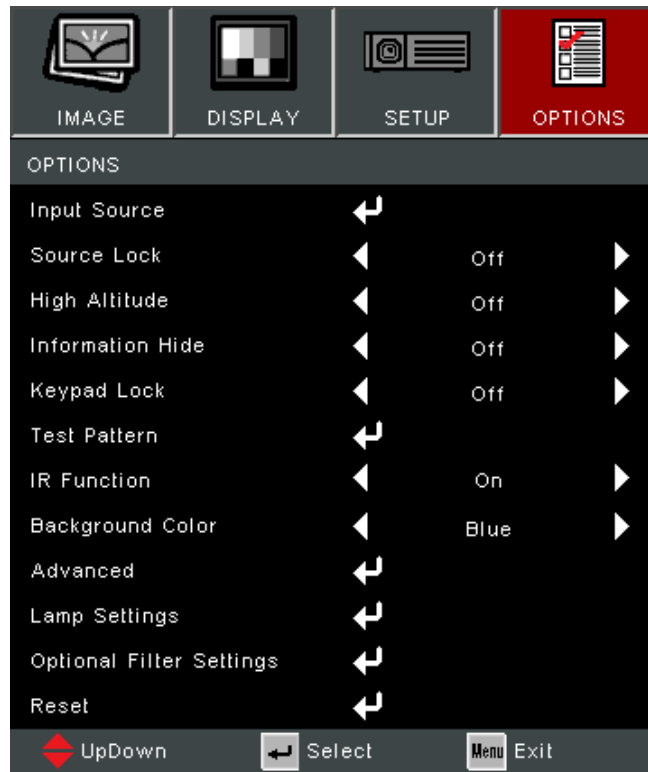
Setup Menu



Menu	Description						
Language	Select the On-Screen Display (OSD) Menu language.						
Projection	Select the preferred projection position.						
Menu Location	Select the location for the On-Screen Display (OSD) Menu.						
Security	<p><u>Security</u> Enable or disable a password prompt before using the projector. NOTE: The default password is: 1234</p> <p><u>Security Timer</u> Set the amount of time the projector can be used. Once this time has elapsed you will be requested to enter your password again.</p> <p><u>Change Password</u> Set or modify the password.</p>						
Audio Settings	<p><u>Mute</u> Temporarily turn off the sound.</p> <p>_____</p> <p>Adjust the volume level.</p> <p><u>Audio Input</u> Select the audio input source.</p> <table border="1"> <thead> <tr> <th>Option</th> <th>Description</th> </tr> </thead> <tbody> <tr> <td>Default</td> <td>Audio from HDMI signal.</td> </tr> <tr> <td>AUDIO1</td> <td>Audio from 3.5mm AUDIO IN port.</td> </tr> </tbody> </table>	Option	Description	Default	Audio from HDMI signal.	AUDIO1	Audio from 3.5mm AUDIO IN port.
Option	Description						
Default	Audio from HDMI signal.						
AUDIO1	Audio from 3.5mm AUDIO IN port.						

Menu	Description						
<p align="center">Advanced</p>	<p><u>Logo</u> Set the “startup screen”. If changes are made, they will take effect the next time the projector is powered on.</p> <table border="1" data-bbox="584 309 1369 483"> <thead> <tr> <th data-bbox="584 309 858 353">Option</th> <th data-bbox="858 309 1369 353">Description</th> </tr> </thead> <tbody> <tr> <td data-bbox="584 353 858 398">Default</td> <td data-bbox="858 353 1369 398">ViewSonic startup screen.</td> </tr> <tr> <td data-bbox="584 398 858 483">Neutral</td> <td data-bbox="858 398 1369 483">Same color as Background Color setting.</td> </tr> </tbody> </table>	Option	Description	Default	ViewSonic startup screen.	Neutral	Same color as Background Color setting.
Option	Description						
Default	ViewSonic startup screen.						
Neutral	Same color as Background Color setting.						
<p align="center">HDMI CEC</p>	<p>When you connect HDMI CEC-compatible devices to the projector with HDMI cables, you can control them on the same power on or power off status using the HDMI CEC control feature in the projector’s OSD. This lets one device or multiple devices in a group power on or power off via HDMI CEC in a typical configuration.</p> <p>NOTE:</p> <p>In order for the CEC function to work properly, make sure that the device is correctly connected to the HDMI input of the projector via an HDMI cable, and its CEC function is turned on.</p> <p>Depending on the connected device, the CEC function may not work.</p> <p>The CEC function supports the projector powering off the device and the device powering on the projector.</p>						

Options Menu



Menu	Description
Input Source	Use this option to enable / disable input sources.
Source Lock	<p><u>On</u> The projector will only search the current input selection.</p> <p><u>Off</u> The projector will search for other signals if the current input signal is lost.</p>
High Altitude	When “On” is selected, the fans will spin faster. This feature is useful in high altitude areas where the air is thin.
Information Hide	Choose “On” to hide the info message. Choose “Off” to show source message.
Keypad Lock	<p>When the keypad lock function is “On”, the control panel will be locked however, the projector can be operated by the remote control. By selecting “Off”, you will be able to use the control panel once more.</p> <p>NOTE: To turn off the keypad lock, press and hold “Enter” key on top of the projector for 5 seconds.</p>
Test Pattern	Select the test pattern from grid and white.
IR Function	Enable/disable remote control operation.
Background Color	Display a black, red, blue, green, or white screen when no input source is available.

Menu	Description								
Advanced	<p><u>Direct Power On</u> Automatically power on the projector when AC power is supplied, without pressing the Power button on the projector or the remote control.</p> <p><u>Auto Power Off</u> A countdown timer will start when there is no signal being sent to the projector. The projector will automatically power off when the countdown has finished (in minutes).</p> <p><u>Signal Power On</u> Automatically power on the projector when a signal is detected from the input source, without pressing the Power button on the projector or on the remote control.</p> <p style="text-align: center;">NOTE: The projector will not power on automatically by HDMI if there is one HDMI cable already connected.</p> <p><u>Exit</u> Exit the Advanced menu.</p>								
Lamp Settings	<p><u>Lamp Hour</u> Displays the lamp hours of the current lamp.</p> <p><u>Lamp Reminder</u> Show or to hide a warning message when the “change lamp message” is displayed.</p> <p><u>Brightness Mode</u></p> <table border="1" data-bbox="584 1227 1369 1563"> <thead> <tr> <th data-bbox="584 1227 858 1272">Option</th> <th data-bbox="858 1227 1369 1272">Description</th> </tr> </thead> <tbody> <tr> <td data-bbox="584 1272 858 1357" style="text-align: center;">Bright</td> <td data-bbox="858 1272 1369 1357">Highest brightness and power consumption.</td> </tr> <tr> <td data-bbox="584 1357 858 1442" style="text-align: center;">Eco</td> <td data-bbox="858 1357 1369 1442">Dim the light output, lowering power consumption.</td> </tr> <tr> <td data-bbox="584 1442 858 1563" style="text-align: center;">Dynamic</td> <td data-bbox="858 1442 1369 1563">Automatically adjust the picture brightness in order to give optimum contrast performance.</td> </tr> </tbody> </table> <p><u>Lamp Reset</u> Resets the Lamp Hour counter. Should be used after replacing the lamp.</p> <p><u>Exit</u> Exit Lamp Settings.</p>	Option	Description	Bright	Highest brightness and power consumption.	Eco	Dim the light output, lowering power consumption.	Dynamic	Automatically adjust the picture brightness in order to give optimum contrast performance.
Option	Description								
Bright	Highest brightness and power consumption.								
Eco	Dim the light output, lowering power consumption.								
Dynamic	Automatically adjust the picture brightness in order to give optimum contrast performance.								

Menu	Description
Optional Filter Settings	<p><u>Optional Filter Installed</u> Select “Yes” to display warning message after a specified number of hours. Select “No” to turn off warning message. NOTE: The default setting is “No”. After installing a filter, please turn on the projector then press Menu, go Options Optional Filter Settings Optional Filter Installed and select Yes.</p> <p><u>Filter Usage Hours</u> Displays the filter hours.</p> <p><u>Filter Reminder</u> Select the number of hours until the filter message is displayed. NOTE: Factory default is 500 hours.</p> <p><u>Filter Reset</u> Reset the dust filter counter after replacing or cleaning the dust filter.</p> <p><u>Exit</u> Exit the Optional Filter Settings menu.</p>
Reset	<p>Return the settings to default. NOTE: When resetting, the following settings will still remain: Auto Keystone, Filter Usage Hours, High Altitude, Lamp hours, Language, Optional Filter installed, Password, Projection, Security, Security Timer, V Keystone.</p>

NOTE:

Acoustic noise level of the projector may increase after installing a dust filter.

For high temperature (> 35°C) or high attitude (> 1524 m) operation conditions, it is recommended to switch to “High Altitude” cooling mode when the dust filter is installed.

It is recommended to clean the dust filter every 100 hours after the dust filter is installed.

Turn off the projector and unplug it from its power source before installing or detaching the filter.

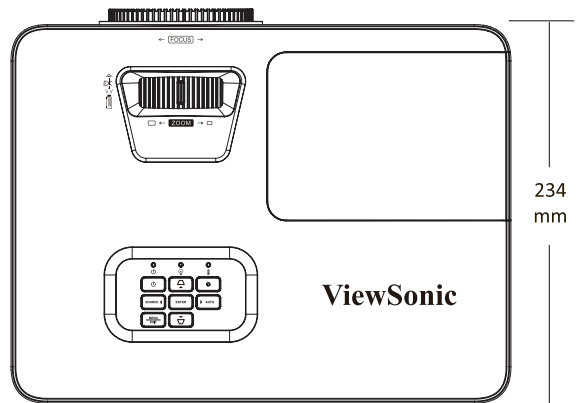
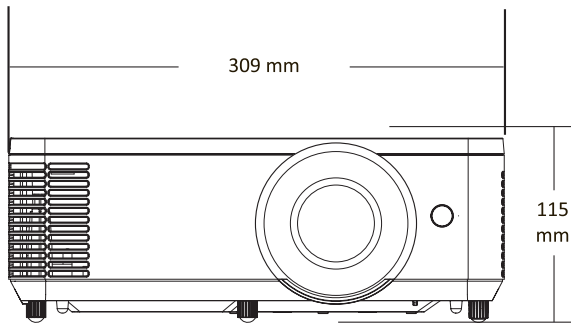
Appendix

Specifications

Item	Category	Specifications
	Throw Ratio	
Resolution	Native	
		v
1		
Operating Conditions		
	Altitude	0 to 772 m (0 to 2,500 ft.) at 0° to 40°C 772 m to 1,524 m (2,500 to 5,000 ft.) at 0° to 35°C 1,524 m to 3,048 m (5,000 to 10,000 ft.) at 0° to 30°C
Storage Conditions		
	Altitude	0 to 12,192 km (0 to 40,000 ft.)
Consumption	2	
	Off	

² The test condition follows EEI standards.

Projector Dimensions



Timing Chart

HDMI PC

Signal	Resolution	Refresh Rate (Hz)
VGA		
SVGA		
XGA		
WXGA		
Quad-VGA		
SXGA		
WXGA+		
UXGA		
WSXGA+		
MAC 16"		
MAC 21"		
Full HD		
WUXGA		

HDMI Video

Signal	Resolution	Refresh Rate (Hz)
HDTV(1080p)		
HDTV(1080i)		
HDTV(720p)		
SDTV(480p)		
SDTV(576p)		
SDTV(480i)		
SDTV(576i)		

HDMI 3D

Signal	Resolution	Refresh Rate (Hz)
Frame Packing		
1080p		
720p		
Side by Side		
1080i		
Top and Bottom		
1080p		
720p		

NOTE:

1080i@25hz and 720p@50hz will run in 100 Hz; other 3D timing will run in

four times the input frame rate (FRC = 4X mode).

is set to six times the input frame rate (FRC = 6X mode).

Troubleshooting

This section describes some common problems that you may experience when

Problem or Issue	Possible Solutions
	<p>Ensure the power cord is properly attached to the</p> <p>wait until it has finished then try to turn on the</p> <p>If the above does not work, try another power outlet or another electrical device with the same</p>
	<p>Ensure the video source cable is connected properly, and that the video source is turned on. If the input source is not selected automatically,</p>
	<p>Adjusting focus with the Focus Ring will help correctly focus the projection lens.</p> <p>Ensure the projector and screen are aligned projector as well as the projection angle and direction.</p>
<p>The image is reversed</p>	<p style="text-align: right;">Setup Projection</p> <p>and adjust the projection option.</p>
<p>when projecting a 16:9</p>	<p>If you play a 4:3 format DVD title, please change aspect ratio on the DVD player.</p>

Problem or Issue	Possible Solutions
	Ensure there are no obstacles between the remote The batteries may be out of power, please check
	Turn off the projector and unplug the power cord.

LED Indicators

When the warning indicators (see below) light up or flash, the projector will automatically shutdown. Unplug the power cord from the projector, wait for 30 seconds and try again. If the warning indicators light up or flash, please contact your nearest service center for assistance.

Status and Description	Power Indicator Light		Temperature Indicator Light	Light Source Indicator Light
	Red	Blue	Red	Red
Standby State (Power cord input)				
Power On (Warming)		(0.5 sec off/0.5		
Power On and Lamp Lighting				
Power Off (Cooling)		(0.5 sec off/0.5 turns off.		
Error (Lamp failure)				
Error (Fan failure)				
Error (Overheat)				

Maintenance

General Precautions

Make sure the projector is turned off and the power cable is unplugged from the

Never remove any parts from the projector. Contact ViewSonic® or a reseller

Never spray or pour any liquid directly onto the case.

Handle the projector with care, as a darker-colored projector, if scuffed, may

Cleaning the Lens

Use a canister of compressed air to remove dust.

If the lens is still not clean, use lens-cleaning paper or moisten a soft cloth with

CAUTION: Never rub the lens with abrasive materials.

Cleaning the Case

Use a soft, lint-free, dry cloth to remove dirt or dust.

If the case is still not clean, apply a small amount of non-ammonia, non-alcohol based, mild non-abrasive detergent onto a clean, soft, lint-free cloth, then wipe

CAUTION: Never use wax, alcohol, benzene, thinner, or other chemical

Storing the Projector

If you intend to store the projector for an extended period of time:

Ensure the temperature and humidity of the storage area are within the

Remove the batteries from the remote control.

Pack the projector in its original packaging or equivalent.

Disclaimer

cleaners on the lens or case. Some chemical cleaners have been reported to

ViewSonic® will not be liable for damage resulting from use of any ammonia or

Regulatory and Service Information

Compliance Information

This section addresses all connected requirements and statements regarding regulations. Confirmed corresponding applications shall refer to nameplate labels and relevant markings on the unit.

FCC Compliance Statement

This device complies with part 15 of FCC Rules. Operation is subject to the following two conditions: (1) this device may not cause harmful interference, and (2) this device must accept any interference received, including interference that may cause undesired operation. This equipment has been tested and found to comply with the limits for a Class B digital device, pursuant to part 15 of the FCC Rules.

These limits are designed to provide reasonable protection against harmful interference in a residential installation. This equipment generates, uses, and can radiate radio frequency energy, and if not installed and used in accordance with the instructions, may cause harmful interference to radio communications. However, there is no guarantee that interference will not occur in a particular installation. If this equipment does cause harmful interference to radio or television reception, which can be determined by turning the equipment off and on, the user is encouraged to try to correct the interference by one or more of the following measures:

- Reorient or relocate the receiving antenna.

- Increase the separation between the equipment and receiver.

- Connect the equipment into an outlet on a circuit different from that to which the receiver is connected.

- Consult the dealer or an experienced radio/TV technician for help.

Warning: You are cautioned that changes or modifications not expressly approved by the party responsible for compliance could void your authority to operate the equipment.

Industry Canada Statement

This Class B digital apparatus complies with Canadian ICES-003.

Cet appareil numérique de classe B est conforme à la norme NMB-003 du Canada.

CAN ICES-003(B) / NMB-003(B)

CE Conformity for European Countries

CE The device complies with the EMC Directive 2014/30/EU and Low Voltage Directive 2014/35/EU. Ecodesign Directive 2009/125/EC.

The following information is only for EU-member states:

The mark shown to the right is in compliance with the Waste Electrical and Electronic Equipment Directive 2012/19/EU (WEEE). The mark indicates the requirement NOT to dispose of the equipment as unsorted municipal waste, but use the return and collection systems according to local law.



Declaration of RoHS2 Compliance

This product has been designed and manufactured in compliance with Directive 2011/65/EU of the European Parliament and the Council on restriction of the use of certain hazardous substances in electrical and electronic equipment (RoHS2 Directive) and is deemed to comply with the maximum concentration values issued by the European Technical Adaptation Committee (TAC) as shown below:

Substance	Proposed Maximum Concentration	Actual Concentration
Lead (Pb)	0.1%	< 0.1%
Mercury (Hg)	0.1%	< 0.1%
Cadmium (Cd)	0.01%	< 0.01%
Hexavalent Chromium (Cr6 ⁺)	0.1%	< 0.1%
Polybrominated biphenyls (PBB)	0.1%	< 0.1%
Polybrominated diphenyl ethers (PBDE)	0.1%	< 0.1%
Bis (2-ethylhexyl) phthalate (DEHP)	0.1%	< 0.1%
Butyl benzyl phthalate (BBP)	0.1%	< 0.1%
Dibutyl phthalate (DBP)	0.1%	< 0.1%
Diisobutyl phthalate (DIBP)	0.1%	< 0.1%

Certain components of products as stated above are exempted under the Annex III of the RoHS2 Directives as noted below. Examples of exempted components are:

Mercury in cold cathode fluorescent lamps and external electrode fluorescent lamps (CCFL and EEFL) for special purposes not exceeding (per lamp):

- » Short length (500 mm): maximum 3.5 mg per lamp.
- » Medium length (> 500 mm and 1,500 mm): maximum 5 mg per lamp.
- » Long length (> 1,500 mm): maximum 13 mg per lamp.

Lead in glass of cathode ray tubes.

Lead in glass of fluorescent tubes not exceeding 0.2% by weight.

Lead as an alloying element in aluminum containing up to 0.4% lead by weight.

Copper alloy containing up to 4% lead by weight.

Lead in high melting temperature type solders (i.e. lead-based alloys containing 85% by weight or more lead).

Electrical and electronic components containing lead in a glass or ceramic other than dielectric ceramic in capacitors, e.g. piezoelectronic devices, or in a glass or ceramic matrix compound.

Indian Restriction of Hazardous Substances

Restriction on Hazardous Substances statement (India). This product complies with the “India E-waste Rule 2011” and prohibits use of lead, mercury, hexavalent chromium, polybrominated biphenyls or polybrominated diphenyl ethers in concentrations exceeding 0.1 weight % and 0.01 weight % for cadmium, except for the exemptions set in Schedule 2 of the Rule.

Product Disposal at End of Product Life

ViewSonic® respects the environment and is committed to working and living green. Thank you for being part of Smarter, Greener Computing. Please visit the ViewSonic® website to learn more.

USA & Canada:

<https://www.viewsonic.com/us/go-green-with-viewsonic>

Europe:

<https://www.viewsonic.com/eu/go-green-with-viewsonic>

Taiwan:

<https://recycle.moenv.gov.tw/>

For EU users, please contact us for any safety/accident issue experienced with this product:

ViewSonic Europe Limited



Haaksbergweg 75
1101 BR Amsterdam
Netherlands



+31 (0) 650608655



EPREL@viewsoniceurope.com



<https://www.viewsonic.com/eu/>

Copyright Information

Copyright© ViewSonic® Corporation, 2023. All rights reserved.

Macintosh and Power Macintosh are registered trademarks of Apple Inc.

Microsoft, Windows, and the Windows logo are registered trademarks of Microsoft Corporation in the United States and other countries.

ViewSonic® and the three birds logo are registered trademarks of ViewSonic® Corporation.

VESA is a registered trademark of the Video Electronics Standards Association. DPMS, DisplayPort, and DDC are trademarks of VESA.

ENERGY STAR® is a registered trademark of the U.S. Environmental Protection Agency (EPA).

As an ENERGY STAR® partner, ViewSonic® Corporation has determined that this product meets the ENERGY STAR® guidelines for energy efficiency.

Disclaimer: ViewSonic® Corporation shall not be liable for technical or editorial errors or omissions contained herein; nor for incidental or consequential damages resulting from furnishing this material, or the performance or use of this product.

In the interest of continuing product improvement, ViewSonic® Corporation reserves the right to change product specifications without notice. Information in this document may change without notice.

No part of this document may be copied, reproduced, or transmitted by any means, for any purpose without prior written permission from ViewSonic® Corporation.

Customer Service

For technical support or product service, see the table below or contact your reseller.

NOTE: You will need the product's serial number.

Country/ Region	Website	Country/ Region	Website
Asia Pacific & Africa			
Australia	www.viewsonic.com/au/	Bangladesh	www.viewsonic.com/bd/
中国 (China)	www.viewsonic.com.cn	香港 (繁體中文)	www.viewsonic.com/hk/
Hong Kong (English)	www.viewsonic.com/hk-en/	India	www.viewsonic.com/in/
Indonesia	www.viewsonic.com/id/	Israel	www.viewsonic.com/il/
日本 (Japan)	www.viewsonic.com/jp/	Korea	www.viewsonic.com/kr/
Malaysia	www.viewsonic.com/my/	Middle East	www.viewsonic.com/me/
Myanmar	www.viewsonic.com/mm/	Nepal	www.viewsonic.com/np/
New Zealand	www.viewsonic.com/nz/	Pakistan	www.viewsonic.com/pk/
Philippines	www.viewsonic.com/ph/	Singapore	www.viewsonic.com/sg/
臺灣 (Taiwan)	www.viewsonic.com/tw/	ประเทศไทย	www.viewsonic.com/th/
Việt Nam	www.viewsonic.com/vn/	South Africa & Mauritius	www.viewsonic.com/za/
Americas			
United States	www.viewsonic.com/us	Canada	www.viewsonic.com/us
Latin America	www.viewsonic.com/la		
Europe			
Europe	www.viewsonic.com/eu/	France	www.viewsonic.com/fr/
Deutschland	www.viewsonic.com/de/	Қазақстан	www.viewsonic.com/kz/
Россия	www.viewsonic.com/ru/	España	www.viewsonic.com/es/
Türkiye	www.viewsonic.com/tr/	Україна	www.viewsonic.com/ua/
United Kingdom	www.viewsonic.com/uk/		

Limited Warranty

ViewSonic® Projector

What the warranty covers:

ViewSonic® warrants its products to be free from defects in material and workmanship, under normal use, during the warranty period. If a product proves to be defective in material or workmanship during the warranty period, ViewSonic® will, at its sole option, repair or replace the product with a like product. Replacement product or parts may include remanufactured or refurbished parts or components.

Limited Three (3) year General Warranty:

Subject to the more limited one (1) year warranty set out below, North and South America: Three (3) years warranty for all parts excluding the lamp, three (3) years for labor, and one (1) year for the original lamp from the date of the first consumer purchase.

Other regions or countries: Please check with your local dealer or local ViewSonic® office for the warranty information.

Limited One (1) year Heavy Usage Warranty:

Under heavy usage settings, where a projector's use includes more than fourteen (14) hours average daily usage, North and South America: One (1) year warranty for all parts excluding the lamp, one (1) year for labor, and ninety (90) days for the original lamp from the date of the first consumer purchase; Europe: One (1) year warranty for all parts excluding the lamp, one (1) year for labor, and ninety (90) days for the original lamp from the date of the first consumer purchase. Other regions or countries: Please check with your local dealer or local ViewSonic® office for the warranty information. Lamp warranty subject to terms and conditions, verification and approval. Applies to manufacturer's installed lamp only. All accessory lamps purchased separately are warranted for 90 days.

Who the warranty protects:

This warranty is valid only for the first consumer purchaser.

What the warranty does not cover:

1. Any product on which the serial number has been defaced, modified, or removed.

2. Damage, deterioration, or malfunction resulting from:

- » Accident, misuse, neglect, fire, water, lightning, or other acts of nature, unauthorized product modification, or failure to follow instructions supplied with the product.
- » Operation outside of product specifications.
- » Operation of the product for other than the normal intended use or not under normal conditions.
- » Repair or attempted repair by anyone not authorized by ViewSonic®.
- » Any damage of the product due to shipment.
- » Removal or installation of the product.
- » Causes external to the product, such as electric power fluctuations or failure.
- » Use of supplies or parts not meeting Viewsonic's specifications.
- » Normal wear and tear.
- » Any other cause which does not relate to a product defect.

3. Removal, installation, and set-up service charges.

How to get service:

1. For information about receiving service under warranty, contact ViewSonic® Customer Support (Please refer to the "Customer Support" page). You will need to provide your product's serial number.
2. To obtain warranted service, you will be required to provide: (a) the original dated sales slip, (b) your name, (c) your address, (d) a description of the problem, and (e) the serial number of the product.
3. Take or ship the product, freight prepaid, in the original container to an authorized ViewSonic® service center or ViewSonic®.
4. For additional information or the name of the nearest ViewSonic® service center, contact ViewSonic®.

Limitation of implied warranties:

There are no warranties, express or implied, which extend beyond the description contained herein including the implied warranty of merchantability and fitness for a particular purpose.

Exclusion of damages:

ViewSonic's liability is limited to the cost of repair or replacement of the product. ViewSonic® shall not be liable for:

1. Damage to other property caused by any defects in the product, damages based upon inconvenience, loss of use of the product, loss of time, loss of profits, loss of business opportunity, loss of goodwill, interference with business relationships, or other commercial loss, even if advised of the possibility of such damages.
2. Any other damages, whether incidental, consequential or otherwise.
3. Any claim against the customer by any other party.

Effect of state law:

This warranty gives you specific legal rights, and you may also have other rights which vary from local authority. Some local governments do not allow limitations on implied warranties and/or do not allow the exclusion of incidental or consequential damages, so the above limitations and exclusions may not apply to you.

Sales outside the U.S.A. and Canada:

For warranty information and service on ViewSonic® products sold outside of the U.S.A. and Canada, contact ViewSonic® or your local ViewSonic® dealer.

The warranty period for this product in mainland China (Hong Kong, Macao, and Taiwan Excluded) is subject to the terms and conditions of the Maintenance Guarantee Card.

For users in Europe and Russia, full details of warranty provided can be found at: <http://www.viewsonic.com/eu/> under "Support/Warranty Information".

Mexico Limited Warranty

ViewSonic® Projector

What the warranty covers:

ViewSonic® warrants its products to be free from defects in material and workmanship, under normal use, during the warranty period. If a product proves to be defective in material or workmanship during the warranty period, ViewSonic® will, at its sole option, repair or replace the product with a like product. Replacement product or parts may include remanufactured or refurbished parts or components & accessories.

How long the warranty is effective:

3 years for all parts excluding the lamp, 3 years for labor, 1 year for the original lamp from the date of the first consumer purchase.

Lamp warranty subject to terms and conditions, verification and approval. Applies to manufacturer's installed lamp only.

All accessory lamps purchased separately are warranted for 90 days.

Who the warranty protects:

This warranty is valid only for the first consumer purchaser.

What the warranty excludes and does not cover:

1. Any product on which the serial number has been defaced, modified or removed.
2. Damage, deterioration, or malfunction resulting from:
 - » Accident, misuse, neglect, fire, water, lightning, or other acts of nature, unauthorized product modification, unauthorized attempted repair, or failure to follow instructions supplied with the product.
 - » Any damage of the product due to shipment.
 - » Causes external to the product, such as electrical power fluctuations or failure.
 - » Use of supplies or parts not meeting ViewSonic®'s specifications.
 - » Normal wear and tear.
 - » Any other cause which does not relate to a product defect.
3. Any product exhibiting a condition commonly known as "image burn-in" which results when a static image is displayed on the product for an extended period of time.
4. Removal, installation, insurance, and set-up service charges.

How to get service:

For information about receiving service under warranty, contact ViewSonic® Customer Support (Please refer to the attached “Customer Service” page). You will need to provide your product’s serial number, so please record the product information in the space provided below on your purchase for your future use. Please retain your receipt of proof of purchase to support your warranty claim.

For Your Records

Product Name: _____ Model Number: _____

Document Number: _____ Serial Number: _____

Purchase Date: _____ Extended Warranty Purchase? _____ (Y/N)

If so, what date does warranty expire? _____

1. To obtain warranty service, you will be required to provide (a) the original dated sales slip, (b) your name, (c) your address, (d) a description of the problem, and (e) the serial number of the product.
2. Take or ship the product, in the original container packaging, to an authorized ViewSonic® service center.
3. Round trip transportation costs for in-warranty products will be paid by ViewSonic®.

Limitation of implied warranties:

There are no warranties, express or implied, which extend beyond the description contained herein including the implied warranty of merchantability and fitness for a particular purpose.

Exclusion of damages:

ViewSonic®’s liability is limited to the cost of repair or replacement of the product. ViewSonic® shall not be liable for:

1. Damage to other property caused by any defects in the product, damages based upon inconvenience, loss of use of the product, loss of time, loss of profits, loss of business opportunity, loss of goodwill, interference with business relationships, or other commercial loss, even if advised of the possibility of such damages.
2. Any other damages, whether incidental, consequential or otherwise.
3. Any claim against the customer by any other party.
4. Repair or attempted repair by anyone not authorized by ViewSonic®.

Contact Information for Sales & Authorized Service (Centro Autorizado de Servicio) within Mexico:

Name, address, of manufacturer and importers:

México, Av. de la Palma #8 Piso 2 Despacho 203, Corporativo Interpalmas,
Col. San Fernando Huixquilucan, Estado de México
Tel: (55) 3605-1099 <http://www.viewsonic.com/la/soporte/index.htm>

NÚMERO GRATIS DE ASISTENCIA TÉCNICA PARA TODO MÉXICO: 001.866.823.2004

<p>Hermosillo: Distribuciones y Servicios Computacionales SA de CV. Calle Juarez 284 local 2 Col. Bugambilias C.P: 83140 Tel: 01-66-22-14-9005 E-Mail: disc2@hmo.megared.net.mx</p>	<p>Villahermosa: Compumantenimientos Garantizados, S.A. de C.V. AV. GREGORIO MENDEZ #1504 COL, FLORIDA C.P. 86040 Tel: 01 (993) 3 52 00 47 / 3522074 / 3 52 20 09 E-Mail: compumantenimientos@prodigy.net.mx</p>
<p>Puebla, Pue. (Matriz): RENTA Y DATOS, S.A. DE C.V. Domicilio: 29 SUR 721 COL. LA PAZ 72160 PUEBLA, PUE. Tel: 01(52).222.891.55.77 CON 10 LINEAS E-Mail: datos@puebla.megared.net.mx</p>	<p>Veracruz, Ver.: CONEXION Y DESARROLLO, S.A DE C.V. Av. Americas # 419 ENTRE PINZÓN Y ALVARADO Fracc. Reforma C.P. 91919 Tel: 01-22-91-00-31-67 E-Mail: gacosta@qplus.com.mx</p>
<p>Chihuahua: Soluciones Globales en Computación C. Magisterio # 3321 Col. Magisterial Chihuahua, Chih. Tel: 4136954 E-Mail: Cefeo@soluglobales.com</p>	<p>Cuernavaca: Compusupport de Cuernavaca SA de CV Francisco Leyva # 178 Col. Miguel Hidalgo C.P. 62040, Cuernavaca Morelos Tel: 01 777 3180579 / 01 777 3124014 E-Mail: aquevedo@compusupportcva.com</p>
<p>Distrito Federal: QPLUS, S.A. de C.V. Av. Coyoacán 931 Col. Del Valle 03100, México, D.F. Tel: 01(52)55-50-00-27-35 E-Mail : gacosta@qplus.com.mx</p>	<p>Guadalajara, Jal.: SERVICRECE, S.A. de C.V. Av. Niños Héroes # 2281 Col. Arcos Sur, Sector Juárez 44170, Guadalajara, Jalisco Tel: 01(52)33-36-15-15-43 E-Mail: mmiranda@servicrece.com</p>
<p>Guerrero Acapulco: GS Computación (Grupo Sesicomp) Progreso #6-A, Colo Centro 39300 Acapulco, Guerrero Tel: 744-48-32627</p>	<p>Monterrey: Global Product Services Mar Caribe # 1987, Esquina con Golfo Pérsico Fracc. Bernardo Reyes, CP 64280 Monterrey N.L. México Tel: 8129-5103 E-Mail: aydeem@gps1.com.mx</p>
<p>MERIDA: ELECTROSER Av Reforma No. 403Gx39 y 41 Mérida, Yucatán, México CP97000 Tel: (52) 999-925-1916 E-Mail: rrrb@sureste.com</p>	<p>Oaxaca, Oax.: CENTRO DE DISTRIBUCION Y SERVICIO, S.A. de C.V. Murguía # 708 P.A., Col. Centro, 68000, Oaxaca Tel: 01(52)95-15-15-22-22 Fax: 01(52)95-15-13-67-00 E-Mail. gpotai2001@hotmail.com</p>
<p>Tijuana: STD Av Ferrocarril Sonora #3780 L-C Col 20 de Noviembre Tijuana, Mexico</p>	<p>FOR USA SUPPORT: ViewSonic® Corporation 381 Brea Canyon Road, Walnut, CA. 91789 USA Tel: 800-688-6688 E-Mail: http://www.viewsonic.com</p>

