



**LS750WU
DLP Projector
Quick Start Guide**

快速安装说明
快速入門指南
빠른 시작 가이드
クイックスタートガイド
Ръководство за бърз старт
Vodič za brzo pokretanje
Úvodní příručka
Aan de slag
Pika-aloitusopas
Guide de démarrage rapide
Schnellstarthandbuch
Οδηγός γρήγορης εκκίνησης
Első lépések
Guida introduttiva

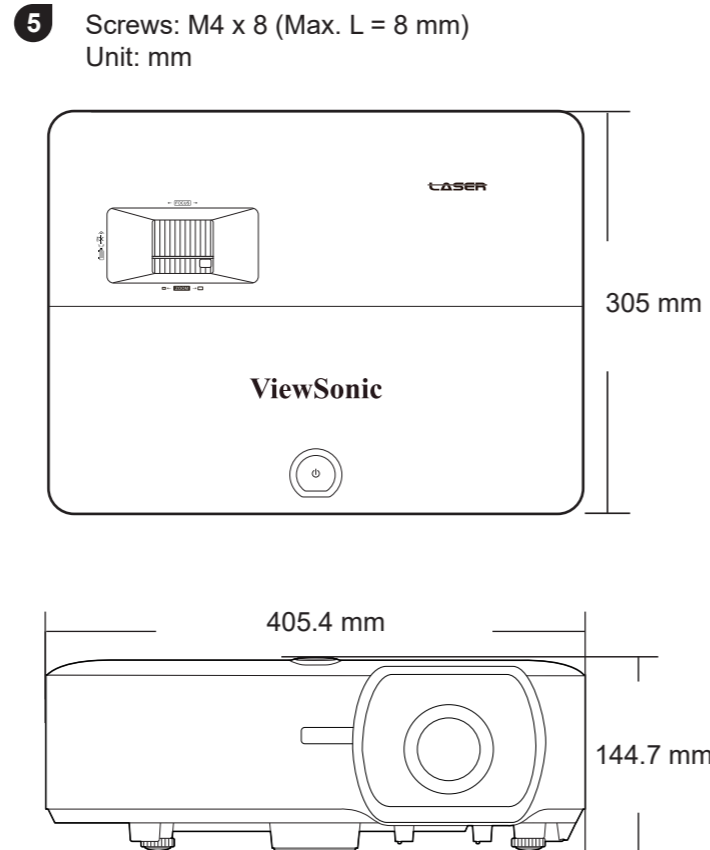
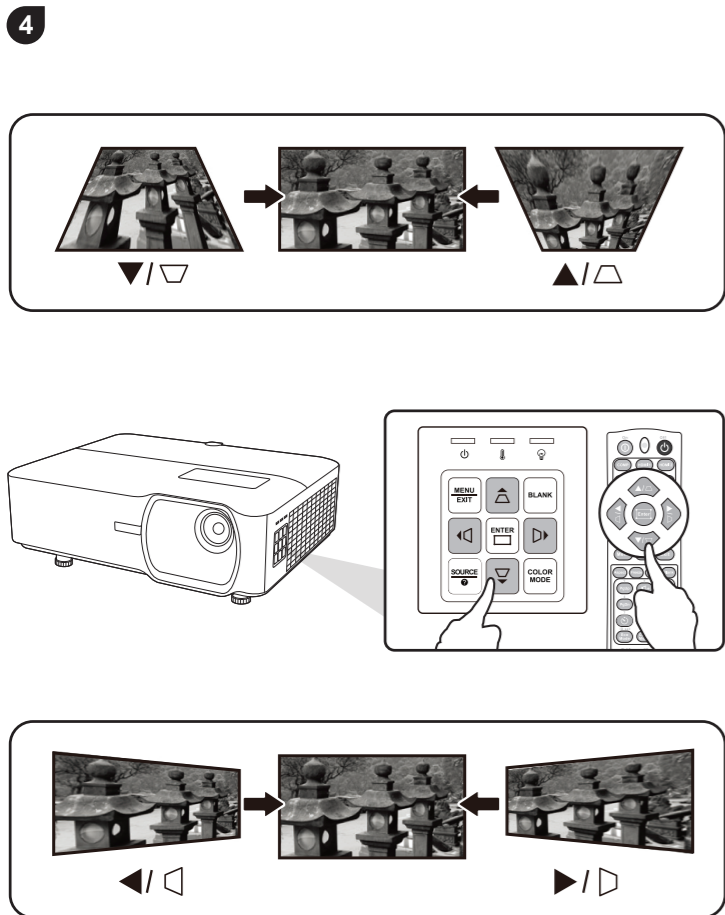
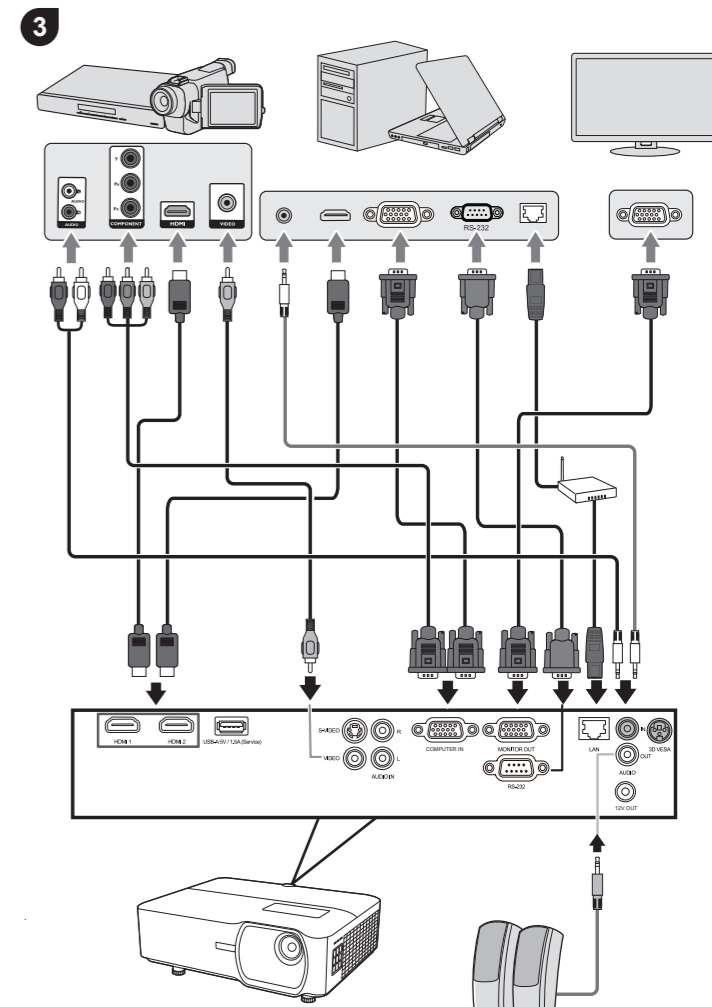
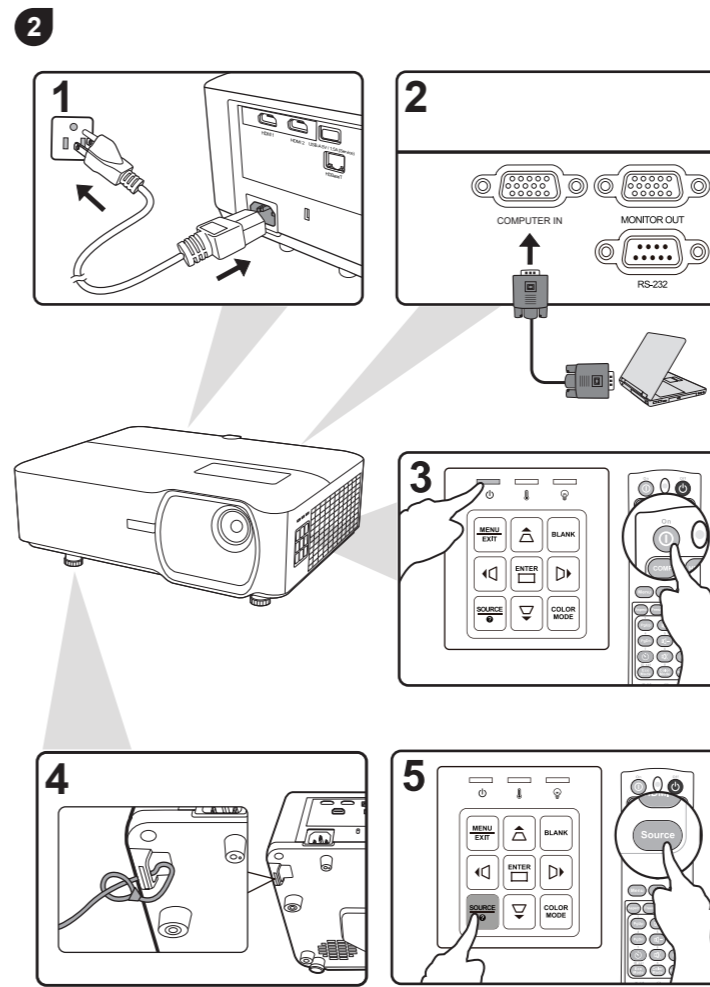
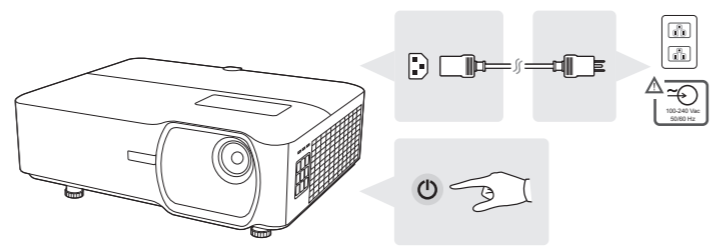
Przewodnik Szybki start
Guia de Inicio Rápido
Ghid de pornire rapidă
краткое руководство по началу работы
Vodič za brzi početak
Priručka so stručným návodom
Vodnik za hitri začetek
Guia de inicio rápido
Snabbstartsguide
Hızlı Başlangıç Kılavuzu
короткий посібник користувача
Panduan Mulai Cepat
دليل البدء السريع



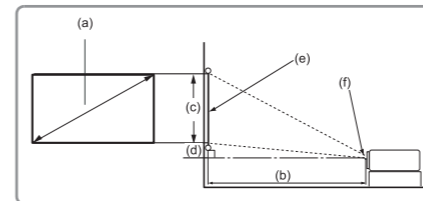
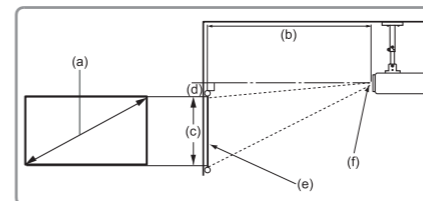
ViewSonic Projector



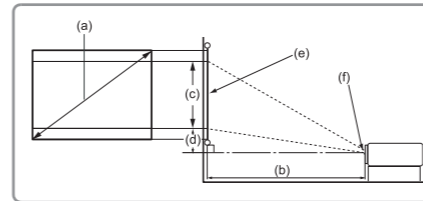
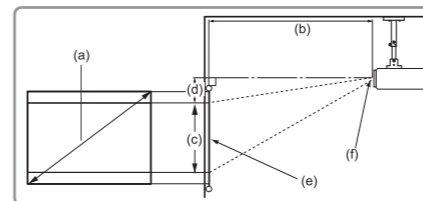
Download Link
<http://vsweb.us/q/dn.php>



• 16:10 image on a 16:10 screen



• 16:10 image on a 4:3 screen



16:10 image on a 16:10 Screen											
(a) Screen Size	(b) Projection distance				(c) Image height		(d) Vertical offset				
	min.		max.		height		min.		max.		
inch	mm	inch	mm	inch	mm	inch	mm	inch	mm	inch	mm
30	762	29	724	37	941	16	404	0.0	0.0	0.0	0
40	1016	38	966	49	1255	21	538	0.0	0.0	0.0	0
50	1270	48	1207	62	1569	26	673	0.0	0.0	0.0	0
60	1524	57	1448	74	1883	32	808	0.0	0.0	0.0	0
70	1778	67	1690	86	2197	37	942	0.0	0.0	0.0	0
80	2032	76	1931	99	2510	42	1077	0.0	0.0	0.0	0
90	2286	86	2172	111	2824	48	1212	0.0	0.0	0.0	0
100	2540	95	2414	124	3138	53	1346	0.0	0.0	0.0	0
120	3048	114	2897	148	3766	64	1615	0.0	0.0	0.0	0
150	3810	143	3621	185	4707	79	2019	0.0	0.0	0.0	0
200	5080	190	4828	247	6276	106	2692	0.0	0.0	0.0	0
250	6350	238	6034	309	7845	132	3365	0.0	0.0	0.0	0
300	7620	285	7241	371	9414	159	4039	0.0	0.0	0.0	0

16:10 image on a 4:3 Screen											
(a) Screen Size	(b) Projection distance				(c) Image height		(d) Vertical offset				
	min.		max.		height		min.		max.		
inch	mm	inch	mm	inch	mm	inch	mm	inch	mm	inch	mm
30	762	54	1366	70	1776	30	762	0.0	0	0.0	0
40	1016	63	1594	82	2072	35	889	0.0	0	0.0	0
50	1270	72	1822	93	2368	40	1016	0.0	0	0.0	0
60	1524	81	2049	105	2664	45	1143	0.0	0	0.0	0
70	1778	90	2277	117	2960	50	1270	0.0	0	0.0	0
80	2032	99	2505	128	3256	55	1397	0.0	0	0.0	0
90	2286	108	2733	140	3552	60	1524	0.0	0	0.0	0
100	2540	117	2960	152	3848	65	1651	0.0	0	0.0	0
120	3048	126	3188	163	4144	70	1778	0.0	0	0.0	0
150	3810	134	3416	175	4440	75	1905	0.0	0	0.0	0
200	5080	143	3643	186	4737	80	2032	0.0	0	0.0	0
250	6350	152	3871	198	5033	85	2159	0.0	0	0.0	0
300	7620	161	4099	210	5329	90	2286	0.0	0	0.0	0

There is 3% tolerance among these numbers due to optical component variations. It is recommended that if you intend to permanently install the projector, you should physically test the projection size and distance using the actual projector in situ before you permanently install it, so as to make allowance for this projector's optical characteristics. This will help you determine the exact mounting position so that it best suits your installation location.

