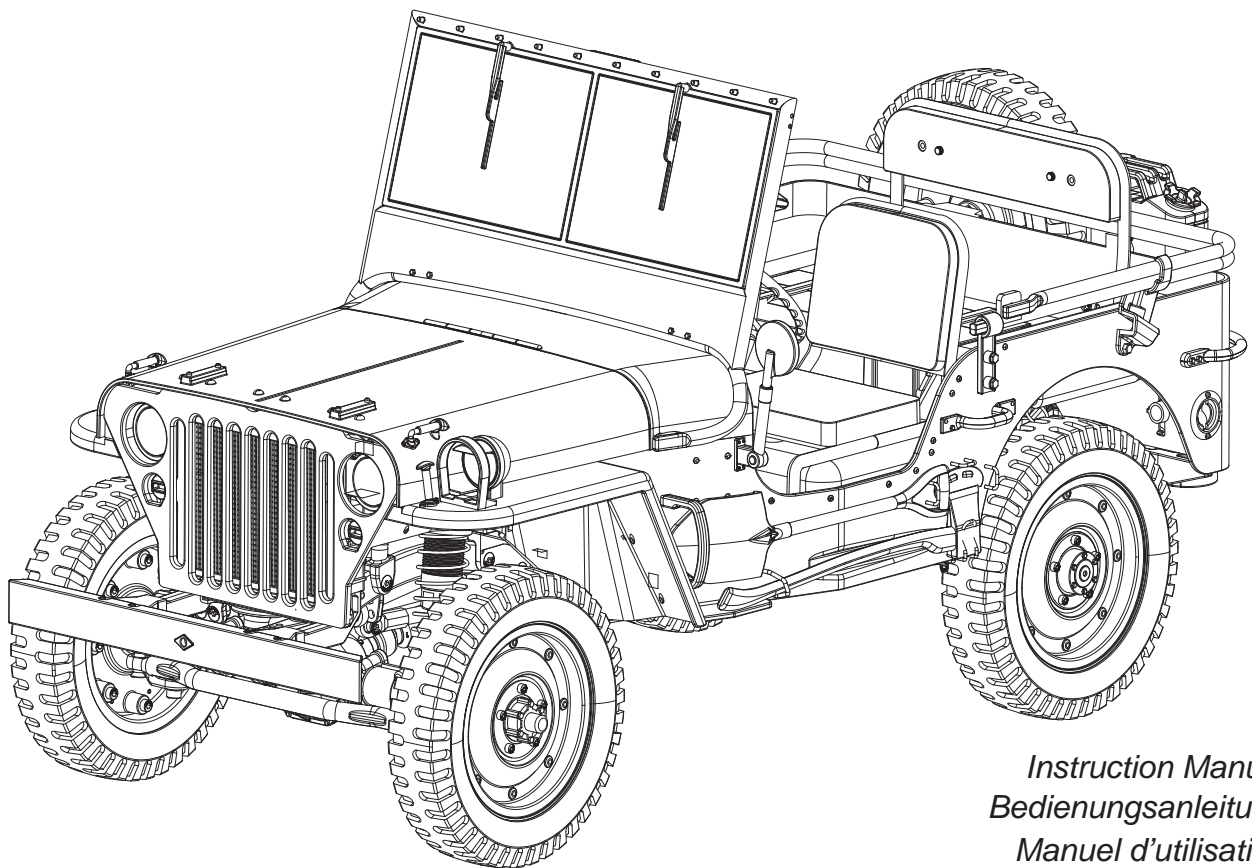


RO HOBBY

1:12 1941 SCALER MB



Instruction Manual
Bedienungsanleitung
Manuel d'utilisation
操作手册

SPECIFICATION

Length: 278mm
Width: 136mm

Height: 140mm
Wheel base: 169mm

Ground clearance: 24mm
Approach angle: 41°

Departure angle: 40°

TABLE OF CONTENTS

Safety precautions	03
Radio system	04
Throttle stick position	12
Vehicle setup	13
Set up wiper, retract the windshield frame	13
Unfold the canvas roof bracket	14
Operating the vehicle	14
Wheels	56
Transmission	56
Transfer case	57
Front axle assembly	57
Rear axle assembly	58
Driver seat	59
Front passenger seat	59
Back seat	60
Windshield	60
Steering gear	61
Steering wheel steering gear	61
Shift steering gear	61
Chassis exploded-view 1	62
Chassis exploded-view 2	63
Car body assembly 1	64
Car body assembly 2	65
Finished product	66
General list of accessories (I)	67
General list of accessories (II)	68

SAFETY PRECAUTIONS

introduction

This manual is written to assist you in properly operating, maintaining and repairing the vehicle. As many of the components used are unique to this truck, please retain this manual as a future reference.

Composed of precision-made components, the ROCHOBBY 1/12 1941 SCALER MB is not a toy, thus it is not suited for children under 14 years of age. Minors should be accompanied by an adult when operating. Failure to operate or maintain this vehicle in a safe manner can result in bodily harm.

It is the owner responsibility to operate this product in a safe manner. ROCHOBBY and its distributors are not responsible in any way for any and all bodily harm and/ or property damage that may result from the use of this product.

Replace damaged components with original factory-parts. Pay special attention to the polarity of all vehicle wiring.

safety, precautions and warnings

- Replace damaged components with original factory-parts. Pay special attention to the polarity of all vehicle wiring.
- Use common sense when selecting the environment to operate your vehicle. Do not operate near power cables, cellular/radio towers, deep water or unstable terrain. The operator is solely responsible for their actions.
- The product is composed of precision electrical components. It is critical to keep the product away from moisture and other contaminants.
- Always check the radio range of the vehicle prior to operation in order to prevent radio loss or interference.
- Operate this product within your ability. If the vehicle is dangerous to retrieve, it never worth the risk.
- Always turn on the transmitter before connecting the battery on the model. When turning off the model, always disconnect the battery first, and then turn off the model, always disconnect the battery first, and then turn off the transmitter. If this order is reversed, the model may become uncontrollable and cause serious damage.
- Never allow transmitter batteries to run low as it may cause loss of vehicle control.
- Plastics on the vehicle are susceptible to damage or deformation due to extreme heat and cold climate. Do not store the model near any source of heat such as oven or heater. Store the model indoors, in a climate-controlled, room temperature environment.

CE compliance information for the european union

The associated regulatory agencies of the following countries recognize the noted certifications for this product as authorized for sale and use.

UK	DE	DK	BG	SE	GZ	ES	NL	SK	HU	RO	FR	PT
FI	EE	LV	LT	PL	AT	CY	SI	GR	MT	IT	IE	LU

Declaration of Conformity

Products: 2.4GHz Controller

Equipment Class: 2

The objects of declaration described above are in conformity with the requirements of the specifications listed below.

Item Name : 2.4GHz Controller

The RED Directive 2014/53/EU

EN 60950-1:2006 + A11:2009 + A1:2010 + A12:2011 + A2:2013

EN 300 328 V2.1.1:2016

EN 301 489-1 V2.1.1:2017

EN 301 489-17 V3.1.1:2017

FCC ID 2AUBX-HT-TX02

Statement - This device complies with Part 15 of the FCC Rules.

Operation is subject to the following two conditions:

1. this device may not cause harmful interference, and.
2. this device may not cause harmful interference, and including interference that may cause undesired operation.


Changes or modifications not expressly approved by the party responsible for compliance could void the user's authority to operate the equipment.

RF Exposure Warning:

This equipment complies with FCC radiation exposure limits set forth for an uncontrolled environment. And should be operated with minimum distance of 20 cm between the antenna & your body.

Please read this manual carefully prior to using. We are not responsible for any intentional damage or improper use. If you require any additional information or have any questions about the product or its use, please contact us via (www.rochobby.com).




This product is not a toy! (14+) Recommended for ages 14 and up. Adult supervision required for ages under 14 years old. Contains small parts, keep out of reach of children 3 years of age and younger.



RADIO SYSTEM

safety symbols

Pay close attention to the following symbols and their meanings. Failure to follow these warnings could cause damage, injury or death.

 Attention	Not following these instructions may lead to minor injuries.
 Warning	Not following these instructions may lead to major injuries.
 Danger	Not following these instructions may lead to serious injuries or death.

safety guide



Prohibited



Mandatory



- Do not use the product at night or in bad weather like rain or thunderstorm. It can cause erratic operation or loss of control.
- Do not use the product when visibility is limited.
- Do not use the product on rain or snow days. Any exposure to moisture (water or snow) may cause erratic operation or loss of control.
- Interference may cause loss of control. To ensure the safety of you and others, do not operate in the following places:
 - 1、 Near any site where other radio control activity may occur
 - 2、 Near power lines or communication broadcasting antennas
 - 3、 Near people or roads
 - 4、 On any body of water when passenger boats are present
- Do not use this product when you are tired, uncomfortable, or under the influence of alcohol or drugs. Doing so may cause serious injury to yourself or others.
- The 2.4GHz radio band is limited to line of sight. Always keep your model in sight as a large object can block the RF signal and lead to loss of control.
- Do not touch any part of the model that may generate heat during operation, or immediately after use. The engine, motor or speed control, may be very hot and can cause serious burns.



- Misuse of this product may lead to serious injury or death. To ensure the safety of you and your equipment, read this manual and follow the instructions.
- Make sure the product is properly installed in your model. Failure to do so may result in serious injury.
- Make sure to disconnect the receiver battery before turning off the transmitter. Failure to do so may lead to unintended operation and cause an accident.
- Ensure that all motors operate in the correct direction. If not, adjust the direction first.
- Make sure the model stays within the systems maximum range to prevent loss of control.

introduction

“It did everything, went anywhere, was as faithful as a dog, as strong as a mule, and as agile as a goat. It consistently carried twice what it was designed for, and still kept going.”

— Ernie Pyle, Pulitzer Prize-winning War Correspondent

When the SCALER MB was first put into service during the 1940s it wasn't the only light off-road vehicle on the battlefield. It wasn't the most ground-breaking design and didn't feature state-of-the-art technology. However it would start a revolution - designed to tackle the most extreme type of terrain, it became a reliable and versatile workhorse honored by soldiers around the World for year to come.

To recreate and capture that original love for the SCALER MB, ROCHOBBY has gone through a repeated testing and upgrading process to present you with this one of its kind 1:12 model.

No less than its larger sibling: 1:6 1941 SCALER MB we created one year ago — it features a realistic moulded hard body finished with a delicate pad printing technique including real rear-view mirrors, a detailed dashboard, rubber tires and removable accessories such as a fuel tank, axe, shovel, hood, windshield and a top bow assembly.

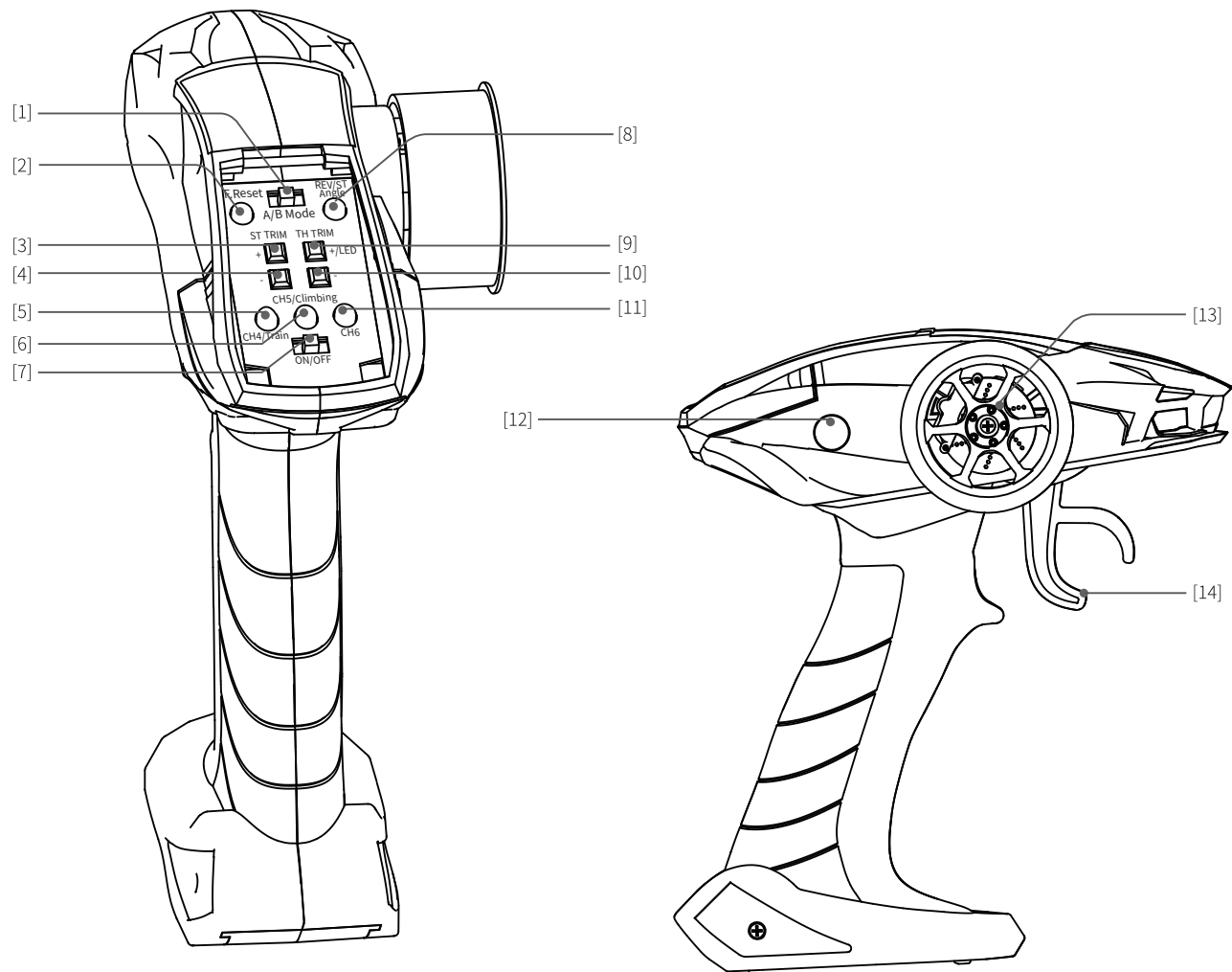
However the 1:12 1941 SCALER MB features even more. More Details — such as lifelike canvas seats, a fold-down rear seat with openable bins and tires with stunning scale tread patterns. More Realistic — the SCALER MB chassis features a solid ladder frame rail that mirrors its full-size counterpart, multi-leaf springs with dampers as well as offset differentials, making this vehicle exquisitely equal to the legendary historical SCALER. More Versatile — the SCALER MB features a fantastic LED system (four turn lights, two headlights and a blackout lamp) that helps explore the dark of night. Besides the scale finishing and detail its 2.4GHz ANT transmitter provides modelers from rookies to experts with the opportunity to enjoy exciting trails with a Two-speed transmission option (Crawling Mode and Beginner Mode), as well as alerting the user with a Low-Battery Warning, Forgotten Alarm, Motor Overload Protection, and more!

Sometimes, Smaller really is Better. The Legend lives on – 1941 SCALER MB!

Features:

- Authentic full-time 4WD includes a radio transmitter & receiver and a battery.
- Delicate army green body finished with fine pad-printing design.
- Realistic scale detailing including canvas seats, rear-view mirrors, dashboards, leaf springs & dampers, tires and metal ladder frame rails.
- Additional movable scale features and accessories like rear seat, axe, shovel, two bins, windshield, rotating steering wheel and fuel tank.
- The perfect match for 1/12 figures.
- Up to seven LED lights are included for nighttime driving.
- Optional parts (canvas top, machine gun, and trailer) provide further scale finishing.

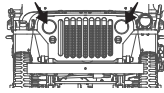
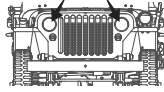
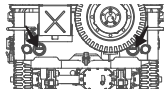
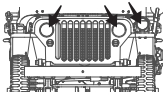
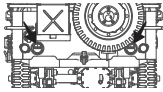
transmitter intruction

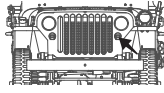
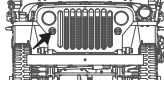
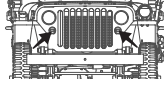


[1]	A/B Mode switch key	[8]	Reverse key mode a / steering angle limit mode B
[2]	Re-set button (F.Reset) Mode A	[9]	Throttle trim + (TH TRIM +) mode A / light control switch 1 mode B
[3]	Steering Trim+ (ST TRIM+) Mode A	[10]	Throttle trim - (TH TRIM -) mode A / light control switch 2 mode B
[4]	Steering Trim- (ST TRIM-) Mode A	[11]	Channel 6 (reserved)
[5]	Training mode B	[12]	Shift Key
[6]	Climbing Mode B	[13]	Steering wheel
[7]	Power Switch	[14]	Throttle trigger

A/B mode function toggle switch		
F.Reset	In the use of the disorder settings, not back to the normal state, you can use Factory.Reset function	Make sure that the mode function toggle switch is in mode A, hold the steering wheel left or right, and click the F. Reset button at the same time. After two clicks, it means that the factory settings have been completed.
REV	After replacing the steering gear, the steering gear is reversed	Make sure that the mode function toggle switch is in mode A, twist the left or right steering wheel, and click Rev button at the same time. After ringing, it means that the reverse setting of steering gear has been completed.
	After replacing the motor, there is a reverse	Make sure that the mode function toggle switch is in mode A, pull or push the throttle, and click Rev button at the same time. After ringing, it means that the motor reverse setting has been completed.
	Adjust 30 / 50 / 100% steering radian	Make sure that the mode function toggle switch is in mode B, and click the ST Angle key. After a click, it means that the 30% steering radian has been set. Click the ST Angle button again, and you will hear two beeps, indicating that the setting of 50% steering radian has been completed. Click the ST Angle button again, and you will hear three beeps, indicating that the 100% steering radian has been set. Then click to cycle to a click to indicate that the 30% steering radian has been set.
ST TRIM	When the steering center is not centered	Make sure that the mode function toggle switch is in mode A, press ST TRIM+ or - button to fine tune the steering center. Every click of the button will ring. When the maximum and minimum values are reached, a long sound will appear. When the median value is reached, it will ring twice.
TH TRIM	When the throttle is not centered	Make sure that the mode function toggle switch is in mode A, press TH TRIM + / - button to fine tune the throttle center. Every click of the button will ring. When reaching the maximum and minimum value, the button will ring, when reaching the median value, the button ring twice.
LED	Light setting	Make sure that the mode function toggle switch is in mode B, click the LED button, and the headlamp will be on after a click. Then click the LED button, and the headlight will be highlighted after two clicks. Continue to click the LED button, and the air defense light will be on after three rings.
Train	Adjust the training mode for beginners	Make sure that the mode function toggle switch is in mode B, click the Train button, and after a click, enter the beginner training mode. At present, the throttle speed is limited to 50%. Press it again, and it will return to normal after hearing two rings.
Climbing	Adjust climbing mode	Make sure that the mode function toggle switch is in mode B, click the Climbing button, and enter the climbing mode after a click. When the accelerator is released, the braking function starts. It's not easy to reverse when going up a steep slope. Press it again, and it will return to the normal state after hearing two rings.

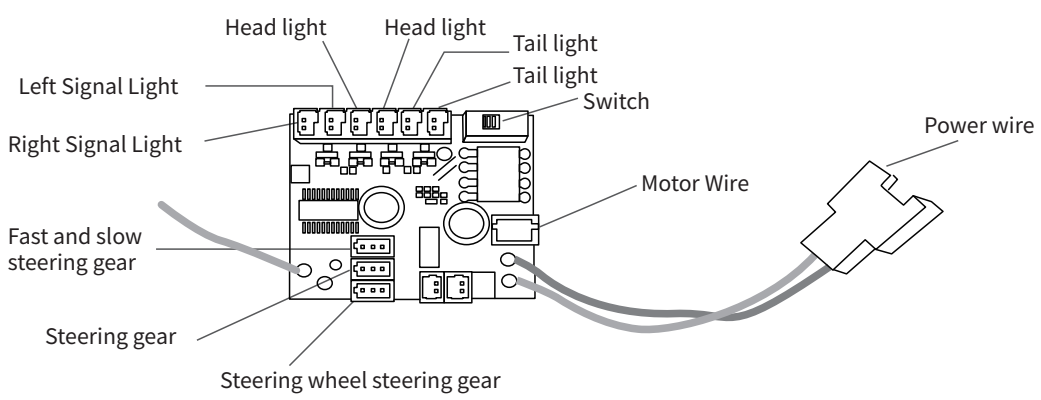
Emitter: forget reminder	If the transmitter does not receive any command, it will give an alarm after 10 minutes and enter sleep mode after 2 minutes
Transmitter: frequency alert	When the transmitter does not match the receiver, the indicator light of the transmitter keeps flashing
Transmitter: no frequency matching + low power reminder 4.5V	The indicator light of the transmitter flashes slowly and makes a sound
Transmitter: low power reminder 4.5V	The indicator light of the transmitter flashes slowly
Car: frequency alert	The headlights keep flashing
Car: low power alarm 6.3-6.4v	All lights keep flashing, steering and throttle are not controlled
Car: reminders to prevent forgetting	If the vehicle does not receive any signal, it will flash back and forth after 10 minutes and enter sleep mode after 2 minutes

				Times for Pressing							
Button	Light Position	Function	Power on is off by default	I	II	III	IV	V	Control Mod	Remarks	
LED1#	Headlight	Always on		•	OFF	OFF	OFF	OFF			
		Always Off		OFF	•	•	OFF	OFF			
	Taillights	Always on		•	•	•	OFF	OFF		 	
		Tail lamp highlight constant		○	○	○	OFF	OFF	Throttle linkage control	When the throttle is released, the light will be on for 0.5 seconds. If there is refueling action within 0.5 seconds, it will not be highlighted. The tail light is highlighted during braking operation to simulate the effect of brake light	
		Reversing light		○	○	○	OFF	OFF	Throttle linkage control	The light is on when reversing	
	Fog lamp	Normally on		OFF	OFF	•	•	OFF			

LED2#	Turn Signal			I	II	OFF				
		Left turn signal		○		OFF			Direction linkage control	
		Left turn signal		○		OFF			Direction linkage control	
	Emergency Flashers			•	OFF					

receiver overview

Note: To ensure the best signal quality make sure that the antenna is mounted perpendicular to the model body in an upright position.



getting started

Before operation, install the battery and connect the system as instructed below.

★ Transmitter Battery Installation

	Danger	Only use specified battery (X4 AA batteries).
	Danger	Do not open, disassemble, or attempt to repair the battery.
	Danger	Do not crush/puncture the battery, or short the external contacts.
	Danger	Do not expose to excessive heat or liquids.
	Danger	Do not drop the battery or expose to strong shocks or vibrations.
	Danger	Always store the battery in a cool, dry place.
	Danger	Do not use the battery if damaged.

Battery Type: AAA

Battery Installation:

1. Open the battery compartment cover.
2. Insert 4 fully-charged AAA batteries into the compartment. Make sure that the battery makes good contact with the battery compartment's contacts.
3. Replace battery compartment cover.

Low battery alarm: When the battery is lower than 4.2V, the LED on the panel will flash slowly.

instructions

After setting up, follow the instructions below to operate the system.

1. Automatic code matching (the transmitter and receiver have been successfully coded before leaving the factory.)

If you need to replace another transmitter or receiver, please follow the following steps to code:

1. When the transmitter power is on and the code matching mode is on, the light keeps flashing;
2. The power supply of the receiving board is turned on, and the front lights keep flashing to enter the code matching mode;
3. When the code matching is successful, all the transmitter lights are on and all the lights on the car are off;

Note: when code matching, please operate the transmitter to enter the code matching state first, and then operate the receiver to enter the code matching state.

2. POWER OFF

Follow the steps below to turn off the system:

1. Disconnect the receiver power.
2. Toggle the transmitter's power switch to the off position.



Danger

Make sure to disconnect the receiver power before turning off the transmitter. Failure to do so may lead to damage or serious injury.

instructions

1. Transmitter specification

Product Model	HT-TX02
Adaptive model	Car
RF	2.4GHz
Transmitting power	<20dBm
Wireless protocol	ANT

2. Transmitter specification

Distance	>100m(ground)
Channel Resolution	256 Grade
Battery	6V DC 1.5AAA*4
Charging Interface	NO
Life time	According to battery type
Low Voltage Warning	<4.45V
Antenna Type	Built-in single antenna
Data interface	NO
Temperature Range	-10°C ~ +60°C
Humidity Range	20-95%
Online Update	NO
Color	Black
Size	152mm *75mm *167mm
Weight	160g
Certification	CE, FCC ID: 2AUBX-HT-TX02

THROTTLE STICK POSITION

throttle stick position

Neutral point



Top point of forward direction



Top point of backward direction

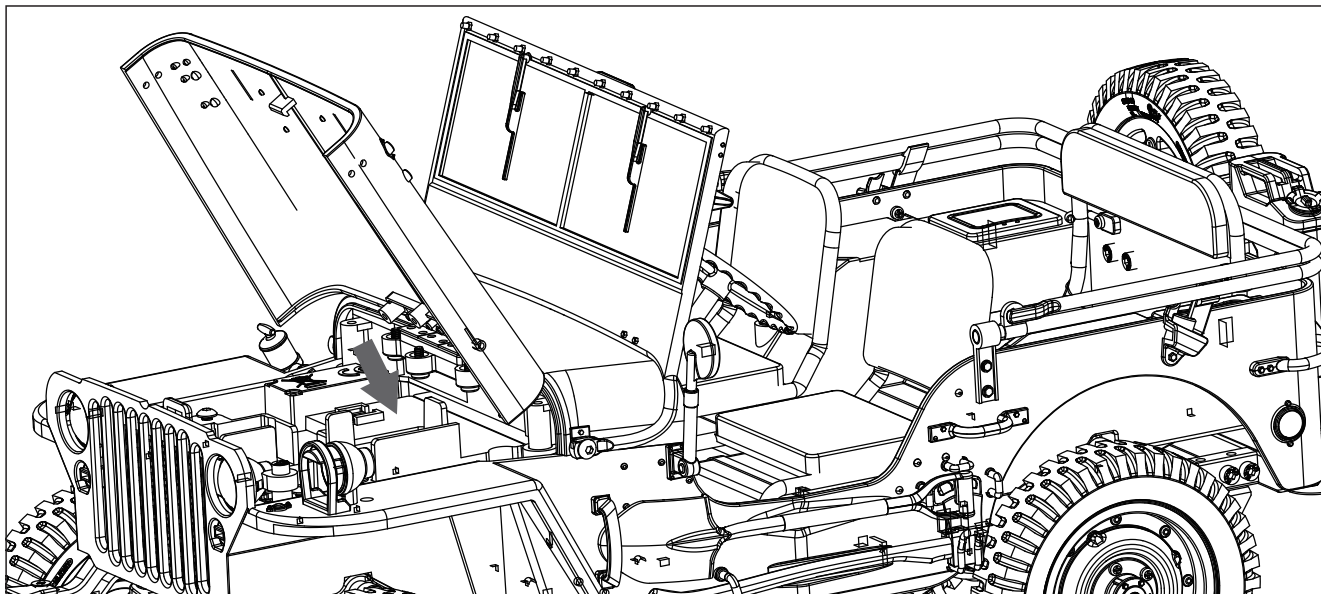


VEHICLE SETUP

connecting the battery

Step 1: open the hood.

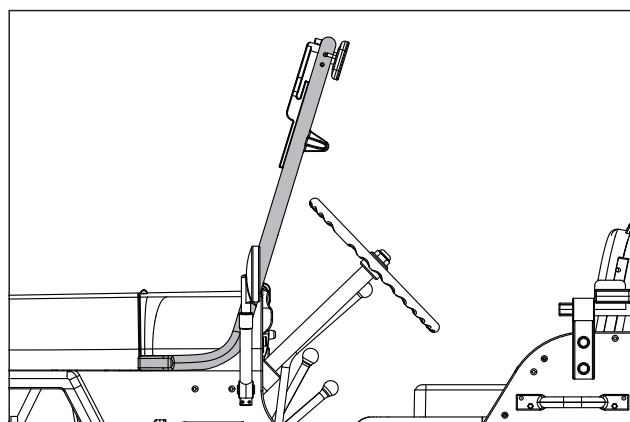
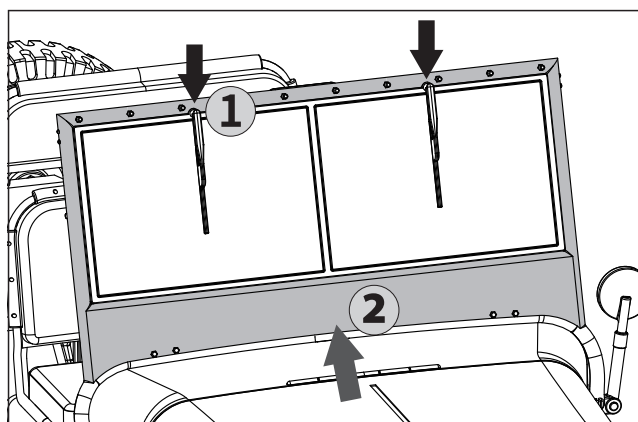
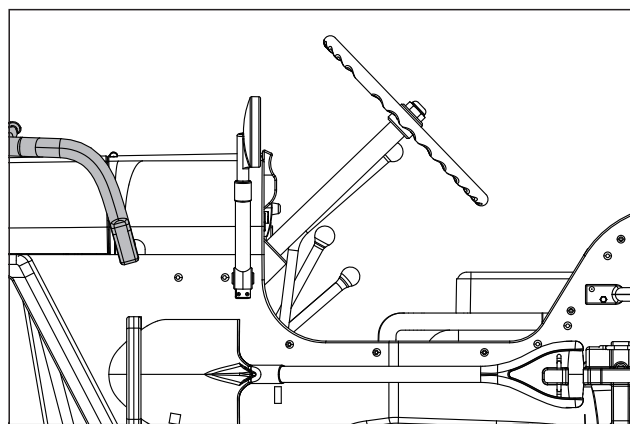
Step 2: place the battery in the battery box and connect the battery plug.



SET UP WIPER, RETRACT THE WINDSHIELD FRAME

Step 1: press the wiper into one hole.

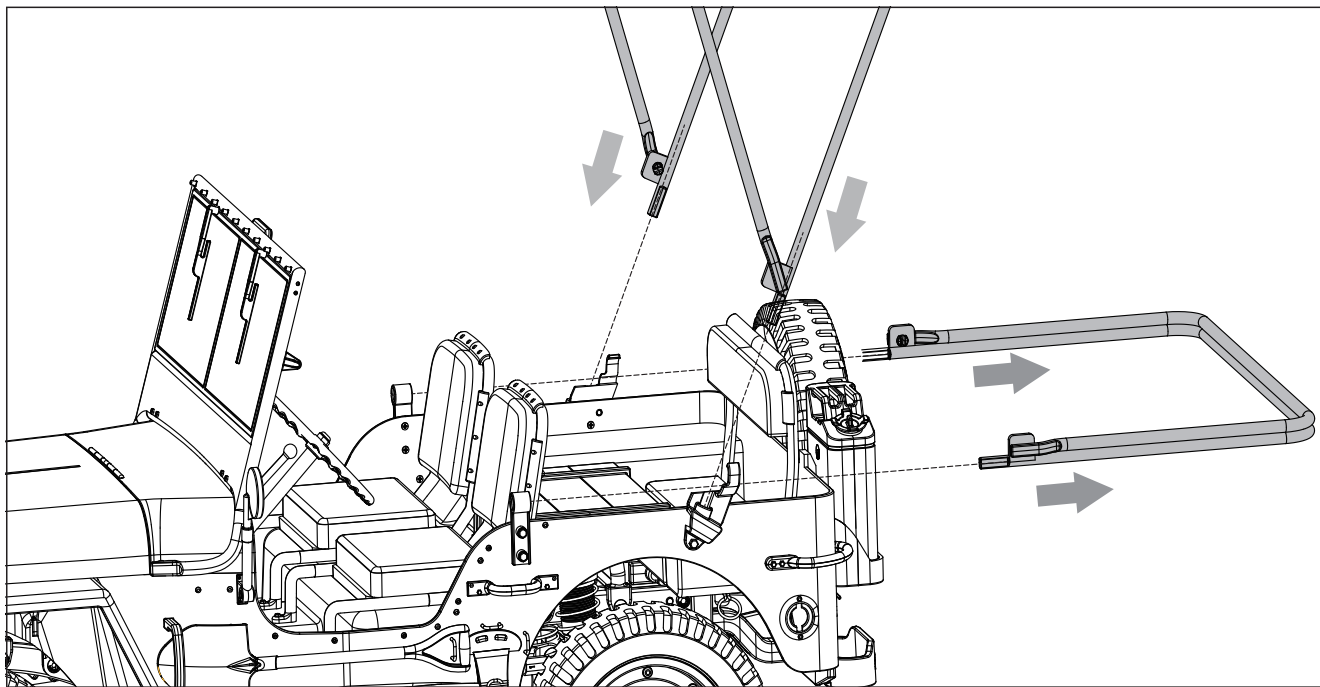
Step 2: gently press and hold the center of the windshield, bend and buckle the assembly to 2 holes on the hood.



UNFOLD THE CANVAS ROOF BRACKET

Step 1: Pull out the canvas bracket.

Step 2: insert the canvas canopy bracket into the corresponding hole.

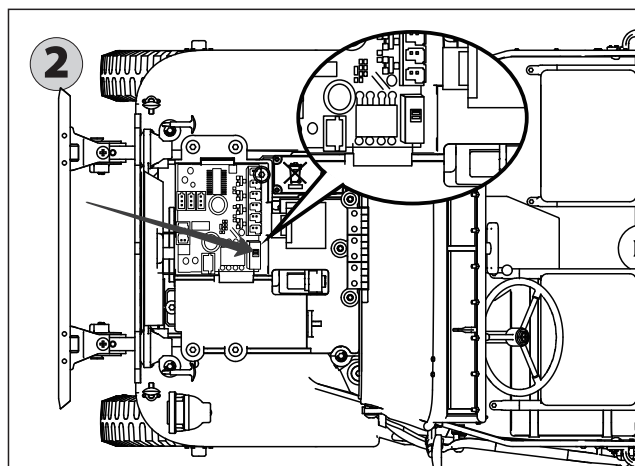
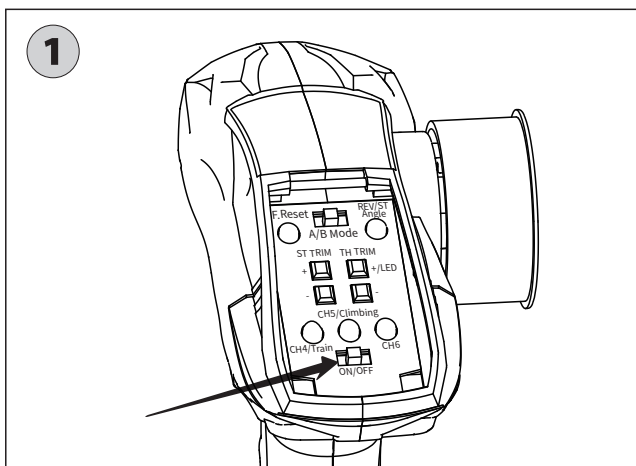


OPERATING THE VEHICLE

Step 1: turn on the transmitter, the headlamp of the transmitter will flash and enter the frequency matching mode.

Step 2: turn on the receiver switch, the headlight will flash and enter the frequency matching mode.

Step 3: when the transmitter and receiver are successful in frequency up, the front lights of the transmitter will be on for a long time, and the front lights of the vehicle will be off.



Declaration of Conformity (DoC)

We,
Dongguan Solid Model Technology Co.,Ltd
Add:Room 701, Block B, Luo Tian Community
Xiangshan Road 142, Songgang Street,
Shenzhen Baoan District, Shenzhen City of China 518101.

Tel: +86 0755-61811796
Web:www.rochobby.com

declare under our responsibility that the product:

Type of Equipment: 1/12 1941 SCALER MB Driving System & 2.4GHz Control System
Brand Name: ROCHOBBY

Equipment Model: 11201(11201RTR)



to which this declaration relates is in conformity with the essential requirements and other relevant requirements of the RED Directive 2014/53/EU, EMC Directive 2014/53/EU, FCC Identifier 2AUBX-HT-TX-02. The product is in conformity with following standards and/or other normative documents:

ETSI EN 301 489-1 V2.2.3(2019-11)
ETSI EN 301 489-17 V3.2.4(2020-09)
EN 55032:2015+A11:2020
EN 55035:2017+A11:2020
EN61000-3-2:2014
EN61000-3-3:2013
EN : 62479:2010
ETSI EN 300 328 V2.2.2 (2019-07)

DISTRIBUTOR

North America:
Horizon Hobby LLC
2904 Research Road
Champaign, IL 61822, USA
Tel.: 217-403-3584

Sweden:
Minicars Hobby Distribution AB
Annelundsgatan 17C
749 40 Enköping, Sweden
Tel.: +46-171-14 30 02

The United Kingdom:
CML Distribution Ltd
Saxon House, Saxon Business Park, Hanbury Road
Bromsgrove, Worcestershire
B60 4AD, England
Tel.: +44 (0)1527 575349

Australia:
Model Engines Pty Ltd
Unit 1/32 Bluett Drive
Smeaton Grange
NSW 2567 Australia
Tel.: +61(0)411128284

INHALT

Sicherheitshinweise	17
Fernsteuerungs-system	18
Position des gashebels	26
Fahrzeug- einstellung	27
Montage von Scheibenwischer Windschutzscheibe	27
Dach einklappen	28
Bedienung des fahrzeugs	28
Räder	56
Übersetzung	56
Übertragung	57
Vordere Achse	57
Hintere Achse	58
Fahrersitz	59
Beifahrersitz	59
Rücksitze	60
Windschutzscheibe	60
Lenkgetriebe	61
Lenkradgestänge Lenkgetriebe	61
Lenkgetriebe schalten	61
Chassis Explosionszeichnung 1	62
Chassis Explosionszeichnung 2	63
Body Montage 1	64
Body Montage 2	65
Montierte Produkte	66
Ersatz- und Zubehörteile (I)	69
Ersatz- und Zubehörteile (II)	70

SICHERHEITSHINWEISE

einleitung

Dieses Handbuch soll Sie bei der sachgerechten Bedienung, Wartung und Reparatur des Fahrzeugs unterstützen. Da viele der verwendeten Komponenten einzigartig für diesen Truck sind, bewahren Sie bitte diese Anleitung als zukünftige Referenz auf.

Der ROCHOBBY 1/12 1941 SCALER MB ist kein Spielzeug und daher nicht für Kinder unter 14 Jahren geeignet, da er aus Präzisionsbauteilen besteht. Minderjährige sollten beim Betrieb von einem Erwachsenen begleitet werden. Wenn Sie dieses Fahrzeug nicht in einer sicheren Art und Weise betreiben, kann dies zu körperlichen Schäden führen.

Es liegt in der Verantwortung des Besitzers, dieses Produkt auf sichere Weise zu betreiben. ROCHOBBY und seine Vertriebspartner sind in keiner Weise verantwortlich für Personen- und/oder Sachschäden, die durch den Gebrauch dieses Produkts entstehen können.

Ersetzen Sie beschädigte Komponenten durch Original-Werkteile. Achten Sie besonders auf die Polarität der gesamten Fahrzeugverkabelung.

vorsichtsmassnahmen und warnhinweise

- Ersetzen Sie beschädigte Bauteile durch Original-Werkteile. Achten Sie besonders auf die Polarität der gesamten Fahrzeugverkabelung.
- Nutzen Sie Ihren gesunden Menschenverstand, wenn Sie die Umgebung für den Betrieb Ihres Fahrzeugs auswählen. Fahren Sie nicht in der Nähe von Stromkabeln, Funkmasten, tiefem Wasser oder instabilem Terrain. Der Bediener trägt die alleinige Verantwortung für seine Handlungen.
- Das Produkt besteht aus elektrischen Präzisionsbauteilen. Es ist wichtig, das Produkt von Feuchtigkeit und anderen Verunreinigungen fernzuhalten
- Prüfen Sie vor dem Betrieb immer die Funkreichweite des Fahrzeugs, um Funkverluste oder Störungen zu vermeiden.
- Betreiben Sie dieses Produkt im Rahmen Ihrer Möglichkeiten. Wenn das Fahrzeug gefährlich zu bergen ist, lohnt sich das Risiko nicht.
- Schalten Sie immer den Sender ein, bevor Sie den Akku am Modell anschließen. Wenn Sie das Modell ausschalten, trennen Sie immer zuerst den Akku ab und schalten Sie dann das Modell aus, trennen Sie immer zuerst den Akku ab und schalten Sie dann den Sender aus. Wenn diese Reihenfolge umgedreht wird, kann das Modell unkontrollierbar werden und schwere Schäden verursachen.
- Lassen Sie niemals zu, dass die Senderbatterien leer werden, da dies zum Verlust der Fahrzeugkontrolle führen kann.
- Kunststoffe am Fahrzeug können durch extreme Hitze und Kälte beschädigt oder verformt werden. Lagern Sie das Modell nicht in der Nähe von Wärmequellen wie Öfen oder Heizungen. Lagern Sie das Modell in einem klimatisierten Raum bei Raumtemperatur.

CE-konformitätsinformationen für die europäische union

Die zugehörigen Aufsichtsbehörden der folgenden Länder erkennen die angegebenen Zertifizierungen für dieses Produkt als für den Verkauf und die Verwendung zugelassen an.

UK	DE	DK	BG	SE	GZ	ES	NL	SK	HU	RO	FR	PT
FI	EE	LV	LT	PL	AT	CY	SI	GR	MT	IT	IE	LU

Konformitätserklärung

Produkt: 2.4GHz-Controller

Geräteklasse: 2

Die oben beschriebenen Erklärungsgegenstände sind konform mit den Anforderungen der unten aufgeführten Spezifikationen.

Artikelbezeichnung : 2.4GHz Controller

Die RED-Richtlinie 2014/53/EU

EN 60950-1:2006 + A11:2009 + A1:2010 + A12:2011 + A2:2013

EN 300 328 V2.1.1:2016

EN 301 489-1 V2.1.1:2017

EN 301 489-17 V3.1.1:2017

FCC ID 2AUBX-HT-TX02

Erklärung - Dieses Gerät entspricht Teil 15 der FCC-Bestimmungen.

Der Betrieb unterliegt den folgenden zwei Bedingungen:

- 1. dieses Gerät darf keine schädlichen Interferenzen verursachen, und.
- 2. dieses Gerät darf keine schädlichen Störungen verursachen, einschließlich Störungen, die einen unerwünschten Betrieb verursachen können.


Änderungen oder Modifikationen, die nicht ausdrücklich von der für die Konformität verantwortlichen Partei genehmigt wurden, können die Berechtigung des Benutzers zum Betrieb des Geräts aufheben.

Warnung vor HF-Exposition:

Dieses Gerät entspricht den FCC-Grenzwerten für die Strahlenbelastung, die für eine unkontrollierte Umgebung festgelegt wurden. Es sollte mit einem Mindestabstand von 20 cm zwischen der Antenne und Ihrem Körper betrieben werden.

Wir haften nicht für vorsätzliche Beschädigung oder unsachgemäße Verwendung. Wenn Sie zusätzliche Informationen benötigen oder Fragen zum Produkt oder dessen Verwendung haben, kontaktieren Sie uns bitte über www.rochobby.com




Dieses Produkt ist kein Spielzeug! Empfohlen für Personen ab 14 Jahren. Unter 14 Jahren ist die Aufsicht eines Erwachsenen erforderlich. Enthält Kleinteile, außerhalb der Reichweite von Kindern unter 3 Jahren aufbewahren.



FERNSTEUERUNGS-SYSTEM

sicherheitssymbole

Achten Sie genau auf die folgenden Symbole und ihre Bedeutungen. Die Nichtbeachtung dieser Warnhinweise kann zu Schäden, Verletzungen oder Tod führen.

 Attention	Die Nichtbeachtung dieser Hinweise kann zu leichten Verletzungen führen.
 Warning	Die Nichtbeachtung dieser Hinweise kann zu leichten Verletzungen führen.
 Danger	Die Nichtbeachtung dieser Hinweise kann zu schweren Verletzungen oder zum Tod führen.

sicherheitshinweise



Verboten



Obligatorisch



- Verwenden Sie das Produkt nicht in der Nacht oder bei schlechtem Wetter wie Regen oder Gewitter. Es kann zu unregelmäßigem Betrieb oder Kontrollverlust führen.
- Verwenden Sie das Produkt nicht, wenn die Sicht eingeschränkt ist.
- Benutzen Sie das Produkt nicht bei Regen oder Schnee. Jeglicher Kontakt mit Feuchtigkeit (Wasser oder Schnee) kann zu fehlerhaftem Betrieb oder zum Verlust der Kontrolle führen.
- Interferenzen können zum Verlust der Kontrolle führen. Um Ihre Sicherheit und die anderer Personen zu gewährleisten, dürfen Sie nicht an den folgenden Orten betreiben:
 1. In der Nähe eines Ortes, an dem andere Funksteuerungsaktivitäten auftreten können.
 2. In der Nähe von Hochspannungsleitungen oder Kommunikationsfunkantennen
 3. In der Nähe von Menschen oder Straßen
 4. Auf einem Gewässer, auf dem sich Passagierboote befinden
- Verwenden Sie dieses Produkt nicht, wenn Sie müde sind, sich unwohl fühlen oder unter dem Einfluss von Alkohol oder Drogen stehen. Dies kann zu schweren Verletzungen bei Ihnen oder anderen führen.
- Das 2.4-GHz-Funkband ist auf die Sichtlinie beschränkt. Halten Sie Ihr Modell immer in Sichtweite, da ein großes Objekt HF-Signal blockieren und zum Verlust der Kontrolle führen kann.
- Berühren Sie keine Teile des Modells, die während des Betriebs oder unmittelbar nach dem Betrieb Wärme erzeugen können. Das Triebwerk, der Motor oder die Drehzahlregelung können sehr heiß sein und schwere Verbrennungen verursachen.



- Eine falsche Verwendung dieses Produkts kann zu schweren Verletzungen oder zum Tod führen. Um Ihre Sicherheit und die Ihres Geräts zu gewährleisten, lesen Sie dieses Handbuch und befolgen Sie die Anweisungen.
- Stellen Sie sicher, dass das Produkt ordnungsgemäß installiert ist. Bei Nichtbeachtung kann es zu schweren Verletzungen kommen.
- Stellen Sie sicher, dass der Empfängerakku abgeklemmt ist, bevor Sie den Sender ausschalten. Andernfalls kann es zu unbeabsichtigtem Betrieb kommen und ein Unfall verursacht werden.
- Achten Sie darauf, dass alle Motoren in der richtigen Richtung laufen. Falls nicht, stellen Sie die Richtung zuerst ein.
- Stellen Sie sicher, dass das Modell innerhalb des maximalen Bereichs des Systems bleibt, um einen Kontrollverlust zu vermeiden.

introduction

“It did everything, went anywhere, was as faithful as a dog, as strong as a mule, and as agile as a goat. It consistently carried twice what it was designed for, and still kept going.”

— Ernie Pyle, Pulitzer Prize-winning War Correspondent

Als der SCALER MB in den 1940er Jahren zum ersten Mal in Dienst gestellt wurde, war er nicht der einzige leichte Geländewagen auf dem Schlachtfeld. Er war nicht das bahnbrechendste Design und verfügte nicht über die modernste Technologie. Dennoch sollte er eine Revolution auslösen - entwickelt, um die extremsten Geländetypen zu bewältigen, wurde er zu einem zuverlässigen und vielseitigen Arbeitstier, das von Soldaten auf der ganzen Welt über Jahre hinweg geschätzt wurde.

Um diese ursprüngliche Liebe zum SCALER MB wieder zu erwecken und einzufangen, hat ROCHOBBY einen wiederholten Test- und Aufrüstungsprozess durchlaufen, um Ihnen dieses einzigartige Modell zu präsentieren - als 1:12 Modell.

Der SCALER MB verfügt über eine realistisch geformte Hartkarosserie, die mit einer filigranen Tampondrucktechnik veredelt wurde, einschließlich echter Rückspiegel, einem detaillierten Armaturenbrett, Gummireifen und abnehmbarem Zubehör wie einem Kraftstofftank, einer Axt, einer Schaufel, einer Motorhaube, einer Windschutzscheibe und einer oberen Buggruppe.

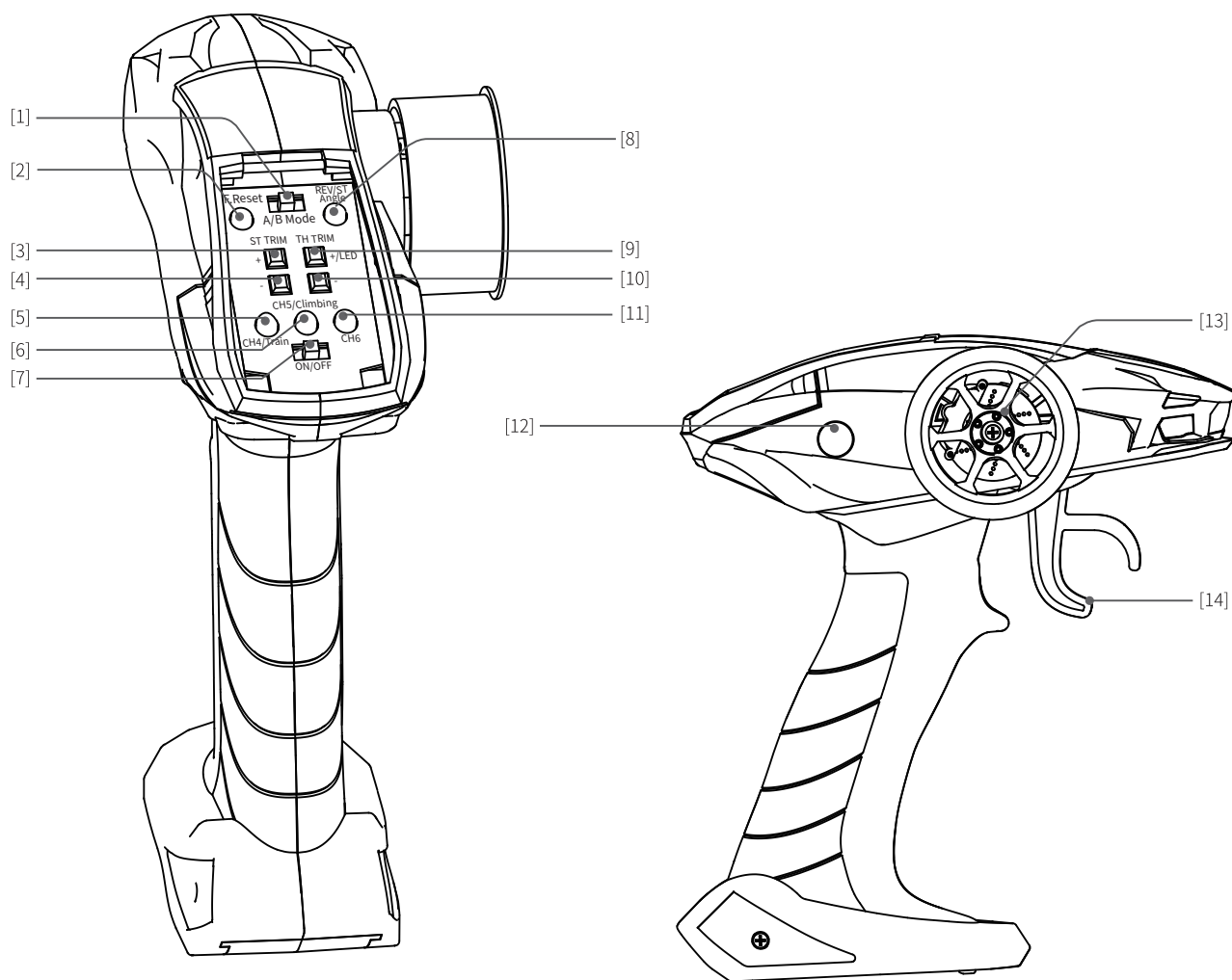
Der 1:12 SCALER MB von 1941 bietet jedoch noch mehr. Mehr Details - wie z. B. naturgetreue Sitze aus Segeltuch, eine umklappbare Rückbank mit aufklappbaren Ablagefächern und Reifen mit verblüffend maßstabsgetreuen Profilen. Realistischer - das Fahrgestell des SCALER MB verfügt über eine solide Leiterrahmenschiene, die das Pendant in Originalgröße widerspiegelt, mehrblättrige Federn mit Dämpfern sowie Offset-Differentiale, wodurch dieses Fahrzeug dem legendären historischen SCALER in nichts nachsteht. Vielseitiger - der SCALER MB verfügt über ein fantastisches LED-System (vier Blinker, zwei Scheinwerfer und eine Verdunkelungslampe), das bei der Erkundung der nächtlichen Dunkelheit hilft. Neben der maßstabsgetreuen Verarbeitung und Detailtreue bietet sein 2.4GHz ANT-Sender Modellbauern vom Anfänger bis zum Experten die Möglichkeit, aufregende Strecken mit einer Zwei-Gang-Getriebeoption (Kriechmodus und Beginner-Modus) zu genießen, sowie mit einer Warnung bei niedrigem Batteriestand, einem "Vergessensalarm", einem Motorüberlastungsschutz und vielem mehr!

Manchmal ist kleiner wirklich besser. Die Legende lebt weiter - 1941 SCALER MB!

Merkmale:

- Authentischer 4WD, inklusive Funksender und -empfänger sowie Akku.
- armeegrüne Karosserie mit feinem Tampondruck-Design.
- Realistische, maßstabsgetreue Detaillierung mit Segeltuchsitzen, Rückspiegeln, Armaturenbrett, Blattfedern und Dämpfern, Reifen und Metall-Leiterrahmenschienen.
- Zusätzliche bewegliche maßstabsgetreue Funktionen und Zubehörteile wie Rücksitz, Axt, Schaufel, zwei Ablagen, Windschutzscheibe, drehbares Lenkrad und Kraftstofftank.
- Die perfekte Ergänzung zu den 1/12-Figuren.
- Bis zu sieben LED-Lichter sind für Nachtfahrten enthalten.
- Optionale Teile (Planenverdeck, Maschinengewehr und Anhänger) sorgen für eine weitere maßstäbliche Veredelung.

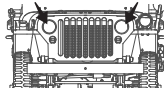
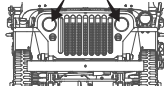
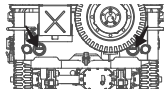
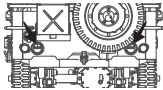
fernsteuerung

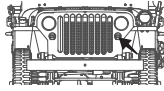
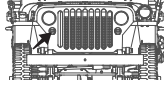
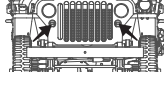


[1]	A/B Modus-Schalttaste	[8]	Rückwärtstastenmodus a / Lenkwinkelbegrenzungsmodus B
[2]	Reset-Taste (F.Reset) Modus A	[9]	Drosseltrimmung + (TH TRIM +) Modus A / Lichtschalter 1 Modus B
[3]	Lenkung Trim+ (ST TRIM+) Modus A	[10]	Drosseltrimmung - (TH TRIM -) Modus A / Lichtschalter 2 Modus B
[4]	Lenkung Trim- (ST TRIM-) Modus A	[11]	Kanal 6 (belegt)
[5]	Trainingsmodus B	[12]	Shift Taste
[6]	Klettern Modus B	[13]	Steuerrad
[7]	Ein-/Aus-Schalter	[14]	Gashebel

Kippschalter für die A/B-Modus-Funktion		
F.Reset	Bei der Verwendung der Störungseinstellungen, die nicht in den Normalzustand zurückkehren, können Sie die Funktion "Factory Reset" verwenden	Vergewissern Sie sich, dass der Kippschalter für die Modusfunktion auf Modus A steht, halten Sie das Lenkrad nach links oder rechts und klicken Sie gleichzeitig auf die Taste F. Reset. Nach zwei Klicks bedeutet dies, dass die Werkseinstellungen abgeschlossen sind.
REV	Nach dem Austausch des Lenkgetriebes wird das Lenkgetriebe umgedreht	Vergewissern Sie sich, dass der Kippschalter für die Modusfunktion auf Modus A steht, drehen Sie das linke oder rechte Lenkrad und klicken Sie gleichzeitig auf die Taste Rev. Nach dem Klingeln bedeutet dies, dass die Rückwärtseinstellung des Lenkgetriebes abgeschlossen ist.
	Nach dem Austausch des Motors fährt das Modell rückwärts	Vergewissern Sie sich, dass der Kippschalter für die Modusfunktion auf Modus A steht, ziehen oder drücken Sie den Gashebel und klicken Sie gleichzeitig auf die Taste "Rev". Nach dem Klingeln bedeutet dies, dass die Einstellung der Motorumkehr abgeschlossen ist.
	30 / 50 / 100% Lenkradius einstellen	Vergewissern Sie sich, dass der Kippschalter für die Modusfunktion auf Modus B steht, und klicken Sie auf die Taste ST-Winkel. Nach einem Klick bedeutet dies, dass der Lenkradius von 30 % eingestellt wurde. Klicken Sie erneut auf die Taste ST Angle, und Sie hören zwei Pieptöne, die anzeigen, dass die Einstellung von 50 % Lenkradius abgeschlossen ist. Klicken Sie erneut auf die Schaltfläche ST-Winkel, und Sie hören drei Pieptöne, die anzeigen, dass der Lenkradius von 100 % eingestellt ist. Klicken Sie dann zyklisch auf einen Klick, um anzuzeigen, dass der Lenkradius von 30 % eingestellt ist.
ST TRIM	Wenn die Lenkung nicht zentriert ist	Vergewissern Sie sich, dass der Kippschalter für die Modusfunktion auf Modus A steht, und drücken Sie die Taste ST TRIM+ oder -, um eine Feineinstellung der Lenkungsmittle vorzunehmen. Bei jedem Tastendruck klingelt es. Wenn die Maximal- und Minimalwerte erreicht sind, ertönt ein langer Ton. Wenn der Mittelwert erreicht ist, klingelt es zweimal.
TH TRIM	Wenn das Gas nicht zentriert ist	Vergewissern Sie sich, dass der Kippschalter für die Modusfunktion auf Modus A steht, und drücken Sie die Taste TH TRIM + / -, um eine Feineinstellung der Drosselklappenmitte vorzunehmen. Jeder Klick der Taste ertönt. Bei Erreichen des Maximal- und Minimalwerts klingelt die Taste, bei Erreichen des Mittelwerts klingelt die Taste zweimal.
LED	Licht-Einstellung	Vergewissern Sie sich, dass der Modusfunktions-Kippschalter auf Modus B steht, klicken Sie auf die LED-Taste, und der Scheinwerfer wird nach einem Klick eingeschaltet. Klicken Sie dann auf die LED-Taste, und der Scheinwerfer wird nach zwei Klicks hervorgehoben. Klicken Sie weiter auf die LED-Taste, und das Flugabwehrlicht wird nach drei Ringen eingeschaltet.
Train	Einstellen des Trainingsmodus für Anfänger	Vergewissern Sie sich, dass der Kippschalter für die Modusfunktion auf Modus B steht, klicken Sie auf die Schaltfläche "Train", und rufen Sie nach einem Klick den Trainingsmodus für Anfänger auf. Zurzeit ist die Gasgeschwindigkeit auf 50 % begrenzt. Drücken Sie die Taste erneut, und sie kehrt nach zwei Klingeltönen in den Normalzustand zurück.
Climbing	Steigmodus einstellen	Vergewissern Sie sich, dass der Kippschalter für die Modusfunktion auf Modus B steht, klicken Sie auf die Taste Steigen und gehen Sie nach einem Klick in den Steigmodus. Wenn das Gaspedal losgelassen wird, beginnt die Bremsfunktion. Wenn Sie einen steilen Abhang hinauffahren, ist es nicht einfach, rückwärts zu fahren. Drücken Sie die Taste erneut, und sie kehrt nach zwei Klingelzeichen in den Normalzustand zurück.

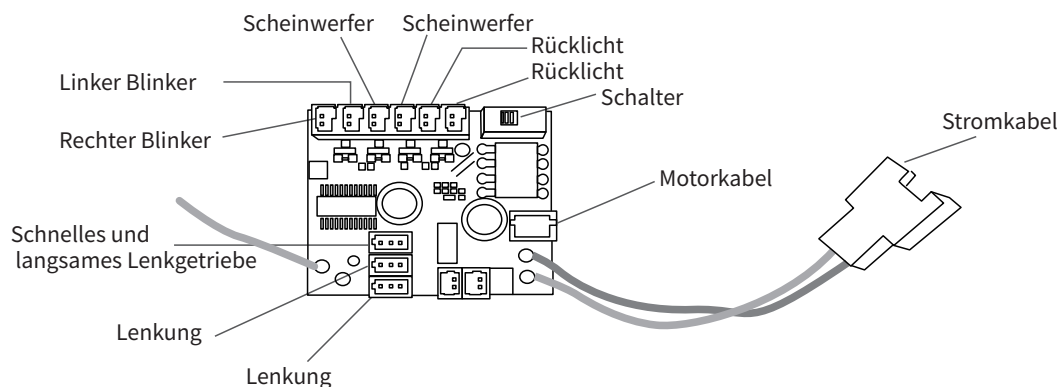
Sender: Erinnerung vergessen	Wenn der Sender keinen Befehl empfängt, gibt er nach 10 Minuten einen Alarm aus und geht nach 2 Minuten in den Ruhemodus über
Sender: Frequenzwarnung	When the transmitter does not match the receiver, the indicator light of the transmitter keeps flashing
Sender: keine Frequenzanpassung + geringe Leistungserinnerung 4.5V	Die Kontrollleuchte des Senders blinkt langsam und gibt einen Ton von sich
Sender: Low-Power-Erinnerung 4.5V	Die Kontrollleuchte des Senders blinkt langsam
Auto: Frequenzalarm	Die Scheinwerfer blinken ständig
Auto: Schwachstromalarm 6.3-6.4v	Alle Lichter blinken weiter, Lenkung und Gas werden nicht gesteuert
Auto: Erinnerungen gegen das Vergessen	Wenn das Fahrzeug kein Signal empfängt, blinkt es nach 10 Minuten hin und her und geht nach 2 Minuten in den Ruhemodus über

				Times for Pressing							
Button	Licht Position	Funktion	Power on is off by default	I	II	III	IV	V	Kontrolle Modus	Hinweise	
LED1#	Scheinwerfer	Immer an		•	AUS	AUS	AUS	AUS			
		Immer aus		AUS	•	•	AUS	AUS			
	Rückleuchte	Immer an		•	•	•	AUS	AUS			
		Konstante Beleuchtung		○	○	○	AUS	AUS	Steuerung des Gashebels	Wenn der Gashebel losgelassen wird, leuchtet die Leuchte für 0,5 Sekunden. Wenn innerhalb von 0,5 Sekunden eine Betankungsaktion stattfindet, wird sie nicht hervorgehoben. Das Rücklicht wird während des Bremsvorgangs hervorgehoben, um die Wirkung des Bremslichts zu simulieren.	
		Rückfahrlicht		○	○	○	AUS	AUS	Steuerung des Gashebels	Die Leuchte leuchtet beim Rückwärtsfahren	
		Nebelscheinwerfer	Normalerweise an		AUS	AUS	•	•	AUS		

LED2#	Blinker			I	II	AUS					
		Blinker links		○		AUS			Richtungssteuerung des Gestänges		
		Blinker rechts		○		AUS			Richtungssteuerung des Gestänges		
		Notfall-Blinker			•	AUS					

empfänger








Hinweis: Um die beste Signalqualität zu gewährleisten, stellen Sie sicher, dass die Antenne senkrecht zum Modellkörper in einer aufrechten Position montiert ist.



erste schritte

Installieren Sie vor dem Betrieb den Akku und schließen Sie das System wie unten beschrieben an.

★ Einsetzen der Senderbatterien

 Danger	Verwenden Sie nur die angegebene Batterie (X4 AA-Batterien).
 Danger	Öffnen Sie den Akku nicht, nehmen Sie ihn nicht auseinander und versuchen Sie nicht, ihn zu reparieren.
 Danger	Die Batterie nicht quetschen/einstecken und die externen Kontakte nicht kurzschließen.
 Danger	Setzen Sie das Gerät nicht übermäßiger Hitze oder Flüssigkeiten aus.
 Danger	Lassen Sie den Akku nicht fallen und setzen Sie ihn keinen starken Stößen oder Vibrationen aus.
 Danger	Lagern Sie den Akku immer an einem kühlen, trockenen Ort.
 Danger	Verwenden Sie den Akku nicht, wenn er beschädigt ist.

Batterie-Typ: AAA

Installation der Batterie:

1. öffnen Sie den Batteriefachdeckel.
2. Legen Sie 4 vollständig geladene AAA-Batterien in das Fach ein. Achten Sie darauf, dass die Batterie guten Kontakt mit den Kontakten des Batteriefachs hat.
3. Schließen Sie den Batteriefachdeckel wieder.

Alarm bei niedrigem Batteriestand: Wenn die Batterie weniger als 4.2 V aufweist, blinkt die LED auf dem Bedienfeld langsam.

anleitung

Befolgen Sie nach dem Einrichten die folgenden Anweisungen, um das System zu bedienen.

1. Automatischer Codeabgleich (Sender und Empfänger sind vor Verlassen des Werks erfolgreich codiert worden).

Wenn Sie einen anderen Sender oder Empfänger ersetzen müssen, führen Sie bitte die folgenden Schritte zur Codierung aus:

1. Wenn der Sender eingeschaltet und der Codeabgleichmodus aktiviert ist, blinkt die Leuchte ständig;
2. Die Stromversorgung der Empfangsplatine wird eingeschaltet, und die vorderen Lichter blinken weiter, um den Codeanpassungsmodus zu aktivieren;
3. Wenn der Codeabgleich erfolgreich war, leuchten alle Leuchten des Senders und alle Leuchten am Fahrzeug sind aus;

Hinweis: Wenn Sie den Code abgleichen, betätigen Sie bitte zuerst den Sender, um in den Codeabgleichsstatus zu gelangen, und dann betätigen Sie dann den Empfänger, um in den Codeabgleichsmodus zu gelangen.

2. AUSSCHALTEN

Führen Sie die folgenden Schritte aus, um das System auszuschalten:

1. Trennen Sie den Empfänger von der Stromversorgung.
2. Schalten Sie den Netzschalter des Senders auf die Position "Aus".



Danger

Stellen Sie sicher, dass Sie die Stromversorgung des Empfängers unterbrechen, bevor Sie den Sender ausschalten. Die Nichtbeachtung kann zu Schäden oder schweren Verletzungen führen.

anweisungen

1. Spezifikation der Fernsteuerung

Modell	HT-TX02
Einsatzzweck	RC Autos
Frequenz	2.4GHz
Sender Power	<20dBm
Protokoll	ANT

2. Spezifikation der Fernsteuerung

Reichweite	>100m(ground)
Auflösung	256 Grade
Batterie	6V DC 1.5AAA*4
Lade-Interface	Nein
Nutzungsdauer	Abhängig vom Batterie-Typ
Warnung bei niedriger Spannung	<4.45V
Antenne	eingebaute Antenne
Daten-Interface	Nein
Temperatur	-10°C ~ +60°C
Luftfeuchtigkeit	20-95%
Online Update	Nein
Farbe	Schwarz
Abmessungen	152mm *75mm *167mm
Gewicht	160g
Zertifizierung	CE, FCC ID: 2AUBX-HT-TX02

POSITION DES GASHEBELS

position des gashebels

Neutral



Vorwärts



Bremse/Rückwärts

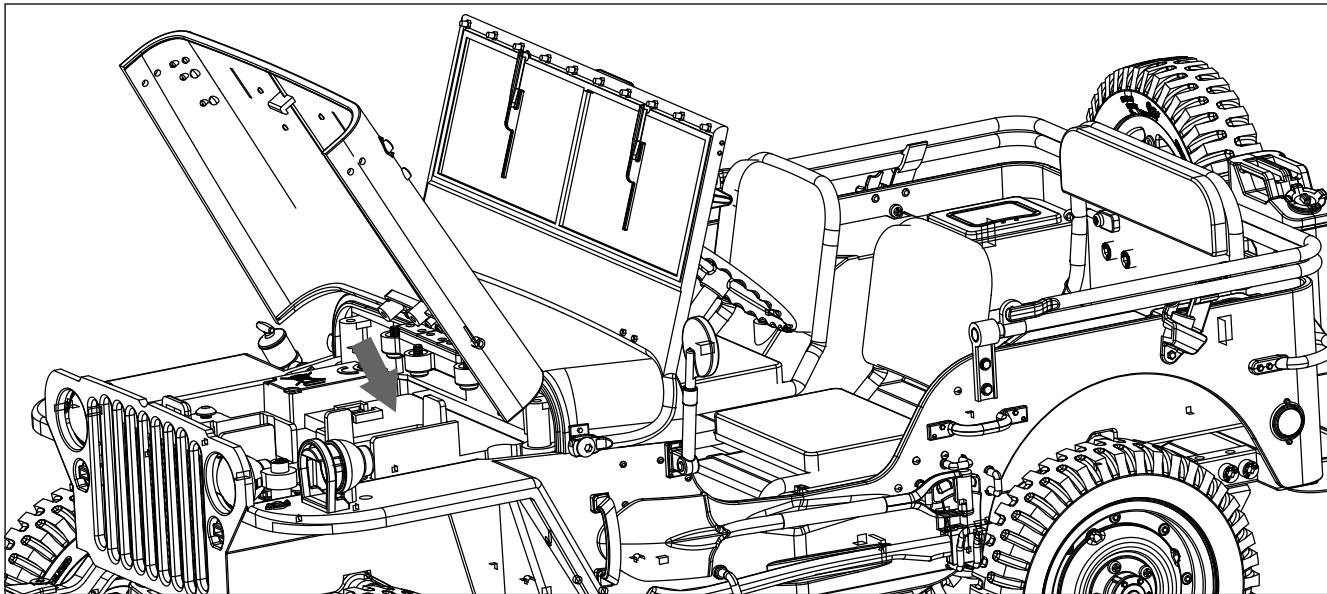


FAHRZEUG-EINSTELLUNG

akku einsetzen

Schritt 1: Öffnen Sie die Motorhaube.

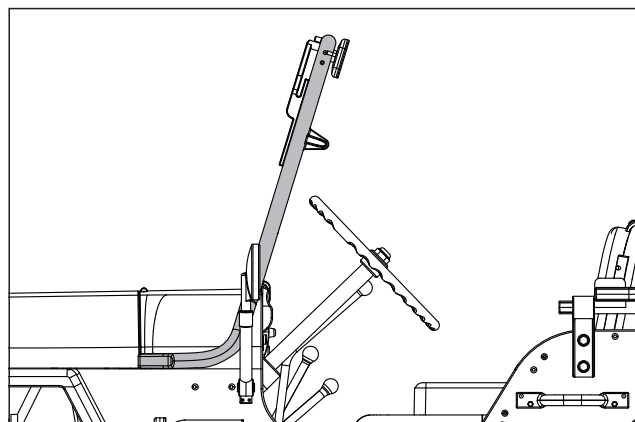
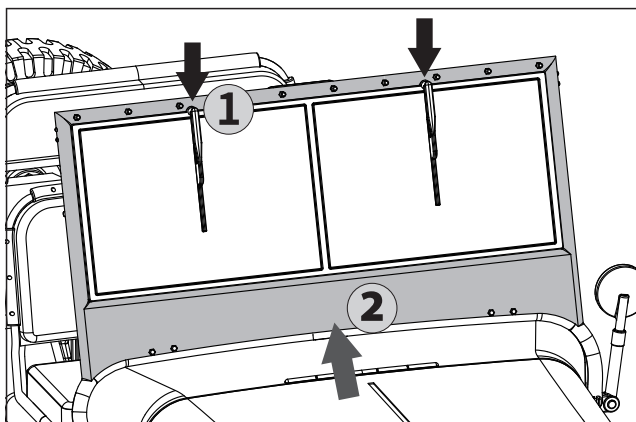
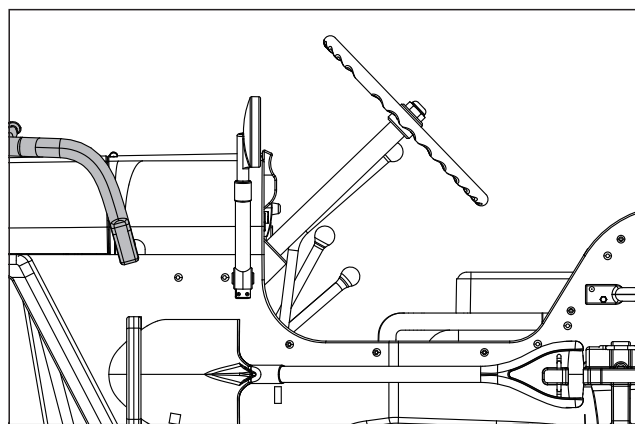
Schritt 2: Legen Sie den Akku in den Akkukasten und schließen Sie den Stecker an.



Montage von Scheibenwischer Windschutzscheibe

Schritt 1: Drücken Sie den Wischer in ein Loch.

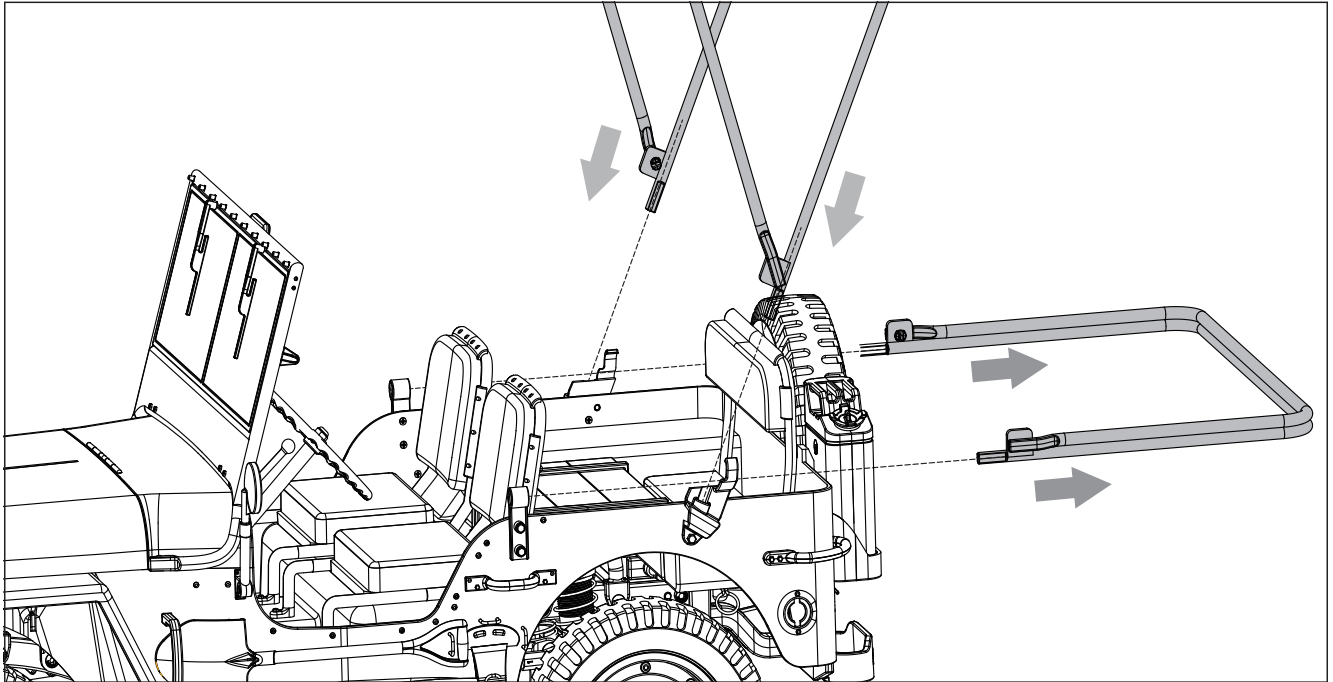
Schritt 2: Drücken und halten Sie vorsichtig die Mitte der Windschutzscheibe, biegen und schnallen Sie sie in 2 Löcher an der Motorhaube.



Dach einklappen

Schritt 1: Ziehen Sie den Planenhalter heraus.

Schritt 2: Stecken Sie die Segeltuchhalterung in das entsprechende Loch.

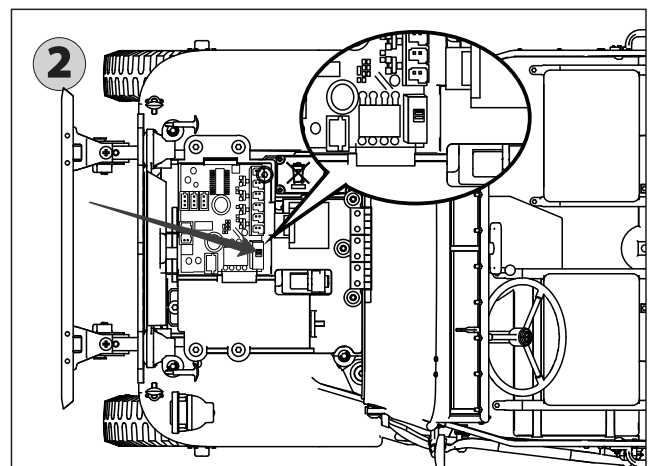


BEDIENUNG DES FAHRZEUGS

Schritt 1: Schalten Sie den Sender ein, die LED des Senders blinkt und wechselt in den Frequenzanpassungsmodus.

Schritt 2: Schalten Sie den Empfängerschalter ein, die LED blinkt und geht in den Frequenzanpassungsmodus.

Schritt 3: wenn der Sender und der Empfänger erfolgreich in der Frequenz sind, werden die vorderen Lichter des Senders für eine lange Zeit an sein, und die vorderen Lichter des Fahrzeugs werden aus sein.



Konformitätserklärung

Wir,
Dongguan Solid Model Technology Co.,Ltd
Add:Room 701, Block B, Luo Tian Community
Xiangshan Road 142, Songgang Street,
Shenzhen Baoan District, Shenzhen City of China 518101.

Telefon: +86 0755-61811796
Webseite:www.rochobby.com

erklären unter unserer Verantwortung, dass das Produkt:

Art der Ausrüstung: 1/12 1941 SCALER MB Antriebssystem und 2,4-GHz-Steuersystem

Markenname: ROCHOBBY

Ausrüstung Modell: 11201(11201RTR)



auf das sich diese Erklärung bezieht, mit den grundlegenden Anforderungen und anderen relevanten Anforderungen der RED-Richtlinie 2014/53/EU, der EMV-Richtlinie 2014/53/EU, der FCC-Kennung 2AUBX-HT-TX-02 konform ist. Das Produkt ist konform mit mit den folgenden Normen und/oder anderen normativen Dokumenten:

ETSI EN 301 489-1 V2.2.3(2019-11)

ETSI EN 301 489-17 V3.2.4(2020-09)

EN 55032:2015+A11:2020

EN 55035:2017+A11:2020

EN61000-3-2:2014

EN61000-3-3:2013

EN : 62479:2010

ETSI EN 300 328 V2.2.2 (2019-07)

VERTEILER

Distributor für Deutschland, Österreich, Schweiz:

D-Power Modellbau

Sürther Str. 92-94

50996 Köln

Germany

Tel.: (0221) 346 641 57

TABLE DES MATIÈRES

Consignes de sécurité	31
Ensemble de radiocommande	32
Position de la gâchette des gaz	40
Configuration du véhicule	41
Montage des essuie-glaces et repli du pare-brise	41
Mise en place du support de capote	42
Utilisation du véhicule	42
Roues	56
Transmission	56
Boîte de transfert	57
Ensemble essieu Avant	57
Ensemble essieu arrière	58
Siège conducteur	59
Siège avant droit	59
Banquette arrière	60
Pare-brise	60
Servo de direction	61
Servo de volant	61
Servo de changement de rapport	61
Vue éclatée du châssis 1	62
Vue éclatée du châssis 2	63
Ensemble carrosserie 1	64
Ensemble carrosserie 2	65
Produit fini	66
Nomenclature (I)	71
Nomenclature (II)	72

CONSIGNES DE SÉCURITÉ

introduction

Ce manuel est rédigé afin de vous aider à utiliser, entretenir et réparer correctement le véhicule. Comme de nombreux composants sont spécifiques pour cette voiture, pensez à conserver ce manuel comme référence pour le futur. Constitué d'éléments de haute précision, la SCALER MB 1941 au 1/12è de ROCHOBBY n'est pas un jouet et n'est donc pas adaptée

pour une utilisation par des enfants de moins de 14 ans. Les mineurs doivent être accompagnés par un adulte lors de l'utilisation. Ne pas utiliser ou entretenir ce véhicule correctement peut entraîner des blessures.

Il est de la seule responsabilité du propriétaire d'utiliser et d'entretenir correctement ce produit. ROCHOBBY et ses distributeurs

ne sont responsables en aucune manière de blessures et/ou de dégâts matériels pouvant résulter de l'utilisation de ce produit.

Remplacez les éléments endommagés par des pièces d'origine. Faites particulièrement attention aux polarités de tous les câblages du véhicule.

consignes de sécurité et avertissements

- Remplacez les éléments endommagés par des pièces d'origine. Faites particulièrement attention aux polarités de tous les câblages du véhicule.
- Faites preuve de bon sens lors du choix de l'environnement où vous utilisez votre véhicule. Ne l'utilisez pas à proximité de lignes électriques, de tours de transmission ou d'émetteurs de téléphonie mobile, sur des eaux profondes ou des terrains instables. L'utilisateur est seul responsable de ses actions.
- Le produit comprend des éléments électroniques de précision. Il est capital de tenir ce produit à l'écart de l'humidité et d'autres contaminants.
- Contrôlez toujours la portée radio avant utilisation afin d'éviter une perte de transmission ou des interférences.
- Utilisez ce produit en fonction de vos capacités. S'il est dangereux de récupérer le véhicule, ça ne vaut jamais la peine de prendre des risques.
- Allumez toujours l'émetteur avant de brancher la batterie du modèle. Pour la mise hors tension, débranchez toujours la batterie du modèle avant d'éteindre l'émetteur. En procédant en sens inverse, le modèle peut devenir incontrôlable et causer des dégâts importants.
- Ne faites jamais fonctionner l'émetteur avec des piles faibles, cela peut causer une perte de contrôle.
- Les plastiques du véhicule peuvent être endommagés ou déformés en cas de climat extrêmement chaud ou froid. Ne stockez pas le modèle près de sources de chaleur comme un four ou une bouche de chauffage. Rangez le modèle à l'intérieur, dans une pièce à température tempérée et contrôlée.

informations sur la conformité CE pour l'union européenne

Les agences de réglementation associées aux pays suivants reconnaissent les certifications notées pour ce produit comme autorisé à la vente et à l'utilisation.

UK	DE	DK	BG	SE	GZ	ES	NL	SK	HU	RO	FR	PT
FI	EE	LV	LT	PL	AT	CY	SI	GR	MT	IT	IE	LU

Déclaration de conformité

Produits : Contrôleur 2.4 GHz

Classe d'équipement : 2

Les objets de la déclaration décrits ci-dessus sont en conformité aux exigences du cahier des charges énumérés ci-dessous.

Nom de l'élément : Contrôleur 2.4 GHz

The RED Directive 2014/53/EU

EN 60950-1:2006 + A11:2009 + A1:2010 + A12:2011 + A2:2013

EN 300 328 V2.1.1:2016

EN 301 489-1 V2.1.1:2017

EN 301 489-17 V3.1.1:2017

FCC ID 2AUBX-HT-TX02

Déclaration - Cet appareil est conforme à la partie 15 des règles de la FCC.

L'utilisation est soumise aux deux conditions suivantes :

1. Cet appareil ne peut pas causer d'interférences nuisibles, et.
2. Cet appareil doit accepter toute interférence reçue, y compris les interférences qui peuvent causer des fonctionnements indésirables. Tout changement ou modification non approuvée expressément par la partie responsable de la conformité peut annuler le droit de l'utilisateur d'utiliser l'équipement.

Avertissement sur l'exposition aux rayonnements RF:

Cet équipement est conforme aux limites d'exposition aux radiations FCC établies pour un environnement non contrôlé. Il doit être utilisé avec une distance minimale de 20 cm entre l'antenne et votre corps.

Merci de lire attentivement ce manuel avant utilisation. Nous ne sommes pas responsables de tous dégâts intentionnels ou d'une mauvaise utilisation. Si vous avez besoin d'informations supplémentaires ou si vous avez des questions concernant le produit ou son utilisation, merci de nous contacter via notre site : www.rochobby.com




Ce produit n'est pas un jouet ! Il est conseillé pour des enfants de 14 ans ou plus. La surveillance par un adulte est obligatoire pour les moins de 14 ans. Contient de petites pièces, tenir hors de portée des enfants de moins de trois ans.



ENSEMBLE DE RADIOCOMMANDE

symboles de sécurité

Faites bien attention aux symboles suivants et à leur signification. Ne pas respecter ces avertissements peut causer des dégâts matériels, des blessures et même entraîner la mort.

 Avertissement	Ne pas respecter ces instructions peut causer des blessures légères.
 Attention	Ne pas respecter ces instructions peut causer des blessures graves.
 Danger	Ne pas respecter ces instructions peut causer des blessures graves et même la mort.

consignes de sécurité



Interdit



Obligatoire



- N'utilisez pas ce produit la nuit ou par mauvais temps comme sous la pluie ou sous un orage. Cela peut entraîner un fonctionnement erratique ou une perte de contrôle.
- N'utilisez pas ce produit si la visibilité est limitée.
- N'utilisez pas ce produit sous la pluie ou les jours de neige. Toute exposition à l'humidité (eau ou neige) peut entraîner un fonctionnement erratique ou une perte de contrôle.
- Une interférence peut entraîner une perte de contrôle. Pour assurer votre sécurité et celle des autres, n'utilisez pas ce produit dans les endroits suivants :
 1. A proximité de sites ou d'autres activités de radiocommande peuvent avoir lieu.
 2. A proximité de lignes électriques ou d'antennes de télécommunications ou relais TV.
 3. A proximité de personnes ou de routes.
 4. Sur des plans d'eaux si des bateaux avec passagers sont présents.
- N'utilisez pas ce produit si vous êtes fatigué, pas en forme, ou sous l'influence d'alcool ou de drogues. Ceci peut entraîner des blessures graves pour vous ou pour les autres.
- La bande radio 2.4 GHz est limitée à la portée visuelle directe. Gardez toujours votre modèle en vue car un gros objet peut bloquer le signal RF et entraîner une perte de contrôle.
- Ne touchez aucun élément du modèle qui peut générer de la chaleur lors de l'utilisation ou juste après usage. Le moteur ou le contrôleur de vitesse peuvent devenir très chauds et entraîner des brûlures graves.



- Une mauvaise utilisation de ce produit peut causer des blessures graves et même la mort. Pour assurer votre sécurité et celles des autres, ainsi que celle de votre matériel, lisez ce manuel et suivez les instructions.
- Assurez-vous que le produit est correctement installé dans votre modèle. Ne pas le faire peut causer des blessures graves.
- Veillez à toujours débrancher la batterie du modèle avant d'éteindre l'émetteur. Ne pas le faire peut entraîner un fonctionnement non désiré et causer un accident.
- Vérifiez que tous les moteurs tournent dans le bon sens. Sinon, régler les sens de rotation avant tout.
- Assurez-vous que le modèle reste à une distance inférieure à la portée de l'ensemble radio afin d'éviter toute perte de contrôle.

introduction

“Elle faisait tout, elle allait n'importe où, elle était aussi fidèle qu'un chien, aussi forte qu'un mulet et aussi agile qu'une chèvre. Elle a toujours porté deux fois plus que ce pour quoi elle avait été conçue et a toujours continué à avancer...”

—Ernie Pyle, correspondant de guerre et lauréat du prix Pulitzer

Lors de sa mise en service dans les années quarante, la SCALER MB n'était pas le seul véhicule léger tout-terrain sur les champs de bataille. Ce n' était pas la conception la plus révolutionnaire et elle n'intégrait pas de technologie de pointe. Cependant, elle allait déclencher une révolution. Conçue pour s'attaquer aux terrains les plus extrêmes, elle est devenue le cheval de bataille fiable et polyvalent honoré par les soldats du monde entier pour les années à venir.

Pour reproduire et capturer l'essence même de la SCALER MB, ROCHOBBY a réalisé un processus complet de tests et enchaîné les mises au point avant de vous présenter ce modèle unique en son genre : sa maquette au 1/12ème.

Tout comme sa grande soeur, le "1:6 1941 SCALER MB" que nous avons créée un an plus tôt, elle dispose d'une carrosserie rigide moulée réaliste, finie à l'aide d'une technique de sérigraphie toute en finesse et comprenant de vrais rétroviseurs, un tableau de bord détaillé, des pneus en caoutchouc et des accessoires amovibles tels que le bidon de carburant, la hache, la pelle, le capot, le pare-brise et un ensemble d'arceaux pour une capote optionnelle.

Toutefois, la SCALER MB 1941 au 1/12ème vous en donne encore plus.

- Plus de détails, comme des sièges imitant le tissu, une banquette arrière rabattable avec des bacs ouvrables, des pneus avec des sculptures maquettes...
- Plus de réalisme, puisque le châssis de la SCALER MB est basé sur une échelle robuste reproduisant son homologue grandeur nature, des lames de ressorts multiples avec amortisseurs, mais aussi des différentiels décalés, ce qui rend ce véhicule parfaitement conforme aux légendaires et historiques SCALER.
- Plus polyvalente, la SCALER MB est équipée d'un fantastique système d'éclairage à LEDs (4 clignotants, 2 phares et un feu occultant), pour explorer l'obscurité la nuit.

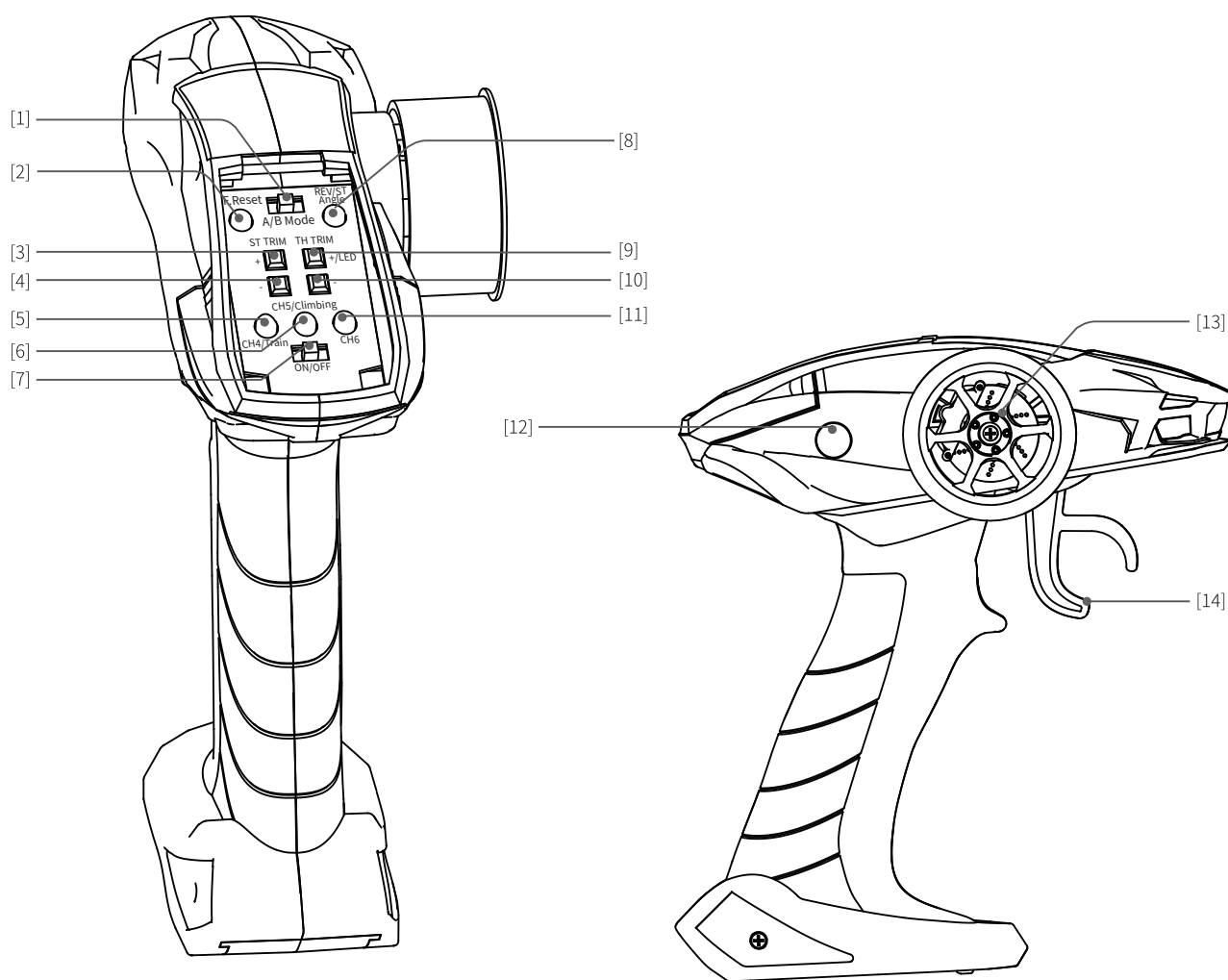
Outre la finition et les détails maquette, son émetteur 2.4 GHz ANT offre aux modélistes, des débutants aux experts, la possibilité de profiter pleinement des sentiers avec une option de transmission à deux rapports (mode Crawling et mode Débutant), ainsi que d'alerter l'utilisateur avec une alarme de batterie faible, une alarme en cas d'oubli d'extinction de l'émetteur, protection contre les surcharges du moteur et plus encore !

Parfois, plus petit est encore mieux ! La légende est toujours vivante : voici la SCALER MB 1941 !

SPÉCIFICITÉS

- Transmission 4 roues motrices authentique. Véhicule livré avec émetteur, récepteur et batterie.
- Carrosserie vert armée reproduite finement avec marquage sérigraphié.
- Détails maquettes réalistes comprenant les sièges façon tissu, les rétroviseurs, le tableau de bord, les suspensions avec ressorts à lames et amortisseurs, de vrais pneus et un châssis en échelle avec rails en métal.
- Éléments maquettes mobiles et accessoires supplémentaires comme la banquette arrière, la pelle et la hache, deux bacs, le pare-brise, un volant qui tourne et un bidon d'essence.
- Va parfaitement avec des personnages au 1/12ème.
- Jusqu'à 7 éclairages à LEDs sont inclus pour la conduite de nuit.
- Des pièces optionnelles (vendues à part) comme la capote, la mitrailleuse ou la remorque pourront venir compléter la finition.

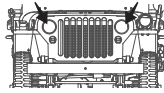
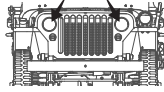
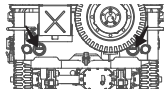
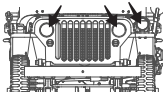
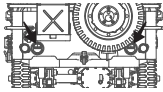
instructions pour l'émetteur

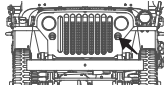
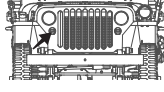
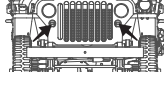


[1]	Sélecteur Mode A/B	[8]	Mode A - Bouton d'inversion Mode B - Limitation d'angle de braquage
[2]	Mode A - Bouton Reset (F.Reset)	[9]	Mode A - Trim de gaz + (TH TRIM+) Mode B - Inter d'éclairage 1
[3]	Mode A - Trim de direction + (ST TRIM+)	[10]	Mode A - Trim de gaz - (TH TRIM-) Mode B - Inter d'éclairage 2
[4]	Mode A - Trim de direction - (ST TRIM-)	[11]	Voie 6 (Réservée)
[5]	Mode B - Mode entraînement	[12]	Bouton de changement de rapport
[6]	Mode B - Mode Crawling	[13]	Volant
[7]	Interrupteur d'alimentation	[14]	Gâchette des gaz

Mode A/B et explications		
F.Reset	En cas de dérèglement, permet de réinitialiser l'émetteur aux paramètres d'usine.	Assurez-vous que le sélecteur de mode est sur le Mode A. Maintenez le volant en butée à droite ou à gauche et appuyez simultanément sur le bouton F.Reset. Après deux bips, les réglages d'usine par défaut sont réinitialisés.
REV / ST Angle	Après remplacement du servo de direction, le sens du servo de direction est inversé.	Assurez-vous que le sélecteur de mode est sur le Mode A. Tournez le volant vers la gauche ou vers la droite, et appuyez simultanément sur le bouton REV. Un son indique que l'inversion du sens de la direction est réalisée.
	Après échange du moteur, le sens de circulation est à l'envers.	Assurez-vous que le sélecteur de mode est sur le Mode A. Poussez ou tirez la gâchette des gaz, et appuyez simultanément sur le bouton REV. Un son indique que l'inversion du sens des gaz est réalisée.
	Réglage du rayon de braquage : Options 30 %, 50 %, 100 %	Assurez-vous que le sélecteur de mode est sur le Mode B. Appuyez sur le bouton ST Angle. Un bip signifie que le rayon de braquage limité à 30 % est sélectionné. Appuyez à nouveau sur le bouton ST Angle. Deux bips signifient que le rayon de braquage limité à 50 % est sélectionné. Appuyez à nouveau sur le bouton ST Angle. Trois bips signifient que le rayon de braquage à 100 % est sélectionné. Un nouvel appui sur le bouton ST Angle lance un nouveau cycle, un bip indique que le rayon de braquage limité à 30 % est sélectionné et ainsi de suite.
ST TRIM	Si volant au neutre, la direction n'est pas centrée.	Assurez-vous que le sélecteur de mode est sur le Mode A. Appuyez sur le bouton ST TRIM+ ou ST TRIM- pour régler finement le neutre de la direction. A chaque appui, un bip est émis. Quand la valeur maxi ou mini est atteinte, un bip long sera émis. Quand vous atteignez la valeur milieu, un double bip est émis.
TH TRIM	Si gâchette des gaz au neutre, la fonction des gaz n'est pas centrée.	Assurez-vous que le sélecteur de mode est sur le Mode A. Appuyez sur le bouton TH TRIM+ ou TH TRIM- pour régler finement le neutre des gaz. A chaque appui, un bip est émis. Quand la valeur maxi ou mini est atteinte, un bip long sera émis. Quand vous atteignez la valeur milieu, un double bip est émis.
LED	Réglage des éclairages	Assurez-vous que le sélecteur de mode est sur le Mode B. Appuyez sur le bouton LED. Les phares avant s'allument après un appui. Appuyez à nouveau sur le bouton LED. Les phares avant s'allument en haute intensité avec deux bips. Appuyez à nouveau sur le bouton LED. Le phare occulté (anti aérien) s'allume avec 3 bips.
Train	Permet d'activer le mode débutant	Assurez-vous que le sélecteur de mode est sur le Mode B. Appuyez sur le bouton Train. Un bip indique que vous êtes en mode débutant. A présent, la puissance des gaz est limitée à 50 %. Appuyez de nouveau sur le bouton Train, deux bips sont émis et vous revenez à la puissance normale.
Climbing	Règle le mode pour le crawling	Assurez-vous que le sélecteur de mode est sur le Mode B. Appuyez sur le bouton Climbing. Un bip est émis. Désormais, si vous relâchez la gâchette des gaz, une fonction de freinage s'active. Il n'est pas facile de reculer quand vous êtes sur une pente accentuée. Appuyez de nouveau sur le bouton Climbing. Deux bips sont émis, et vous être revenu en mode normal.

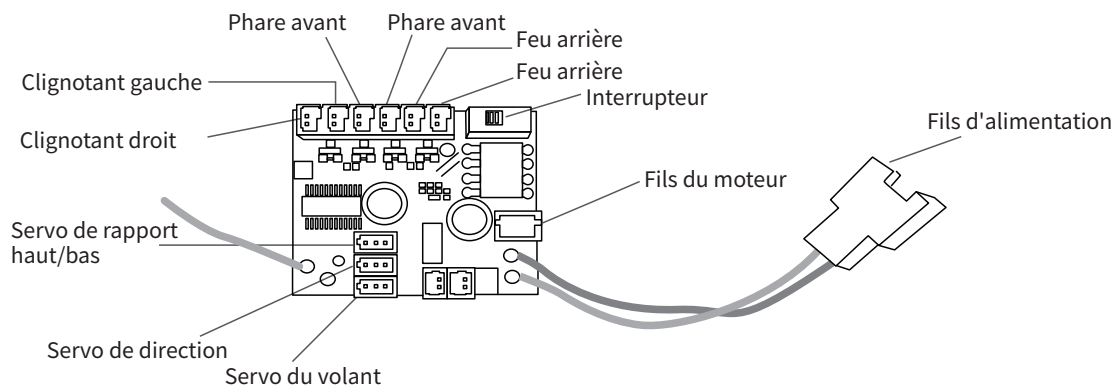
Emetteur : Alarme de non-utilisation	Si vous n'agissez sur aucune commande de l'émetteur durant 10 minutes, une alarme retentit. Deux minutes plus tard, l'émetteur se met en veille.
Emetteur : Alarme de fréquence	Si l'émetteur n'est pas connecté au récepteur, l'indicateur lumineux clignote.
Emetteur : Non-correspondance de fréquence + Alarme de tension < 4.5V	L'indicateur lumineux de l'émetteur clignote lentement et un son est émis.
Emetteur : Tension inférieure à 4.5 V	L'indicateur lumineux de l'émetteur clignote lentement
Véhicule : Alarme de fréquence	Les phares avant clignotent
Véhicule : Tension faible (6.3-6.4V)	Toutes les LEDs clignent, plus de contrôle de la direction ni des gaz.
Véhicule : Alarme de batterie restée branchée	Si le véhicule ne reçoit aucun signal, il va clignoter d'avant en arrière après 10 minutes et se mettra en veille deux minutes plus tard.

				Nombre d'appuis							
Bouton	Position d'éclairage	Fonction	Eclairage est coupé par défaut	I	II	III	IV	V	Moyen de contrôle	Remarques	
LED1#	Phares avant	Toujours ON		•	OFF	OFF	OFF	OFF			
		Toujours OFF		OFF	•	•	OFF	OFF			
	Feux arrière	Toujours ON		•	•	•	OFF	OFF			
		Feux AR suréclairage constant		○	○	○	OFF	OFF	Contrôle par commande des gaz	Quand les gaz sont relâchés, les feux s'allument 0,5 seconde. Si on remet les gaz dans les 0.5 secondes, ils ne sont pas allumés en haute intensité. Les feux arrière sont allumés en haute intensité pour simuler l'action des feux stop.	
		Feux de recul		○	○	○	OFF	OFF	Contrôle par commande des gaz	Le phare de recul s'allume quand vous faites marche arrière.	
	Antibrouillard	Allumé normal		OFF	OFF	•	•	OFF			

LED2#	Clignotants			I	II	OFF					
		Clignotant gauche		○		OFF			Contrôle par commande de direction		
		Clignotant droit		○		OFF			Contrôle par commande de direction		
		Feux de détresse			•	OFF					

généralités sur le récepteur








Note : Afin d'assurer la meilleure qualité de signal, veillez à ce que l'antenne soit montée perpendiculaire à la carrosserie du modèle et tournée vers le haut.



mise en route

Avant l'utilisation, placez les piles dans l'émetteur et connectez l'ensemble en suivant les instructions ci-dessous.

★ Installation des piles dans l'émetteur

 Danger	N'utilisez que les piles spécifiées (4 x piles AAA)
 Danger	Ne pas ouvrir, démonter, ou tenter de réparer les piles ou les batteries.
 Danger	Ne pas écraser/poinçonner les piles ou batteries, ne pas mettre en court-circuit les contacts.
 Danger	Ne pas exposer à une chaleur excessive ou à des liquides.
 Danger	Ne pas laisser tomber les piles ou batteries, ne pas les exposer à des chocs ou vibrations intenses.
 Danger	Toujours ranger les batteries dans un endroit sec et tempéré.
 Danger	N'utilisez pas les piles ou batteries si elles sont endommagées.

Type de piles : AAA

Mise en place :

1. Ouvrez la trappe du logement des piles.
2. Placez 4 piles AAA chargées à fond dans le logement. Assurez-vous que les piles ont un bon contact avec les plots dans le logement des piles.
3. Replacez la trappe du logement des piles.

Alarme de piles faibles : Si la tension des piles tombe sous 4.2 V, la LED sur le panneau clignotera lentement.

Instructions pour l'appairage

Après la préparation, suivez ces instructions pour utiliser le système.

1. Appairage automatique (l'émetteur et le récepteur ont été appairés avant que quitter l'usine).

Si vous avez besoin de remplacer soit l'émetteur, soit le récepteur, suivez les étapes ci-dessous pour refaire l'appairage :

1. Quand l'émetteur est allumé et que le mode de correspondance de code est actif, la LED clignote.
2. Le récepteur est mis sous tension et les LEDs à l'avant restent clignotantes pour entrer le code correspondant.
3. Quand l'appairage est réussi, toutes les LEDs sur l'émetteur sont allumées et toutes celles du véhicule sont éteintes.

Note : Pour l'appairage, merci de faire fonctionner l'émetteur en premier pour entrer en mode d'appairage, puis faites fonctionner le récepteur pour le faire entrer en mode de correspondance de code.

2. Mise hors tension

Suivez les étapes ci-dessous pour éteindre le système :

1. Débranchez l'alimentation du récepteur.
2. Basculez l'interrupteur de l'émetteur sur la position OFF.



Danger

Veillez à toujours débrancher l'alimentation du récepteur avant d'éteindre l'émetteur. Sans quoi, il y a un risque de dégâts ou de blessures graves.

instructions

1. Caractéristiques de l'émetteur

Modèle du produit :	HT-TX02
Type de modèles adaptés :	Voitures
Bande de fréquence	2.4 GHz
Puissance d'émission	< 20 dBm
Protocole sans fil	ANT

2. Caractéristiques de l'émetteur

Portée	> 100 m (au sol)
Résolution des voies	256 pas
Piles	4 x piles AAA 1.5 V, soit 6V DC
Interface de charge	Non
Autonomie	Dépend du type de piles
Alarme de tension faible	< 4.45 V
Type d'antenne	Antenne unique intégrée
Interface de données	Non
Plage de température	-10 °C ~ +60 °C
Plage d'humidité	20-95 %
Mise à jour en ligne	Non
Couleur	Noire
Dimensions	152 x 75 x 167 mm
Poids	160 g
Certification	CE, FCC ID: 2AUBX-HT-TX02

POSITIONS DE LA GÂCHETTE DES GAZ

Positions de la gâchette des gaz

Position neutre



A fond en marche avant



A fond en marche arrière

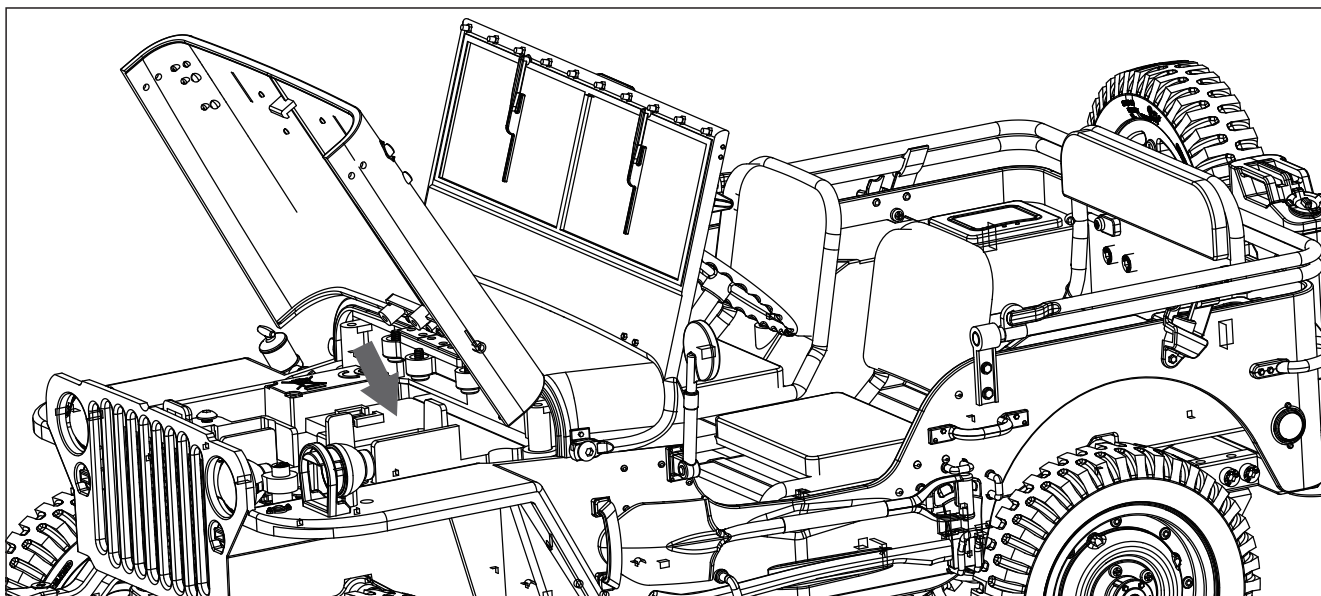


CONFIGURATION DU VÉHICULE

Connexion de la batterie

ETAPE 1 : Ouvrez le capot.

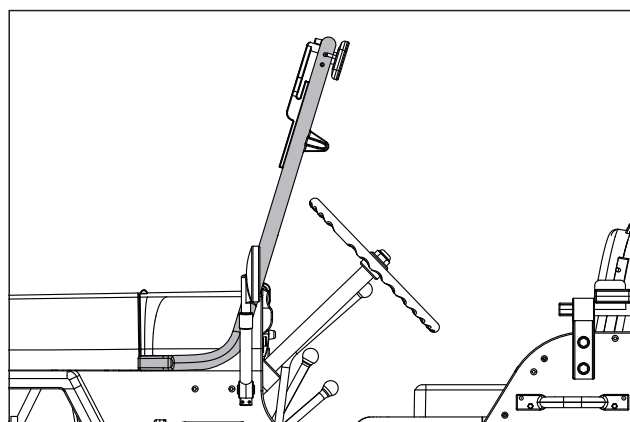
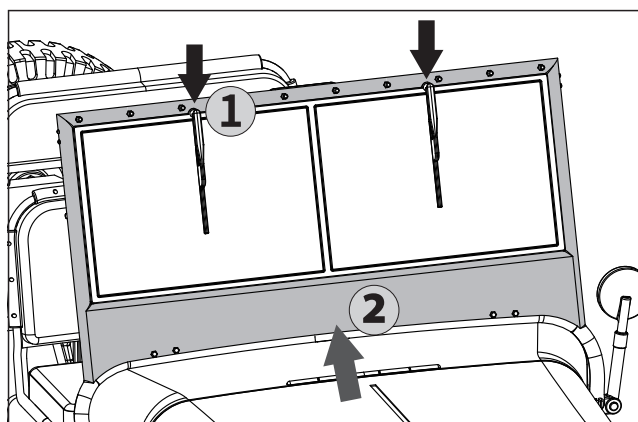
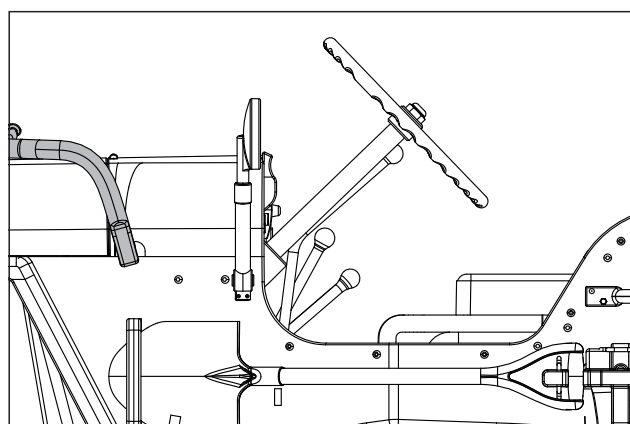
ETAPE 2 : Placez la batterie dans son logement et branchez le connecteur de la batterie.



MONTAGE DES ESSUIE-GLACES ET REPLI DU PARE-BRISE

ETAPE 1 : Enfoncez l'essuie-glace dans un trou.

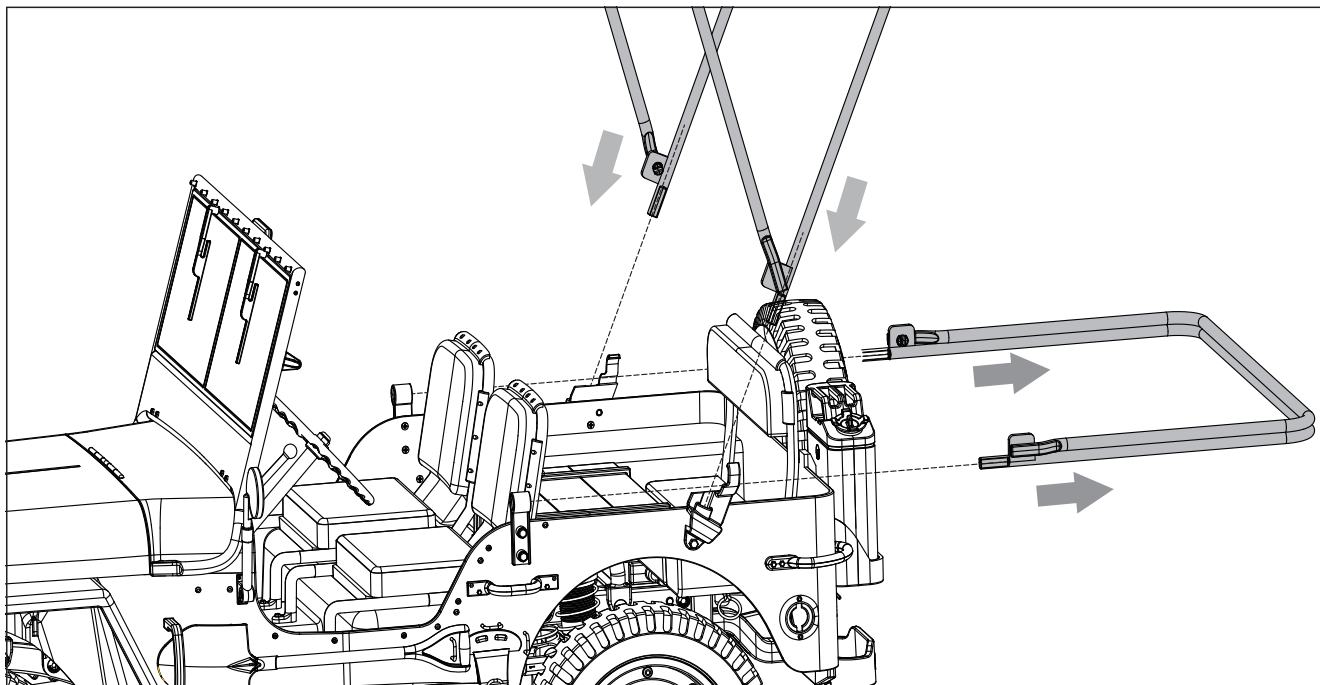
ETAPE 2 : Appuyez doucement et maintenez le centre du pare-brise, pliez et basculez le pare-brise vers les 2 trous sur le capot.



MISE EN PLACE DU SUPPORT DE CAPOTE

ETAPE 1 : Tirez le support de capote.

ETAPE 2 : Insérez le support de capote dans ses supports.

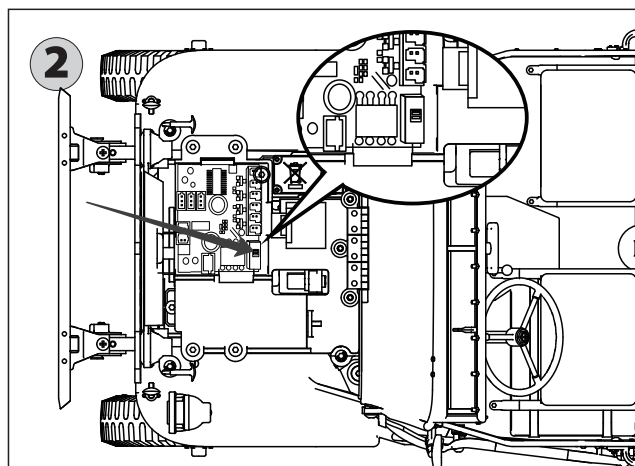
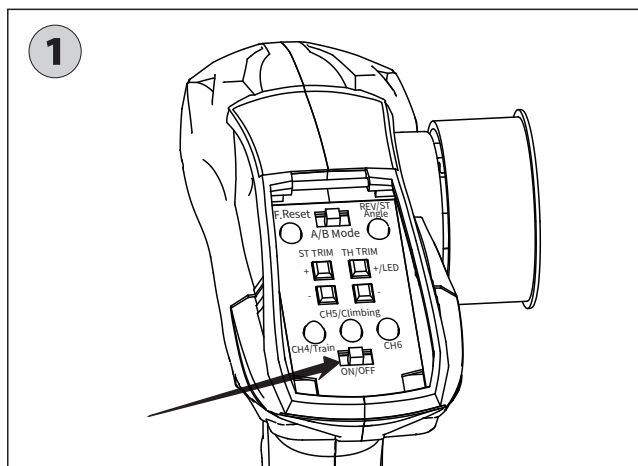


UTILISATION DU VÉHICULE

ETAPE 1 : Allumez l'émetteur. La LED avant de l'émetteur clignote et entre en mode d'appairage automatique.

ETAPE 2 : Allumez l'interrupteur du récepteur, les phares vont clignoter et entrer en mode d'appairage.

ETAPE 3 : Quand l'émetteur et le récepteur sont appairés, les LEDs à l'avant de l'émetteur restent allumées et les phares de la voiture s'éteignent.



Déclaration de conformité (DoC)

Nous,
Dongguan Solid Model Technology Co.,Ltd
Add:Room 701, Block B, Luo Tian Community
Xiangshan Road 142, Songgang Street,
Shenzhen Baoan District, Shenzhen City of China 518101.

Phone: +86 0755-61811796
Web:www.rochobby.com

Déclarons sous notre responsabilité que le produit :

Type d'équipement: 1/12 1941 SCALER MB Ensemble de pilotage et de contrôle 2,4 GHz

Marque: ROCHOBBY

Modèle de l'équipement: 11201(11201RTR)



auquel se rapporte cette déclaration est conforme aux exigences essentielles et aux autres exigences applicables de la directive RED 2014/53/UE, de la directive EMC 2014/53/UE, de l'identifiant FCC 2AUBX-HT-TX-02. Le produit est conforme aux normes et/ou aux autres documents normatifs suivants :

ETSI EN 301 489-1 V2.2.3(2019-11)
ETSI EN 301 489-17 V3.2.4(2020-09)
EN 55032:2015+A11:2020
EN 55035:2017+A11:2020
EN61000-3-2:2014
EN61000-3-3:2013
EN : 62479:2010
ETSI EN 300 328 V2.2.2 (2019-07)

DISTRIBUTEUR

Distributeur en France et au Benelux:

Beez2B sprl

54 rue de Thy

B-1470 Baisy Thy

Belgique 3 Tél.: +32 2 376 71 82

目录

安全保障措施	45
无线电系统	45
油门扳机位置	53
车辆设置	54
安装雨刷, 收放挡风玻璃窗框	54
展开帆布车篷支架	55
车辆操作	55
车轮	56
变速箱	56
分动箱	57
前桥总成	57
后桥总成	58
驾驶员座椅	59
副驾驶座椅	59
后排座椅	60
风挡	60
转向舵机	61
方向盘联动舵机	61
换档舵机	61
底盘装配图一	62
底盘装配图二	63
车身装配图一	64
车身装配图二	65
完成品	66
配件表明细一	73
配件表明细二	74

安全保障措施

指引

本手册可以有效帮助您正确操作、维护和修理本品。由于本品所涉多数部件为特有部件，请保留本手册作为未来参考之用。

这款产品由精密制造的组件组成，非玩具级别，不适合14岁以下的儿童操作使用。

未成年人应在有经验的成年人陪同下操作使用。不当操作或维护会造成车辆损坏，甚至可能导致人身及财产损失。

本品操作者需以安全的方式操作本品。ROCHOBBY及其分销商不以任何方式对不当使用本产品所可能造成的任何人身伤害或财产损失负责。

安全、预防措施及警告

- 请使用原厂部件更换损坏的部件。特别注意所有车辆接线的正负极。
- 务必选择合适的环境操作遥控模型，所选环境需远离电缆、无线电塔、深水及不稳定地形。本品操作者对其行为全权负责。
- 本品由精密电子部件构成。请勿将本品暴露于潮湿的环境或者其他污染物中，以免造成损坏。
- 确保每次操作前检查车辆的无线接收范围，以防止无线信号丢失或受干扰。
- 在您的能力范围内操作此产品。在任何时候，如果车辆操作有危险，则绝对不值得冒险。
- 通电方式:务必先开遥控器再将车子通电。断电方式:务必先将车子断电再关遥控器。以上顺序如逆转，则可能引起遥控模型失控，导致人身伤害或财产损失。
- 遥控器电池低电时，不要操作模型车，以免造成失控。
- 模型产品上的塑胶件容易因极冷或极热气候出现变形或损坏的状况。所以请将模型产品存放于常温环境中。

使用前请仔细阅读本手册。我们不对任何故意损坏或不当使用负责。这个产品不是玩具！建议 14 岁及以上者使用。14 岁以下的用户，需要在成年人监督下使用。本产品部分包含小零件，请务必保证 3 岁及以下儿童不能接触本产品。






MADE IN CHINA

无线电系统

安全符号

仔细阅读以下符号及其相关说明，如不按照以下指引进行操作，可能会导致设备损坏或人员伤亡。

 注意	如果使用者不按照说明方法操作，有可能导致操作者或他人受到轻微伤害。
 警告	如果不按照说明方法操作，可能导致操作者或他人遭受较大伤害。
 危险	如果不按照说明方法操作，可能导致操作者或他人严重受伤，甚至遭受生命危险。

安全信息



禁止



强制



- 请不要在夜晚或雷雨天气使用本产品,恶劣的天气环境有可能导致遥控设备失灵。
- 请不要在能见度有限的情况下使用本产品。
- 请不要在雨雪或有水的地方使用本产品。如果有液体进入到系统内部,可能会导致运行不稳定或失灵。
- 信号干扰可能导致设备失控。为保证您和他人的安全,请不要在以下地点使用本产品:
 - 1、通信基站附近或其他无线电活跃的地方
 - 2、人多的地方或道路附近
 - 3、水域附近
 - 4、高压电线或通信广播天线附近
- 当您感到疲倦、不舒服,或在摄入酒精或服食导致麻醉或兴奋的药物后,不要操作本产品。否则可能对自己或他人造成严重的伤害。
- 2.4GHz无线电波段完全不同于之前所使用的低频无线电波段。使用时请确保模型产品在您的视线范围内,大的障碍物将会阻断无线电频率信号从而导致遥控失灵模型失控。
- 在操作或使用模型后,请勿触摸任何可能发热的部位,如电池、电机等。这些部件可能非常热,容易造成严重的烧伤。



- 遥控设备使用不恰当可能导致操作者或他人严重受伤,甚至死亡。为保证您和设备的安全,请仔细阅读使用说明书并按照要求进行操作。
- 使用前必须确保本产品与模型安装正确,否则可能导致模型发生严重损坏。
- 关闭时,请务必先关闭接收机电源,然后关闭发射机。如果关闭发射机电源时接收机仍然在工作,将有可能导致遥控设备失控或者引擎继续工作而引发事故。
- 操控时,请先确认模型所有舵机的动作方向与操控方向一致。如果不一致,请调整好正确的方向。
- 当遥控距离较远时,有发生失控的可能,请适当缩短遥控距离。

产品介绍

“攀登者无所不能，所向披靡。这辆车像狗一样忠诚，像骡子一样强壮，也像羊一样灵敏；始终背负着额定载重翻倍的货物，勇往直前。”

——普利策奖获得者著名战地记者 厄尼·派尔

攀登者在上世纪 40 年代首次投入使用时，不是当时战场上唯一的轻型越野车，也不是最令人眼前一亮的军用四驱车，更没有使用尖端技术。但攀登者确实引发了变革——既能通过各种极端地形，还依然结实耐用、用途多变，因此一直深受全球广大士兵爱戴。

为了再现传奇，重获玩家对攀登者的热爱，ROCHOBBY 再次发力，经历反复测试和升级，为您呈现这款独一无二的 1/12 模型。

虽然缩小到 1/12，但这款攀登者传承了 1/6 版本的精髓，在细节和工艺上完全不亚于前作：依旧采用仿真硬壳，移印工艺涂装，精美别致；真玻璃后视镜、微缩仪表盘、天然橡胶像真轮胎，细节丰富；可活动零件包括车尾油箱、铲子、斧头、引擎盖、挡风车窗和车篷支架，乐趣满满。

1/12 攀登者带来全新的体验。更多细节——例如真实帆布质感的座椅；后排座椅可以像真车一样收纳折叠，两侧杂物箱也可以打开；轮胎进一步优化细节，追加浮雕文字。更加仿真——底盘采用真实比例梯形大梁，钢板弹簧搭配避震器，差速器偏置，还原程度不输静态模型。更加多变——灯光效果（转向联动灯、大灯、防空灯、刹车灯）。此外，除了让人爱不释手的车身设计，其 2.4GHz ANT 自动跳频数字系统遥控器配置了“初学者模式”和“攀爬模式”，无论是新手还是资深玩家，上手操作更加安全与智能；加上遗忘提醒、低电提醒和电机过载保护功能，在保持功能丰富、完整的同时，周到细节为模型车起到保驾护航的作用。

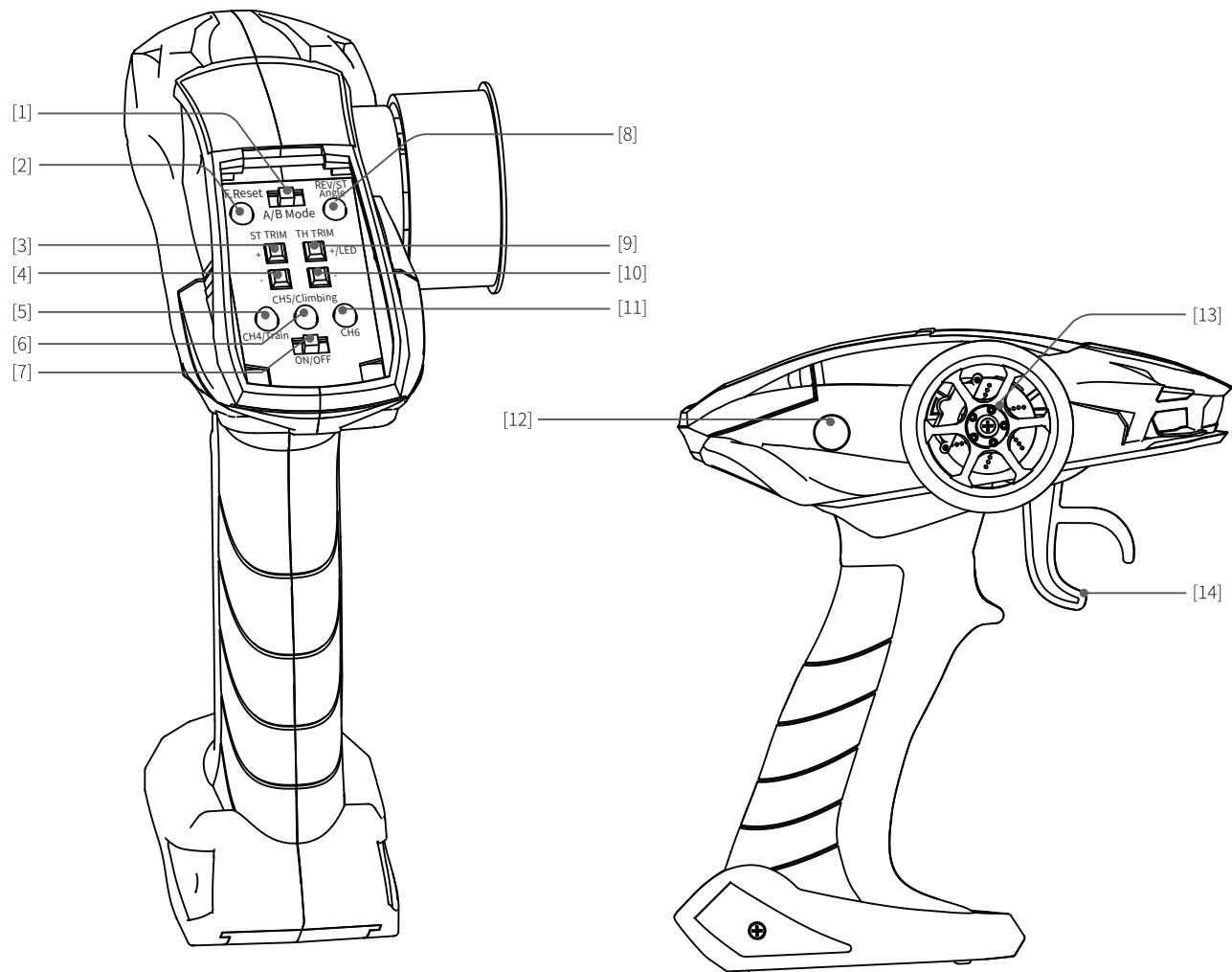
更小，更精巧。1941 攀登者，传奇不朽！

特点：

- 像真比例 4 轮驱动模型车，包装内含遥控器、接收机和电池；
- 橄榄绿涂装完成品，精美移印标识；
- 细节逼真，包括帆布座椅、后视镜、仪表盘、钢板弹簧、橡胶轮胎以及梯形金属大梁；
- 众多可活动零件与功能，如后排座椅、斧头、铲子、两侧杂物箱、挡风车窗、同步转向方向盘和可拆卸车尾油箱；
- 完美匹配 1/12 模型士兵；
- 内置多达 7 处 LED 灯，夜行刷街更自在；
- 可选升级件（车篷、机关枪和拖斗）乐趣无穷。

HT-TX02 是一款使用最新自主研发的 2.4GHz 自动跳频数字系统的简版 4 通道发射机，外观采用跑车元素彰显速度、激情和力量，该款发射机还具备初学者模式方便入门玩家使用。

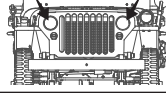
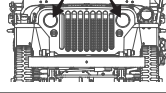
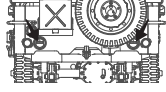
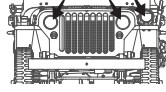
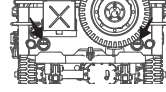
遥控器说明



[1]	A/B模式切换键	[8]	反向按键 A模式/转向角度限位 B模式
[2]	复位按键 (F.Reset) A模式	[9]	油门微调+ (TH TRIM+) A模式/灯控切换1 B模式
[3]	转向微调+ (ST TRIM+) A模式	[10]	油门微调- (TH TRIM-) A模式/灯控切换2 B模式
[4]	转向微调- (ST TRIM-) A模式	[11]	通道6(预留)
[5]	初学者模式 (Train) B模式	[12]	换挡切换键
[6]	攀爬模式 (Climbing) B模式	[13]	转向方向盘
[7]	电源开关	[14]	油门扣机

A/B 模式功能拨动开关		
F.Reset	在使用时错乱设置, 调不回正常状态, 可以使用Factory.Reset功能	确保模式功能拨动开关在A模式下, 扭住方向盘左或右, 同时单击F.Reset按键, 在两声哔响后, 表示已完成出厂设置。
REV	在更换转向舵机后, 出现反向	确保模式功能拨动开关在A模式下, 扭住方向盘左或右, 同时单击REV按键, 在哔响后, 表示已完成转向舵机反向设置。
	在更换电机后, 出现反向	确保模式功能拨动开关在A模式下, 拉或推住油门, 同时单击REV按键, 在哔响后, 表示已完成电机反向设置。
	调整30/50/100%转向幅度	确保模式功能拨动开关在B模式下, 单击ST Angle按键, 在一声哔响后, 表示已完成设置30%转向幅度。再单击ST Angle按键, 会听到哔响两声, 表示已完成设置50%转向幅度。再单击ST Angle按键, 会听到哔响三声, 表示已完成设置100%转向幅度。再单击为循环到一声哔响, 表示已完成设置30%转向幅度。
ST TRIM	当转向中位不正中	确保模式功能拨动开关在A模式下, 按下ST TRIM+或-按键可进行转向中位微调。每单击按键都会响一声。当到达最大值及最小值时, 会出现一声长哔响声。当到达中位值时会发出双哔响声。
TH TRIM	当油门中位不正中	确保模式功能拨动开关在A模式下, 按下TH TRIM+或-按键可进行油门中位微调。每单击按键都会响一声。当到达最大值及最小值时, 会出现一声长哔响声, 当到达中位值时会发出双哔响声。
LED	设置灯效模式	确保模式功能拨动开关在B模式下, 单击LED按键, 在一声哔响后, 前大灯亮。再单击LED按键, 两声哔响后, 前大灯高亮。继续再单击LED按键, 三声哔响后, 防空灯亮。
Train	调置初学训练模式	确保模式功能拨动开关在B模式下, 单击Train按键, 在一声哔响后, 进入初学训练模式。当前油门速度限制在50%, 再按一下, 听到哔响两声后, 恢复正常状态。
Climbing	调置攀爬模式	确保模式功能拨动开关在B模式下, 单击Climbing按键, 在一声哔响后, 进入攀爬模式, 当在放开油门时, 刹车功能启动。在上陡坡时不易倒车, 再按一下, 听到哔响两声后, 恢复正常状态。

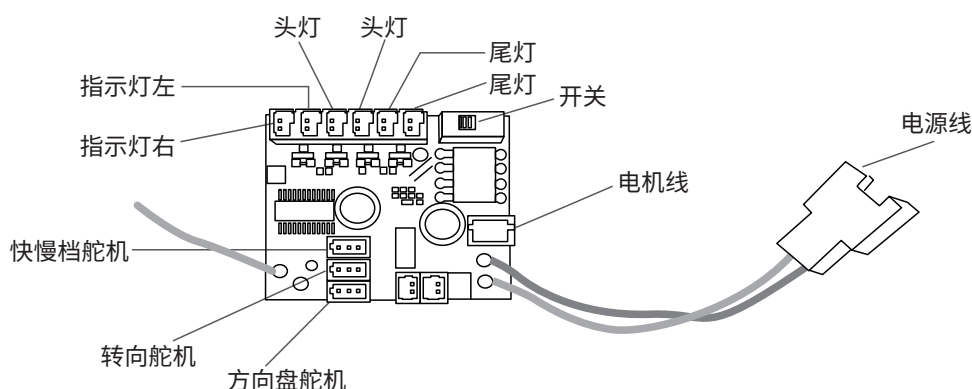
发射器: 遗忘提醒	发射器在未有收到任何命令下, 10分钟后会发出报警声, 2分钟后进入休眠
发射器: 对频提醒	当发射器没有匹配接收器时, 发射器的指示灯不停快闪亮
发射器: 没有对频+低电提醒4.5V	发射器的指示灯慢闪, 及发出声响
发射器: 低电提醒4.5V	发射器的指示灯慢闪
车:对频提醒	车前灯不断闪亮
车:低电警报6.3-6.4V	所有灯不短闪亮, 转向及油门不受控
车:遗忘提醒	车辆未收到任何信号, 10分钟后会前后跳闪灯, 2分钟后进入休眠

				按次数							
按钮	车灯位置	功能	开机默认 关闭	I	II	III	IV	V	控制方式	备注	
LED1#	车头部灯	前灯常亮		•	关闭	关闭	关闭	关闭			
		前灯高光常亮		关闭	•	•	关闭	关闭			
	车尾部灯	尾灯常亮		•	•	•	关闭	关闭			
		尾灯高光常亮		○	○	○	关闭	关闭	油门联动控制	松油门亮0.5秒, 如果0.5秒以内有加油动作则不再高亮。刹车操作时尾灯高亮, 模拟刹车灯效果	
		倒车灯		○	○	○	关闭	关闭	油门联动控制	倒车操作时倒车灯亮	
	雾灯	开启常亮		关闭	关闭	•	•	关闭			

LED2#	转向灯			I	II	关闭					
		左转灯		○		关闭			方向联动控制		
		右转灯		○		关闭			方向联动控制		
		左右转双闪			•	关闭					

接收机概览








注意：开始操作前，请按照本章的顺序和指引安装电池、连接设备。



使用前准备

开始操作前，请按照本章的顺序和指引安装电池、连接设备。

★ 发射机电池安装

 危险	仅使用厂家指定的电池。
 危险	请勿打开、拆卸或自行维修电池。
 危险	请勿挤压、刺穿或接触电池的金属端子。
 危险	请勿将电池置于高温环境或液体中。
 危险	如果不按照说明方法操作，可能导致操作者或他人遭受较大伤害。
 危险	请将电池存放在干燥阴凉的环境中。
 危险	如果电池损坏，请立即停止使用。

电池类型使用：AAA电池

请按照以下步骤安装发射机电池：

1. 打开电池仓盖。
2. 将 4 颗电量充足的 AAA 电池装入电池仓内，确保电池上的金属端子与电池仓内的金属端子接触。
3. 盖好电池仓盖。

低电量报警：当电量低于4.2V时，面板上的LED慢闪报警提示

操作指引

准备操作完成后,您可以按照本章指引开始使用本产品。

1、自动对码 (发射机和接收机在出厂前已对码成功。)

如需更换其他的发射机或接收机,请按照如下步骤进行对码:

1. 发射器电源打开,对码模式,灯不停闪亮;
2. 接收板电源打开,前车灯不停闪亮,进入对码模式;
3. 当对码成功,发射机灯全亮,车上面的灯全部关闭;

注意:对码时请先操作发射机进入对码状态,再操作接收机进入对码状态。

2、关机

请按照以下步骤关机:

1. 断开接收机电源。
2. 将开关拨到 [OFF] 位置,使发射机关闭。



危险

关闭时,请务必先关闭接收机电源,再关闭发射机,否则可能导致模型损坏、人员受伤。

产品规格

1、发射机规格

产品型号	HT-TX02
适配模型	车
无线频率	2.4GHz
发射功率	<20dBm
无线协议	ANT

2、发射机规格

遥控距离	>100m(空旷无干扰地面距离)
通道分辨率	256 级
电池	6V DC 1.5AAA*4
充电接口	无
续航时间	依电池类型
低电压报警	<4.45V
天线类型	内置单天线
数据接口	无
温度范围	-10°C ~ +60°C
湿度范围	20-95%
在线更新	无
遥控器颜色	黑
外形尺寸	长 : 152mm 宽 : 75mm 高 : 167mm
机身重量	160g
认证	CE, FCC ID: 2AUBX-HT-TX02

油门扳机位置

油门扳机位置

中位



前进方向的顶端



后退方向的顶端

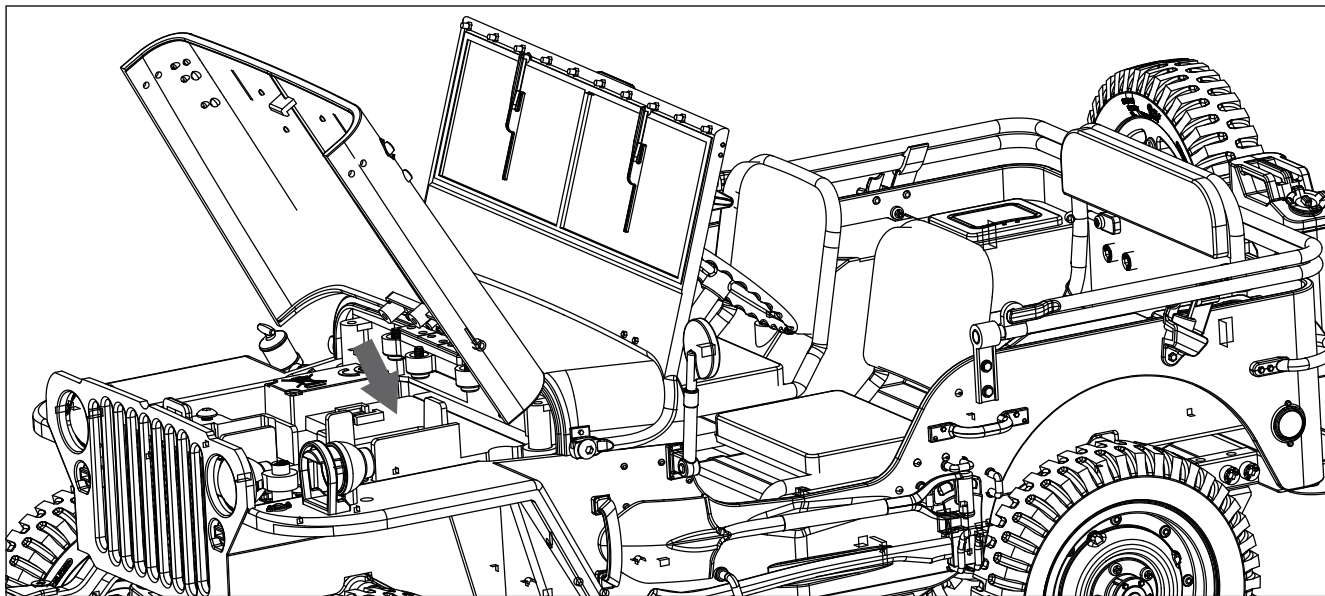


车辆设置

连接电池

步骤 1: 将引擎盖打开。

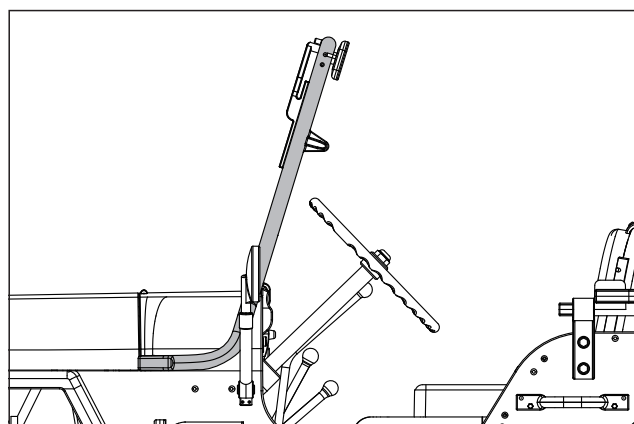
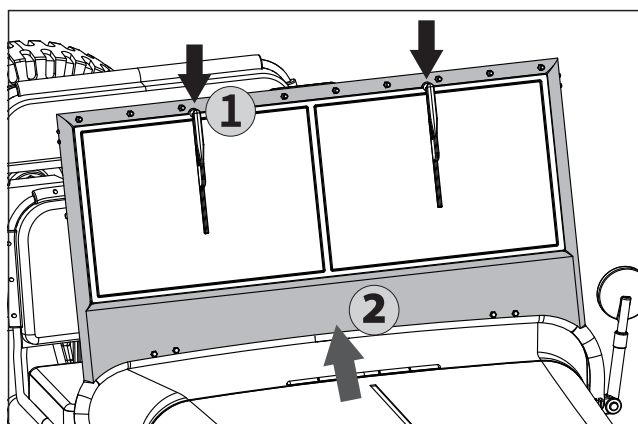
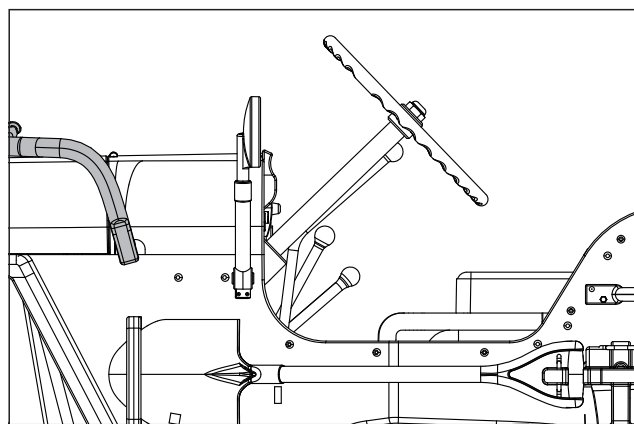
步骤 2: 将电池放置在电池盒中,然后连接电池插头。



安装雨刷, 收放挡风玻璃窗框

步骤 1: 雨刷按入 1 处孔位。

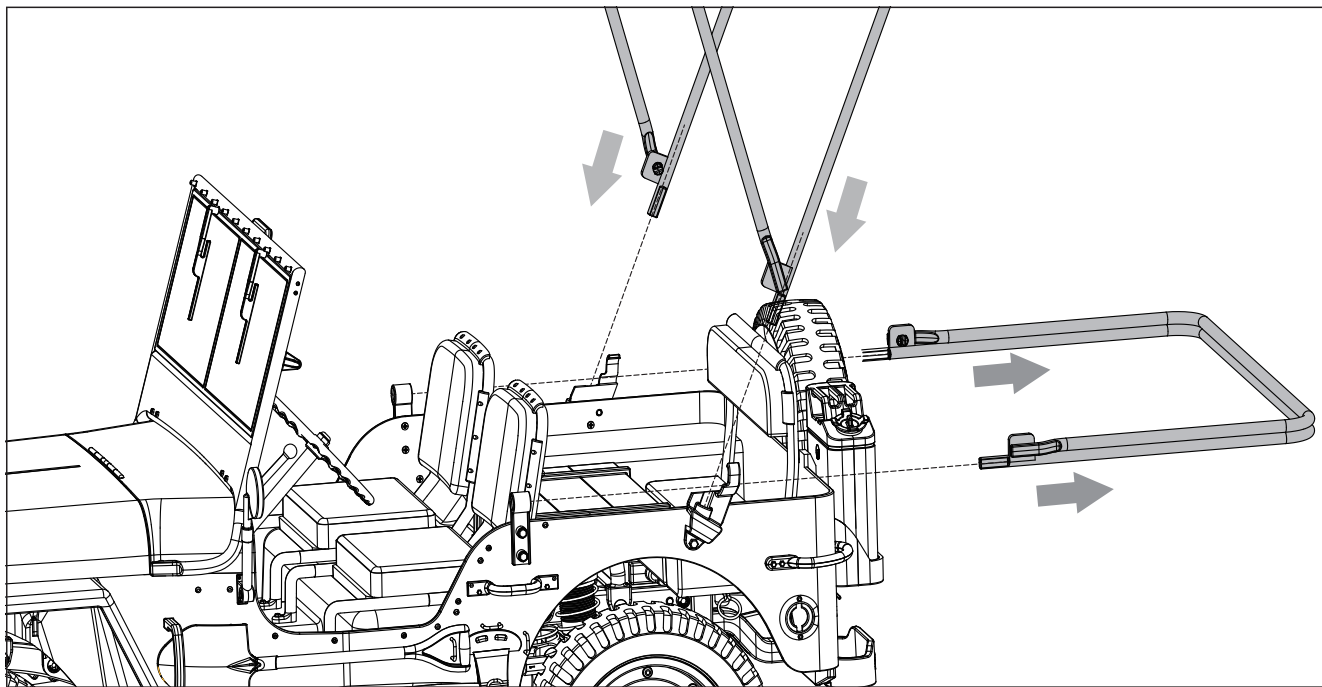
步骤 2: 轻轻按住挡风玻璃的中心, 将组件弯曲并扣在引擎盖上 2 处孔位。



展开帆布车篷支架

步骤 1: 拔出帆布车篷支架。

步骤 2: 将帆布车篷支架插入对应孔位中。

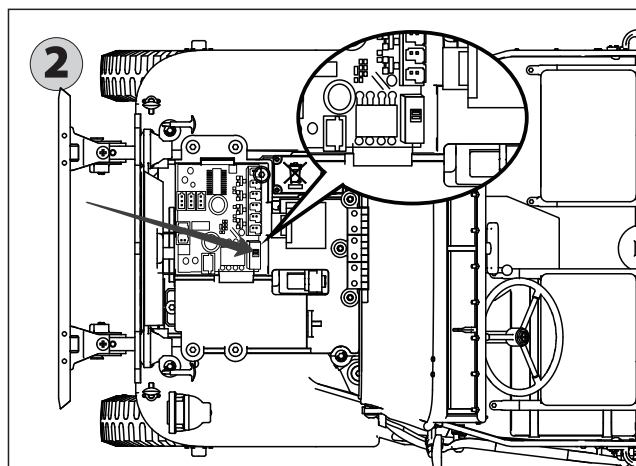
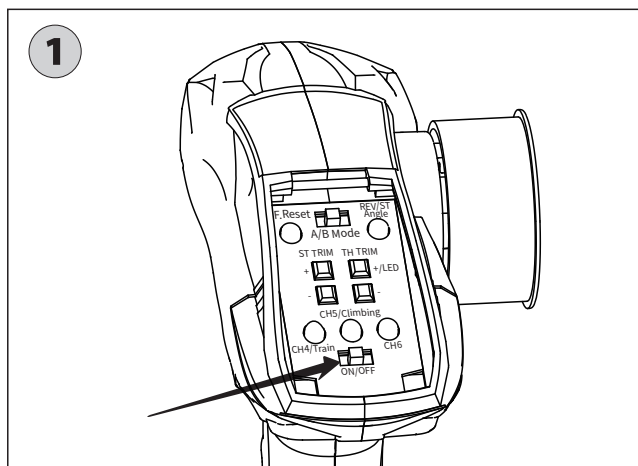


车辆操作

步骤 1: 打开发射器, 发射器前灯会闪亮, 进入对频模式。

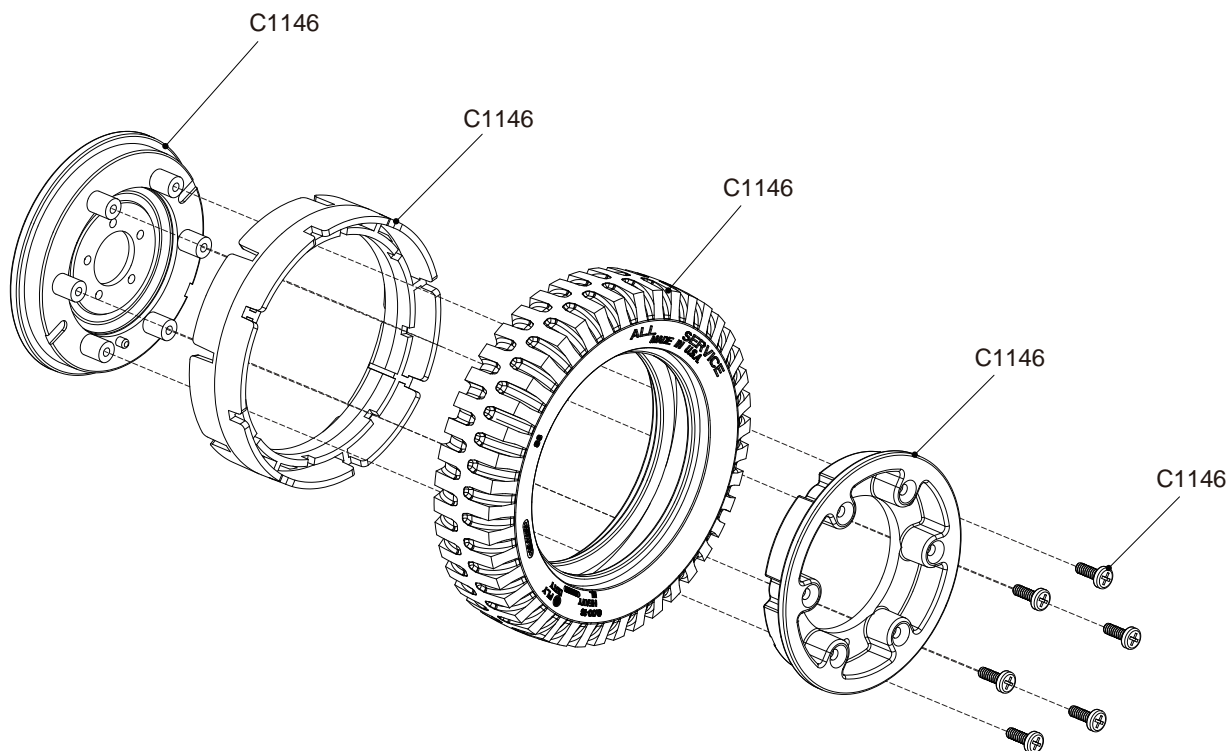
步骤 2: 打开接收器开关, 车前灯会闪亮, 进入对频模式。

步骤 3: 当发射器, 接收器对上频成功时, 发射器前灯会长亮, 车前灯会关闭。



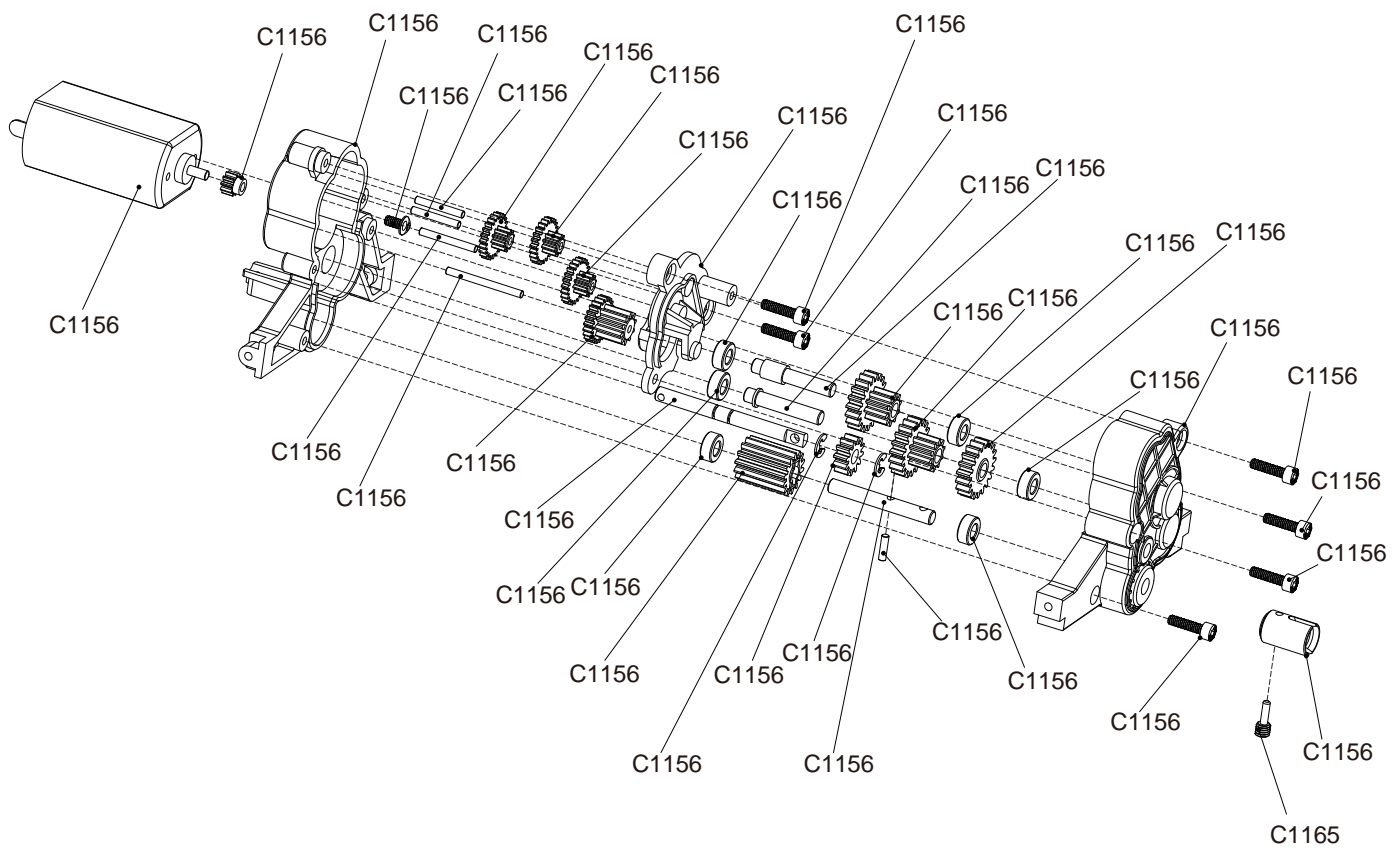
(EN) WHEELS
(FR) ROUES

(DE) Räder
(CN) 车轮



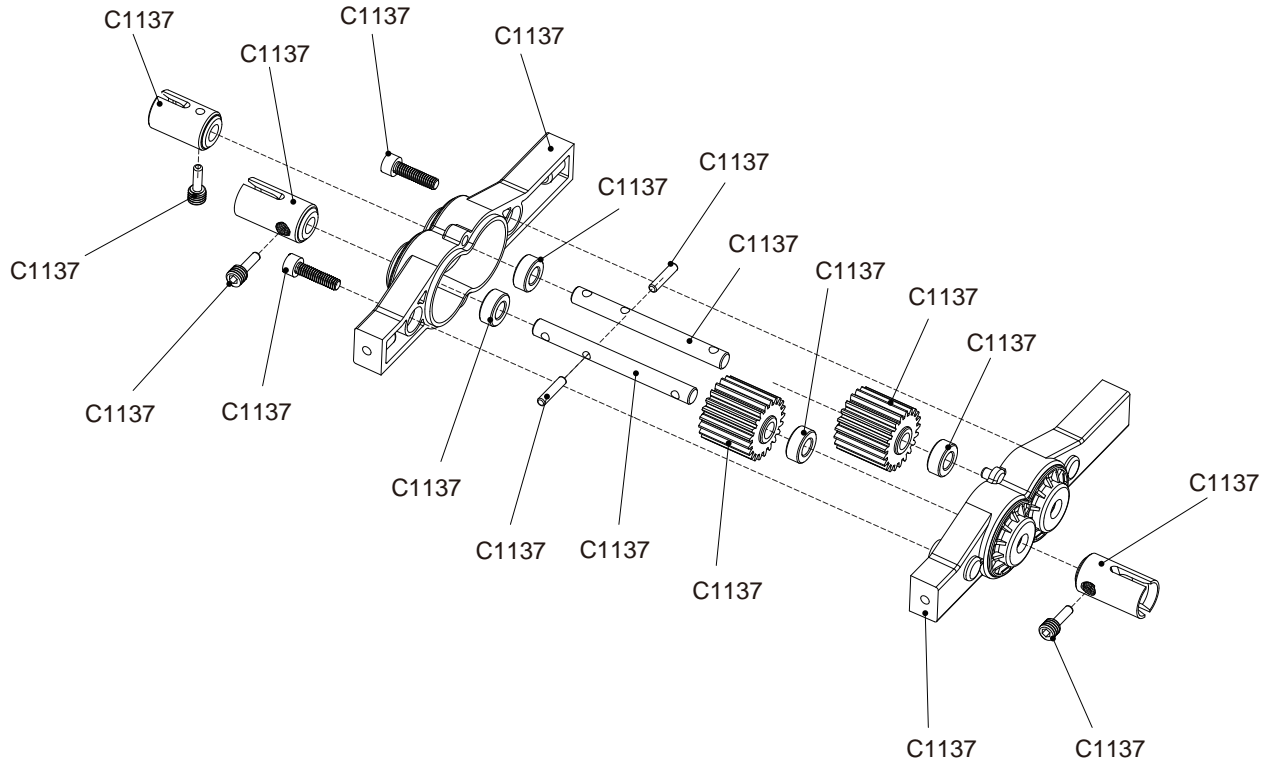
(EN) TRANSMISSION
(FR) TRANSMISSION

(DE) Übersetzung
(CN) 变速箱



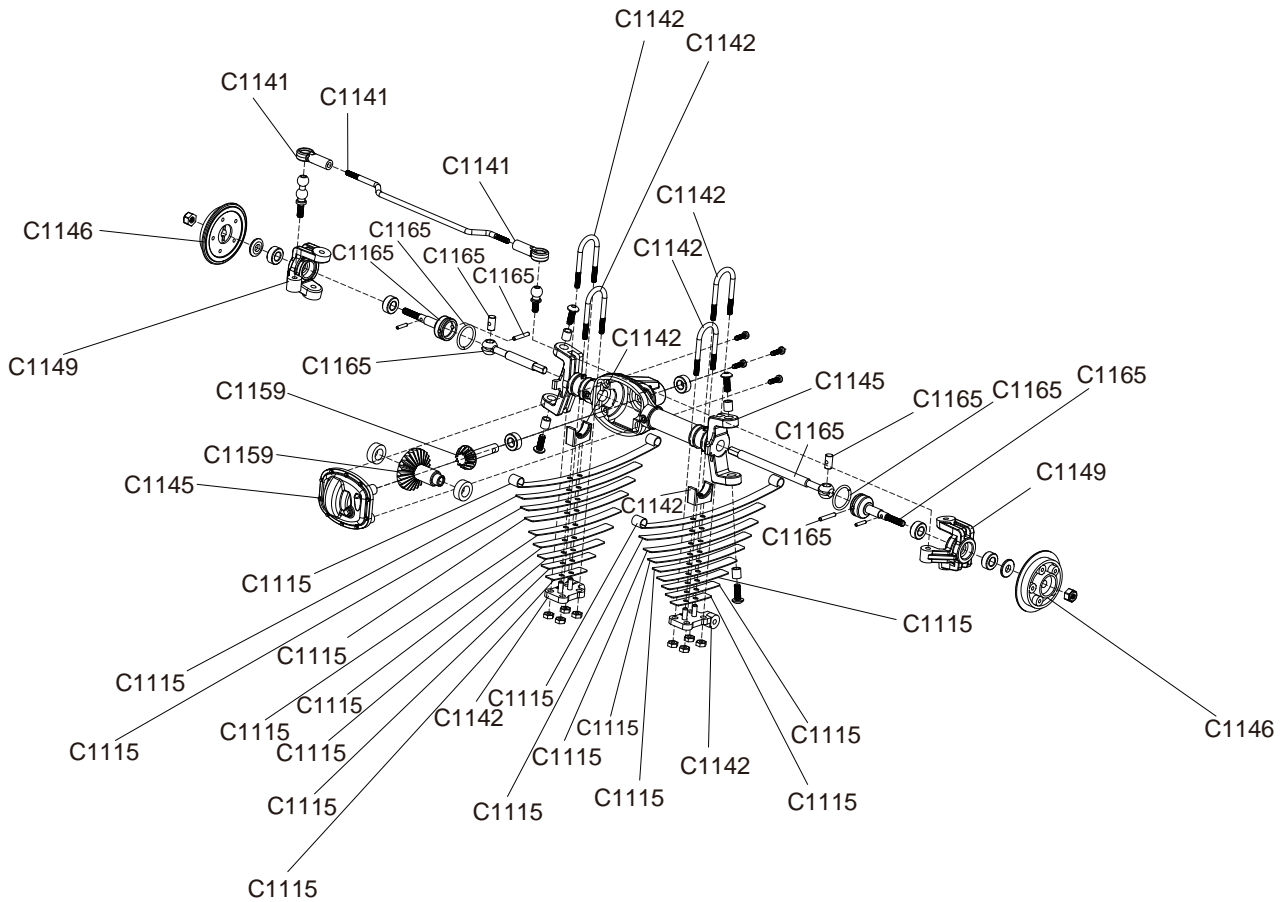
(EN) TRANSFER CASE
(FR) BOÎTE DE TRANSFERT

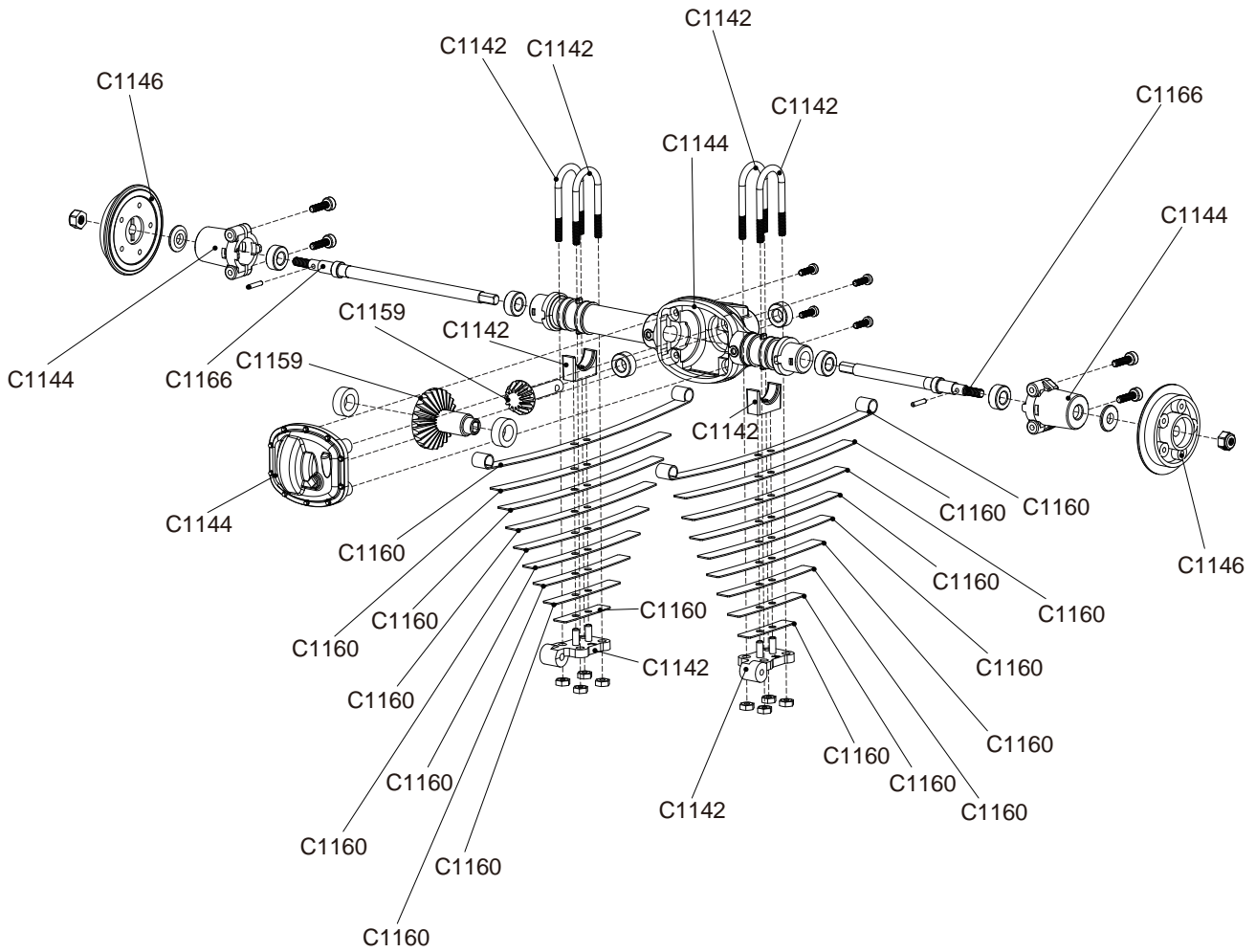
(DE) Übertragung
(CN) 分动箱



(EN) FRONT AXLE ASSEMBLY
(FR) ENSEMBLE ESSIEU AVANT

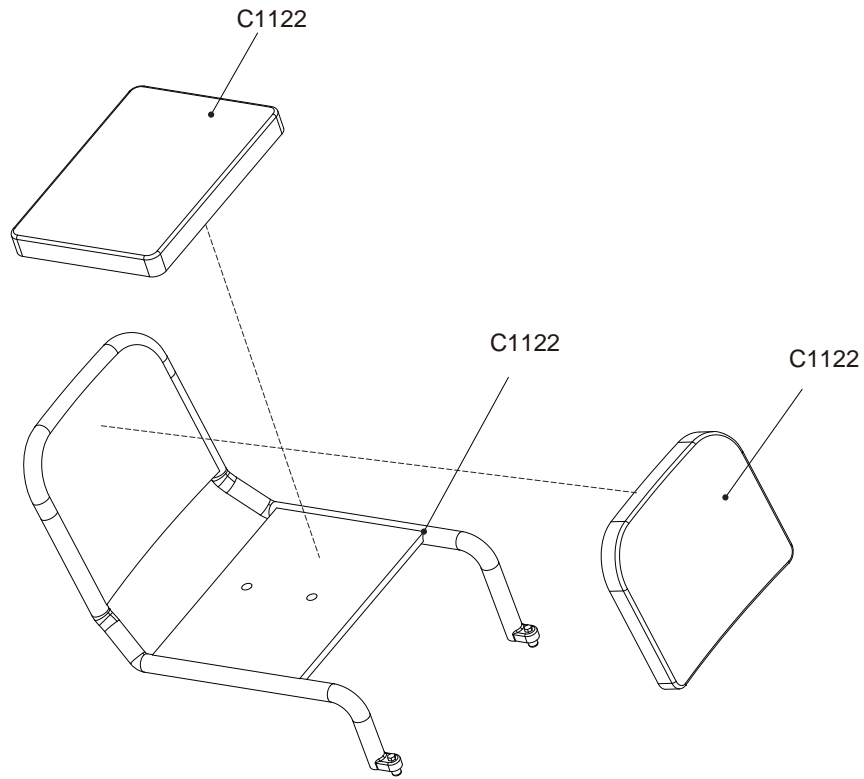
(DE) Vordere Achse
(CN) 前桥总成





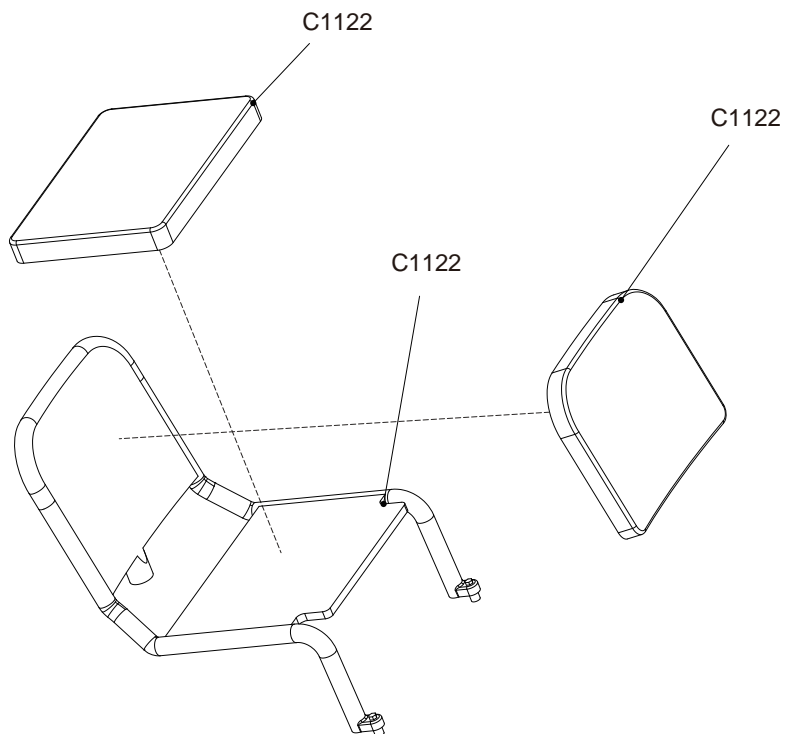
(EN) DRIVER SEAT
(FR) SIÈGE CONDUCTEUR

(DE) Fahrersitz
(CN) 驾驶员座椅



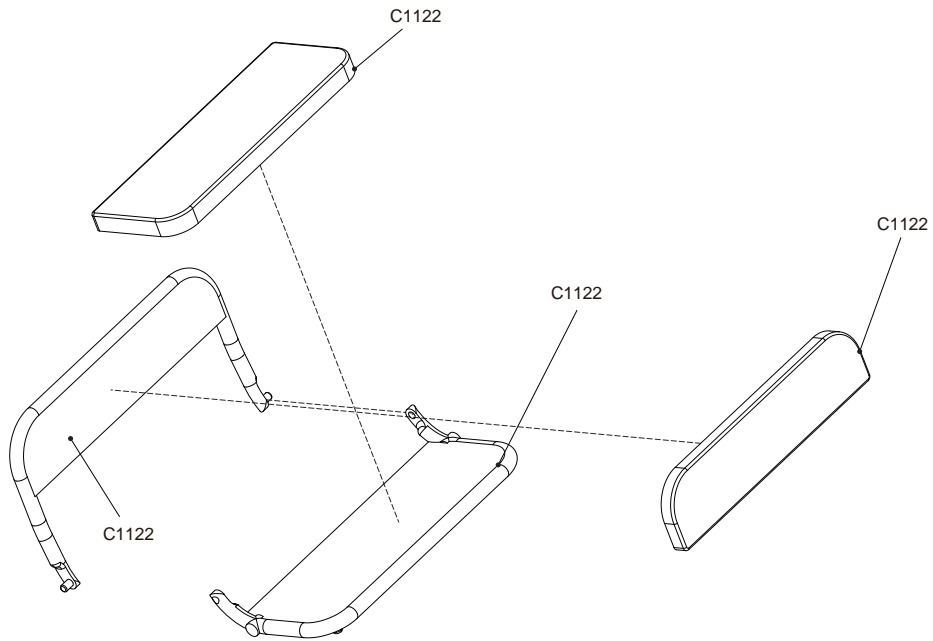
(EN) FRONT PASSENGER SEAT
(FR) SIÈGE AVANT DROIT

(DE) Beifahrersitz
(CN) 副驾驶座椅



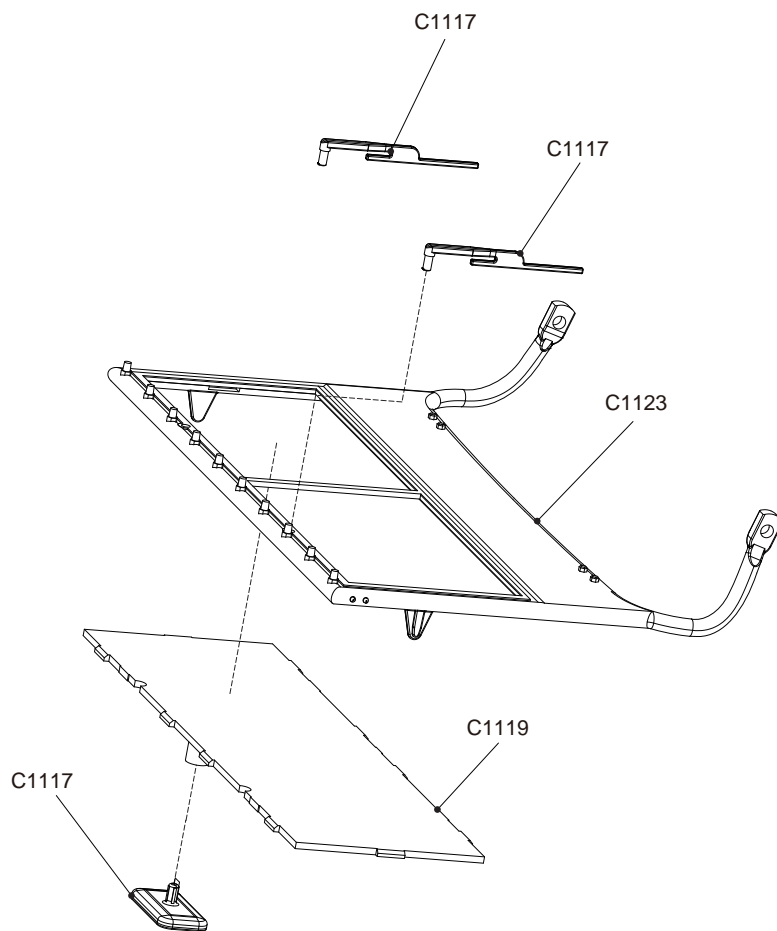
(EN) BACK SEAT
(FR) BANQUETTE ARRIÈRE

(DE) Rücksitze
(CN) 后排座椅



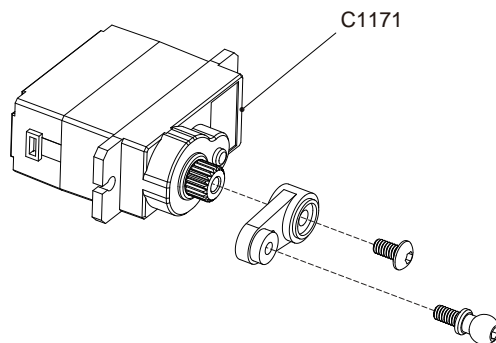
(EN) WINDSHIELD
(FR) PARE-BRISE

(DE) Windschutzscheibe
(CN) 风挡



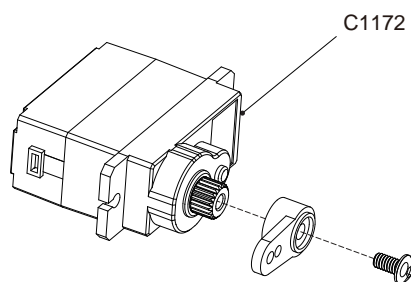
(EN) STEERING GEAR
(FR) SERVO DE DIRECTION

(DE) Lenkgetriebe
(CN) 转向舵机



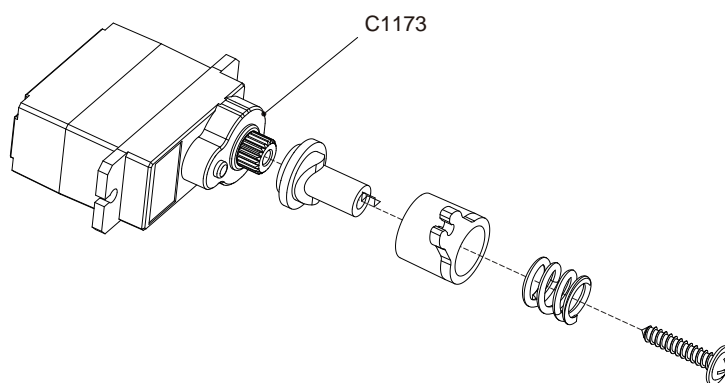
(EN) STEERING WHEEL STEERING GEAR
(FR) SERVO DE VOLANT

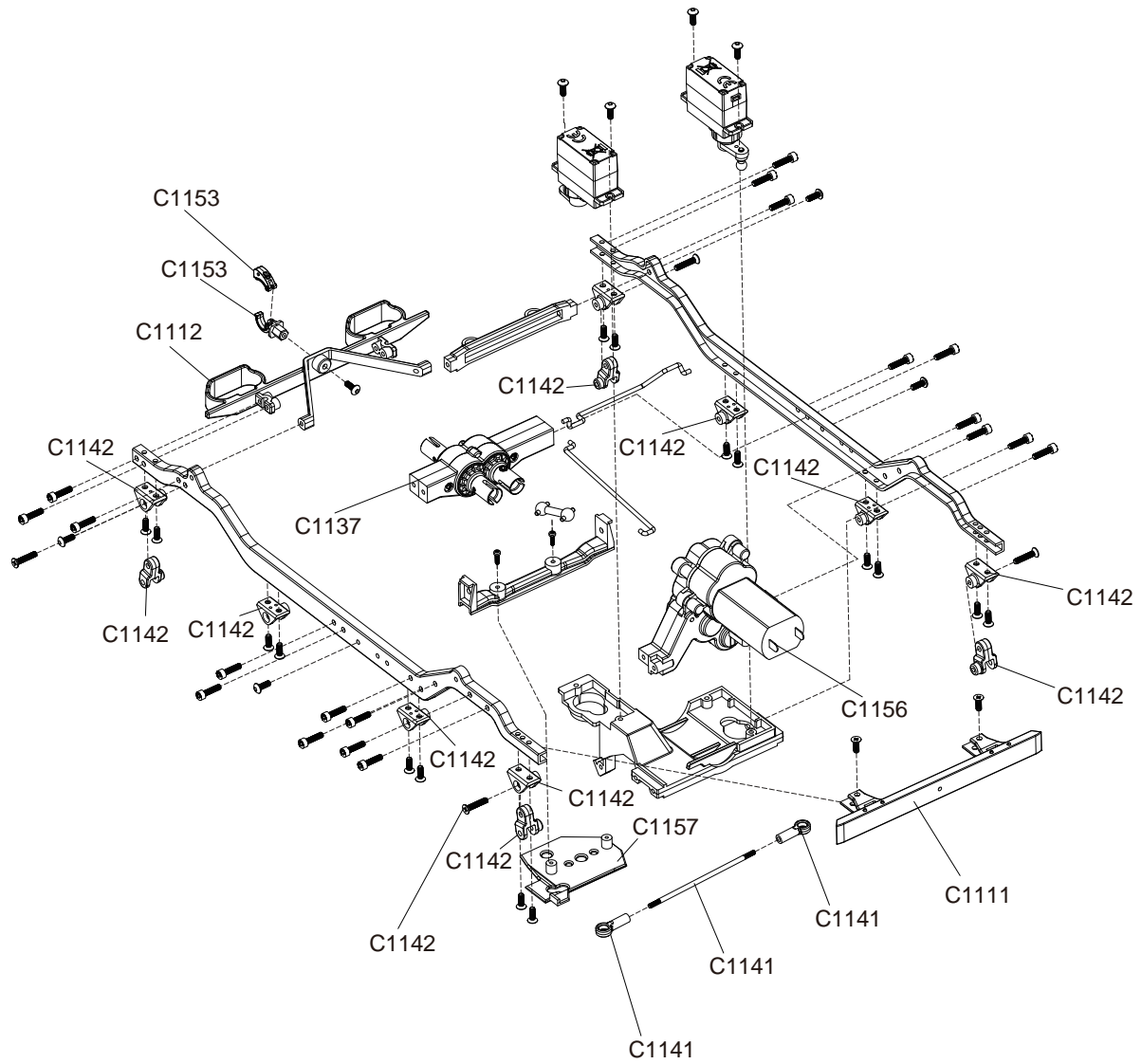
(DE) Lenkradgestänge Lenkgetriebe
(CN) 方向盘联动舵机

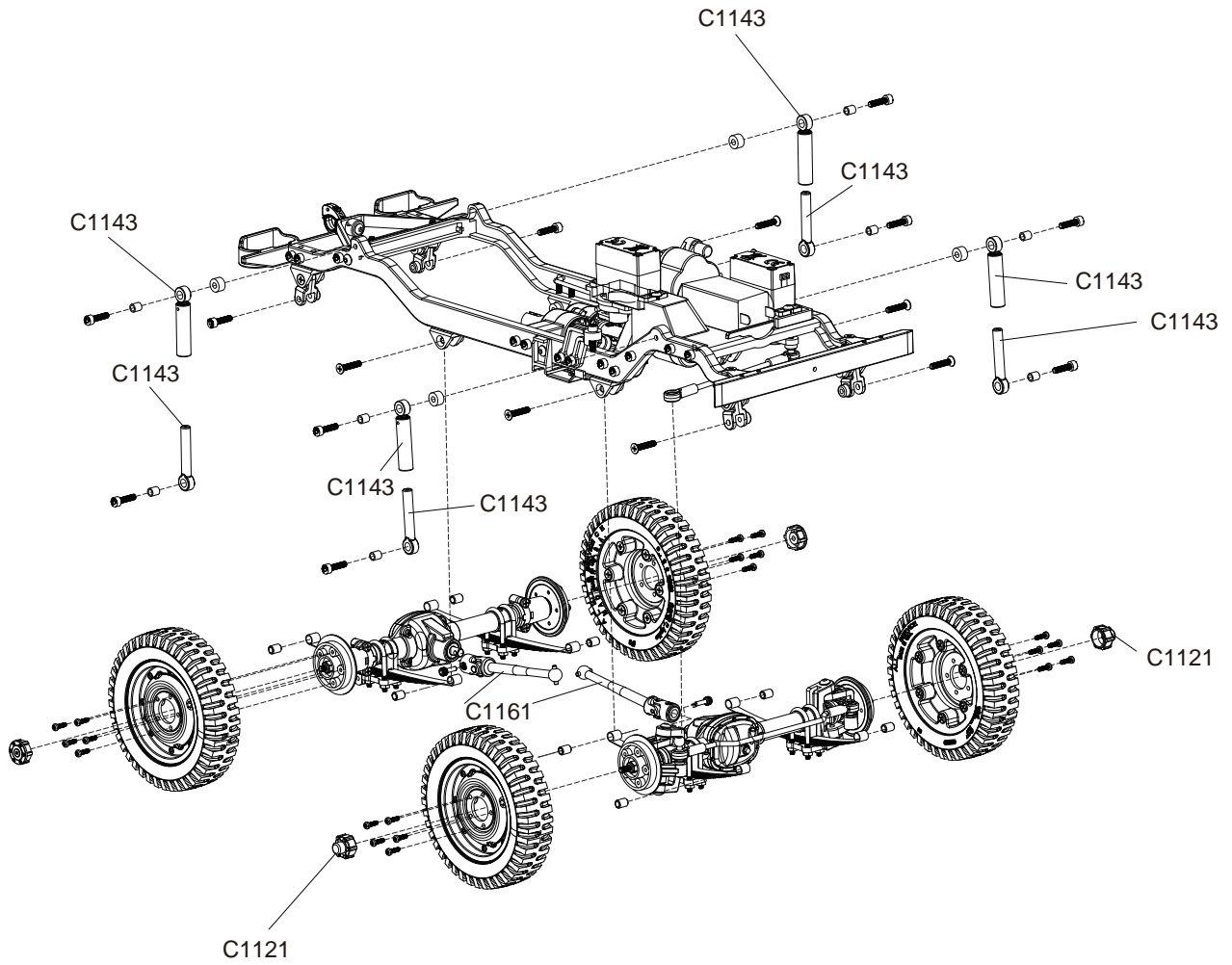


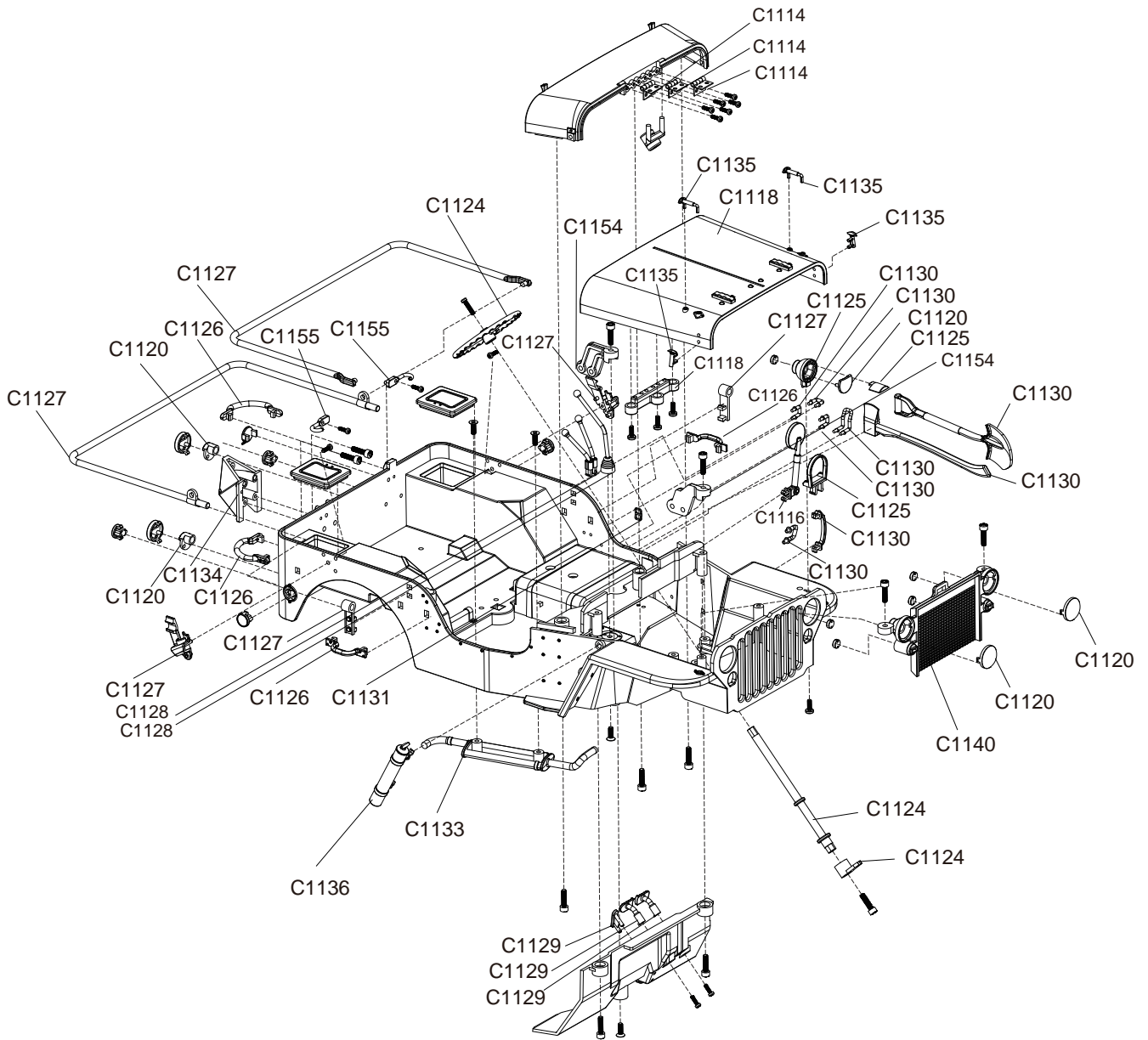
(EN) SHIFT STEERING GEAR
(FR) SERVO DE CHANGEMENT DE RAPPORT

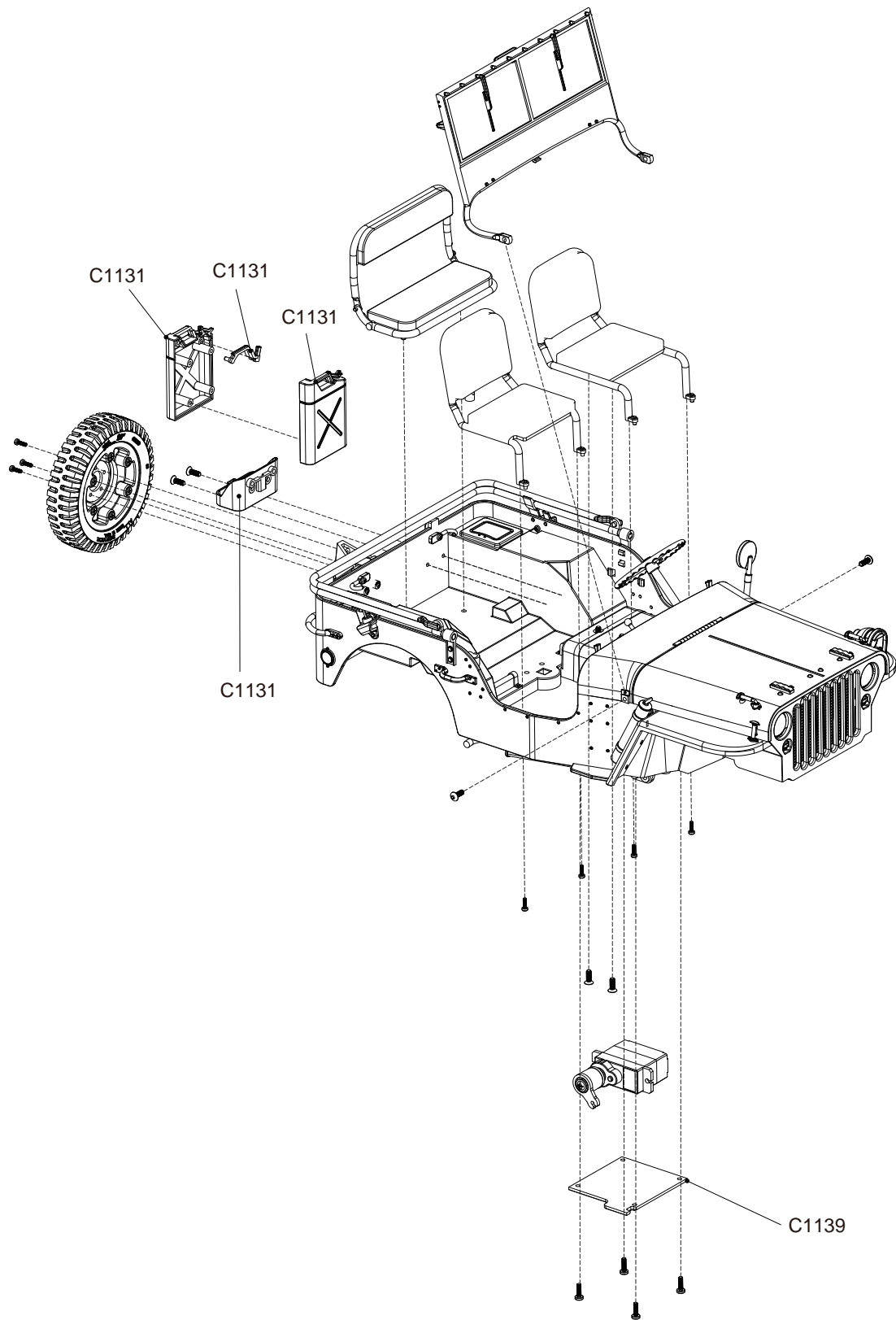
(DE) Lenkgetriebe schalten
(CN) 换挡舵机

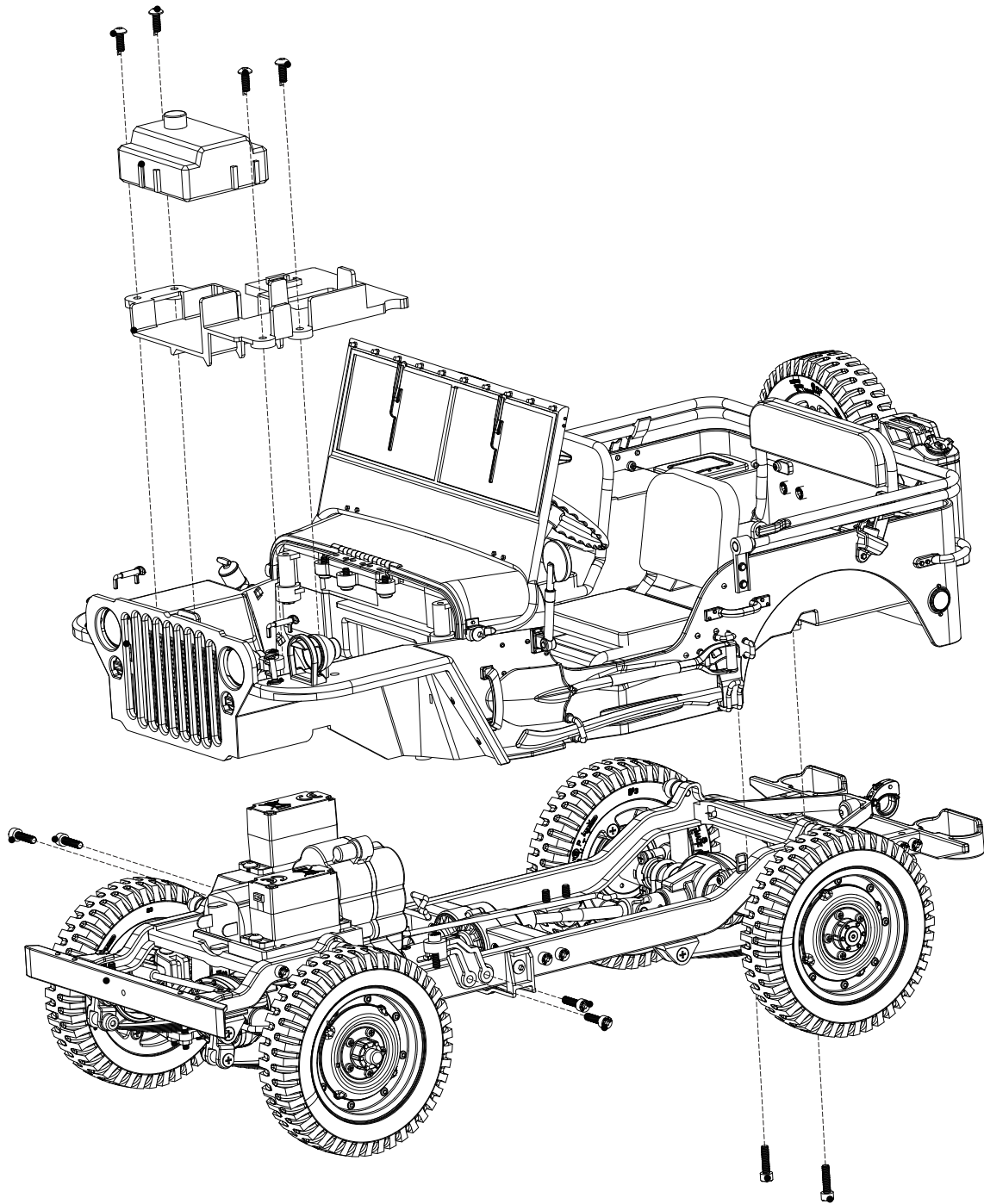












"S" for spare part

"O" for optional part

PART NUMBER	PRODUCT DESCRIPTION	S/O
C1110	1:12 1941 SCALER MB TYRES	S
C1111	1:12 1941 SCALER MB FRONT BUMPER	S
C1112	1:12 1941 SCALER MB REAR BUMPER	S
C1113	1:12 1941 SCALER MB GIRDER	S
C1114	MINI HINGE	S
C1115	1:12 1941 SCALER MB FRONT AUTOMOBILE LEAF SPRINGS	S
C1116	1:12 1941 SCALER MB MIRRORS	S
C1117	1:12 1941 SCALER MB WIPER	S
C1118	1:12 1941 SCALER MB HOOD	S
C1119	1:12 1941 SCALER MB WINDOWS	S
C1120	1:12 1941 SCALER MB LENS SET	S
C1121	1:12 1941 SCALER MB WHEEL COVER	S
C1122	1:12 1941 SCALER MB SEAT ASSEMBLY	S
C1123	1:12 1941 SCALER MB WINDOW FRAME	S
C1124	1:12 1941 SCALER MB STEERING WHEEL SET	S
C1125	1:12 1941 SCALER MB SPOTLIGHT SET	S
C1126	1:12 1941 SCALER MB HANDLE SET	S
C1127	1:12 1941 SCALER MB WIPER BRACKET SET	S
C1128	1:12 1941 SCALER MB GAG LEVER POST SET	S
C1129	1:12 1941 SCALER MB PEDAL SET	S
C1130	1:12 1941 SCALER MB AXE AND SHOVEL SET	S
C1131	1:12 1941 SCALER MB PORTABLE FUEL TANK KIT PACK	S
C1132	1:12 1941 SCALER MB INSTRUMENT PANEL	S
C1133	1:12 1941 SCALER MB EXHAUST PIPE	S
C1134	1:12 1941 SCALER MB REPLACEMENT WHEEL MOUNT	S
C1135	1:12 1941 SCALER MB HOOD LOCK	S
C1136	1:12 1941 SCALER MB COMPRESSOR GUN	S
C1137	1:12 CENTER TRANSMISSION GEAR BOX ASSEMBLY	S
C1138	1:12 1941 SCALER MB 4mm BALL CAP	S
C1139	1:12 1941 SCALER MB SERVO COVER	S
C1140	1:12 1941 SCALER MB EXHAUSTION PLATE	S
C1141	1:12 1941 SCALER MB STEERING LINK SET	S
C1142	1:12 1941 SCALER MB SHOCK MOUNT	S
C1143	1:12 1941 SCALER MB SHOCK	S
C1144	1:12 1941 SCALER MB REAR AXLE PLASTIC PARTS	S
C1145	1:12 1941 SCALER MB FRONT AXLE PLASTIC PARTS	S
C1146	1:12 1941 SCALER MB WHEELS SET	S
C1147	1:12 1941 SCALER MB TRANSMISSION GEAR BOX ASSEMBLY	S
C1148	1:12 1941 SCALER MB MAIN GEAR BOX SET	S
C1149	1:12 1941 SCALER MB STEERING C HUB PARTS	S
C1150	1:12 1941 SCALER MB SERVO HORN SET	S
C1151	1:12 1941 SCALER MB PINION GEAR	S
C1152	1:12 1941 SCALER MB BUSH	S
C1153	1:12 1941 SCALER MB TRAILER HOOK	S
C1154	1:12 1941 SCALER MB BODY MOUNT	S
C1155	1:12 1941 SCALER MB REAR SEAT LOCK	S
C1156	1:12 MAIN GEAR BOX ASSEMBLY	S
C1157	1:12 1941 SCALER MB SKID PLATE	S

"S" for spare part

"O" for optional part

PART NUMBER	PRODUCT DESCRIPTION	S/O
C1158	1:12 1941 SCALER MB DIFFERENTIAL SET	O
C1159	1:12 1941 SCALER MB GEAR SET	S
C1160	1:12 1941 SCALER MB REAR AUTOMOBILE LEAF SPRINGS	S
C1161	1:12 1941 SCALER MB CVD TRANSMISSION SHAFT	S
C1162	1:12 RC CAR 180 MOTOR	S
C1163	1:12 1941 SCALER MB SCREW	S
C1164	1:12 1941 SCALER MB SCREW NUT	S
C1165	1:12 1941 SCALER MB FRONT WHEELS CVD DRIVE SET	S
C1166	1:12 1941 SCALER MB REAR WHEELS SHAFT SET	S
C1167	1:12 1941 SCALER MB CANVAS TOP	O
C1168	HT-TX02 2.4G TRANSMITTER + SCALER RECEIVER SET	S
C1169	HT-TX02 2.4G TRANSMITTER	S
C1170	1:12 1941 SCALER MB RECEIVER	S
C1171	1:12 1941 SCALER MB STEERING SERVO	S
C1172	1:12 1941 SCALER MB STEERING WHEEL SERVO	S
C1173	1:12 1941 SCALER MB VARIABLE SPEED SERVO	S
C1174	1:12 1941 SCALER MB LED WIRE	S

"S" for spare part

"O" for optional part

PART NUMBER	PRODUCT DESCRIPTION	S/O
C1110	1:12 1941 SCALER MB - Reifen	S
C1111	1:12 1941 SCALER MB - Stossstange vorne	S
C1112	1:12 1941 SCALER MB - Stossstange hinten	S
C1113	1:12 1941 SCALER MB - Träger	S
C1114	1:12 1941 SCALER MB - Mini Scharnier	S
C1115	1:12 1941 SCALER MB - Blattfedern vorne	S
C1116	1:12 1941 SCALER MB - Spiegel	S
C1117	1:12 1941 SCALER MB - Wischer	S
C1118	1:12 1941 SCALER MB - Haube	S
C1119	1:12 1941 SCALER MB - Fenster	S
C1120	1:12 1941 SCALER MB - Scheinwerfer	S
C1121	1:12 1941 SCALER MB - Radabdeckung	S
C1122	1:12 1941 SCALER MB - Sitzmontage	S
C1123	1:12 1941 SCALER MB - Fensterrahmen	S
C1124	1:12 1941 SCALER MB - Lankradsatz	S
C1125	1:12 1941 SCALER MB - Scheinwerferset	S
C1126	1:12 1941 SCALER MB - Griff Set	S
C1127	1:12 1941 SCALER MB - Scheibenwischerhalter Set	S
C1128	1:12 1941 SCALER MB - Schalthebel Set	S
C1129	1:12 1941 SCALER MB - Pedalsatz	S
C1130	1:12 1941 SCALER MB - Axt und Schaufel Set	S
C1131	1:12 1941 SCALER MB - tragbarer Kraftstofftank	S
C1132	1:12 1941 SCALER MB - Instrumententafel	S
C1133	1:12 1941 SCALER MB - Auspuffrohr	S
C1134	1:12 1941 SCALER MB - Ersatzradhalterung	S
C1135	1:12 1941 SCALER MB - Haubenschloss	S
C1136	1:12 1941 SCALER MB - Kompressorkanone	S
C1137	1:12 1941 SCALER MB - Verteilergetriebe montiert	S
C1138	1:12 1941 SCALER MB - 4mm Wellenabdeckung	S
C1139	1:12 1941 SCALER MB - Servoabdeckung	S
C1140	1:12 1941 SCALER MB - Auspuffplatte	S
C1141	1:12 1941 SCALER MB - Lenkgestänge	S
C1142	1:12 1941 SCALER MB - Stossdämpferaufnahme	S
C1143	1:12 1941 SCALER MB - Stossdämpfer	S
C1144	1:12 1941 SCALER MB - Hinterachse Kunststoffteile	S
C1145	1:12 1941 SCALER MB - Vorderachse Kunststoffteile	S
C1146	1:12 1941 SCALER MB - Räder Set	S
C1147	1:12 1941 SCALER MB - Verteilergetriebegehäuse	S
C1148	1:12 1941 SCALER MB - Hauptgetriebegehäuse	S
C1149	1:12 1941 SCALER MB - Lenkung C-HUB Teile	S
C1150	1:12 1941 SCALER MB - Servohebel Set	S
C1151	1:12 1941 SCALER MB - Ritzel	S
C1152	1:12 1941 SCALER MB - Buchse	S
C1153	1:12 1941 SCALER MB - Anhängerkupplung	S
C1154	1:12 1941 SCALER MB - Karosseriehalter	S
C1155	1:12 1941 SCALER MB - Rücksitzverriegelung	S
C1156	1:12 1941 SCALER MB - Hauptgetriebe montiert	S
C1157	1:12 1941 SCALER MB - Unterbodenschutzplatte	S

"S" for spare part

"O" for optional part

PART NUMBER	PRODUCT DESCRIPTION	S/O
C1158	1:12 1941 SCALER MB - Differential Set	O
C1159	1:12 1941 SCALER MB - Getriebesatz	S
C1160	1:12 1941 SCALER MB - Blattfedern hinten	S
C1161	1:12 1941 SCALER MB - CVD Getriebewelle	S
C1162	1:12 1941 SCALER MB - 180er Motor	S
C1163	1:12 1941 SCALER MB - Schraube	S
C1164	1:12 1941 SCALER MB - Mutter	S
C1165	1:12 1941 SCALER MB - CVD Antriebssatz vorne	S
C1166	1:12 1941 SCALER MB - Hinterradachsen Set	S
C1167	1:12 1941 SCALER MB - Softtop Verdeck	O
C1168	1:12 1941 SCALER MB - 2.4GHz Sender + Empfänger	S
C1169	1:12 1941 SCALER MB - 2.4GHz Sender	S
C1170	1:12 1941 SCALER MB - 2.4GHz Empfänger	S
C1171	1:12 1941 SCALER MB - Lenkservo	S
C1172	1:12 1941 SCALER MB - Lenkradservo	S
C1173	1:12 1941 SCALER MB - Motorregler	S
C1174	1:12 1941 SCALER MB - LED-Anschlusskabel	S

"R" pour pièce de rechange

"O" pour pièce optionnelle

Référence	Désignation	R/O
C1110	1:12 1941 SCALER MB - Pneus	R
C1111	1:12 1941 SCALER MB - Pare-chocs avant	R
C1112	1:12 1941 SCALER MB - Pare-chocs arrière	R
C1113	1:12 1941 SCALER MB - Longeron	R
C1114	Mini-charnière	R
C1115	1:12 1941 SCALER MB - Ressorts à lames de suspension avant	R
C1116	1:12 1941 SCALER MB - Rétroviseurs	R
C1117	1:12 1941 SCALER MB - Essuie-glaces	R
C1118	1:12 1941 SCALER MB - Capot	R
C1119	1:12 1941 SCALER MB - Vitres	R
C1120	1:12 1941 SCALER MB - Jeu de vitres de phares	R
C1121	1:12 1941 SCALER MB - Enjoliveur de roue	R
C1122	1:12 1941 SCALER MB - Ensemble de siège	R
C1123	1:12 1941 SCALER MB - Cadre de pare-brise	R
C1124	1:12 1941 SCALER MB - Ensemble volant	R
C1125	1:12 1941 SCALER MB - Jeu de phare spot	R
C1126	1:12 1941 SCALER MB - Poignée	R
C1127	1:12 1941 SCALER MB - Set supports de capote	R
C1128	1:12 1941 SCALER MB - Jeu de leviers de vitesses	R
C1129	1:12 1941 SCALER MB - Jeu de pédales	R
C1130	1:12 1941 SCALER MB - Ensemble pelle et hache	R
C1131	1:12 1941 SCALER MB - Pack bidon d'essence	R
C1132	1:12 1941 SCALER MB - Tableau de bord	R
C1133	1:12 1941 SCALER MB - Pot d'échappement	R
C1134	1:12 1941 SCALER MB - Support de roue de secours	R
C1135	1:12 1941 SCALER MB - Verrou de capot	R
C1136	1:12 1941 SCALER MB - Pistolet compresseur	R
C1137	Boîte de transfert assemblée	R
C1138	1:12 1941 SCALER MB - Chape à rotule 4 mm	R
C1139	1:12 1941 SCALER MB - Cache servo	R
C1140	1:12 1941 SCALER MB - Radiateur	R
C1141	1:12 1941 SCALER MB - Jeu de tringleries de direction	R
C1142	1:12 1941 SCALER MB - Verrou de plaque acier	R
C1143	1:12 1941 SCALER MB - Amortisseur	R
C1144	1:12 1941 SCALER MB - Pièces plastique d'essieu arrière	R
C1145	1:12 1941 SCALER MB - Pièces plastique d'essieu avant	R
C1146	1:12 1941 SCALER MB - Jeu de roues	R
C1147	1:12 1941 SCALER MB - Pièces caoutchouc de boîte de transfert	R
C1148	1:12 1941 SCALER MB - Pièces caoutchouc de boîte de transmission	R
C1149	1:12 1941 SCALER MB - Boîtiers de direction	R
C1150	1:12 1941 SCALER MB - Jeu de palonniers de servos	R
C1151	1:12 1941 SCALER MB - Pignon	R
C1152	1:12 1941 SCALER MB - Palier	R
C1153	1:12 1941 SCALER MB - Crochet de remorque	R
C1154	1:12 1941 SCALER MB - Support de carrosserie	R
C1155	1:12 1941 SCALER MB - Verrou de banquette arrière	R
C1156	Ensemble boîte de transmission	R
C1157	1:12 1941 SCALER MB - Blindage de châssis	R

"R" pour pièce de rechange

"O" pour pièce optionnelle

Référence	Désignation	R/O
C1158	1:12 1941 SCALER MB - Ensemble différentiel	O
C1159	1:12 1941 SCALER MB - Jeu de pignons	R
C1160	1:12 1941 SCALER MB - Lames de ressorts arrière	R
C1161	1:12 1941 SCALER MB - Arbre de transmission CVD	R
C1162	Moteur 180 pour voiture 1/12	R
C1163	1:12 1941 SCALER MB - Vis	R
C1164	1:12 1941 SCALER MB - Vis écrou	R
C1165	1:12 1941 SCALER MB - Arbre de transmission métal CVD de roue avant	R
C1166	1:12 1941 SCALER MB - Arbre de transmission métal de roue arrière	R
C1167	1:12 1941 SCALER MB - Capote en tissus	O
C1168	Emetteur HT-TX02 2.4G & ensemble récepteur pour scaler	R
C1169	Emetteur HT-TX02 2.4G	R
C1170	1:12 1941 SCALER MB - Récepteur	R
C1171	1:12 1941 SCALER MB - Servo de direction	R
C1172	1:12 1941 SCALER MB - Servo de volant	R
C1173	1:12 1941 SCALER MB - Servo de changement de rapport	R
C1174	1:12 1941 SCALER MB - Fil de LED	R

"S" 为配件

"O" 为升级件

PART NUMBER	PRODUCT DESCRIPTION	S/O
C1110	1:12 1941 MB 攀登者 轮胎	S
C1111	1:12 1941 MB 攀登者 前保险杠	S
C1112	1:12 1941 MB 攀登者 后保险杠	S
C1113	1:12 1941 MB 攀登者 金属大梁	S
C1114	金属合页	S
C1115	1:12 1941 MB 攀登者 前钢板弹簧	S
C1116	1:12 1941 MB 攀登者 后视镜	S
C1117	1:12 1941 MB 攀登者 雨刷	S
C1118	1:12 1941 MB 攀登者 引擎盖	S
C1119	1:12 1941 MB 攀登者 车窗玻璃	S
C1120	1:12 1941 MB 攀登者 灯片	S
C1121	1:12 1941 MB 攀登者 芯盖	S
C1122	1:12 1941 MB 攀登者 座椅套装	S
C1123	1:12 1941 MB 攀登者 车窗架	S
C1124	1:12 1941 MB 攀登者 方向盘套装	S
C1125	1:12 1941 MB 攀登者 射灯胶件	S
C1126	1:12 1941 MB 攀登者 扶手	S
C1127	1:12 1941 MB 攀登者 车篷支架	S
C1128	1:12 1941 MB 攀登者 档杆	S
C1129	1:12 1941 MB 攀登者 踏板	S
C1130	1:12 1941 MB 攀登者 斧头及铲	S
C1131	1:12 1941 MB 攀登者 油桶	S
C1132	1:12 1941 MB 攀登者 仪表盘	S
C1133	1:12 1941 MB 攀登者 排气管	S
C1134	1:12 1941 MB 攀登者 备胎固定座	S
C1135	1:12 1941 MB 攀登者 车头盖配件	S
C1136	1:12 1941 MB 攀登者 油枪	S
C1137	分动箱成品	S
C1138	4MM 波帽	S
C1139	1:12 1941 MB 攀登者 舵机压板	S
C1140	1:12 1941 MB 攀登者 水箱	S
C1141	1:12 1941 MB 攀登者 转向杆	S
C1142	1:12 1941 MB 攀登者 钢板锁固件	S
C1143	1:12 1941 MB 攀登者 避振器	S
C1144	1:12 1941 MB 攀登者 后桥胶件	S
C1145	1:12 1941 MB 攀登者 前桥胶件	S
C1146	1:12 1941 MB 攀登者 车轮组	S
C1147	1:12 1941 MB 攀登者 分动箱胶件	S
C1148	1:12 1941 MB 攀登者 变速箱胶件	S
C1149	1:12 1941 MB 攀登者 C座	S
C1150	1:12 1941 MB 攀登者 摇臂套装	S
C1151	1:12 1941 MB 攀登者 电机齿	S
C1152	轴套	S
C1153	1:12 1941 MB 攀登者 车钩	S
C1154	1:12 1941 MB 攀登者 车壳固定件	S
C1155	1:12 1941 MB 攀登者 后座钩	S
C1156	变速箱箱总成	S
C1157	1:12 1941 MB 攀登者 底盘护板	S

"S" 为配件

"O" 为升级件

PART NUMBER	PRODUCT DESCRIPTION	S/O
C1158	1:12 1941 MB 攀登者 差速器套装	O
C1159	1:12 1941 MB 攀登者 齿轮套装	S
C1160	1:12 1941 MB 攀登者 后钢板弹簧	S
C1161	万向转动轴总成	S
C1162	180电机	S
C1163	1:12 1941 MB 攀登者 螺丝套装	S
C1164	1:12 1941 MB 攀登者 螺母	S
C1165	1:12 1941 MB 攀登者 前轮CVD金属驱动轴	S
C1166	1:12 1941 MB 攀登者 后轮金属传动轴	S
C1167	1:12 1941 MB 攀登者 车篷	O
C1168	HT-TX02 2.4G + 攀登者 接收板	S
C1169	HT-TX02 2.4G	S
C1170	1:12 1941 MB 攀登者 接收板	S
C1171	1:12 1941 MB 攀登者 转向舵机	S
C1172	1:12 1941 MB 攀登者 方向盘舵机	S
C1173	1:12 1941 MB 攀登者 换档舵机	S
C1174	1:12 1941 MB 攀登者 灯线	S

ROBOHOBBY

MADE IN CHINA
CE   FC