




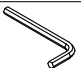








# ASSEMBLY INSTRUCTIONS

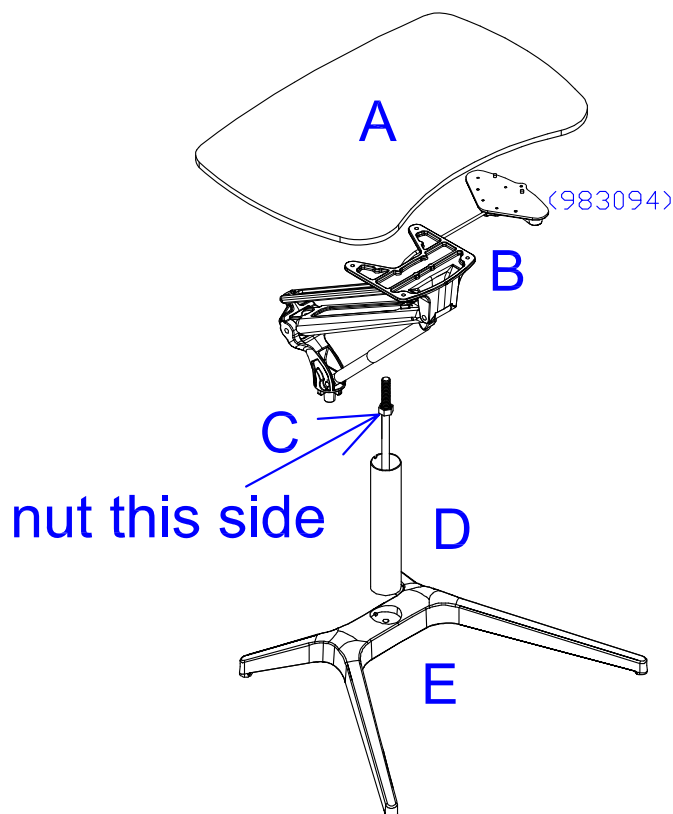


DANISH DESIGN

Thank you for purchasing Unique products! We trust you will be satisfied with it for many years to come. Before you discard the packing material and start assembly, please take time to identify all hardware and parts needed for completion. As you unpack, please place all parts on a clean carpeted or padded area to avoid accidental damage.

HARDWARE	MODEL NO.		
	208		
 983094 with brake	a x 2	 983014	g x 1
 983095	b x 2	 983093	$\frac{7}{8}$ " h x 3
$\varnothing 10$  690003	c x 1	 690004	i x 1
$\varnothing 10$  983076	d x 1	$\varnothing 8$  983096	j x 4
 983058	$\frac{4}{5}$ " e x 4	$\varnothing 8$  983097	k x 4
 983008	f x 1	 983056	m x 1

## PARTS LIST AND INSTRUCTIONS



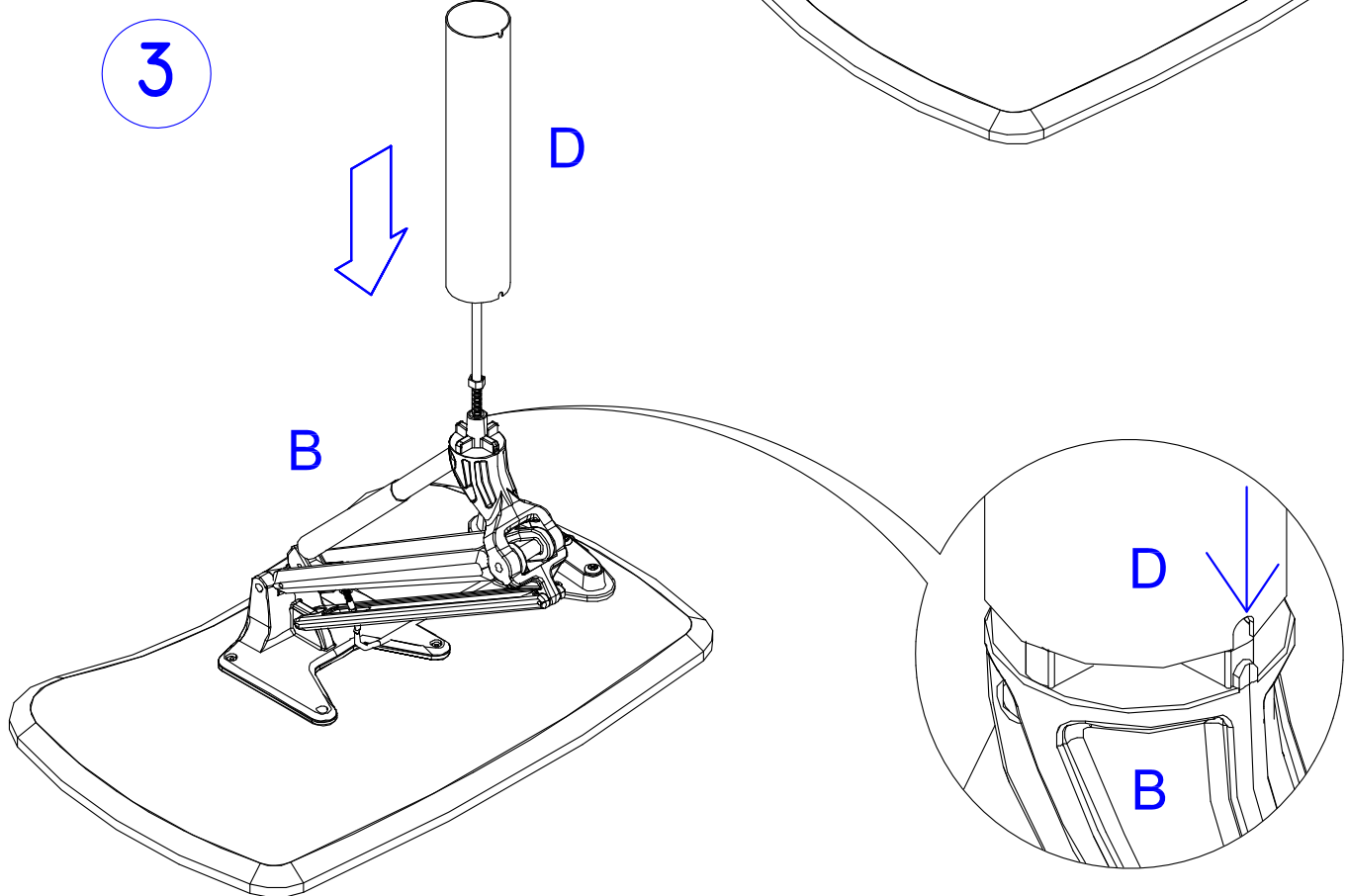
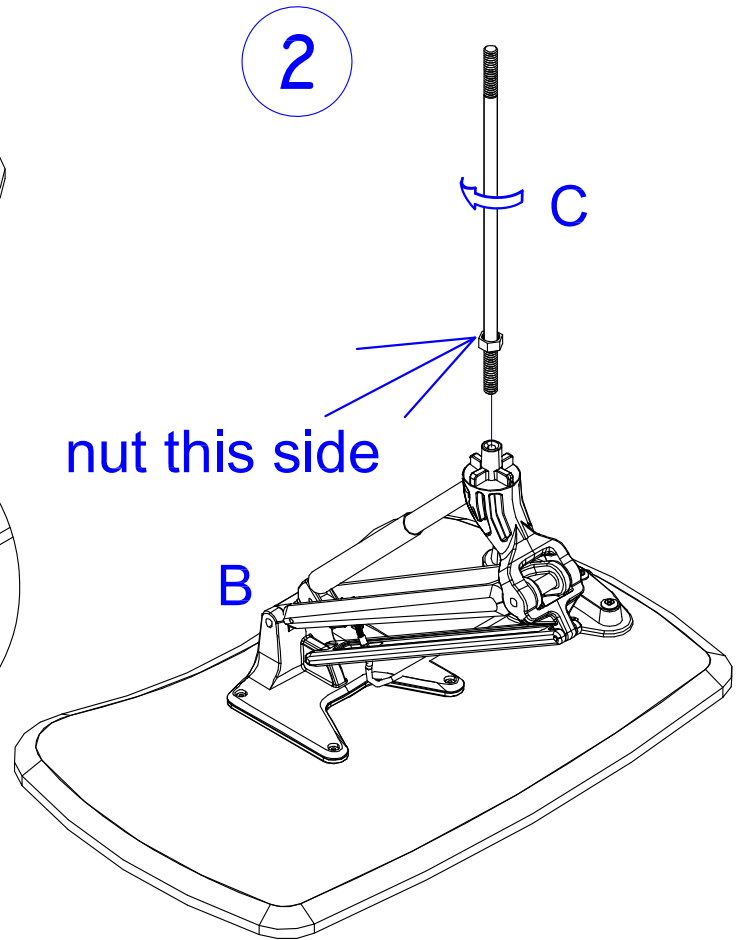
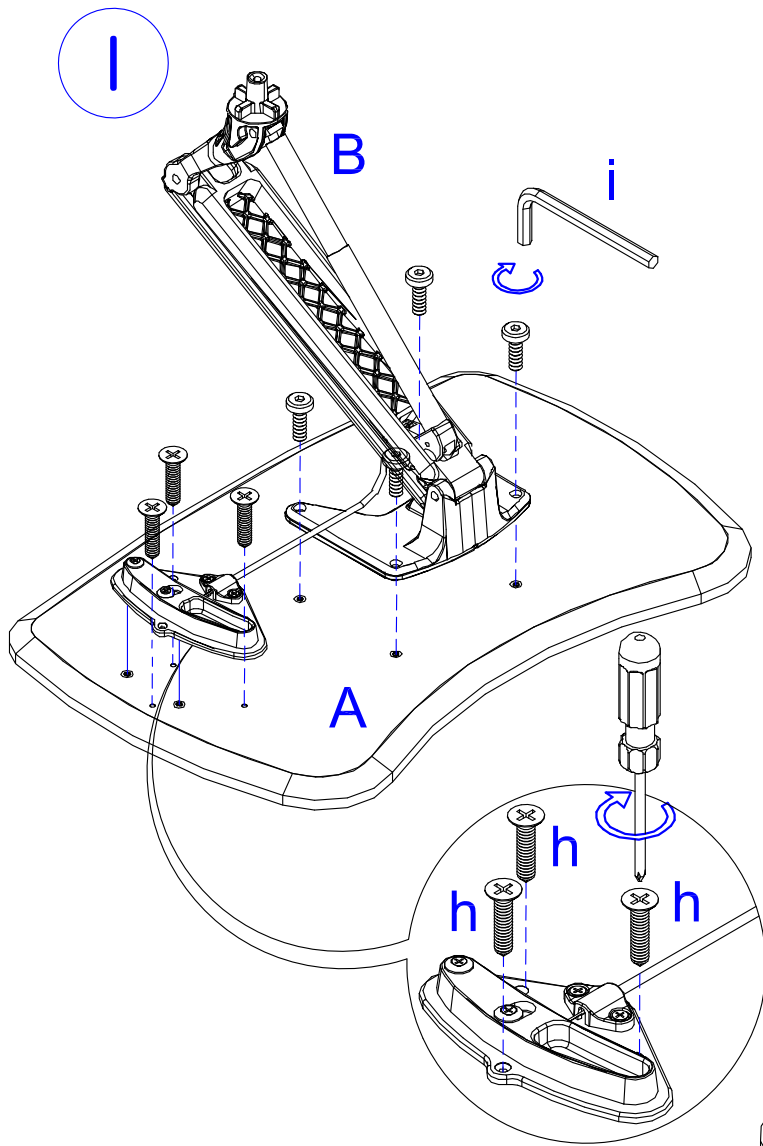
### Maintenance!

Melamine & Lacquer surfaces: Clean using a mild non detergent soap solution and wipe off excess with a dry soft cloth. Avoid placing sharp items directly on surface.

Aluminum and other metal parts: Clean using a mild non detergent soap solution and wipe off with a clean damp cloth. Use rubbing alcohol for stubborn stains.

Never use solvents for cleaning furniture.

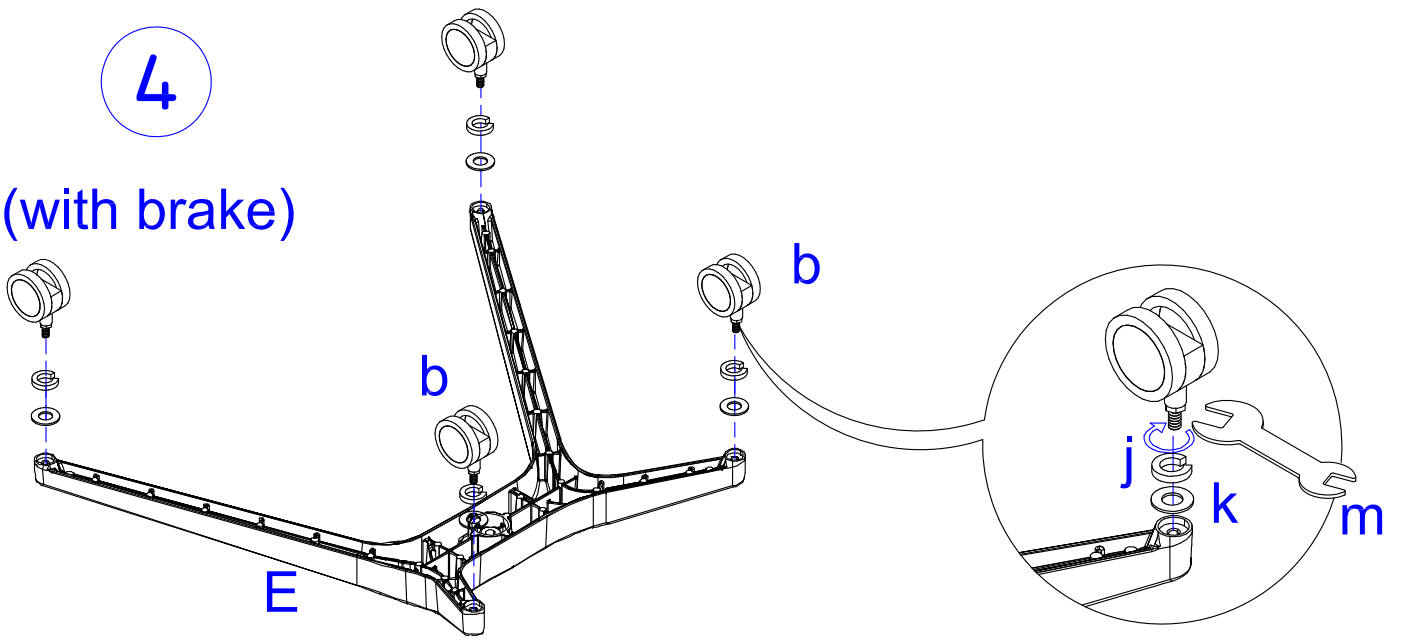
Location: Avoid placing furniture in moist areas or in direct sunlight.



a(with brake)

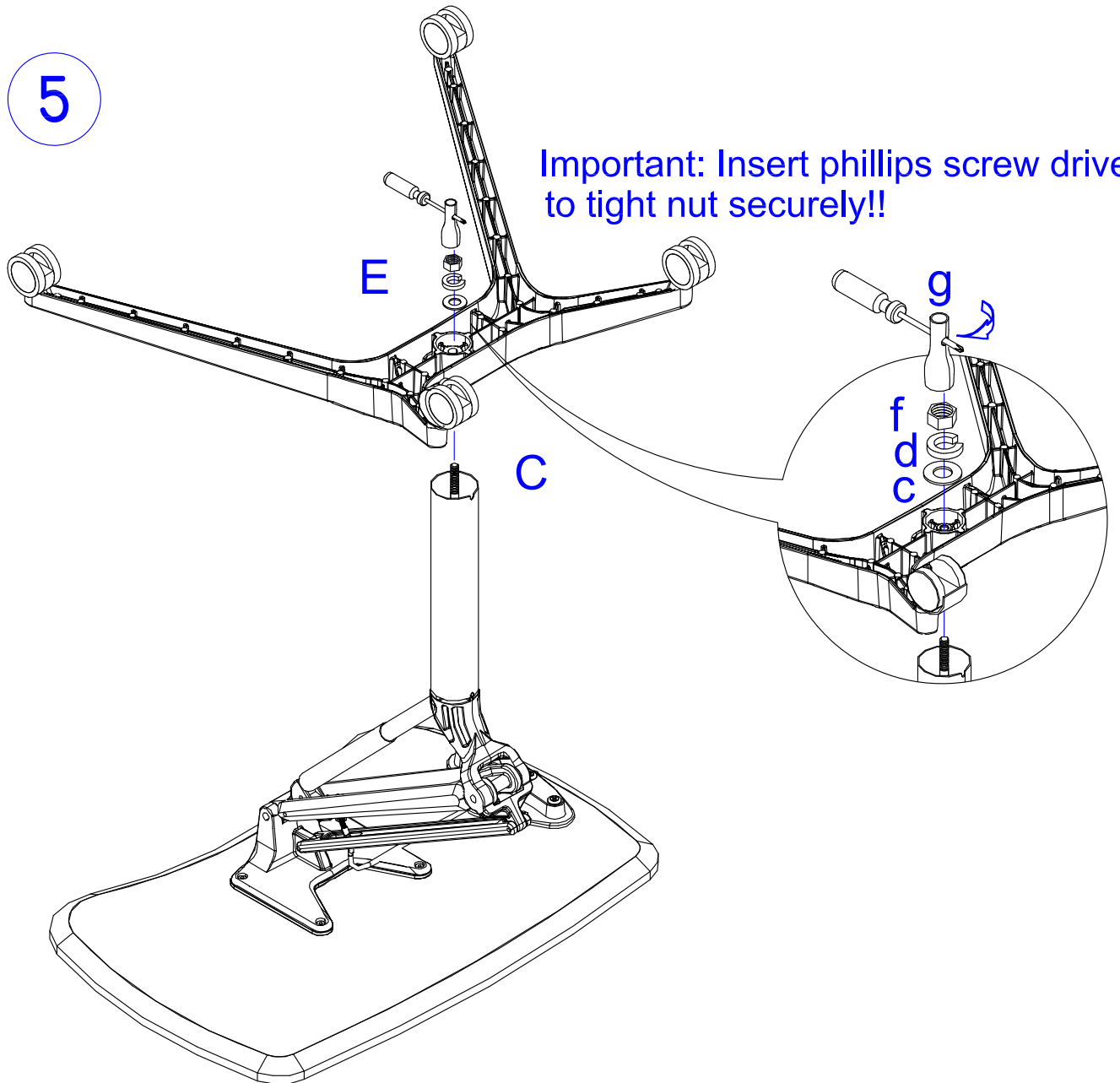
4

a(with brake)

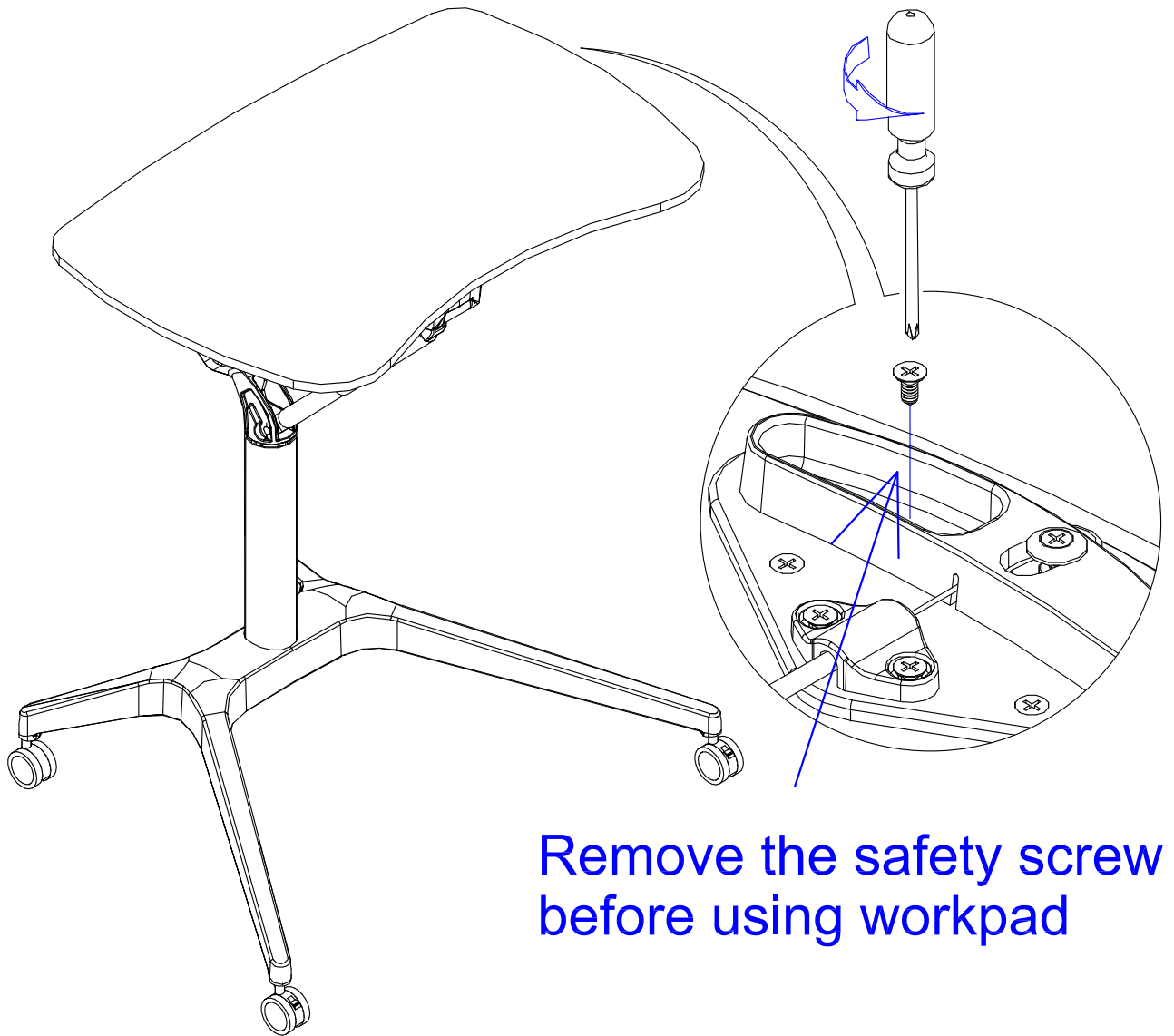


5

Important: Insert phillips screw driver to tight nut securely!!

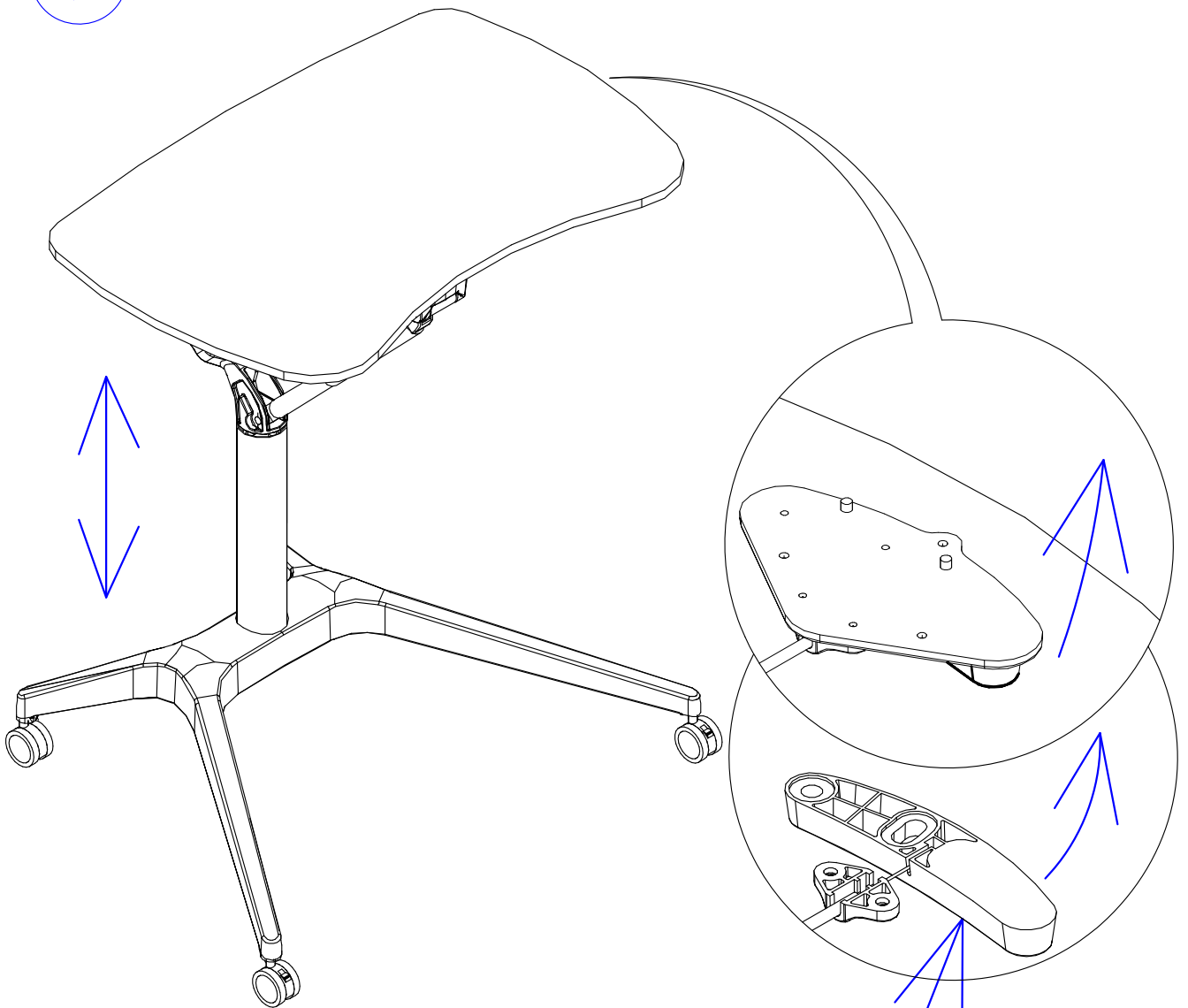


6



Remove the safety screw  
before using workpad

7



To raise table: Pull the handle out !

To lower table: Pull the handle out and push down on table top simultaneously !