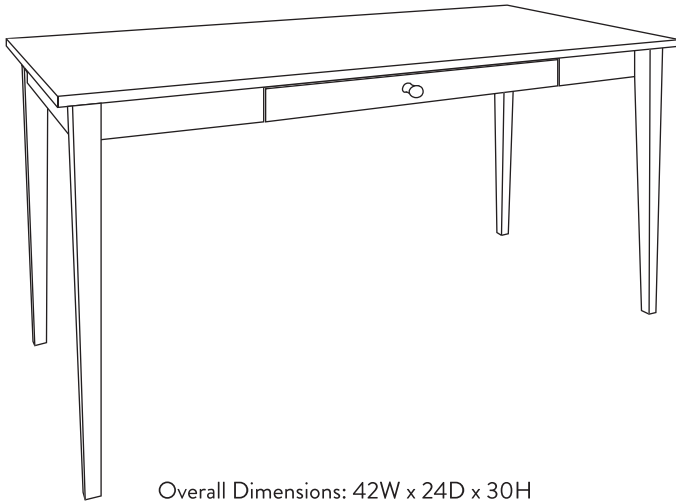


Shaker Writing Desk



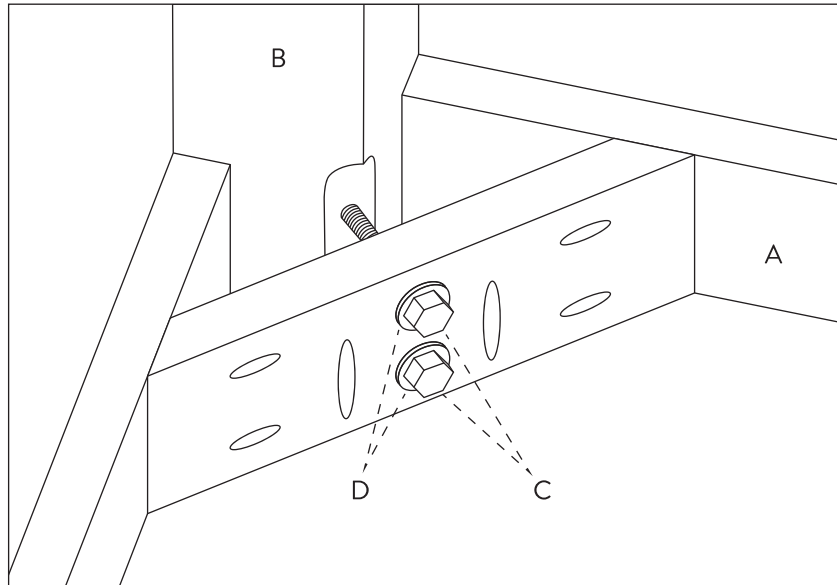
Overall Dimensions: 42W x 24D x 30H

The Shaker Writing Desk is an American-made classic in solid cherry wood, built to last for generations. Each desk is meticulously crafted in the USA using Amish furniture-making techniques and individually signed by the builder.

PARTS		Quantity
A	Desk Top with Drawer	1 piece
B	Legs	4 pieces

HARDWARE		Quantity
C	Bolts	8 pieces
D	Washers	8 pieces

ADDITIONAL TOOLS REQUIRED:
 $\frac{7}{16}$ " socket wrench recommended.



Carefully place all components on a rug, towel, blanket or other protective surface.

ONE STEP – ATTACH THE LEGS

- Place Desk Top (A) top down on a rug or carpeted surface.
- Attach each Leg (B) to an open corner with 2 Bolts (C) and 2 Washers (D).
- Screw in both Bolts. Do not over-tighten.

Congratulations. Your desk is ready to enjoy.

Visit Levenger.com to read customer reviews of this product, or to write your own. We invite you to sign up for Levenger e-mails to receive exclusive offers and preview new products. To place an order, visit us online or call us.

LEVENGER®

Solutions for Readers, Writers & Thinkers

Levenger.com 800-544-0880

 [Facebook.com/Levenger](https://www.facebook.com/Levenger)
 [@levenger](https://www.instagram.com/levenger)
 [@levenger](https://www.twitter.com/levenger)