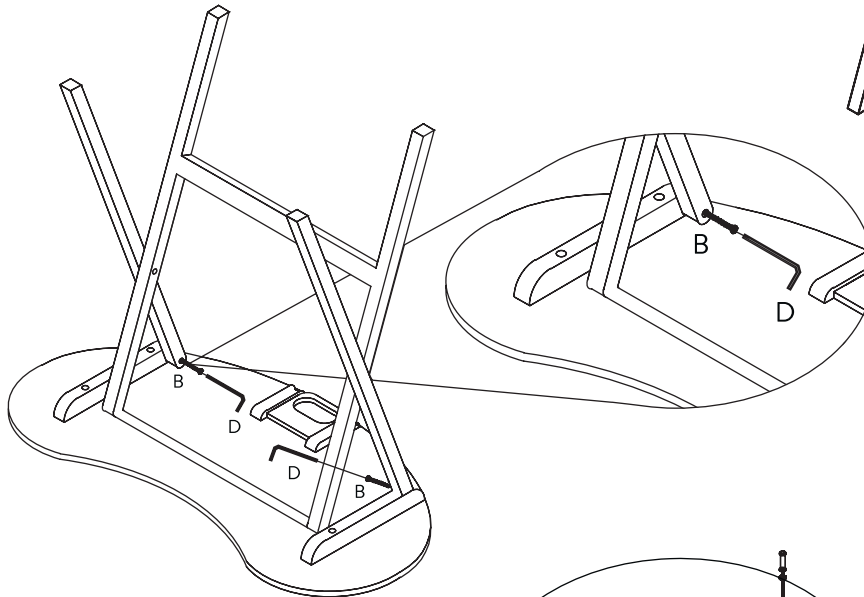
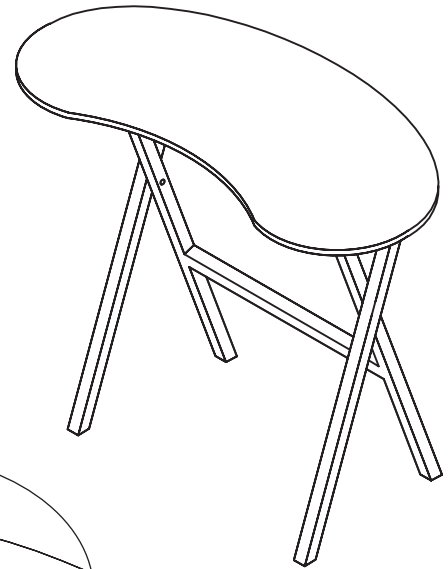


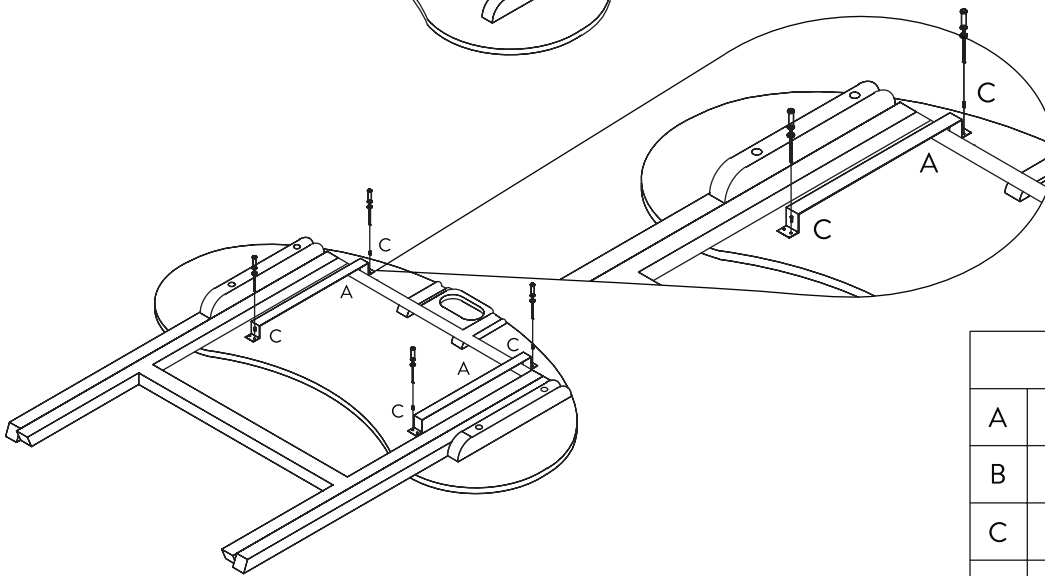
# No-Room Hideaway Desk

Meet the portable desk that allows you to work comfortably in any room. Create an instant workspace with the desk you can put together easily, just about anywhere. It stands at 28 ¾" high, with plenty of space to move your legs around or for your favorite chair. The sturdy 15" surface effortlessly holds your laptop, a mouse pad, a notebook, and a book. It takes little assembly to get started and can be folded for ease of storage and portability.







## STEP 1:

Attach legs with 2 large screws (B) with the provided allen wrench (D)



## STEP 2:

Attach bracket (A) with 8 small screws (C) in the predrilled holes with Phillips screwdriver (not included)

HARDWARE		Quantity
A		2 pieces
B		2 pieces
C		8 pieces
D		1 piece

Visit [Levenger.com](http://Levenger.com) to read customer reviews of this product, or to write your own. We invite you to sign up for Levenger e-mails to receive exclusive offers and preview new products. To place an order, visit us online or call us.

## LEVENGER®

Solutions for Readers, Writers & Thinkers

Levenger.com 800-544-0880

 [Facebook.com/Levenger](https://www.facebook.com/Levenger)  [@levenger](https://www.instagram.com/@levenger)  [@levenger](https://www.twitter.com/@levenger)