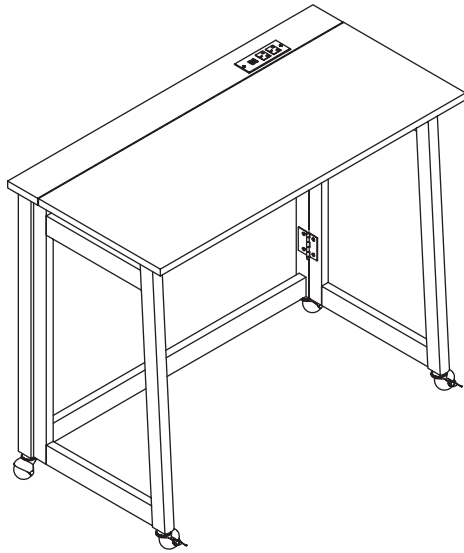


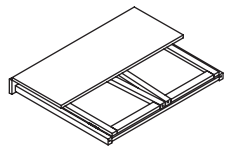
# No-Room Folding Tech Desk







Set up shop anywhere with this rolling workstation that glides smoothly into place, then folds up neatly for easy storage. The ultra-slim 4¼" folded width lets you tuck it into a closet or under a bed.

Overall Dimensions:  
36"W x 17⅞"D x 28¾"H

Input/Entrée/Entrada 125V, 60Hz, 12A, 1500W  
Output/Sortie/Salida 5VDC MAX, 2.1A

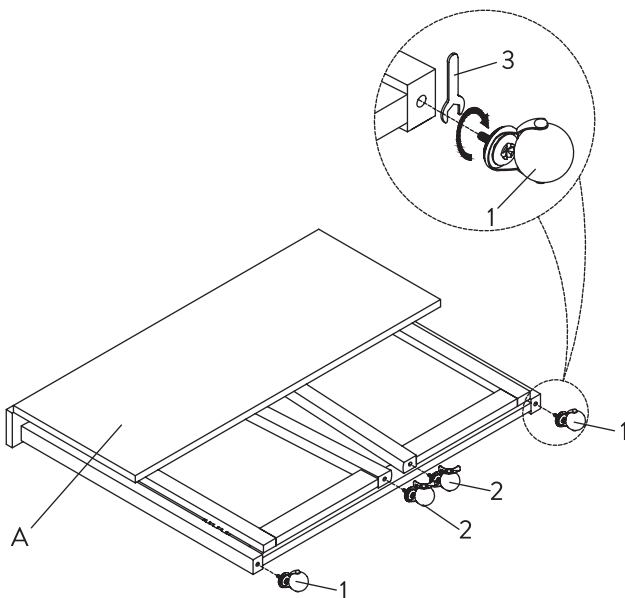
PARTS			Quantity
A	Desk		1 piece

HARDWARE			Quantity
1	Caster		2 pieces
2	Caster With Brake		2 pieces
3	Open Wrench		1 piece
4	Hand Nut		2 pieces

*Carefully place all components on a rug, towel, blanket or other protective surface.*

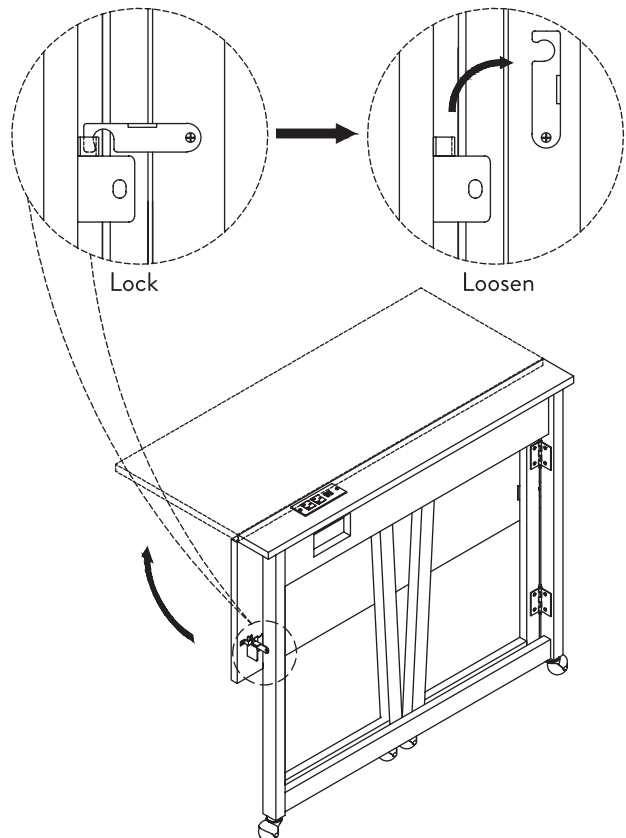
## STEP 1

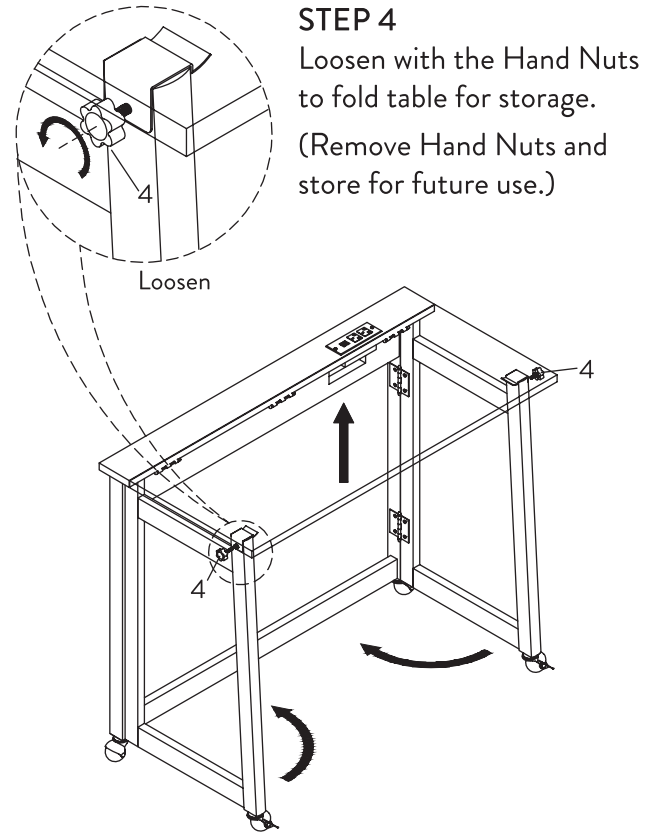
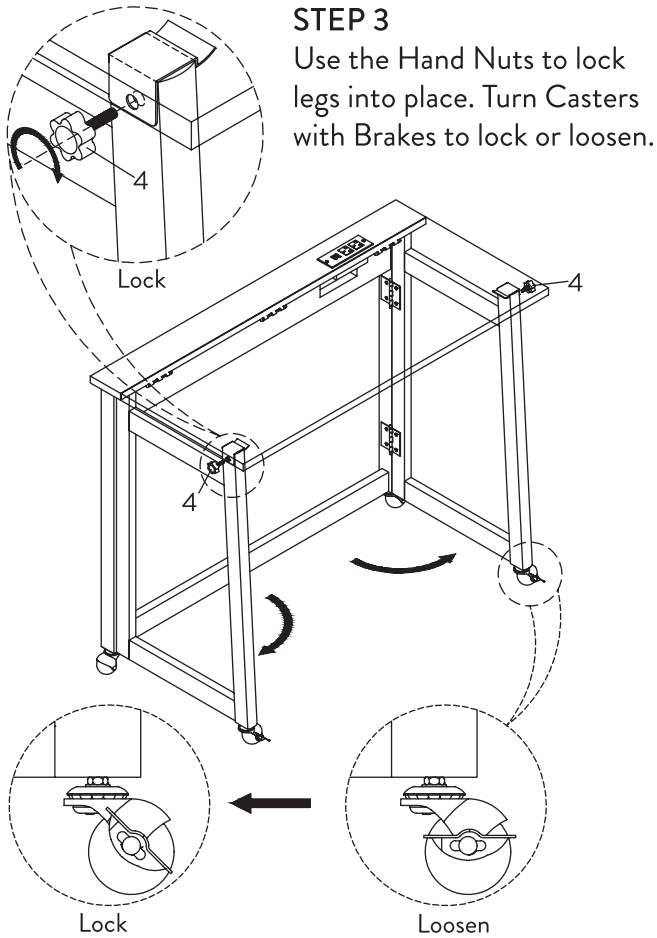
Using the Open Wrench, attach the Casters and Casters with Brakes.



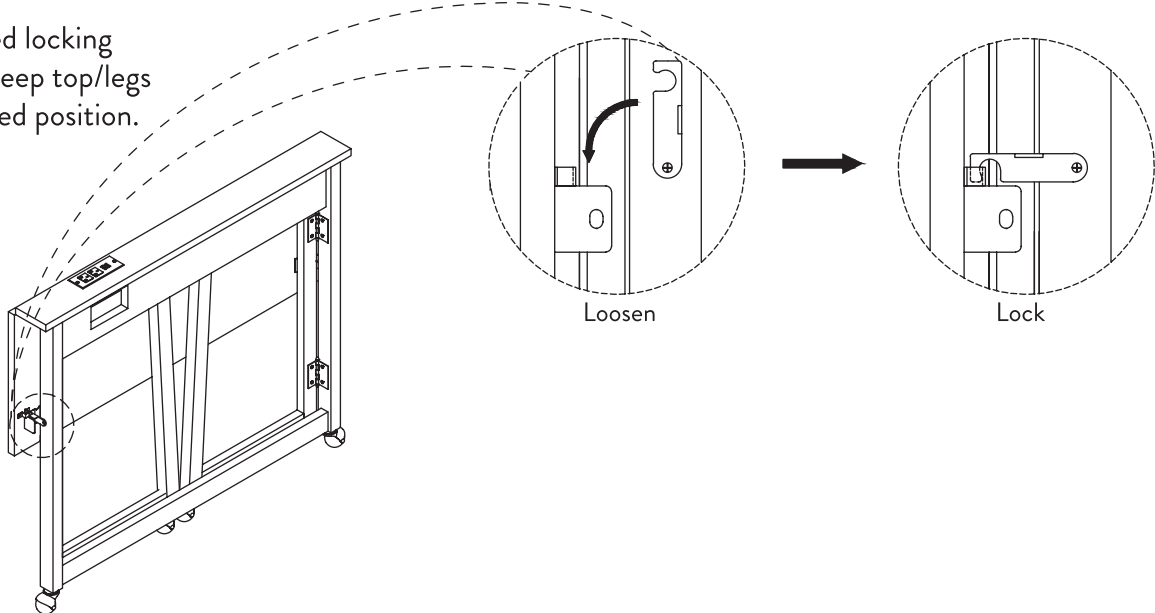
## STEP 2

Pull up lock to loosen and slide legs to sides.





**STEP 5**  
Use the attached locking mechanism to keep top/legs together in folded position.



Visit [Levenger.com](http://Levenger.com) to read customer reviews of this product, or to write your own. We invite you to sign up for Levenger e-mails to receive exclusive offers and preview new products. To place an order, visit us online or call us.

**LEVENGER**<sup>®</sup>  
Solutions for Readers, Writers & Thinkers  
[Levenger.com](http://Levenger.com) 800-544-0880

 [Facebook.com/Levenger](https://www.facebook.com/Levenger)  [@levenger](https://www.instagram.com/levenger)  [@levenger](https://www.twitter.com/levenger)