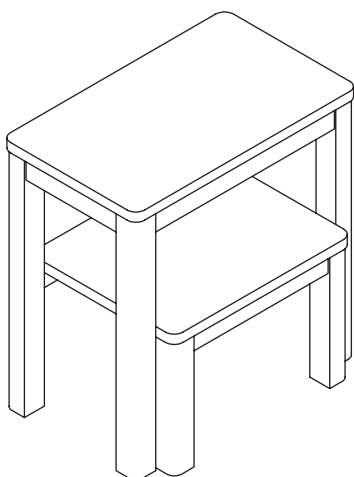
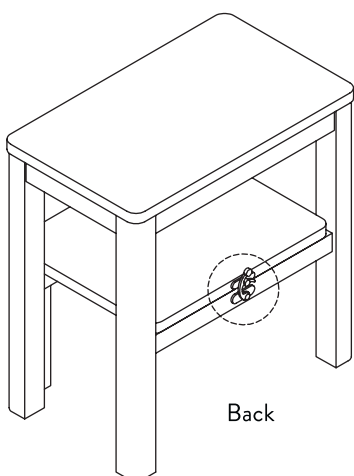


# No-Room Convertible Step Stool



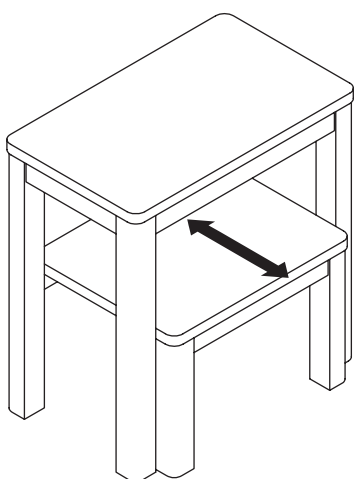
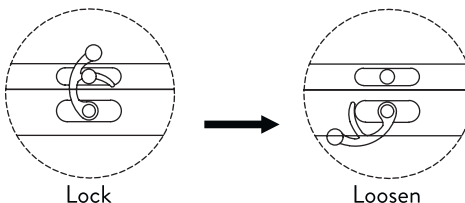
Crafted in solid wood, this versatile little wonder is handy to have around the home or office. Use it as a mini end table or for extra seating, or undo the brass lock to convert to a two-step stool.

Overall Dimensions: 17 $\frac{3}{4}$ W x 12D x 18 $\frac{1}{2}$ H; 13.2 pounds



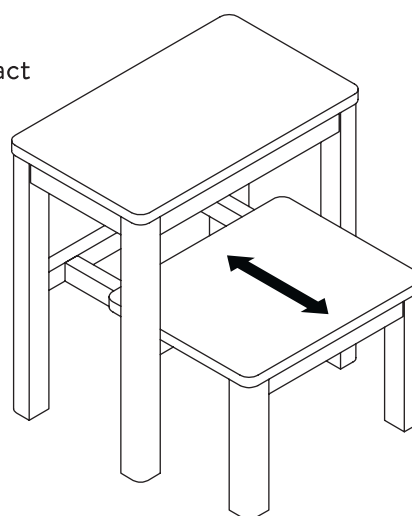
## STEP 1

Use the brass lock in back to lock in place or loosen to reposition.



## STEP 2

Unlock to extend or retract the bottom step.



Visit [Levenger.com](https://Levenger.com) to read customer reviews of this product, or to write your own. We invite you to sign up for Levenger e-mails to receive exclusive offers and preview new products. To place an order, visit us online or call us.

# LEVENGER<sup>®</sup>

Solutions for Readers, Writers & Thinkers

Levenger.com 800-544-0880

 [Facebook.com/Levenger](https://Facebook.com/Levenger)  [@levenger](https://@levenger)  [@levenger](https://@levenger)