

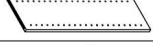

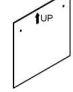






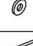





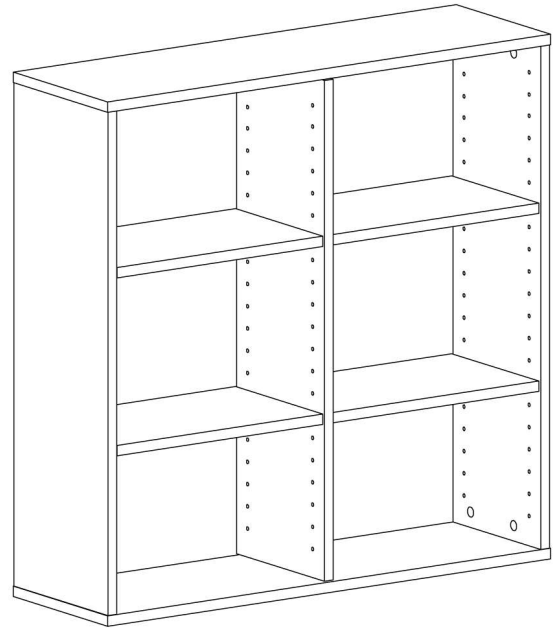
Levenger Medium BookBox

Parts List

Item	Description	QTY
A	Top/Bottom Panel 	2
B	Side Panel 	2
C	Long Shelf 	1
D	Short Shelf 	4
E	Back Panel 	1

Hardware List

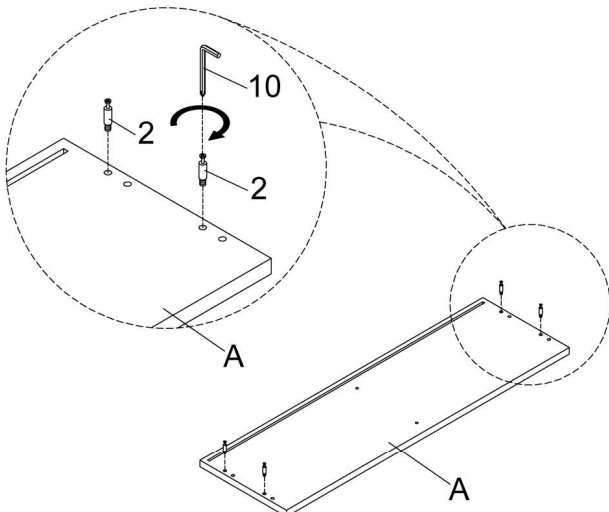
Item	Description	QTY
1	Cam Lock 	8
2	Cross Dowel 	8
3	Wood Dowel 	8
4	Shelf Bracket 	10
5	Long Screw M4*38mm 	2
6	Short Screw M4*15mm 	4
7	Flat Washer 	2
8	Bracket 	2
9	Plastic Anchor 	2
10	Screw Driver 	1



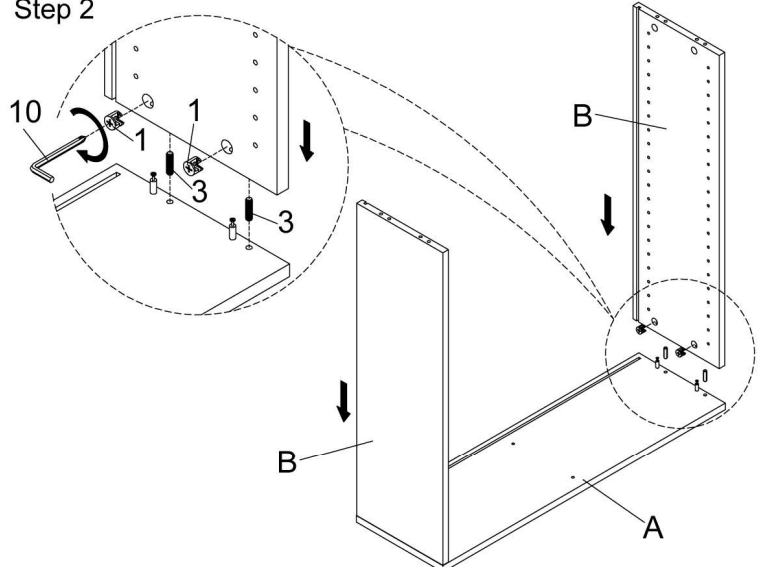
Overall Dimension: 29.75"W x 9"D x 29.75"H

- 1. CAREFULLY PLACE ALL COMPONENTS ON A RUG, TOWEL, BLANKET OR OTHER PROTECTIVE SURFACE.**
- 2. IT IS RECOMMENDED THAT THIS BE ASSEMBLED BY 2 PEOPLE, AS IT IS HEAVY.**

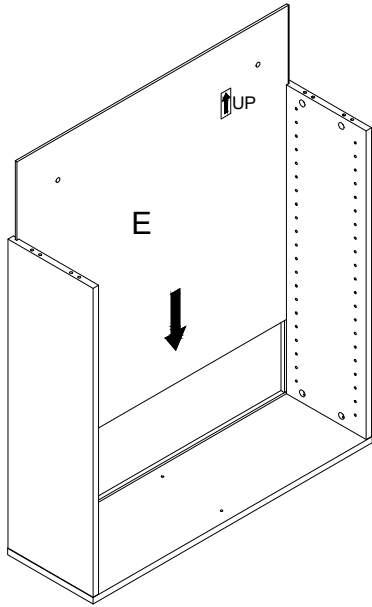
Step 1



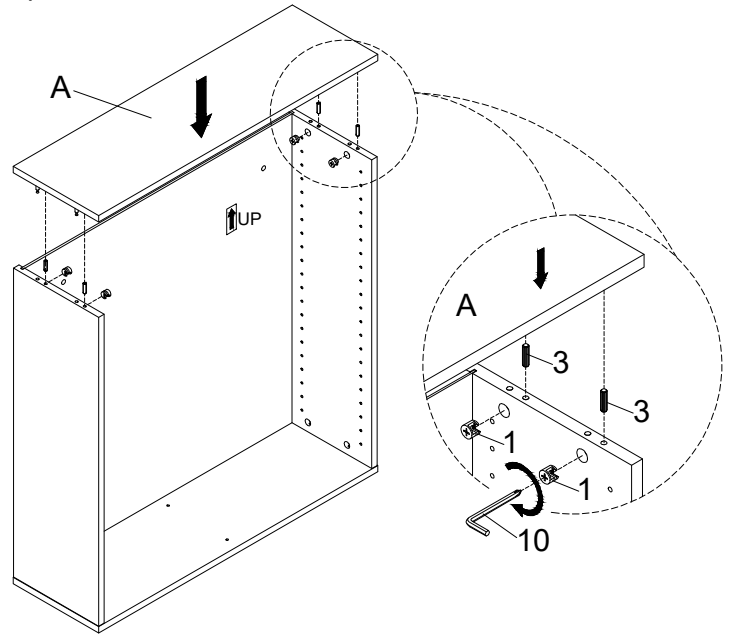
Step 2



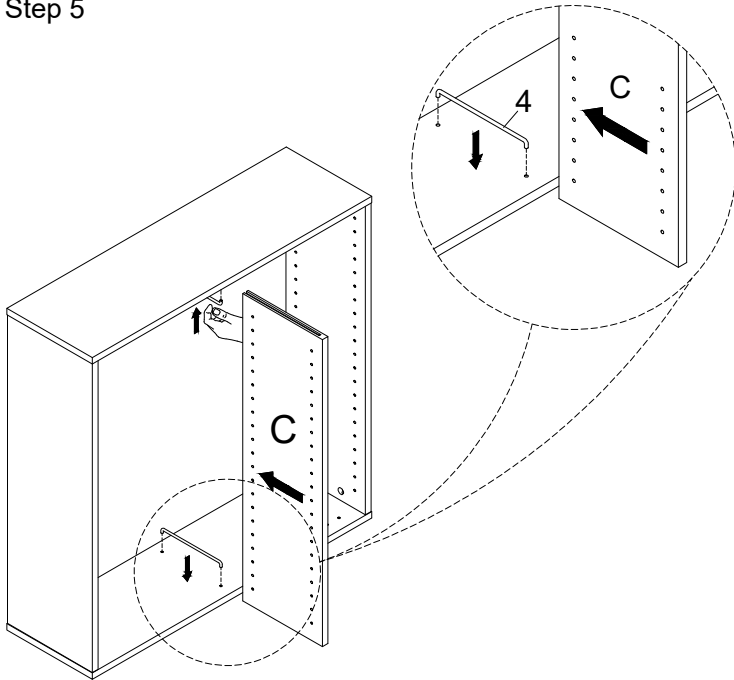
Step 3



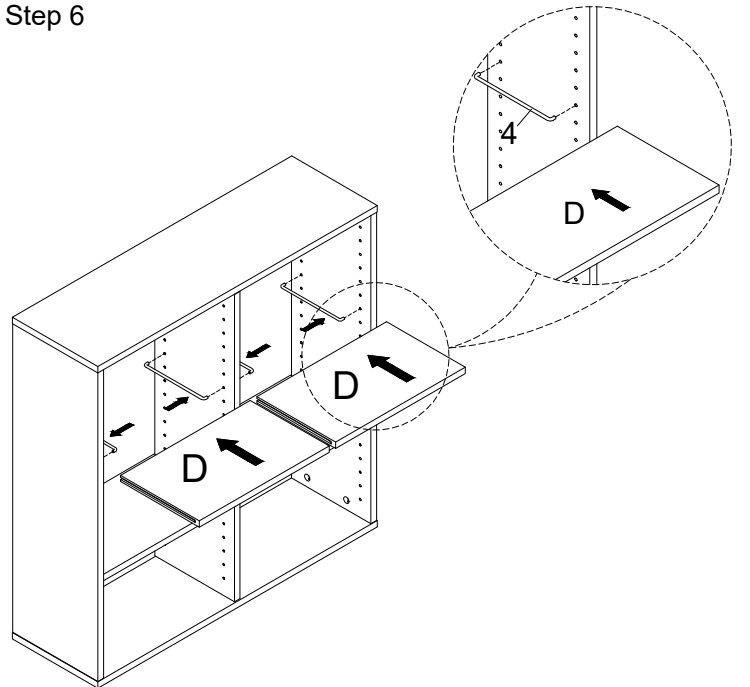
Step 4



Step 5

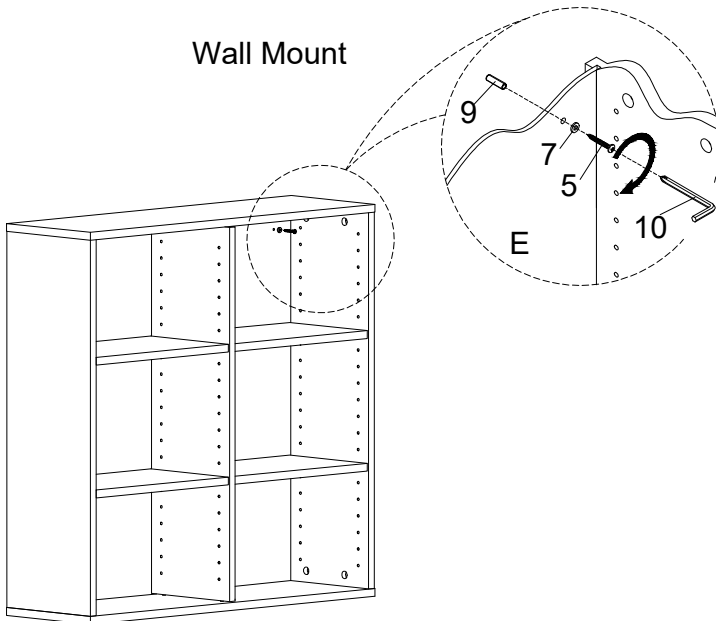


Step 6

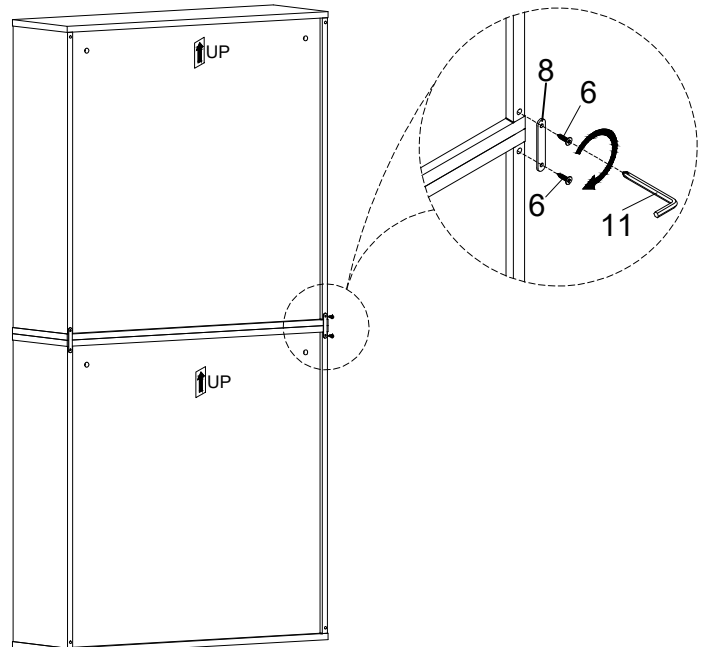


Step 7

Wall Mount



Optional for stackable function No more than 2 tiers.





WARNING



Children have died from furniture tipover. To reduce the risk of furniture tipover:

- ALWAYS install tipover restraint provided.
- NEVER put a TV on this product.
- NEVER allow children to stand, climb or hang on drawers, doors, or shelves.
- NEVER open more than one drawer at a time.
- Place heaviest items in the lowest drawers.



This is a permanent label. Do not remove!